



US00D819166S

(12) **United States Design Patent**
Servant

(10) **Patent No.:** **US D819,166 S**

(45) **Date of Patent:** **** May 29, 2018**

(54) **FISHING LURE TAIL**

(71) Applicant: **Matthew Servant**, El Cajon, CA (US)

(72) Inventor: **Matthew Servant**, El Cajon, CA (US)

(**) Term: **15 Years**

(21) Appl. No.: **29/565,490**

(22) Filed: **May 20, 2016**

(51) **LOC (11) Cl.** **22-05**

(52) **U.S. Cl.**
USPC **D22/132**

(58) **Field of Classification Search**
USPC D22/126, 127, 128, 129, 130, 131, 132,
D22/133; D11/140

CPC A01K 85/00
See application file for complete search history.

(56) **References Cited**

U.S. PATENT DOCUMENTS

6,857,220 B2 * 2/2005 King A01K 85/00
43/42.24

D684,655 S * 6/2013 Matson D22/129
D774,621 S * 12/2016 Rye D22/126
2015/0128478 A1 * 5/2015 Huddleston A01K 85/02
43/42.39

* cited by examiner

Primary Examiner — Karen S Acker

Assistant Examiner — Steven B Reinholdt, Jr.

(74) *Attorney, Agent, or Firm* — Coastal Patent Law
Group, P.C.

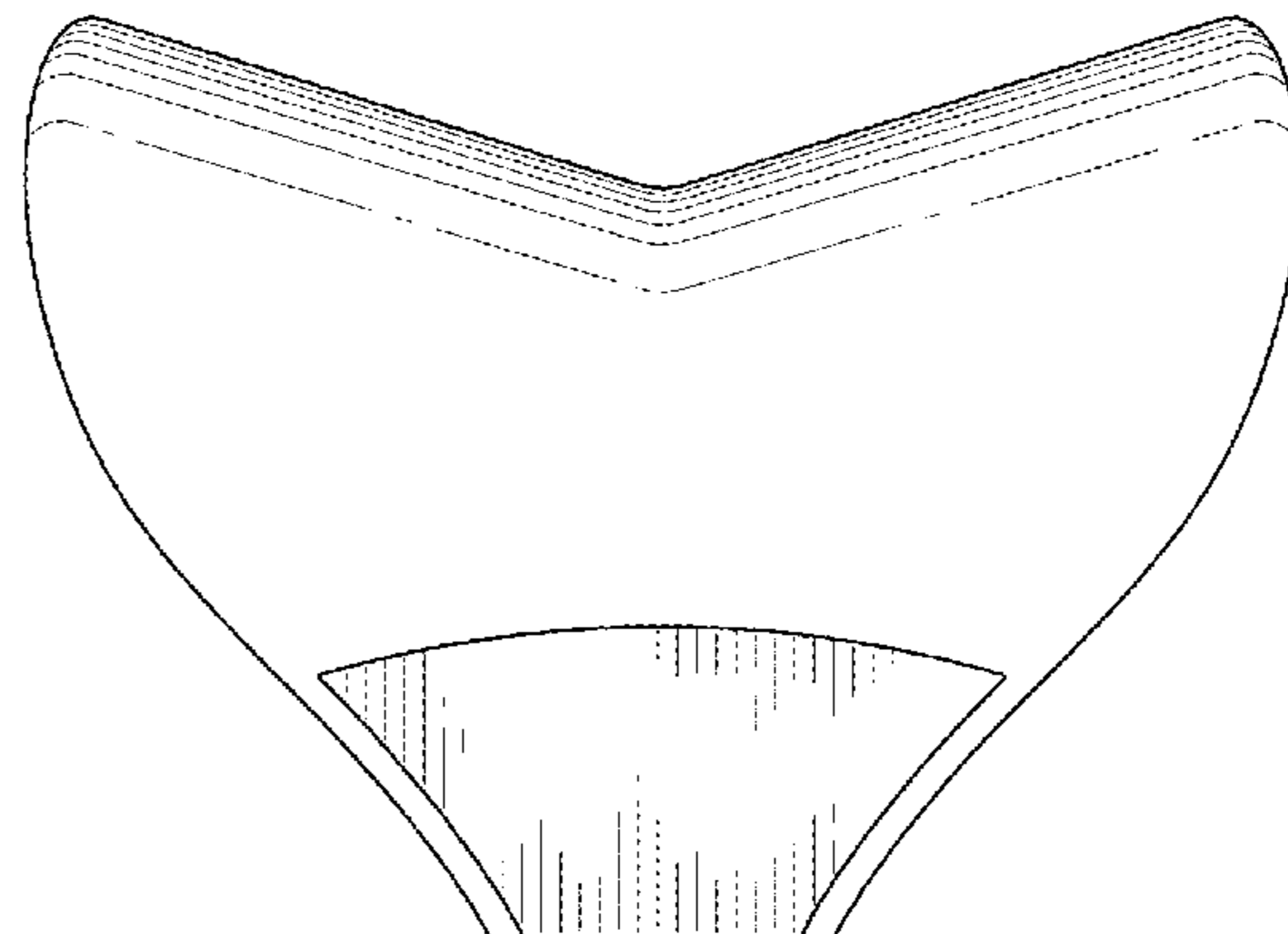
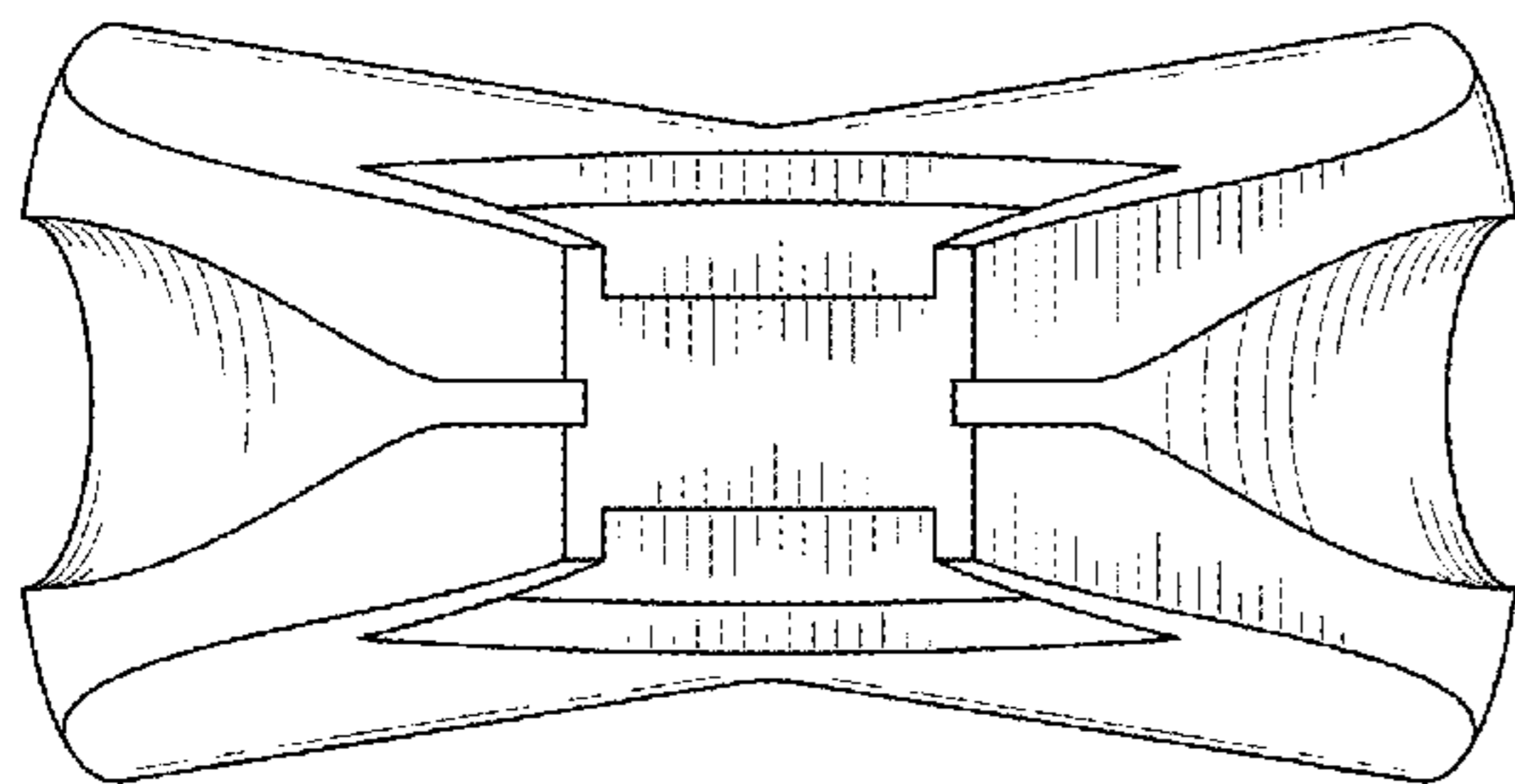
(57) **CLAIM**

I claim the ornamental design for a fishing lure tail, as shown
and described.

DESCRIPTION

FIG. 1 shows a front view of the fishing lure tail;
FIG. 2 shows a rear view of the fishing lure tail;
FIG. 3 shows a right view of the fishing lure tail;
FIG. 4 shows a left view of the fishing lure tail;
FIG. 5 shows a top view of the fishing lure tail; and,
FIG. 6 shows a bottom view of the fishing lure tail.
The drawings illustrate a fishing lure tail which forms a
portion of a fishing lure.

1 Claim, 3 Drawing Sheets



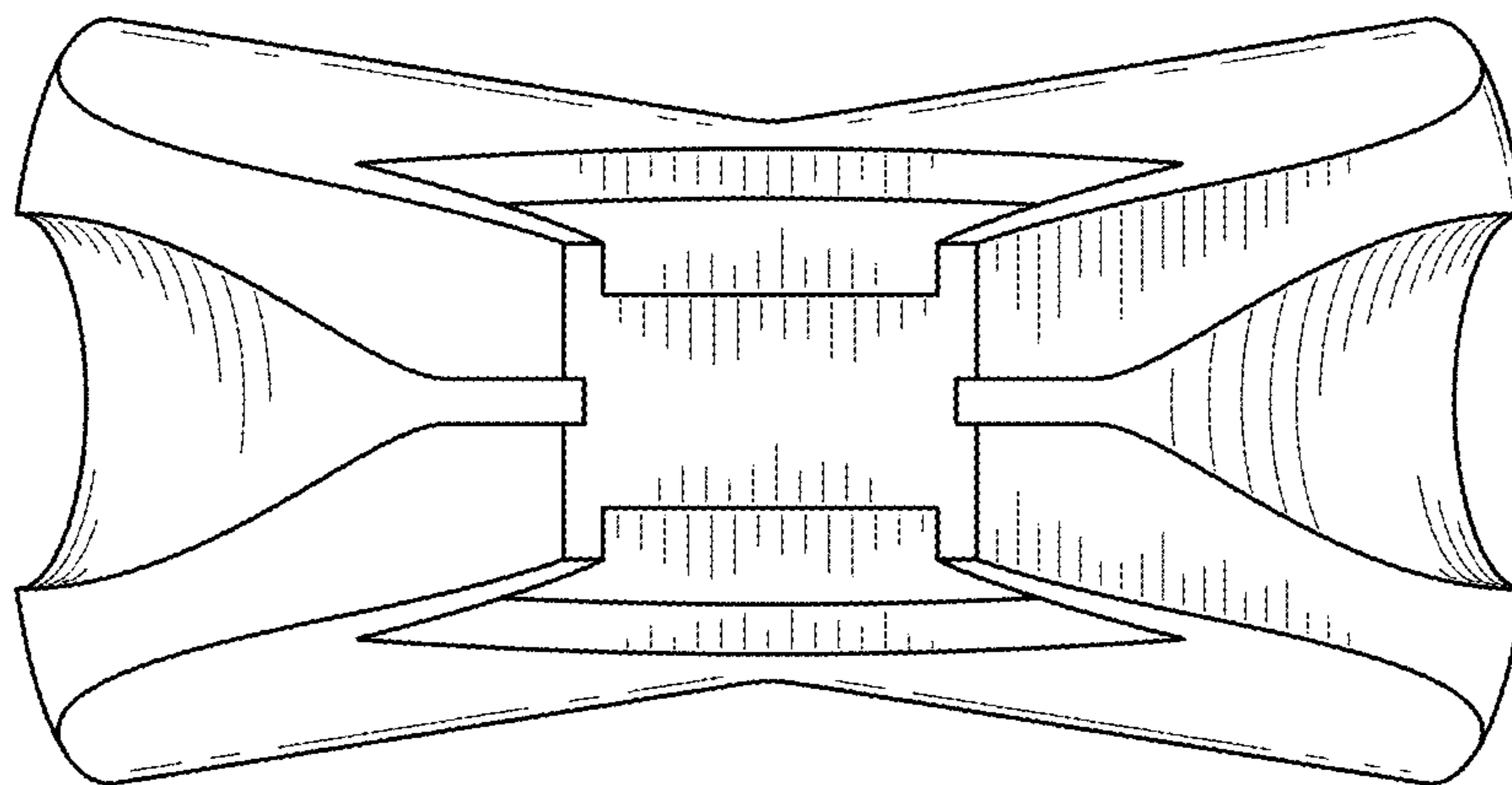


FIG. 1

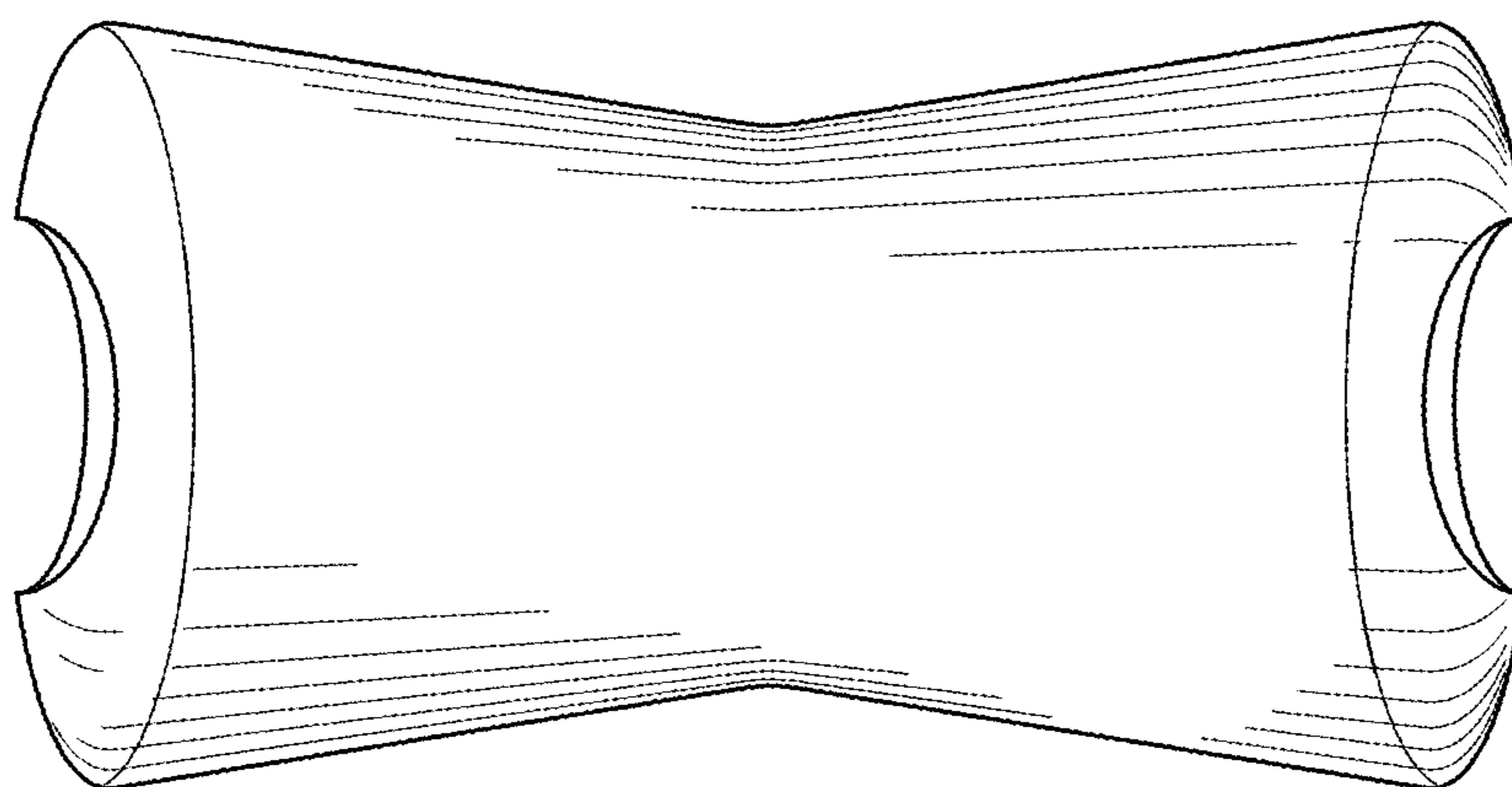


FIG. 2

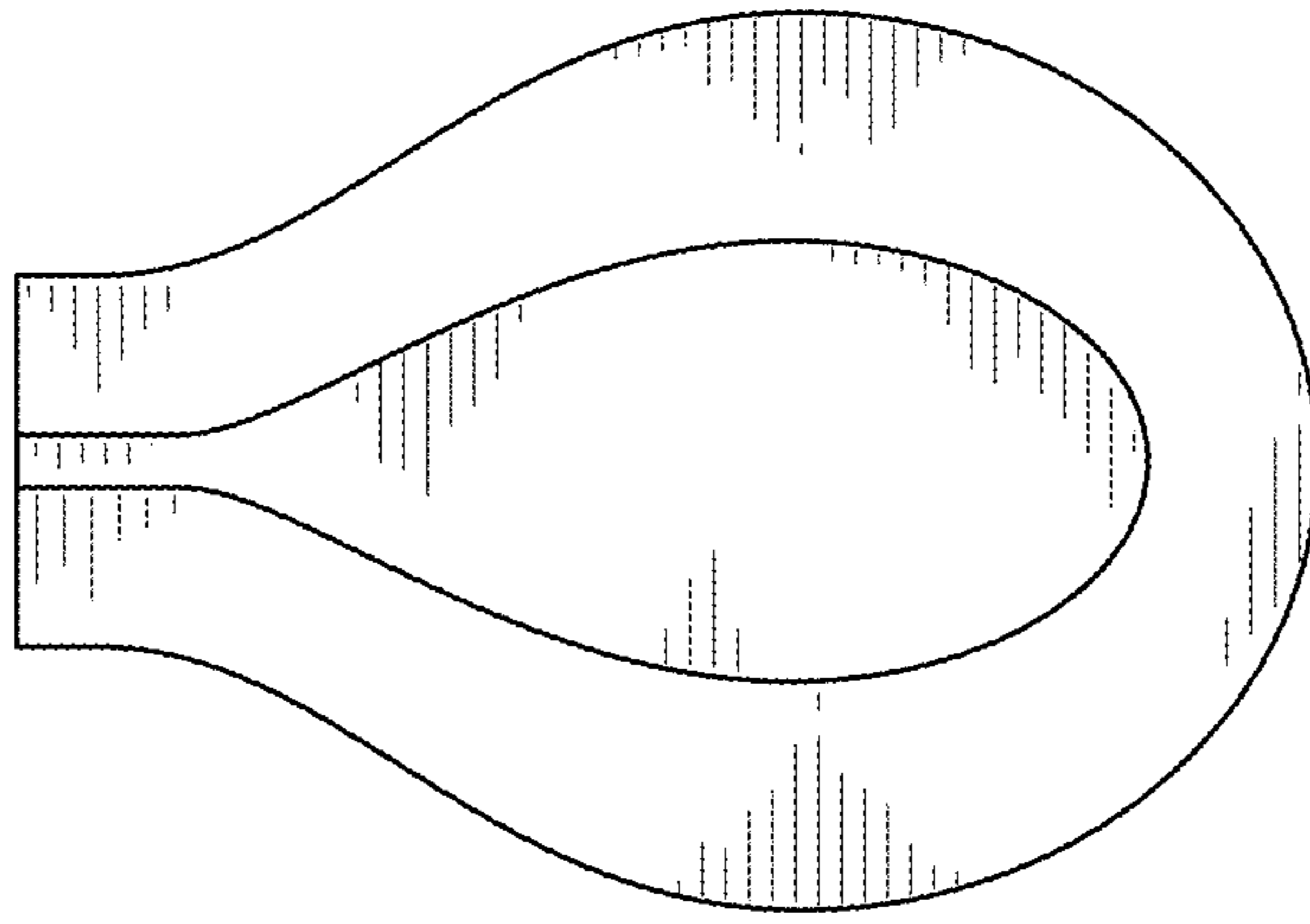


FIG.3

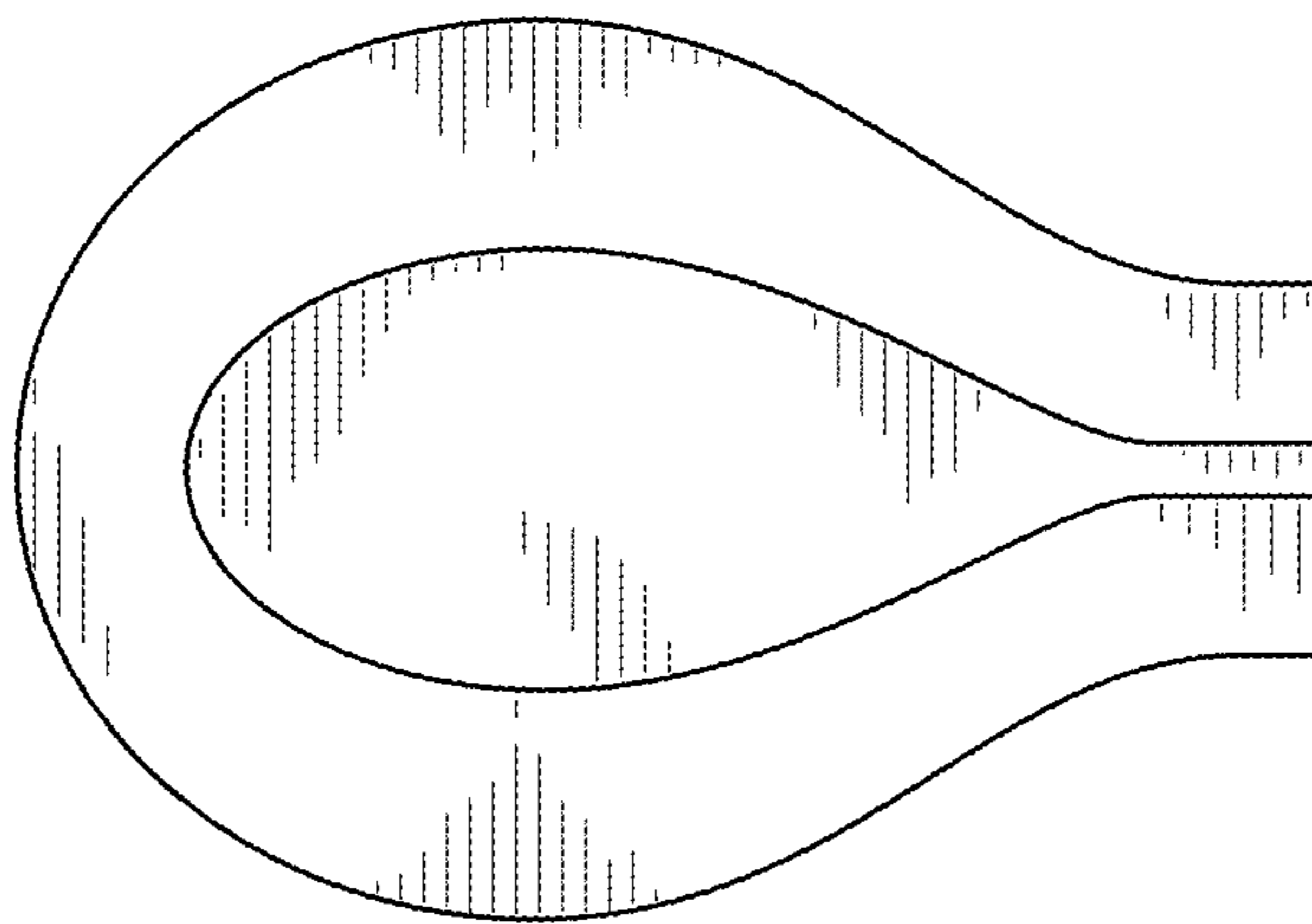


FIG.4

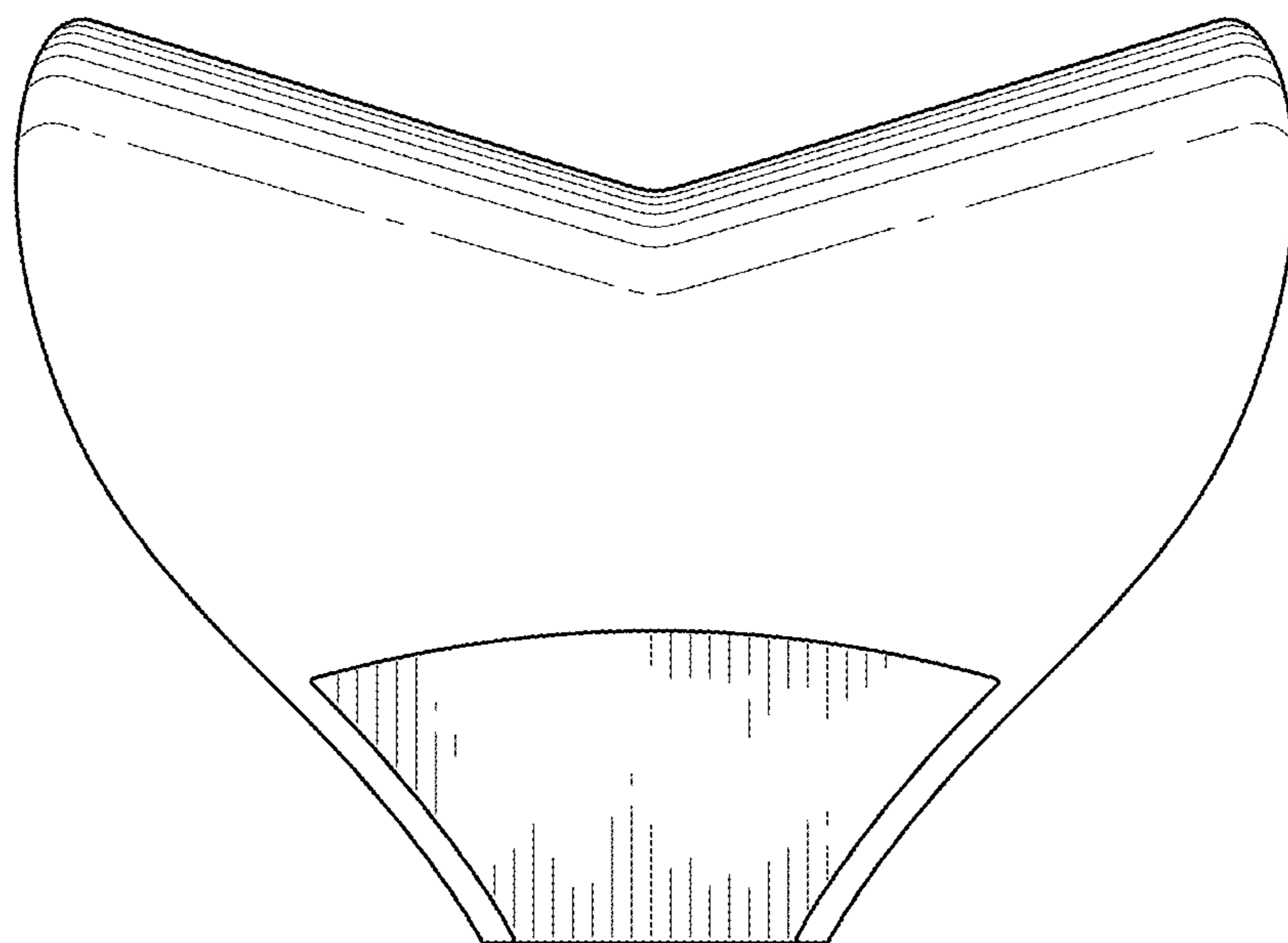


FIG. 5

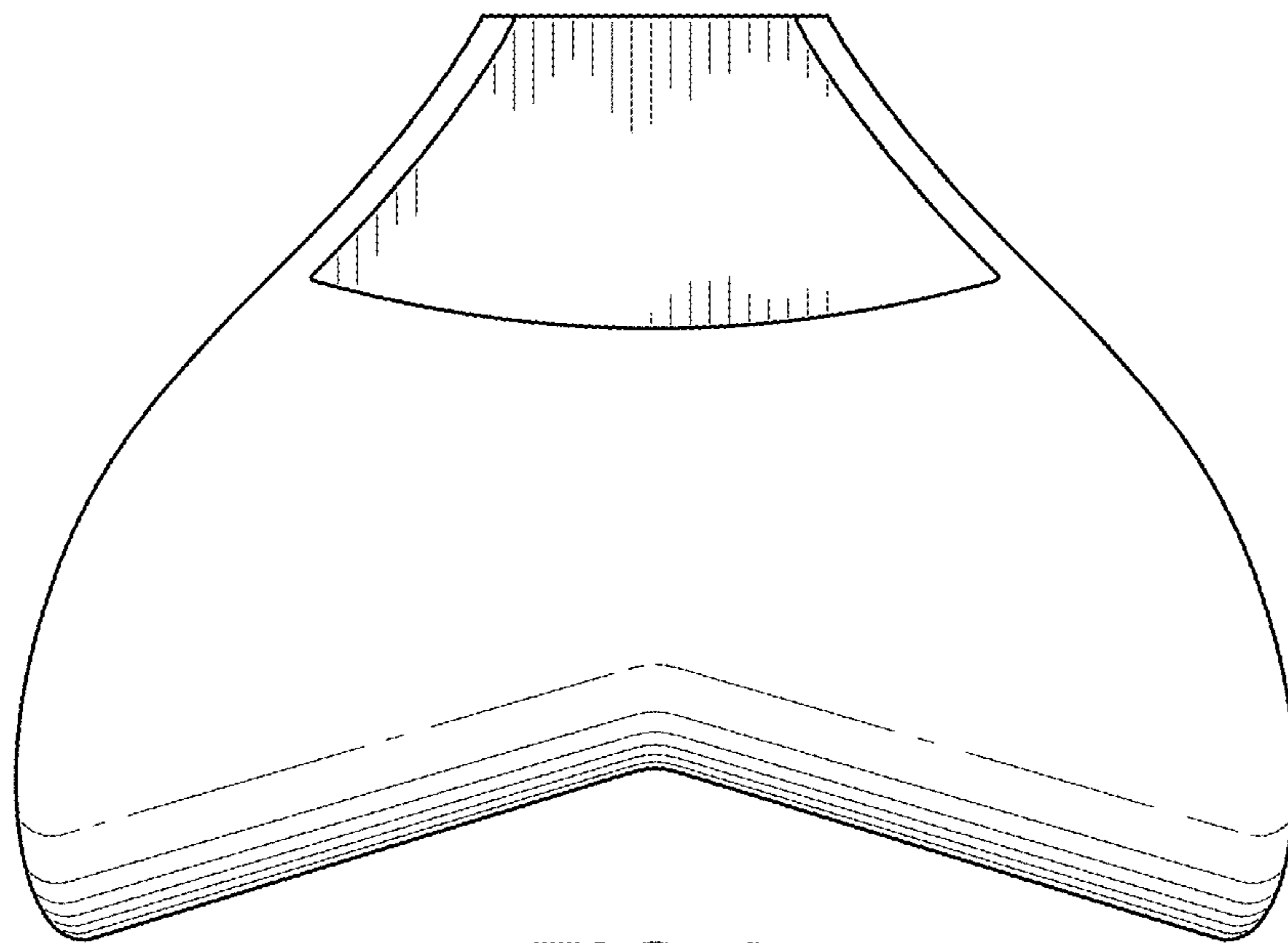


FIG. 6