



US00D819164S

(12) **United States Design Patent** (10) **Patent No.:** **US D819,164 S**
Geissele (45) **Date of Patent:** **** May 29, 2018**

- (54) **FIREARM SCOPE MOUNT**
- (71) Applicant: **WHG Properties, LLC**, North Wales, PA (US)
- (72) Inventor: **William H. Geissele**, Lower Gwynedd, PA (US)
- (73) Assignee: **WHG Properties, LLC**, North Wales, PA (US)
- (**) Term: **15 Years**
- (21) Appl. No.: **29/576,604**
- (22) Filed: **Sep. 6, 2016**

Related U.S. Application Data

- (62) Division of application No. 29/527,424, filed on May 19, 2015, now Pat. No. Des. 779,623.
- (51) **LOC (11) Cl.** **22-01**
- (52) **U.S. Cl.**
USPC **D22/110**
- (58) **Field of Classification Search**
USPC D22/108-111; D21/761
CPC F41G 11/00; F41G 11/001; F41G 11/003;
F41G 11/004
See application file for complete search history.

(56) **References Cited**

U.S. PATENT DOCUMENTS

D1,760 S *	5/1863	Starr	D21/761
773,813 A *	11/1904	Saegmuller		
1,181,831 A *	5/1916	Browne	A63C 1/32
				280/11.18
2,642,291 A *	6/1953	Condon	A63C 3/12
				280/825
D212,690 S *	11/1968	Kuharsky, Jr.	D22/110
D239,114 S *	3/1976	Kraai	D22/109
4,014,148 A *	3/1977	Harter	E04D 3/3607
				52/403.1

D255,140 S *	5/1980	Weast	D22/110
D265,920 S *	8/1982	Bechtel	D22/109
4,509,282 A *	4/1985	McMillon	F41G 11/003
				42/124

(Continued)

OTHER PUBLICATIONS

30mm Cantilever Rifle scope mount, posted at ebay, posting date Jul. 23, 2014. [online], [site visited Nov. 25, 2017]. Available from Internet, <URL: <https://www.ebay.com/itm/30mm-Cantilever-Rifle-scope-mount-fits-leupold-weaver-vortex-nikon-PEPR-308-223-/161372612539>>.*

(Continued)

Primary Examiner — Kevin K Rudzinski

Assistant Examiner — Kathleen Jones

(74) *Attorney, Agent, or Firm* — Fox Rothschild LLP

(57) **CLAIM**

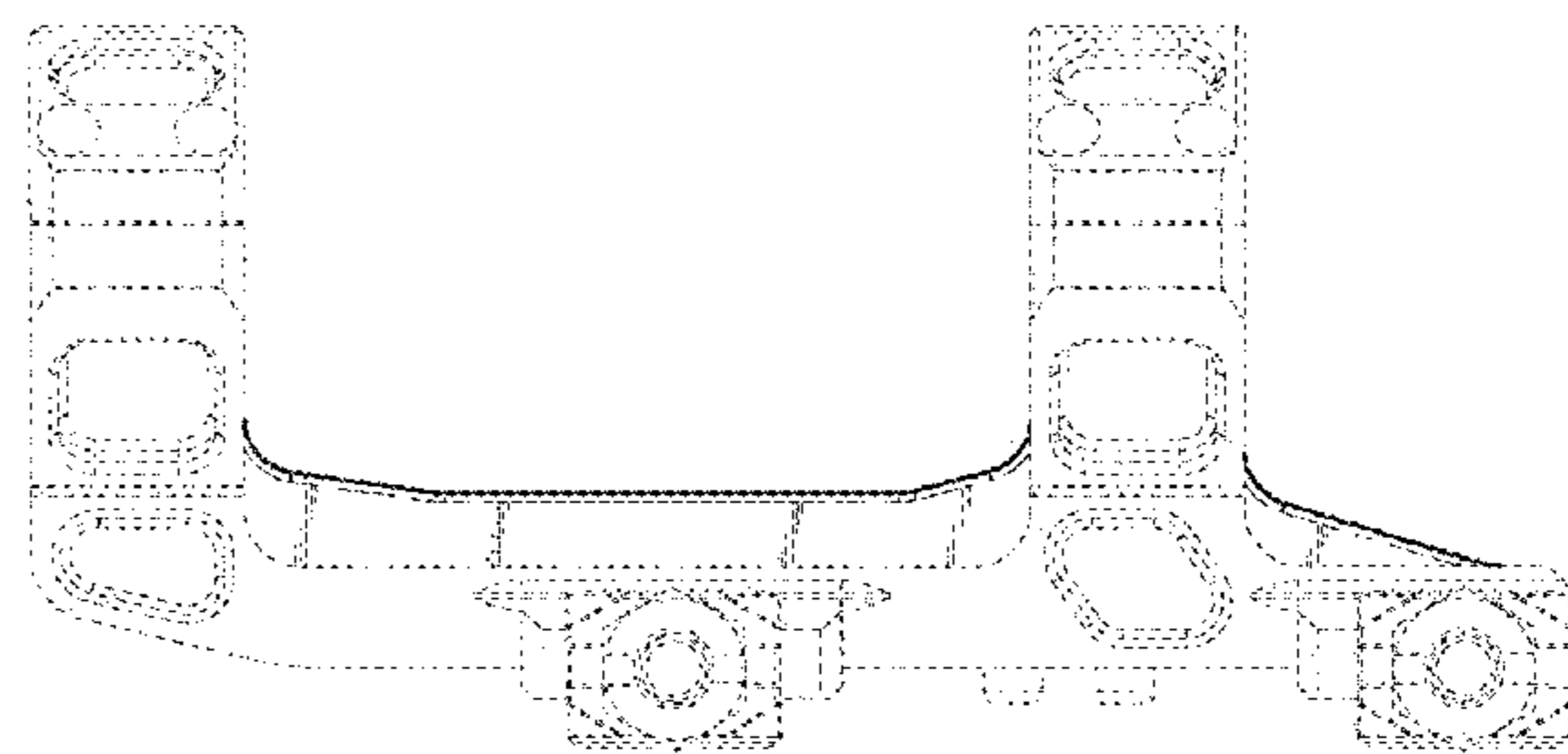
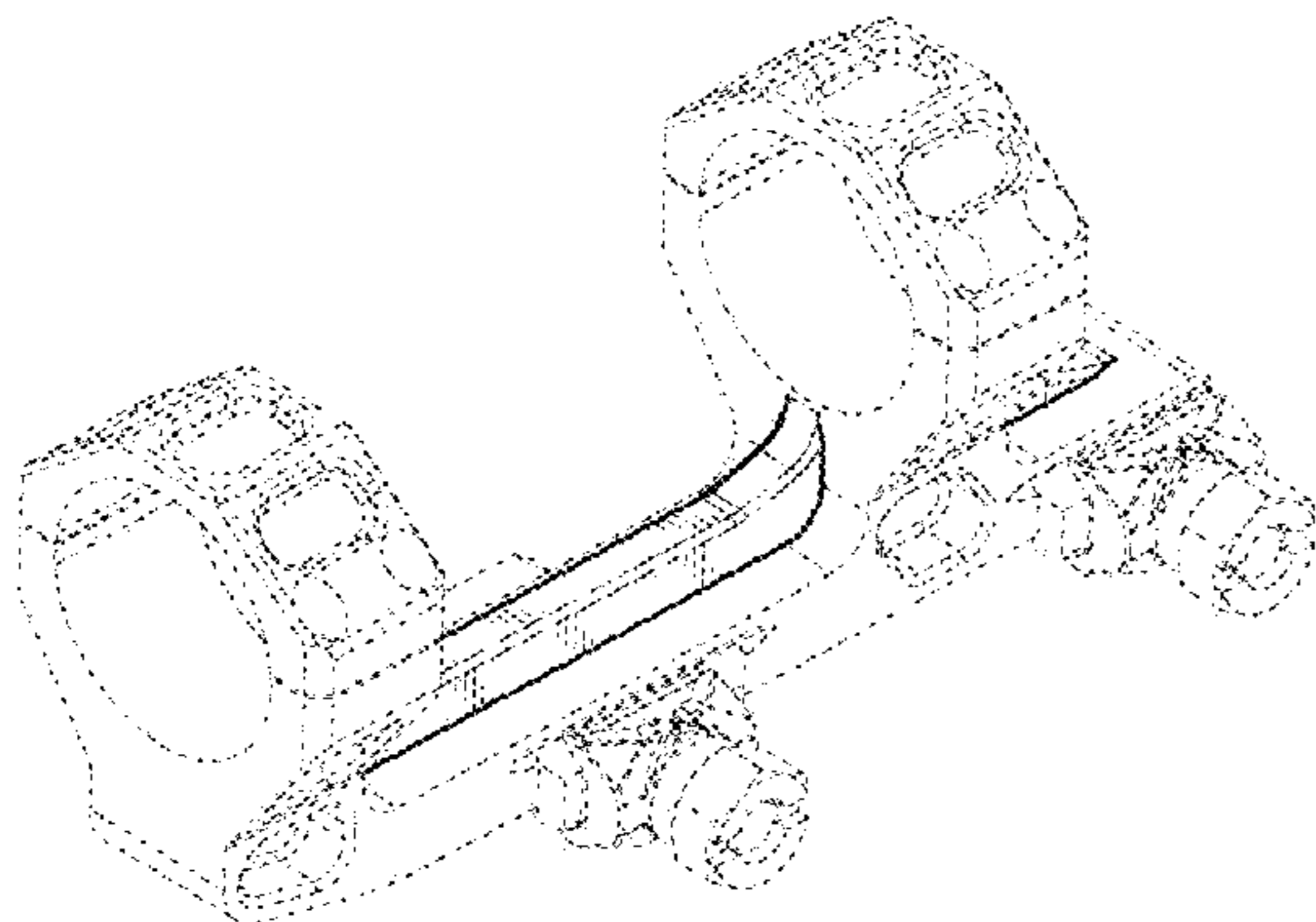
The ornamental design for a firearm scope mount, as shown and described.

DESCRIPTION

FIG. 1 is a top, front, left side perspective view of a firearm scope mount according to the present disclosure; FIG. 2 is a top view of the firearm scope mount of FIG. 1; FIG. 3 is a bottom view of the firearm scope mount of FIG. 1; FIG. 4 is a front view of the firearm scope mount of FIG. 1; FIG. 5 is a rear view of the firearm scope mount of FIG. 1; FIG. 6 is a left side view of the firearm scope mount of FIG. 1; and, FIG. 7 is a right side view of the firearm scope mount of FIG. 1.

The broken lines in the Figures are included for the purpose of illustrating portions of the article and form no part of the claimed design.

1 Claim, 4 Drawing Sheets



(56)

References Cited

U.S. PATENT DOCUMENTS

D317,344 S 6/1991 Klumpp
 5,276,988 A * 1/1994 Swan F41G 11/003
 42/127
 D383,826 S 9/1997 Weigand
 D403,393 S 12/1998 Weast
 D429,790 S 8/2000 Plonka
 D477,650 S 7/2003 Rubin et al.
 6,722,074 B1 4/2004 Farrell
 D512,761 S 12/2005 Warren
 D554,730 S 11/2007 Coggins
 D598,971 S 8/2009 Peterson
 D600,312 S 9/2009 Swan
 D631,120 S * 1/2011 Salmon D21/761
 D632,753 S 2/2011 Leighton
 D634,315 S 3/2011 Nousiainen
 8,205,375 B1 * 6/2012 Swan F41G 1/38
 42/124
 8,429,845 B1 4/2013 Swan
 D685,052 S 6/2013 Mok
 D693,423 S 11/2013 Beckett et al.
 D698,000 S 1/2014 Beckett
 D700,674 S 3/2014 Prieto
 D709,584 S * 7/2014 Komatsu D22/108
 D713,921 S 9/2014 Williams et al.
 D715,393 S 10/2014 Williams et al.
 9,015,982 B1 * 4/2015 Powers F41G 1/44
 42/119
 D732,631 S 6/2015 Cheng et al.
 D747,432 S 1/2016 Cheng et al.
 D753,784 S 4/2016 Montes
 D755,342 S 5/2016 Ding
 9,423,102 B2 * 8/2016 Jigamian F21V 15/04
 9,423,216 B2 8/2016 Cheng
 9,599,431 B2 3/2017 Griffin
 9,677,853 B2 6/2017 Haugen
 9,766,038 B2 * 9/2017 Toole F41G 1/35
 D803,346 S 11/2017 McKillips
 2008/0168696 A1 * 7/2008 Orne F41A 35/00
 42/90
 2008/0178511 A1 7/2008 Storch
 2009/0101776 A1 4/2009 Peterson
 2012/0085014 A1 4/2012 Riley et al.
 2014/0059908 A1 3/2014 Dextraze et al.
 2014/0190062 A1 * 7/2014 Turner, Jr. F41G 11/003
 42/124
 2014/0196400 A1 * 7/2014 Bell E04D 13/0725
 52/705
 2014/0259854 A1 * 9/2014 Williams F41G 11/003
 42/124
 2014/0317987 A1 10/2014 Kuehl et al.
 2015/0316354 A1 11/2015 Cheng

2016/0209176 A1 7/2016 Zimmer
 2016/0245621 A1 8/2016 Kintzing et al.
 2016/0252330 A1 9/2016 Babbitt et al.
 2016/0258716 A1 9/2016 Haugen
 2016/0377385 A1 12/2016 Culp
 2017/0102213 A1 4/2017 Bartoszewicz

OTHER PUBLICATIONS

Blackcat Airsoft 25/30mm Ge Dual Scope Mount, posted at RedWolf Airsoft, posting date Jul. 2, 2016. [online], [site visited Nov. 25, 2017]. Available from Internet, <URL: https://web.archive.org/web/20160702172139/http://www.redwolf/airsoft.com/redwolf/airsoft/Accessories_Scope_Rails_Mounts_Blackcat_Airsoft_25_30mm_GE_Dual_Scope_Mount_Tan.htm>.*
 Cal, Scope Mounts—What the Pros Use, posted at PrecisionRifleBlog, posting date Oct. 28, 2014. [online], [site visited Oct. 17, 2016]. Available from Internet, <URL: <http://precisionrifleblog.com/2014/10/28/scope-mounts-what-the-pros-use/>>.*
 Leupold Mark 2 Integral Mounting System PicatinnyStyle Mount AR15 FlatTop Matte, posted at Midway, comment posting date Dec. 1, 2014. [online], [site visited Oct. 17, 2016]. Available from Internet, <URL: <http://www.midwayusa.com/product/1362291726/leupold-mark-2-integral-mounting-system-ims-1-piece-picatinny-style-mount-ar-15-flat-top-matte>>.*
 Reviews & Ratings for Leupold Mark 2 IMS AR Riflescope Rings Mount, posted at Optics Planet, comment posting date Aug. 5, 2011. [online], [site visited Oct. 17, 2016]. Available from Internet, <URL: <https://www.opticsplanet.com/reviews/reviews-leupold-mark-2-ims-ar-riflescope-rings-mount.html>>.*
 Cal, Scope Mounts—What the Pros Use, Precision Rifle Bloq at <http://precisionrifleblog.com/2014/10/28/scope-mounts-what-the-pros-use/> (Oct. 28, 2014).
 Leupold Mark 2 Integral Mounting System PicatinnyStyle Mount AR15 FlatTop Matte, Midway at <http://www.midwayusa.com/product/1362291726/leupold-mark-2-integral-mounting-system-ims-1-piece-picatinny-style-mount-ar-15-flat-top-matte> (Dec. 2014).
 CCOP MNT-1516 High Profile AR-ArmourTac Rifle Scope Mount Rings for Picatinny Rail, 30mm, Amazon (Oct. 14, 2014), <https://www.amazon.com/CCOP-MNT-1516-Profile-AR-ArmourTac-Picatinny/dp/B00DP26OUK>>.
 Nightforce X-Treme Duty Riflescope, Sportsman’s Warehouse (Nov. 9, 2016), <http://www.sportsmanswarehouse.com/sportsmans/Nightforce-X-Treme-Duty-20-MOA-Ultraliteandtrade-Riflescope-Unimountandtrade/productDetail/Scope-Rings/prod99999034521/cat100747>>.

* cited by examiner

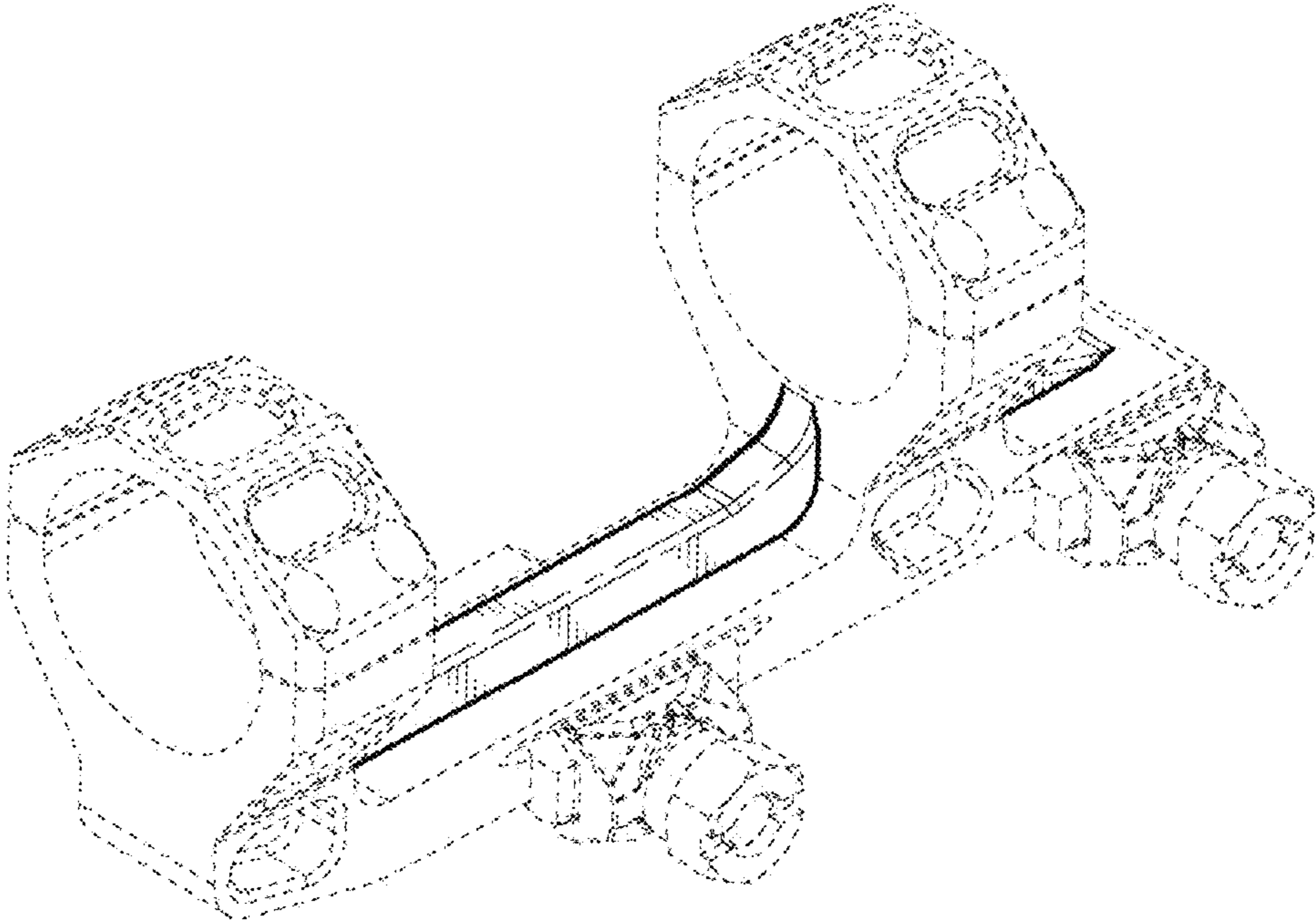


FIG. 1

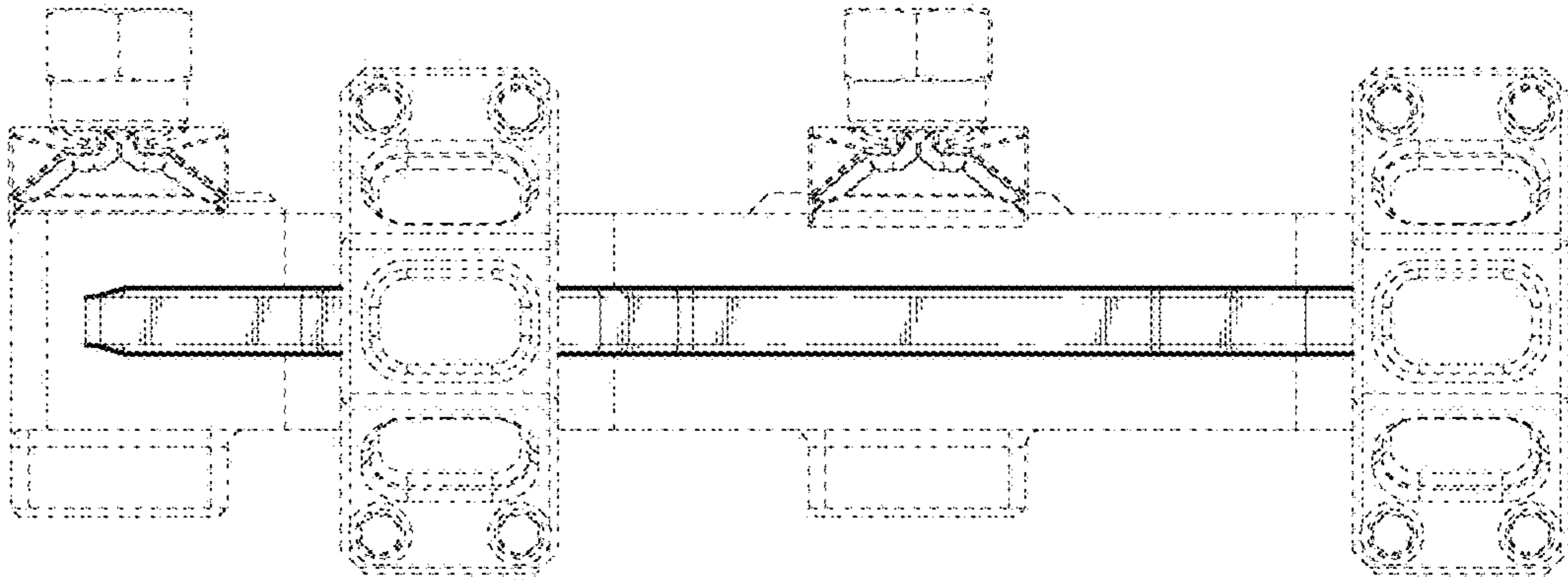


FIG. 2

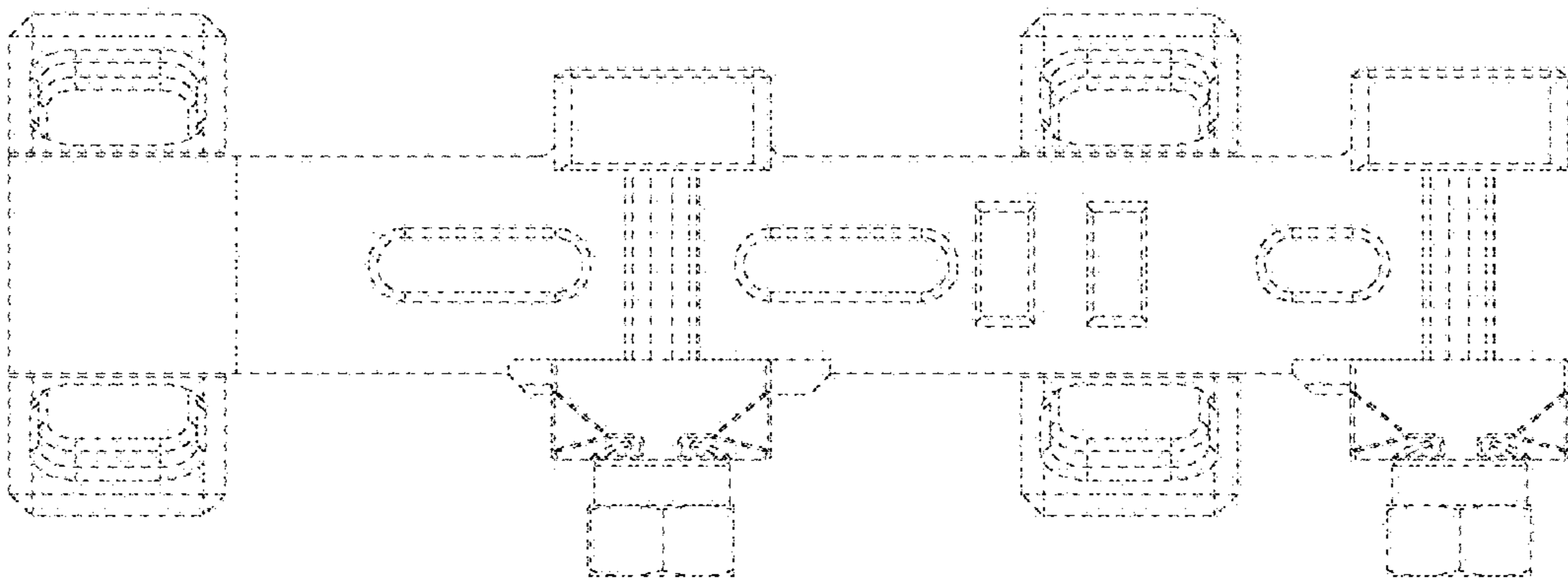


FIG. 3

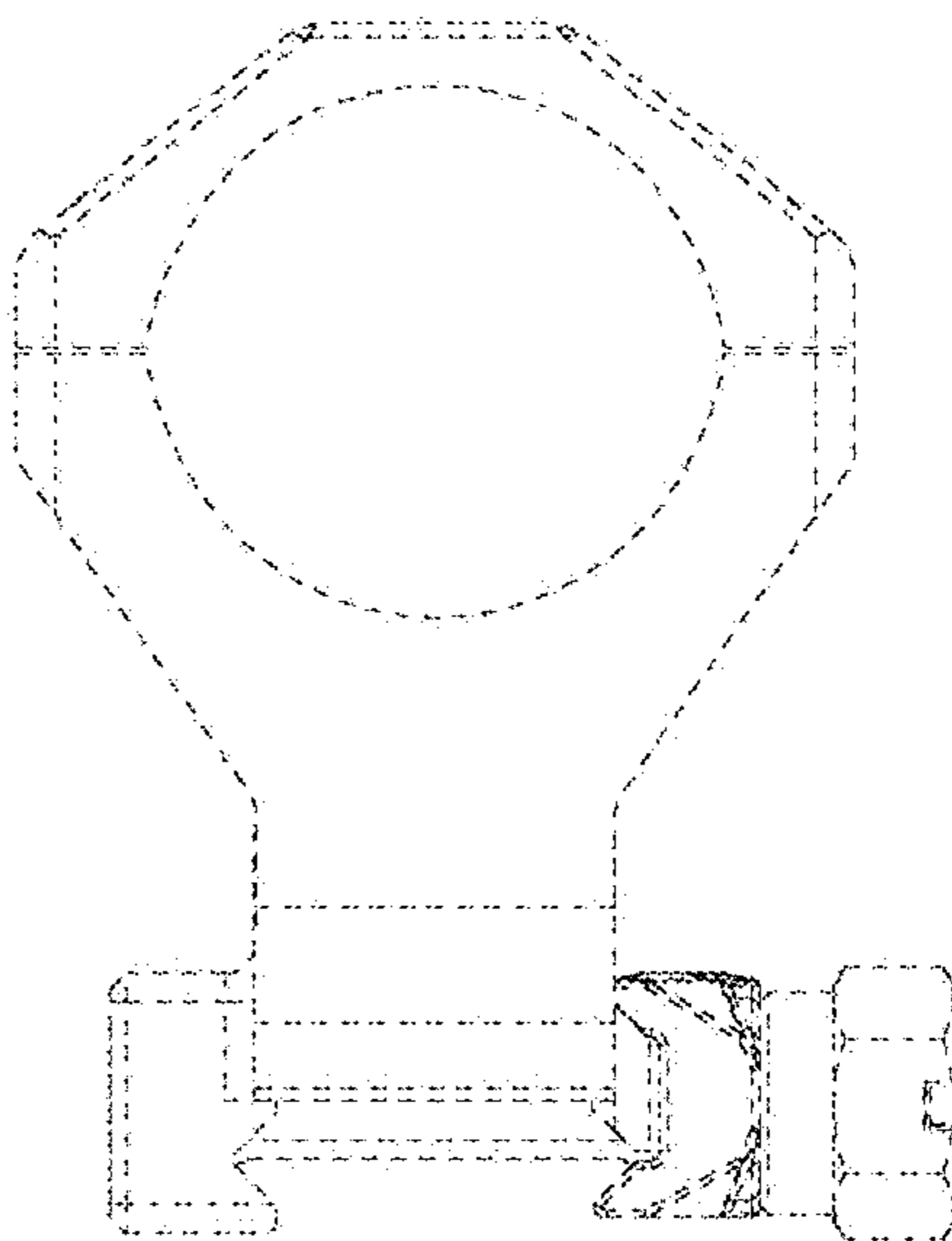


FIG. 4

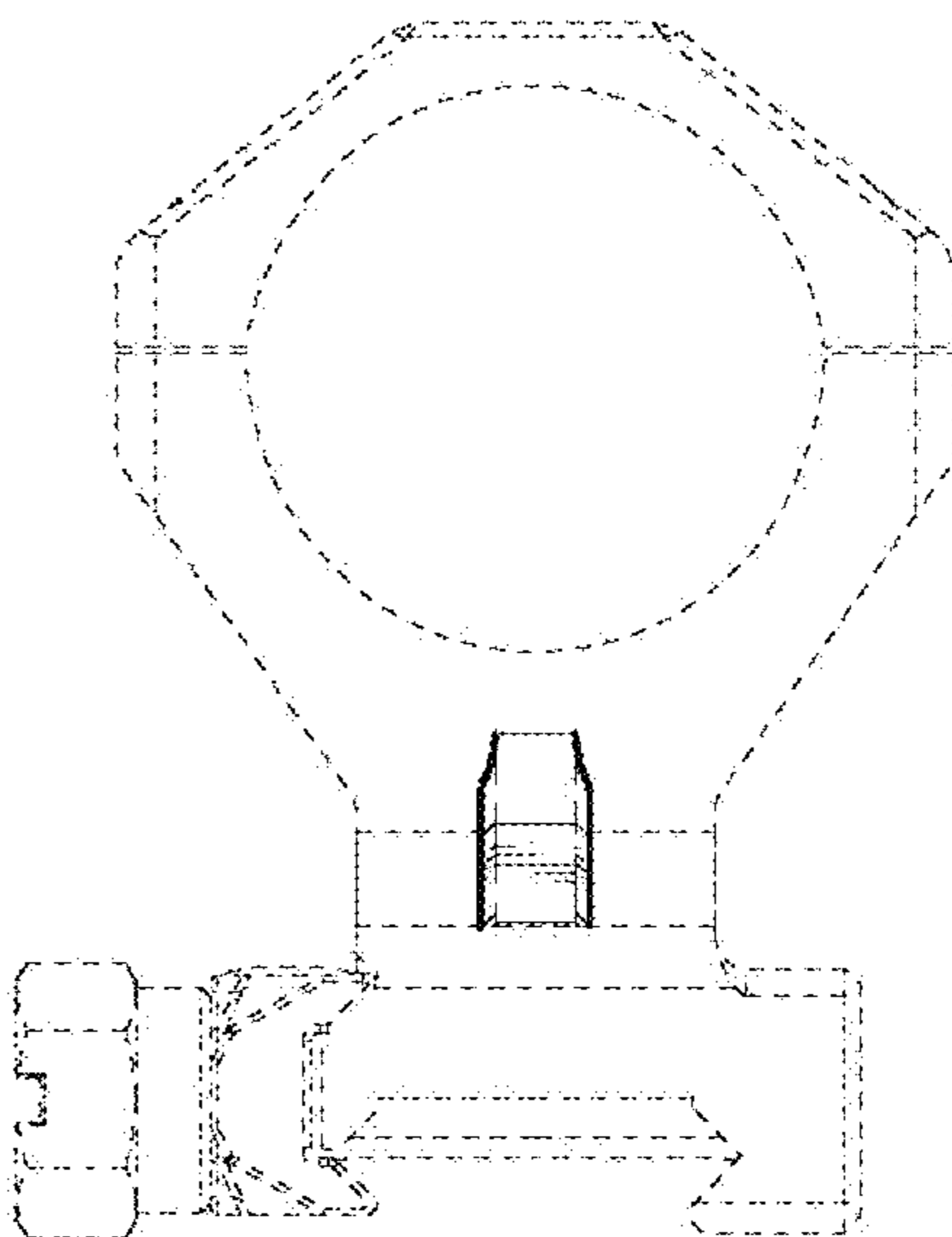


FIG. 5

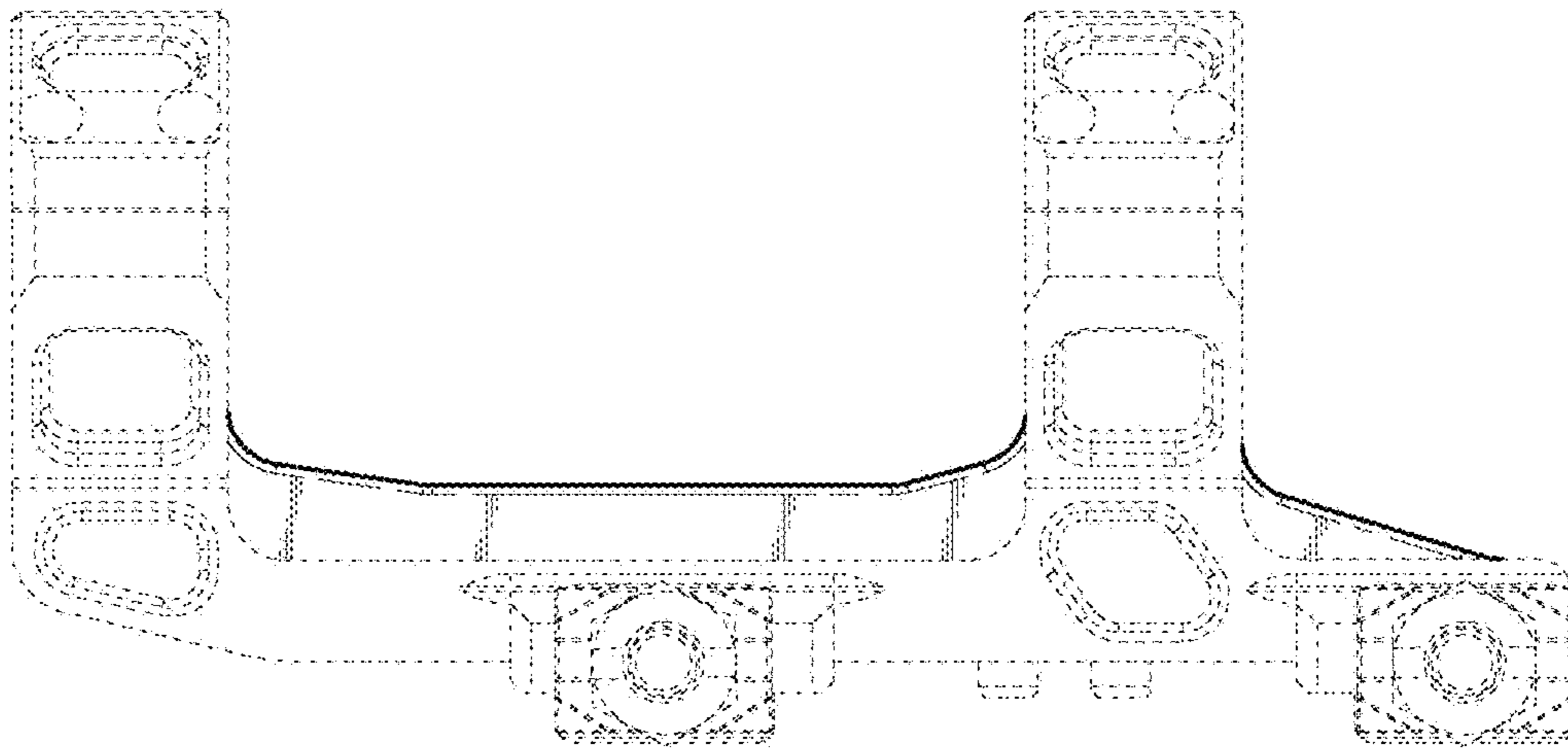


FIG. 6

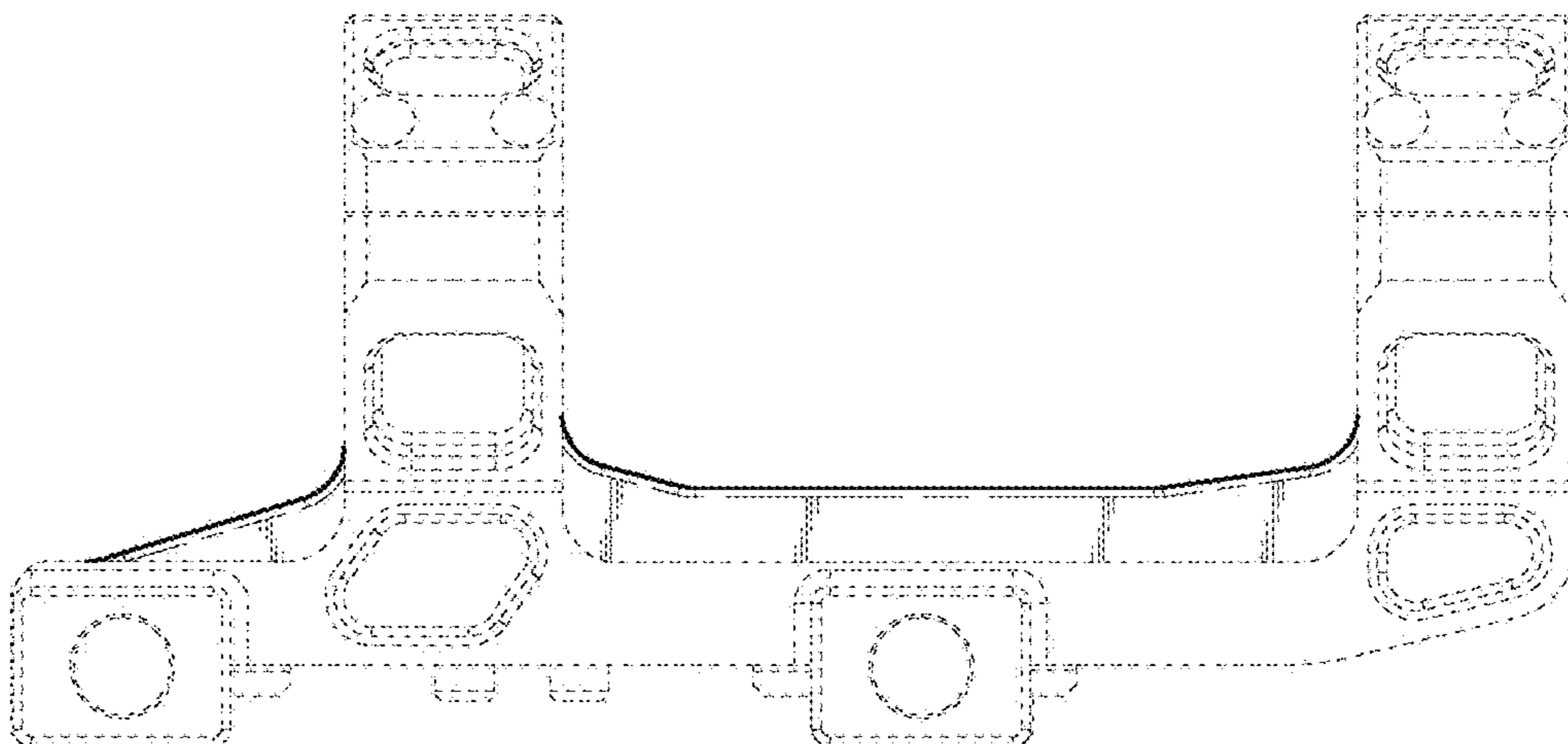


FIG. 7