



US00D819163S

(12) **United States Design Patent**
Hoshi

(10) **Patent No.:** **US D819,163 S**
(45) **Date of Patent:** **** May 29, 2018**

(54) **RIFLE SCOPE**

- (71) Applicant: **Nikon Vision Co., Ltd.**, Tokyo (JP)
- (72) Inventor: **Tomohiro Hoshi**, Tokyo (JP)
- (73) Assignee: **Nikon Vision Co., Ltd.**, Tokyo (JP)
- (**) Term: **15 Years**

(21) Appl. No.: **29/588,729**

(22) Filed: **Dec. 22, 2016**

(51) **LOC (11) Cl.** **22-01**

(52) **U.S. Cl.**
USPC **D22/109**

(58) **Field of Classification Search**
 USPC D22/108–110, 100, 101, 103–107, 115;
 D16/130, 132, 133, 134, 330; D26/38;
 D21/572–575; D14/418; 42/119, 122,
 42/124, 126, 127, 143, 10, 111, 114, 118,
 42/120, 123, 125, 132, 85, 90, 113, 117,
 42/141, 67; 86/10; 102/450, 451, 452,
 102/532, 461
 CPC F41G 11/001; F41G 11/003; F41G 11/004;
 F41G 1/00; F41G 1/38; F41G 11/005
 See application file for complete search history.

(56) **References Cited**

U.S. PATENT DOCUMENTS

D275,495 S	9/1984	Tominaga	
D308,982 S	7/1990	Moore	
D313,607 S *	1/1991	Moore	D16/132
5,666,753 A	9/1997	Kolling	
D416,972 S *	11/1999	Ottoman	D22/108
D417,679 S	12/1999	Cross et al.	
6,005,711 A	12/1999	Mai et al.	
D420,718 S *	2/2000	Ottoman	D16/132
D421,286 S *	2/2000	Tucker	D16/130
D427,658 S *	7/2000	Tucker	D22/108
D476,714 S *	7/2003	Meinzer	D22/109
6,691,447 B1	2/2004	Ottoman	

(Continued)

FOREIGN PATENT DOCUMENTS

JP	1429045 S	11/2011
JP	1429761 S	11/2011

OTHER PUBLICATIONS

Black X1000 4-16x50SF Matte Illuminated X-MOA Reticle, NikonSportOptics.com, [online], [site visited Jan. 7, 2018]. <URL: <https://www.nikonsportoptics.com/en/nikon-products/riflescopes/black-x1000-4-16x50sf-matte-illuminated-x-moa-reticle.html#tab-ProductDetail-ProductTabs-Overview>> (Year: 2018).*

(Continued)

Primary Examiner — T. Chase Nelson

Assistant Examiner — Jonathan J. Han

(74) *Attorney, Agent, or Firm* — Wolf, Greenfield & Sacks, P.C.

(57) **CLAIM**

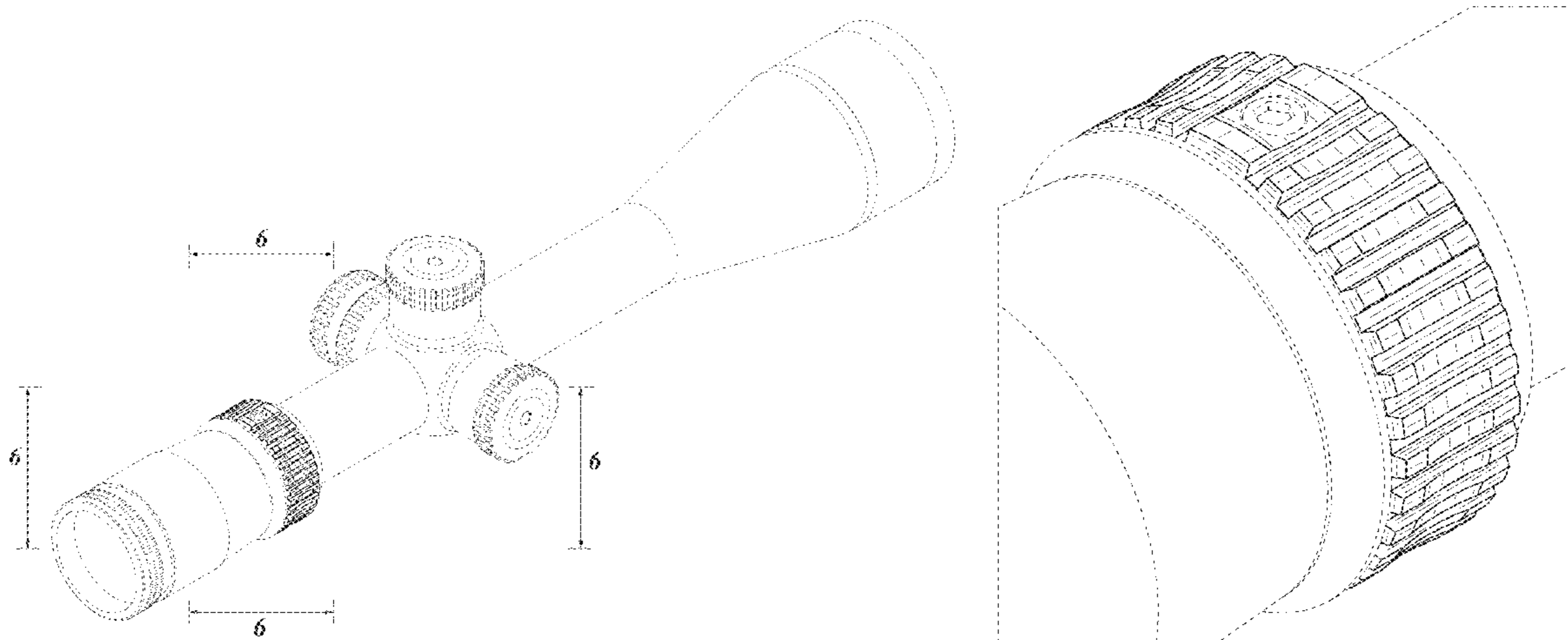
The ornamental design for a rifle scope, as shown and described.

DESCRIPTION

FIG. 1 is a perspective view of a rifle scope showing my new design;
 FIG. 2 is a front view thereof;
 FIG. 3 is a rear view thereof;
 FIG. 4 is a top plan view thereof;
 FIG. 5 is a bottom plan view thereof;
 FIG. 6 is an enlarged view showing a portion defined by 6-6 in FIG. 1; and,
 FIG. 7 is an enlarged view showing a portion defined by 7-7 in FIG. 2.

The features shown in broken lines in the drawings depict portions of the article that form no part of the claimed design. The dash-dotted lines in the drawings denote the boundary of the claim and form no part of the claimed design.

1 Claim, 7 Drawing Sheets



(56)

References Cited

U.S. PATENT DOCUMENTS

7,626,760 B2 * 12/2009 Wu G02B 7/04
 359/426
 D619,192 S * 7/2010 Riley D22/108
 D619,193 S * 7/2010 Riley D22/108
 D667,521 S * 9/2012 Hoshi D22/109
 D668,312 S 10/2012 Asano
 D679,774 S 4/2013 Burzel et al.
 D681,152 S * 4/2013 Burzel D22/109
 D689,163 S * 9/2013 Radau D22/109
 D689,582 S * 9/2013 Radau D22/109
 D707,324 S * 6/2014 Radau D22/109
 8,919,026 B2 * 12/2014 Hamilton F41G 1/38
 356/247
 D723,652 S * 3/2015 Radau D22/109
 D728,060 S * 4/2015 Vogl D22/109
 D728,061 S * 4/2015 Vogl D22/109
 D732,633 S 6/2015 Cheng et al.
 RE46,011 E 5/2016 Huber
 D779,622 S * 2/2017 Thomas D22/109
 9,677,848 B2 * 6/2017 Hamilton F41G 1/38
 D797,879 S * 9/2017 Thomas D22/109
 2009/0109528 A1 * 4/2009 Wu F41G 1/26
 359/425
 2010/0229451 A1 * 9/2010 Hamilton F41G 1/345
 42/126
 2011/0061285 A1 * 3/2011 Hamilton F41G 1/38
 42/122
 2012/0167444 A1 * 7/2012 Adkins F41G 1/38
 42/135

2013/0276345 A1 * 10/2013 Hamilton F41G 1/38
 42/119
 2015/0135578 A1 * 5/2015 Walker F41G 1/38
 42/119
 2015/0143733 A1 * 5/2015 Thomas F41G 1/38
 42/119
 2015/0268000 A1 9/2015 Carroll
 2016/0040959 A1 2/2016 Davidson et al.
 2017/0241742 A1 * 8/2017 Davidson F41G 1/38
 2017/0363388 A9 * 12/2017 Hamilton F41G 1/38

OTHER PUBLICATIONS

Nikon Announces Black Rifle Scope Series, AmericanRifleMan.org, by American Rifleman Staff—Wednesday, Feb. 15, 2017, [online], [site visited Jan. 7, 2018]. <URL: <https://www.americanrifleman.org/articles/2017/2/15/nikon-announces-black-riflescope-series/>> (Year: 2017).*

The 10 Absolute Best Rifle Scopes of 2017, FieldAndStream.com, by Dave Hurteau and Richard Mann, with James Zavislan, Aug. 21, 2017, [online], [site visited Jan. 7, 2018]. <URL: <https://www.fieldandstream.com/top-10-rifle-scopes-2017>> (Year: 2017).*

Gear Review: Sig Sauer Whiskey5 5-25x52 Riflescope, TheTruthAboutGuns.com, by Jeremy S., Sep. 9, 2015, [online], [site visited Jan. 7, 2018]. <URL: <http://www.thetruthaboutguns.com/2015/09/jeremy-s/gear-review-sig-sauer-whiskey5-5-25x52-riflescope/>> (Year: 2015).*

Notice of Allowance for U.S. Appl. No. 29/588,720, dated Feb. 15, 2018.

* cited by examiner

FIG. 1

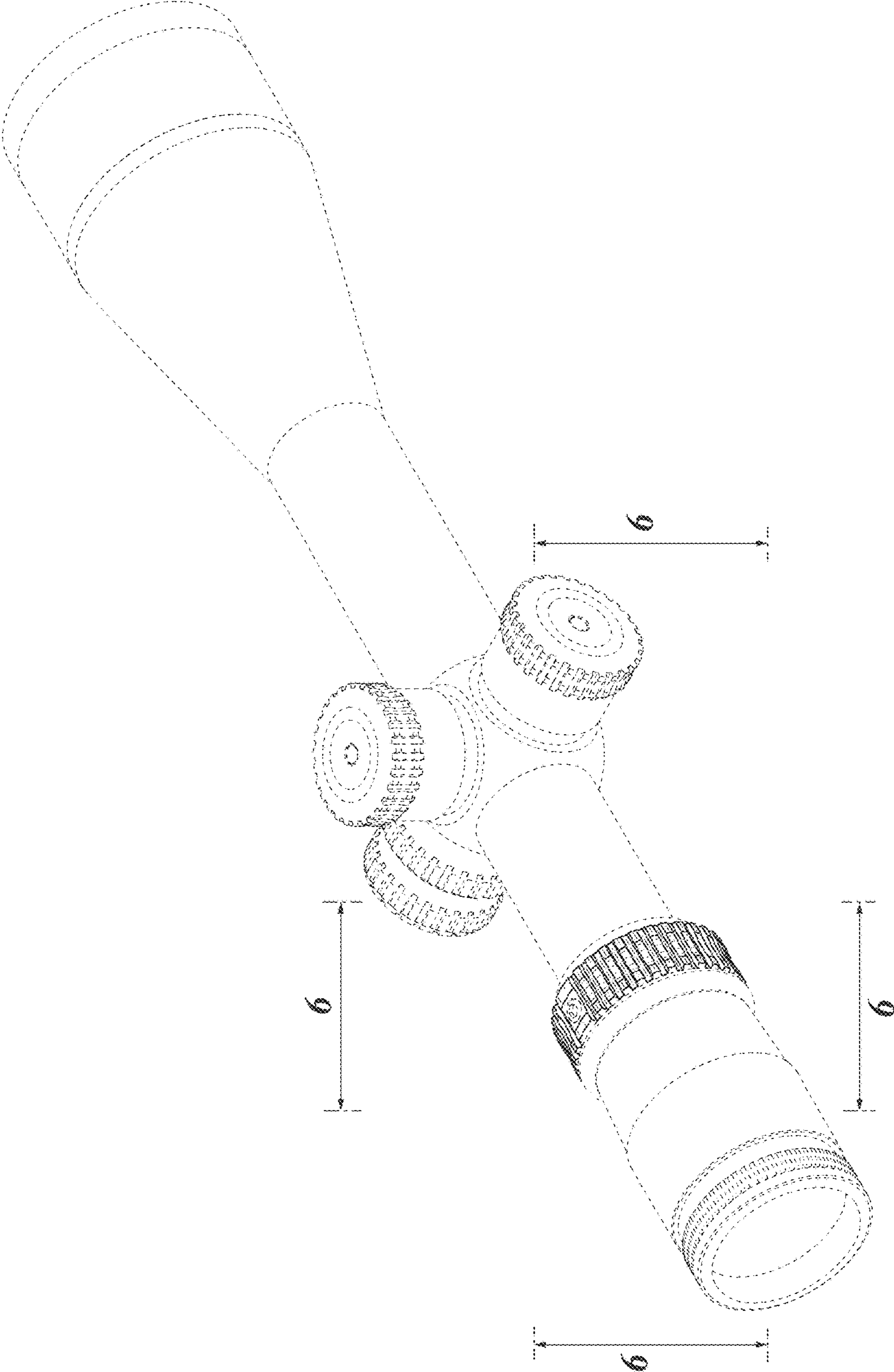


FIG. 2

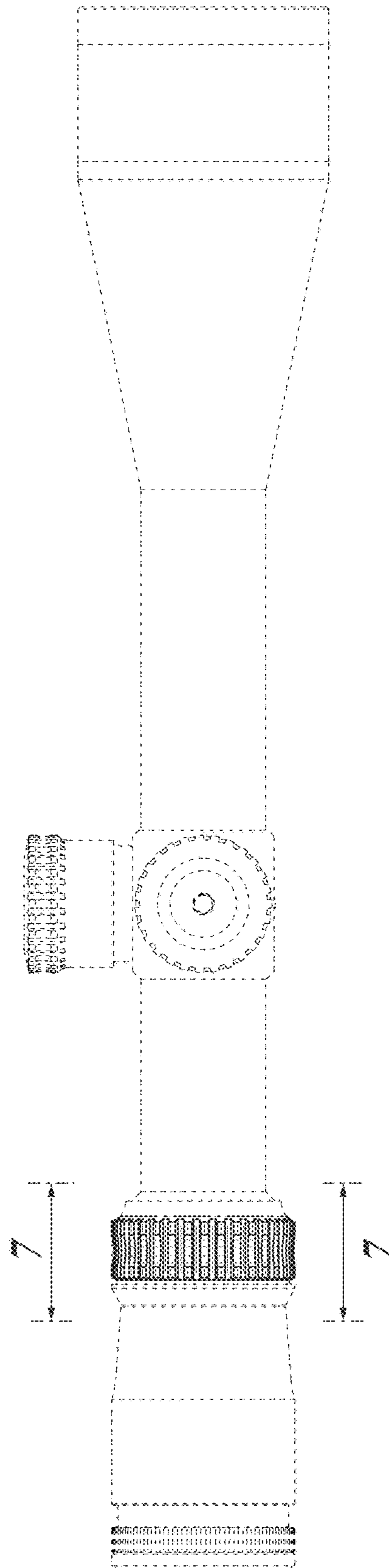


FIG. 3

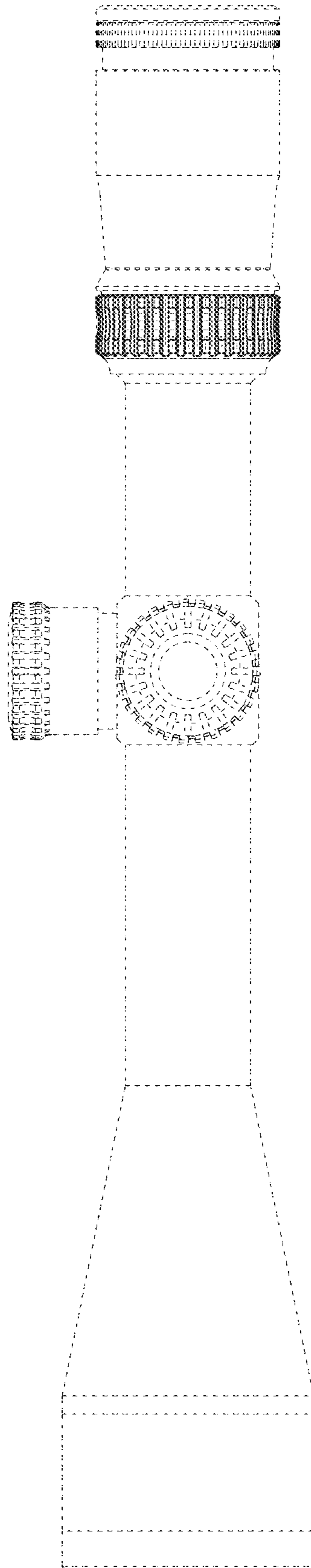


FIG. 4

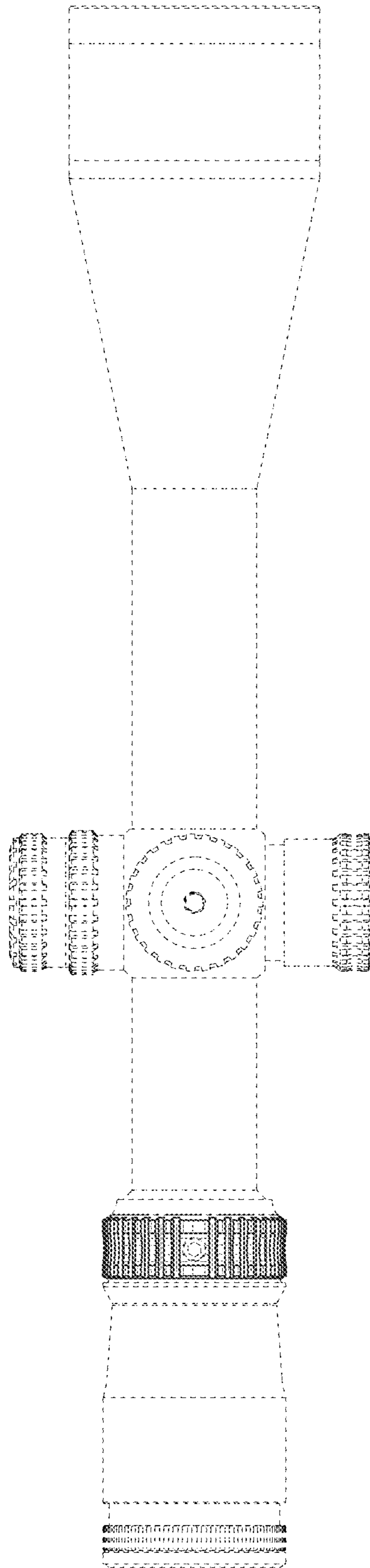


FIG. 5

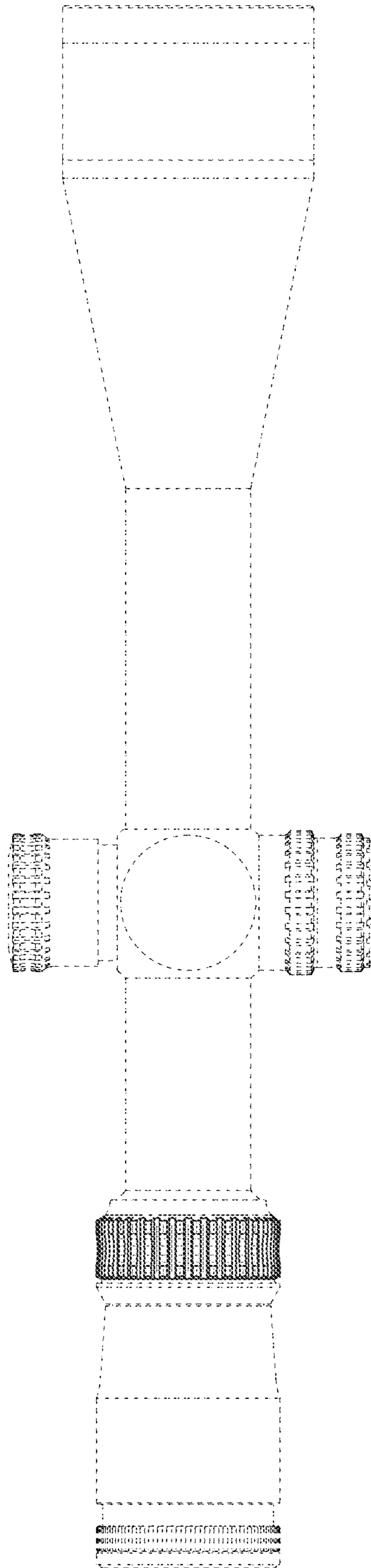


FIG. 6

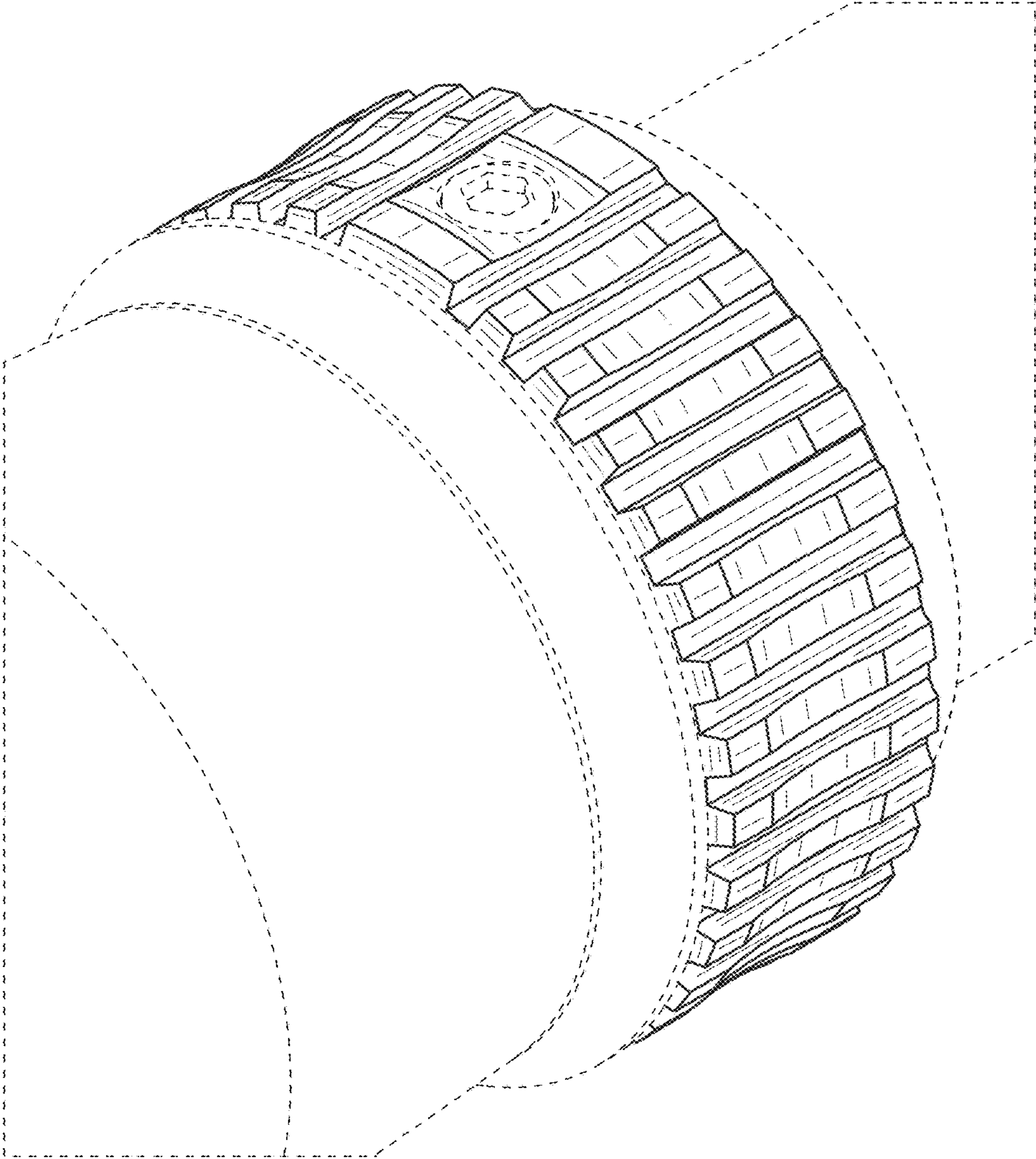


FIG. 7

