



US00D819161S

(12) **United States Design Patent** (10) **Patent No.:** **US D819,161 S**
Kedairy (45) **Date of Patent:** **** May 29, 2018**

(54) **FIREARM SIGHT**

(71) Applicant: **Skychase Holdings Corporation,**
Alachua, FL (US)

(72) Inventor: **Faisal Kedairy,** Vienna (AT)

(73) Assignee: **Skychase Holdings Corporation,**
Alachua, FL (US)

(**) Term: **15 Years**

(21) Appl. No.: **29/576,455**

(22) Filed: **Sep. 2, 2016**

(30) **Foreign Application Priority Data**

Mar. 4, 2016 (EM) 003013358

(51) **LOC (11) Cl.** **22-01**

(52) **U.S. Cl.**
USPC **D22/109**

(58) **Field of Classification Search**
USPC D22/109
CPC . F41G 11/003; F41G 1/00; F41G 1/16; F41G
1/345

See application file for complete search history.

(56) **References Cited**

U.S. PATENT DOCUMENTS

D387,844 S * 12/1997 Emerson D22/100
D611,112 S * 3/2010 Kay D22/109
2017/0356703 A1* 12/2017 Daley, Jr. F41G 11/003

* cited by examiner

Primary Examiner — Michael A. Pratt

(74) *Attorney, Agent, or Firm* — Whitmyer IP Group LLC

(57) **CLAIM**

The ornamental design for a firearm sight, as shown and described.

DESCRIPTION

FIG. 1 is a front isometric view of a firearm sight showing my new design;

FIG. 2 is a front elevation view thereof;

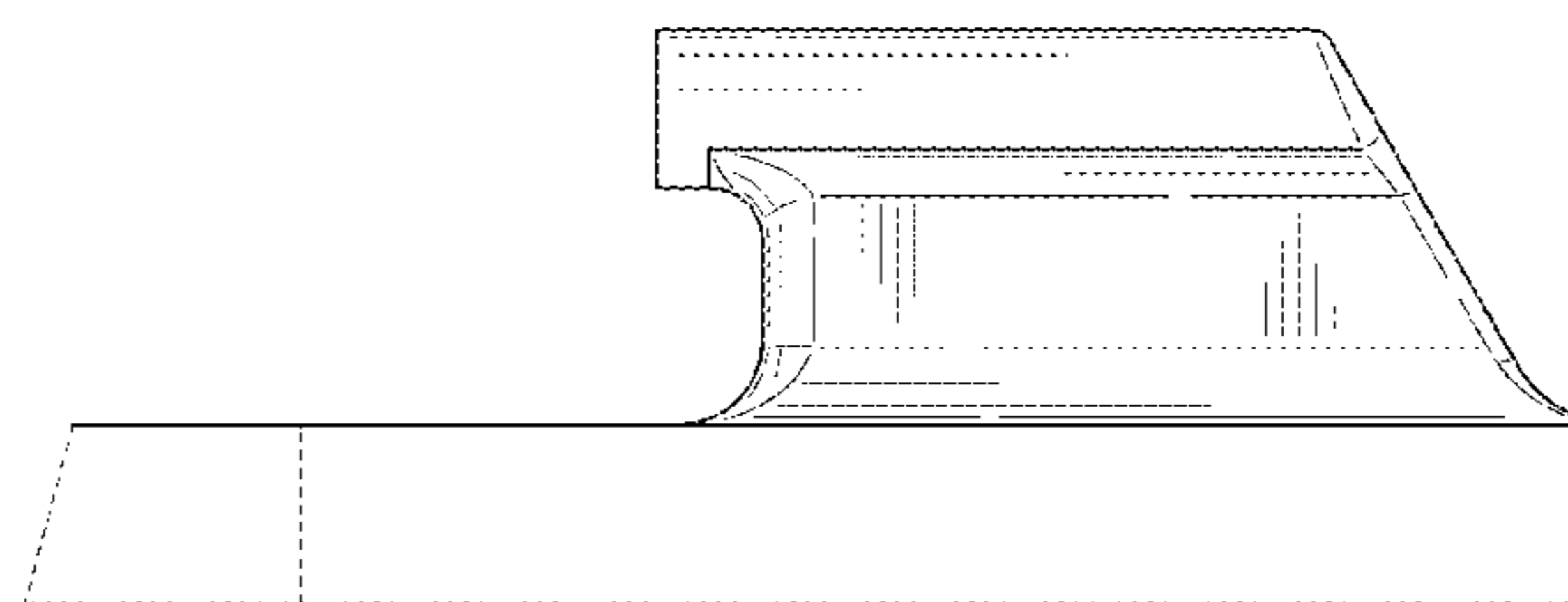
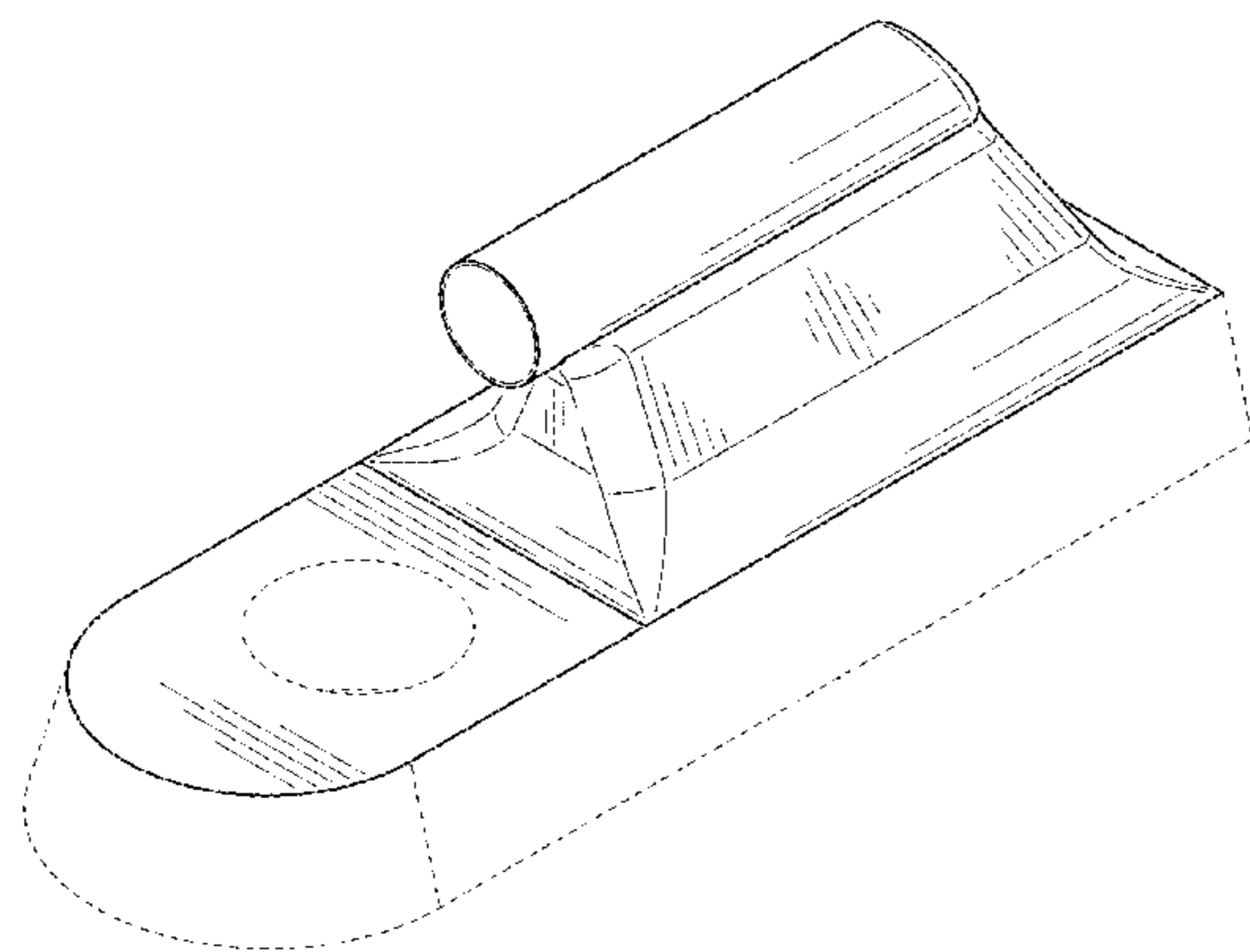
FIG. 3 is a rear elevation view thereof;

FIG. 4 is a left side elevation view thereof, the right side elevation view being a mirror image thereof; and,

FIG. 5 is a top plan view thereof.

The dashed broken lines in the Figures show portions of the firearm sight that form no part of the claimed design. The dashed-dotted broken lines in FIGS. 1-3 and 5 represent unclaimed boundaries between claimed and unclaimed portions of the firearm sight. The relatively thin lines in the Figures represent contour and not surface ornamentation. The bottom view is omitted and forms no part of the claimed design.

1 Claim, 3 Drawing Sheets



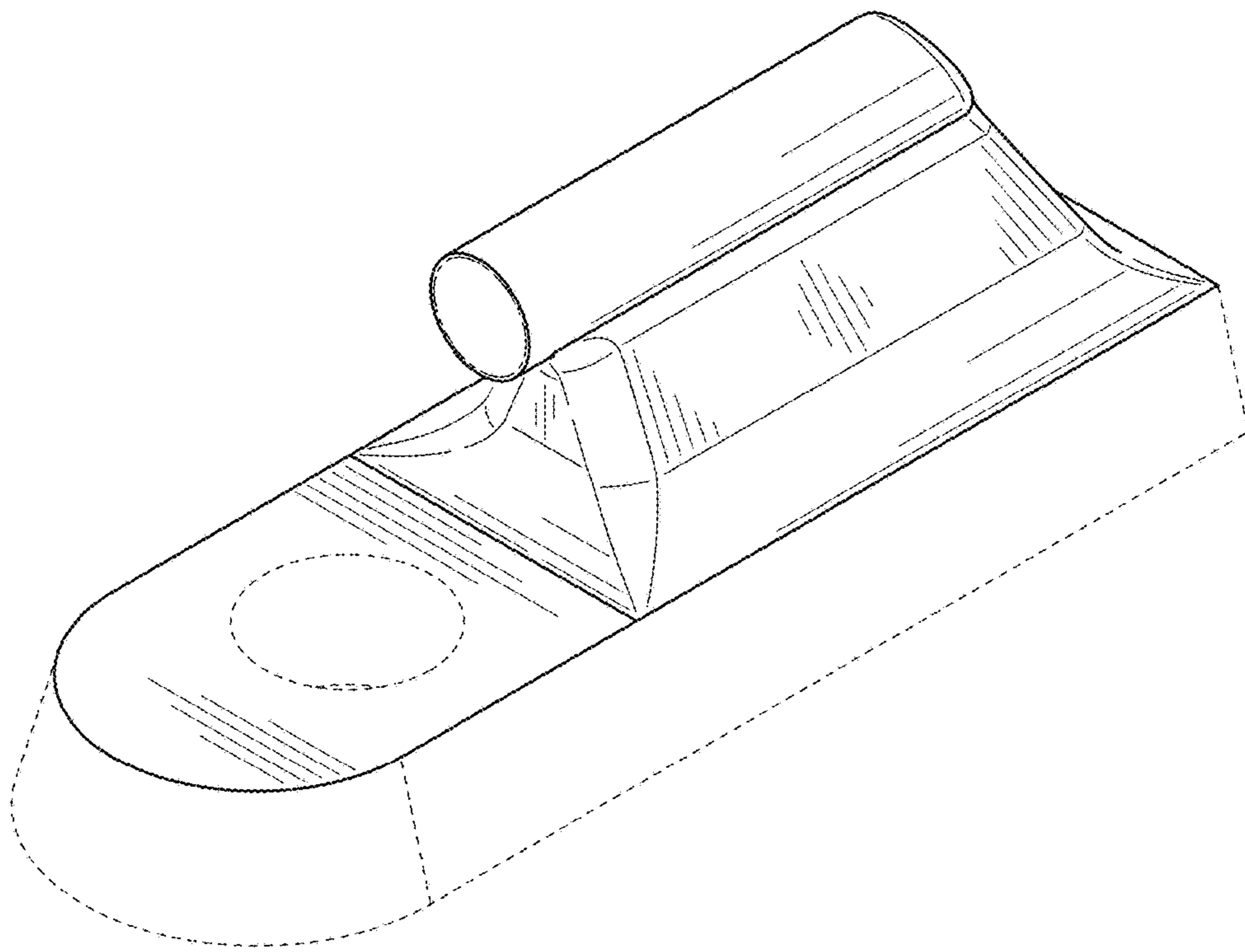


FIG. 1

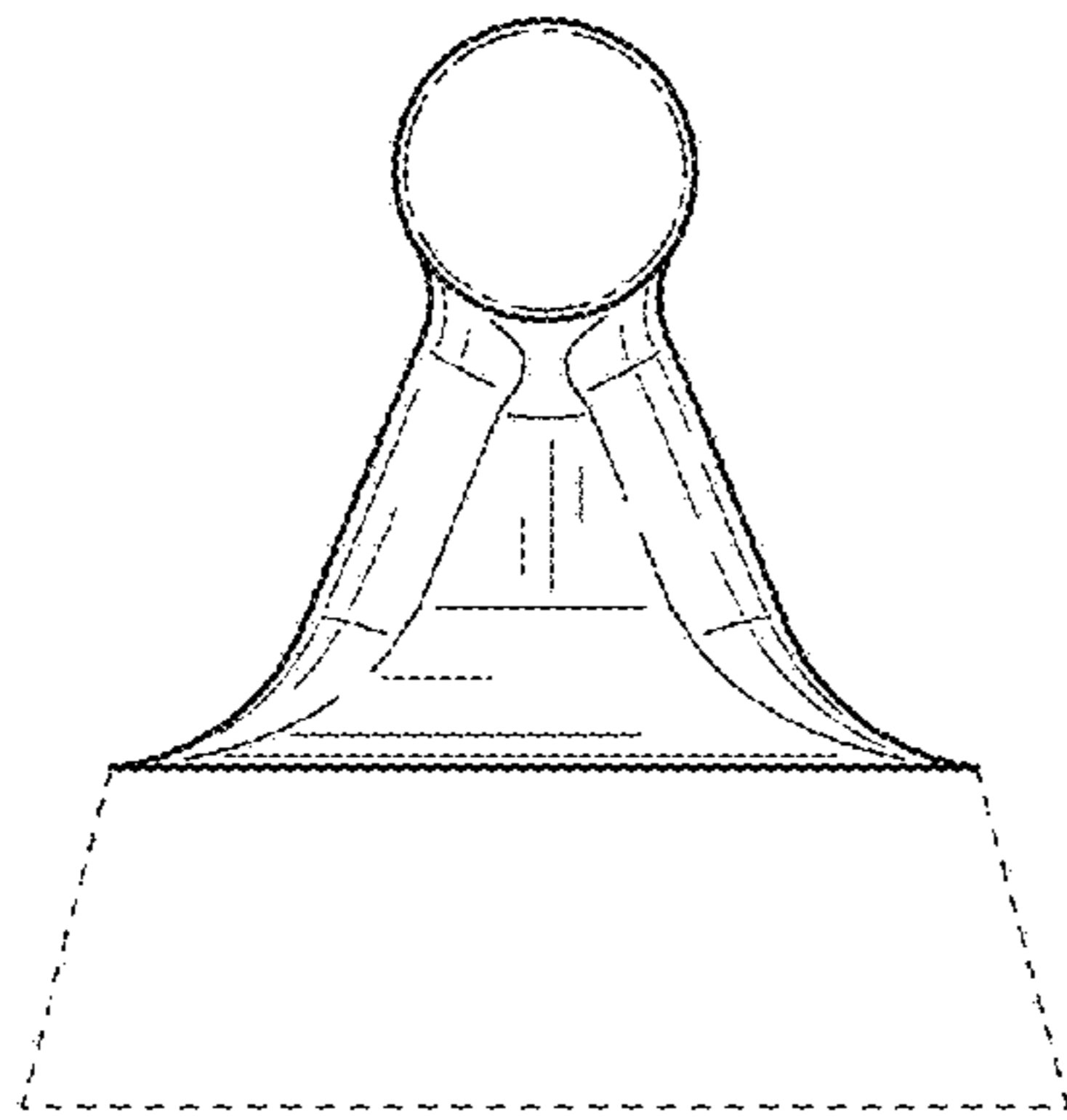


FIG. 2

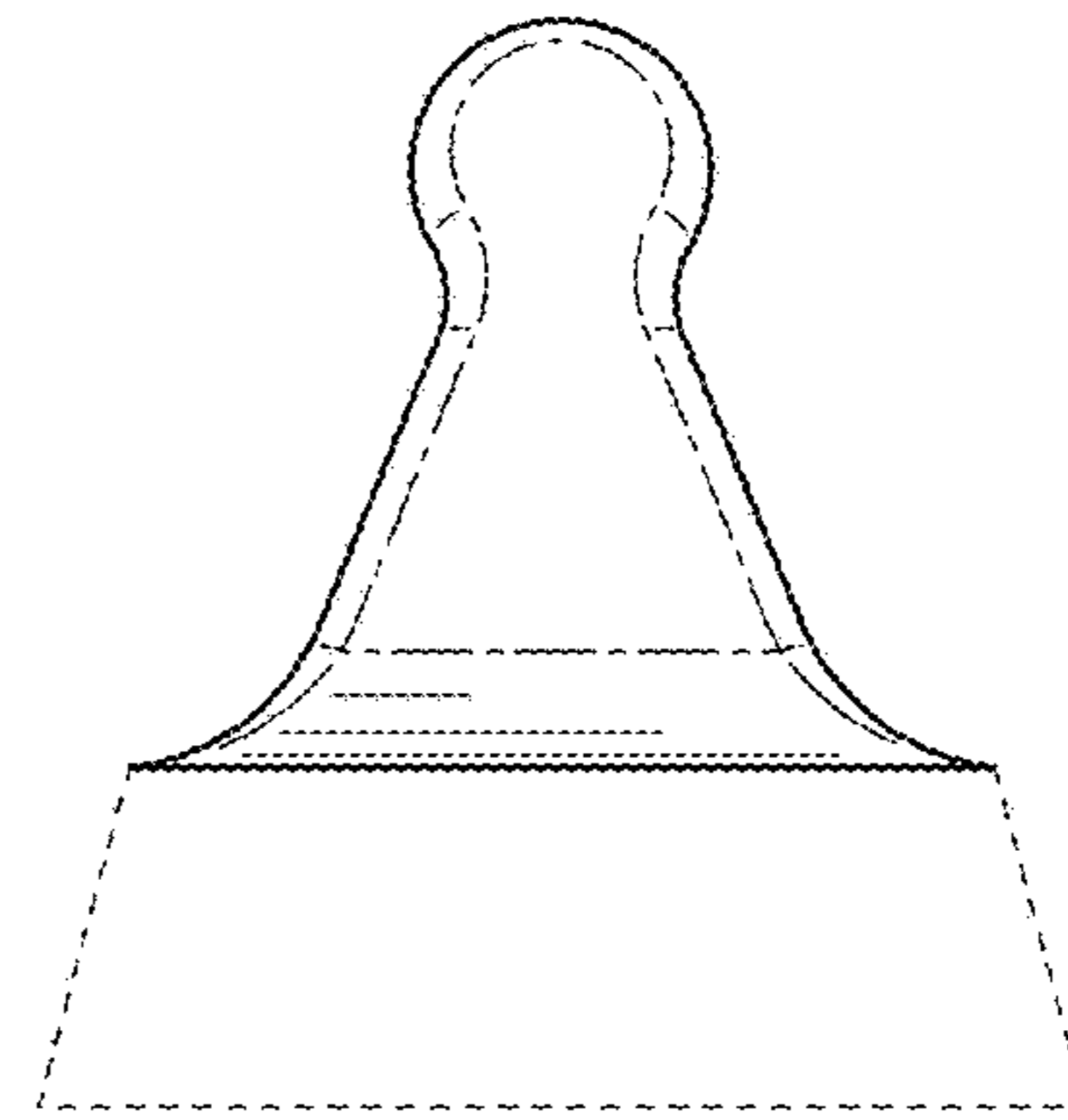


FIG. 3

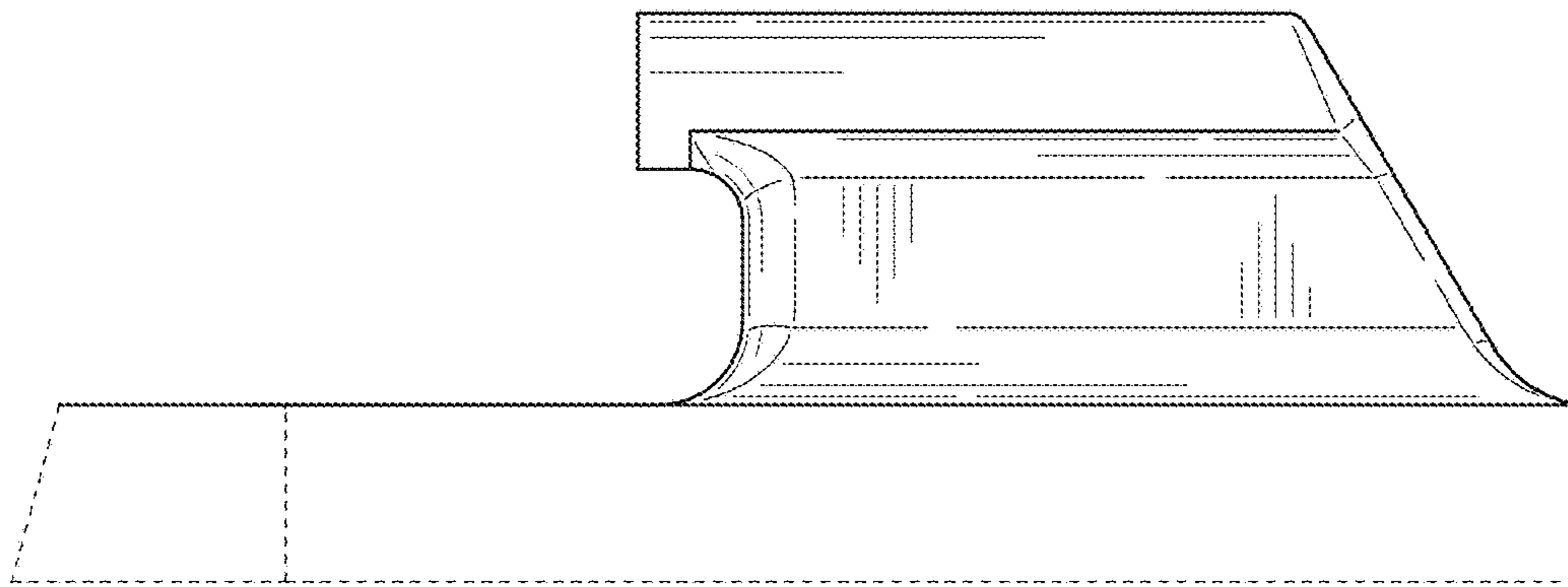


FIG. 4

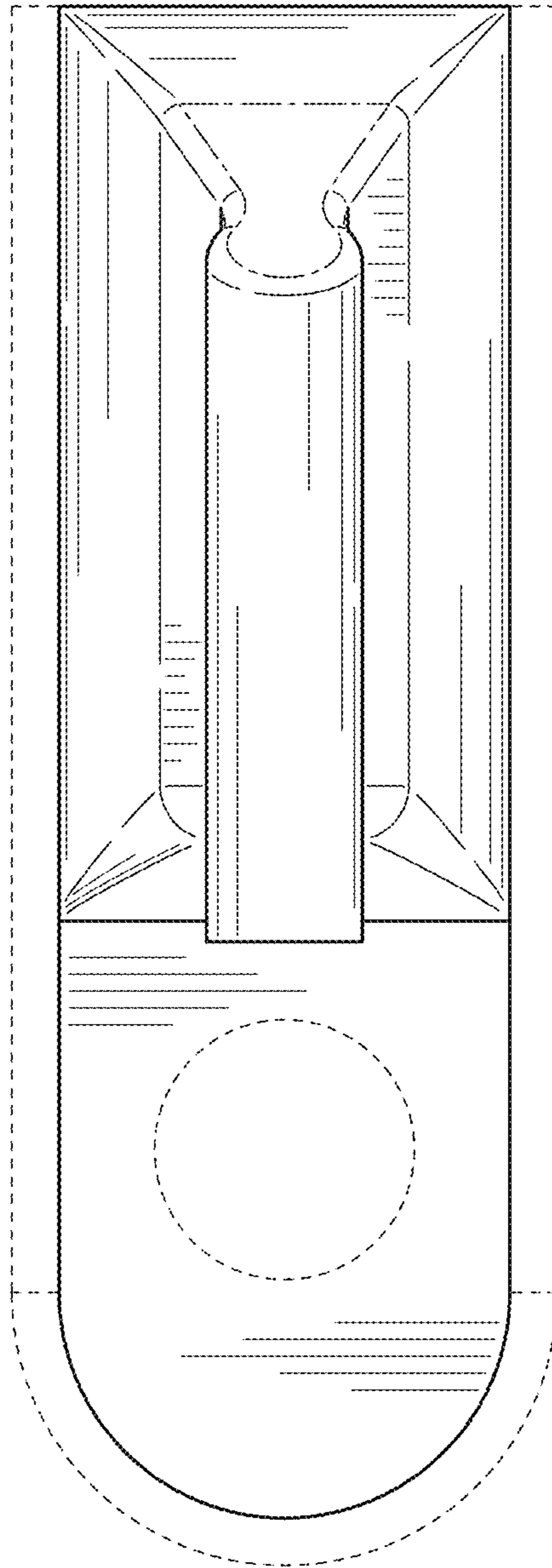


FIG. 5