



US00D819160S

(12) **United States Design Patent**
Hamilton et al.

(10) **Patent No.:** **US D819,160 S**
(45) **Date of Patent:** **** May 29, 2018**

(54) **RIFLESCOPE**

(71) Applicant: **Sheltered Wings, Inc.**, Middleton, WI (US)

(72) Inventors: **David M. Hamilton**, Mt. Horeb, WI (US); **Samuel J. Hamilton**, Mt. Horeb, WI (US)

(73) Assignee: **Sheltered Wings, Inc.**, Middleton, WI (US)

(**) Term: **15 Years**

(21) Appl. No.: **29/536,951**

(22) Filed: **Aug. 20, 2015**

(51) **LOC (11) Cl.** **22-01**

(52) **U.S. Cl.**
USPC **D22/109**

(58) **Field of Classification Search**
USPC D22/108-111; D16/132, 134, 330; 42/85, 111, 113-114, 117-119, 122-123, 42/129, 130-133, 135-136, 140-146; D26/49

CPC F41G 1/00; F41G 1/01; F41G 1/16; F41G 1/32; F41G 1/34; F41G 1/36; F41G 1/38; F41G 1/40; F41G 1/42; F41G 1/52; F41G 1/345; F41G 11/003

See application file for complete search history.

(56) **References Cited**

U.S. PATENT DOCUMENTS

D349,510 S *	8/1994	Tomita	D16/132
D564,555 S *	3/2008	Palmer	D16/132
D616,956 S *	6/2010	Hamilton	D22/108
D619,190 S *	7/2010	Larsson	D22/108
D679,775 S *	4/2013	Cheng	D22/109
D732,137 S *	6/2015	Hamilton	D22/109
D757,886 S *	5/2016	Cheng	D22/109
D764,007 S *	8/2016	Horton	D22/109

D765,212 S *	8/2016	Cheng	D22/109
D774,157 S *	12/2016	Koesler	D22/109
D795,989 S *	8/2017	Horton	D22/109
2006/0010762 A1 *	1/2006	Lin	F41G 1/38 42/142
2017/0038177 A1 *	2/2017	Sun	F41G 1/30
2017/0363387 A1 *	12/2017	Sun	F41G 1/345

OTHER PUBLICATIONS

Holosun.ca Store Catalog, posted at Holosun, posting date Apr. 17, 2015. [online], [site visited Oct. 13, 2016]. Available from Internet, <URL: <https://web.archive.org/web/20150417043618/http://www.holosun.ca/index.php/shop-online>>.*

(Continued)

Primary Examiner — Kevin K Rudzinski

Assistant Examiner — Kathleen L Jones

(74) *Attorney, Agent, or Firm* — Husch Blackwell LLP

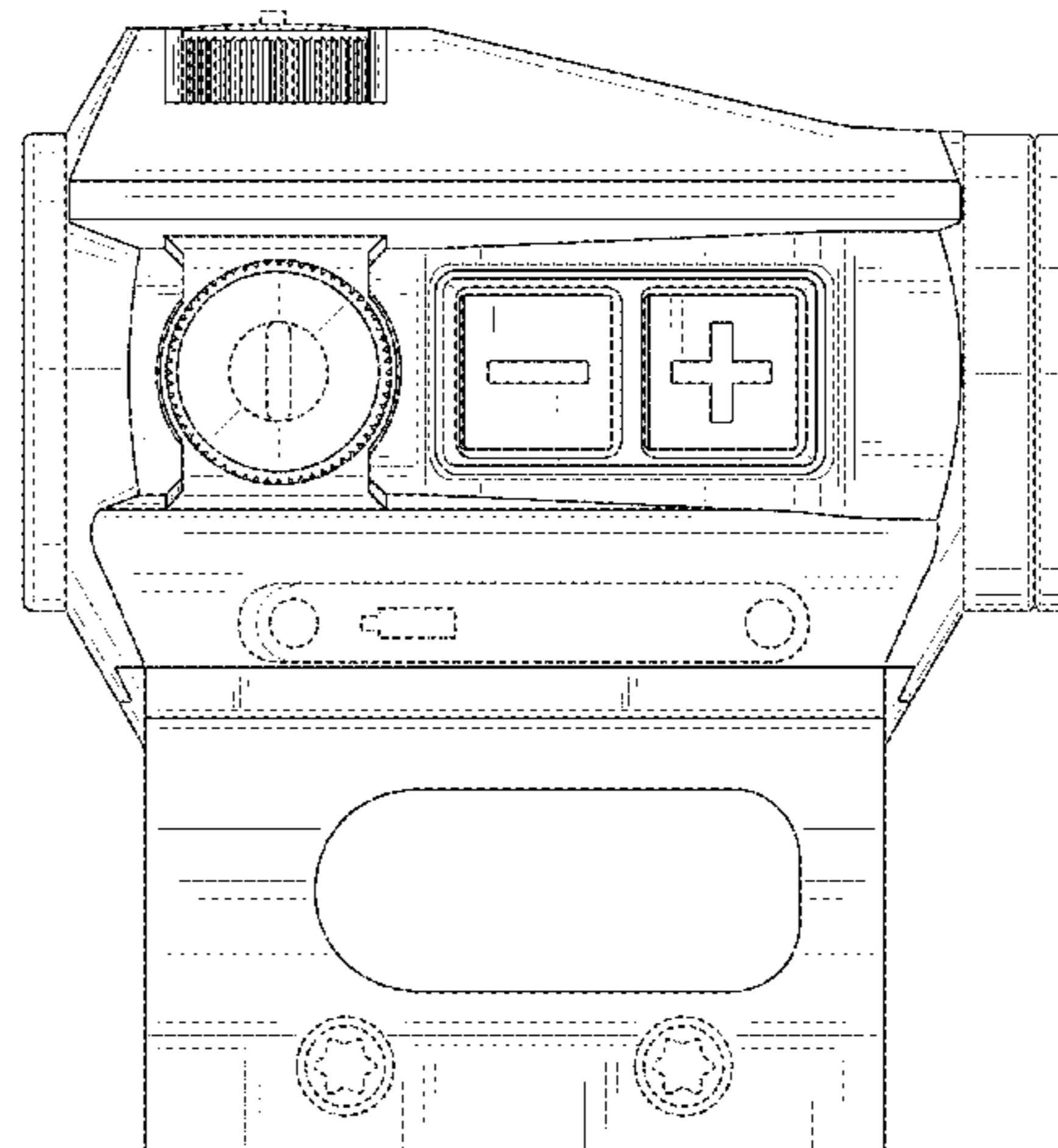
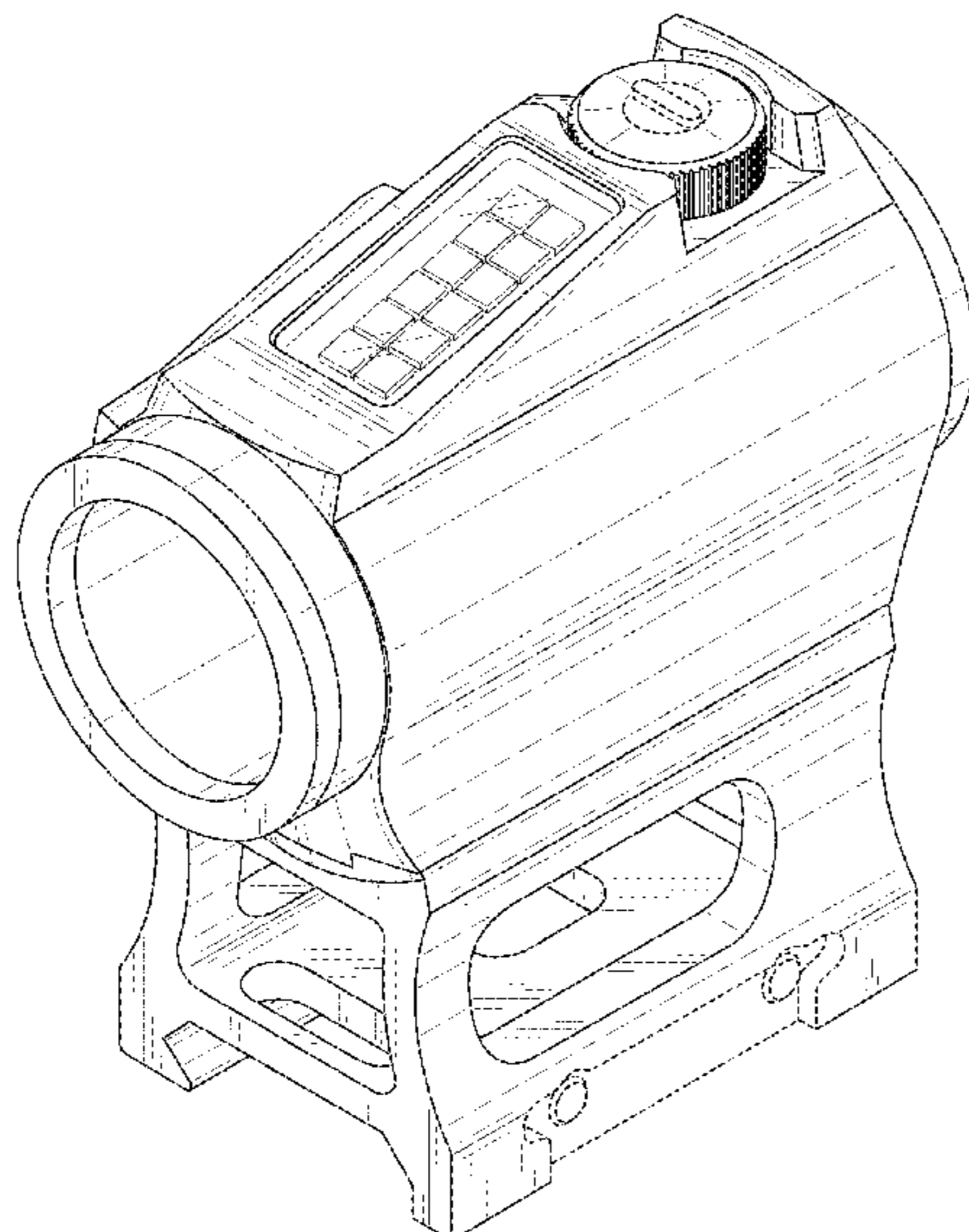
(57) **CLAIM**

We claim the ornamental design for a riflescope, as shown and described.

DESCRIPTION

FIG. 1 is a side perspective view of a riflescope of our new design;
FIG. 2 is a left side elevation view of the riflescope of FIG. 1;
FIG. 3 is a right side elevation view of the riflescope of FIG. 1;
FIG. 4 is a top view of the riflescope of FIG. 1;
FIG. 5 is a bottom view of the riflescope of FIG. 1;
FIG. 6 is a front elevation view of the riflescope of FIG. 1; and,
FIG. 7 is a rear elevation view of the riflescope of FIG. 1.
The broken lines in FIGS. 1-7 are included for the purpose of illustrating portions of the article and form no part of the claimed design.

1 Claim, 7 Drawing Sheets



(56)

References Cited

OTHER PUBLICATIONS

Holosun Paralow Compact Solar Power Circle Dot Sight with Flip Cap, posted at Primary Arms, comment posting date Aug. 10, 2015. [online], [site visited Oct. 13, 2016]. Available from Internet, <URL: <http://www.primaryarms.com/holosun-technologies-paralow-compact-solar-power-circle-dot-sight-with-flip-cap/p/hs515c/>>.*

Holosun Paralow HS403A Red Dot Sight, posted at Primary Arms, comment posting date Aug. 10, 2015. [online], [site visited Oct. 13, 2016]. Available from Internet, <URL: <http://www.primaryarms.com/holosun-technologies-paralow-red-dot-sight-2-moa/p/hs403a/>>.*

Sun et al., CN-303059908, Red Dot Gun Sight, posted at Orbit, publication date Dec. 31, 2014. [online], [site visited Sep. 30, 2016]. Available from Internet.*

* cited by examiner

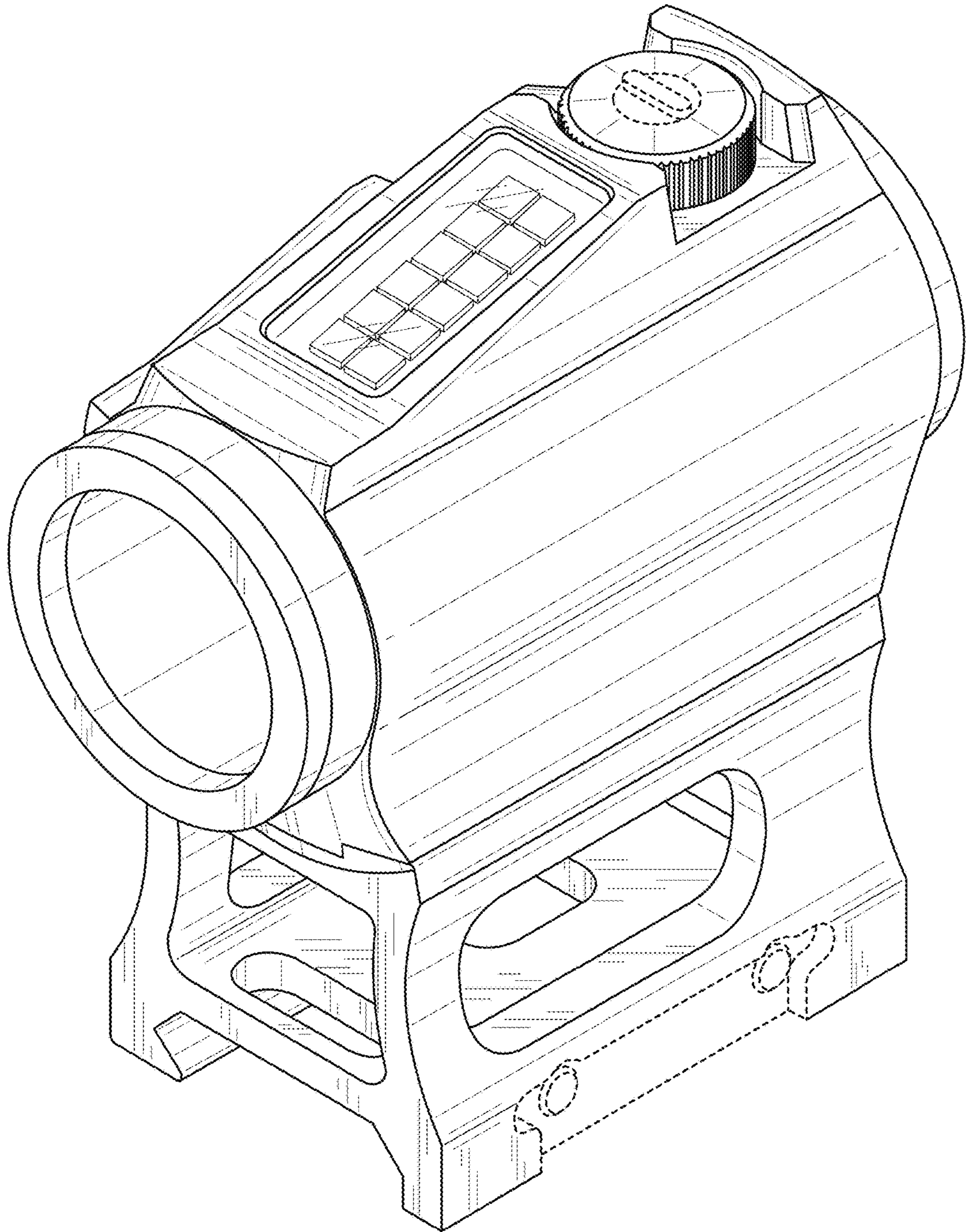


FIG. 1

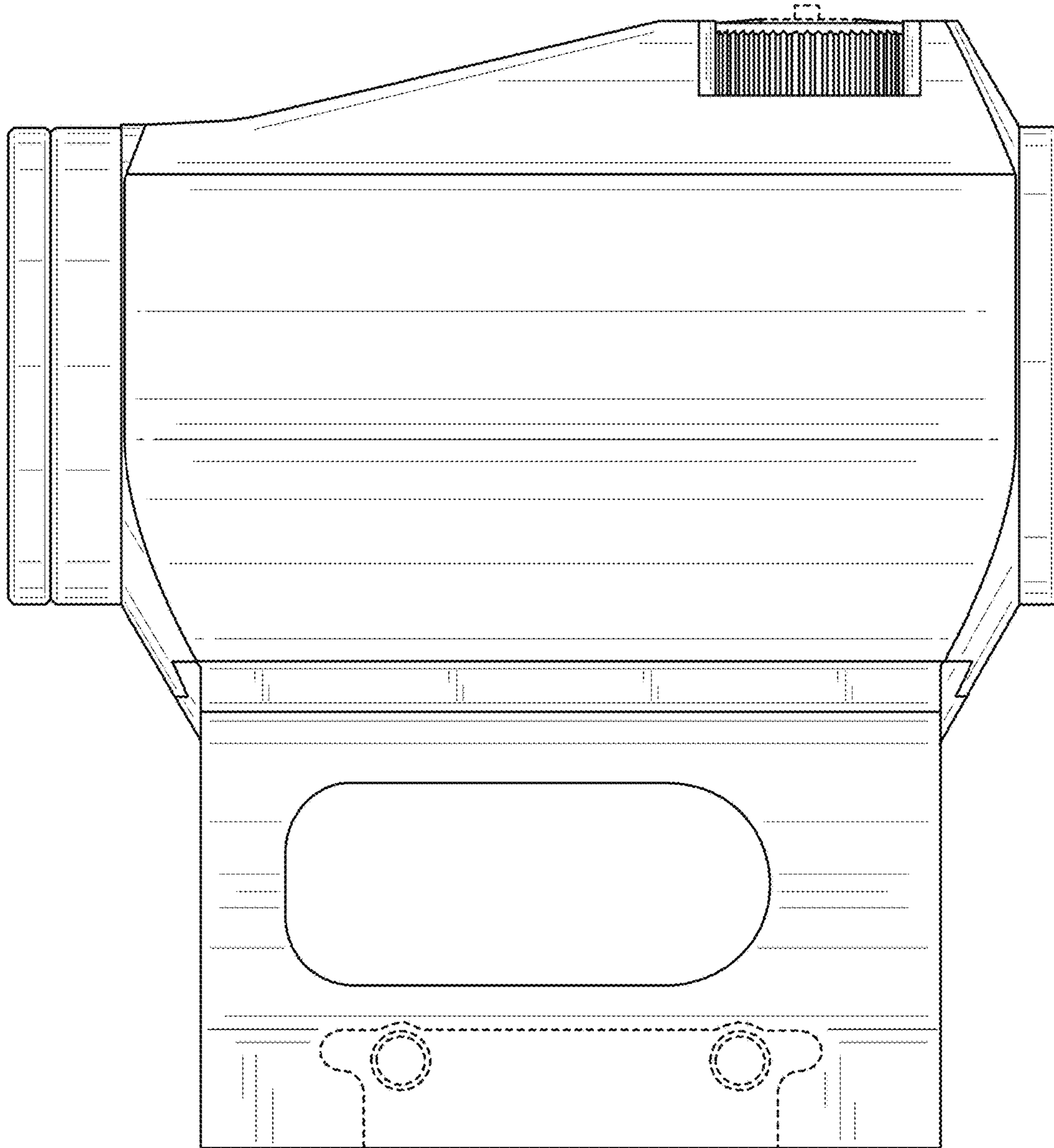


FIG. 2

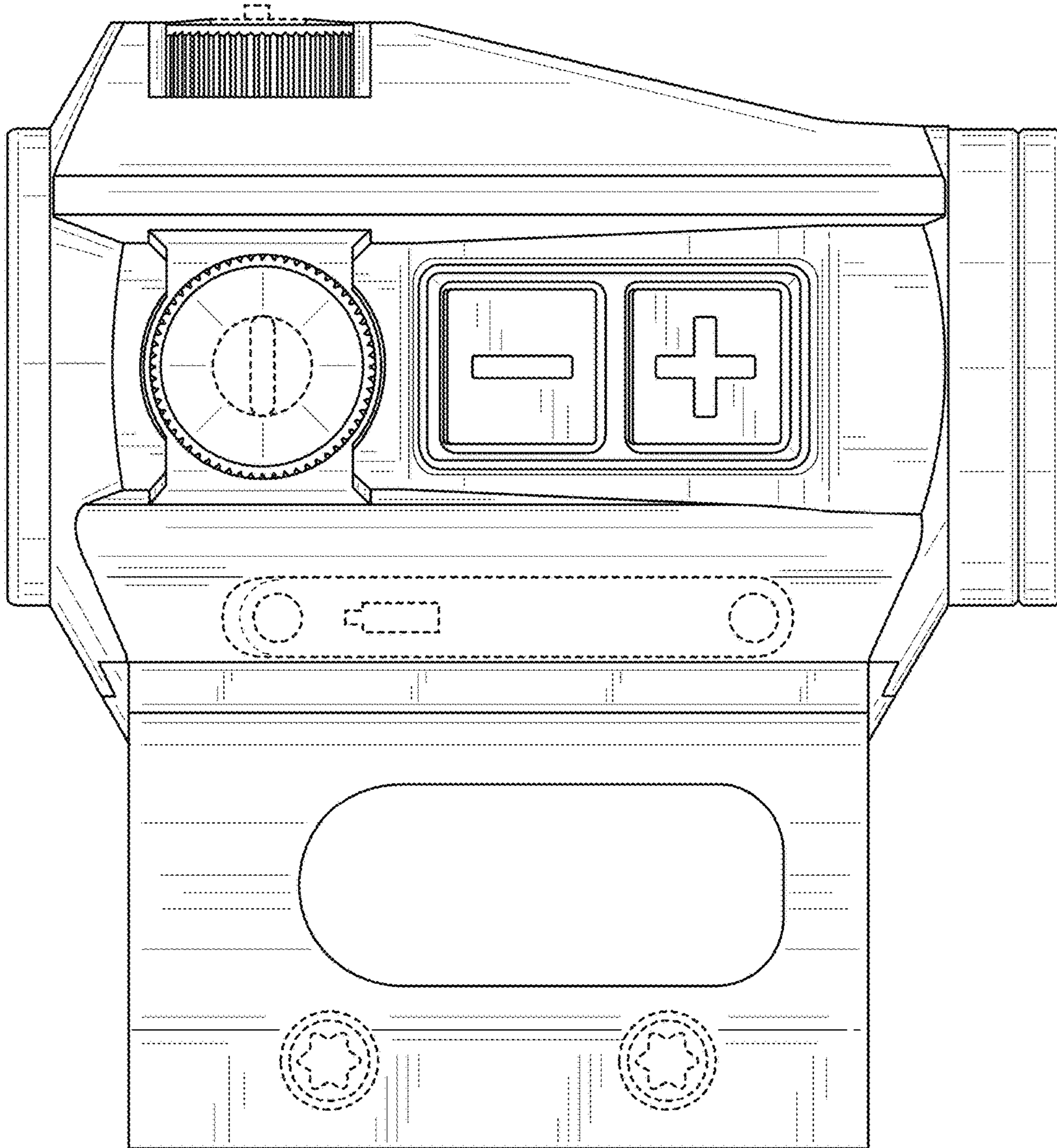


FIG. 3

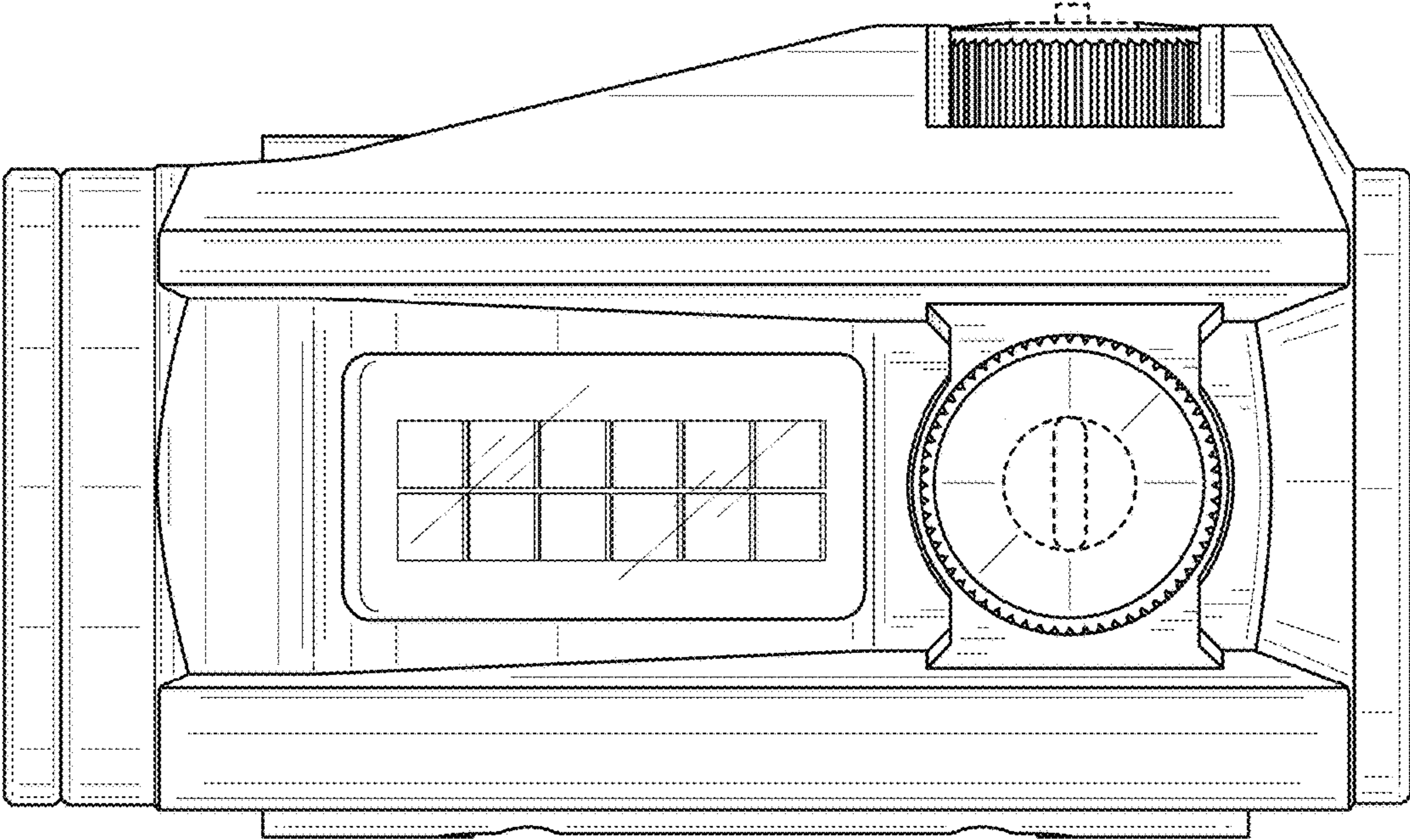


FIG. 4

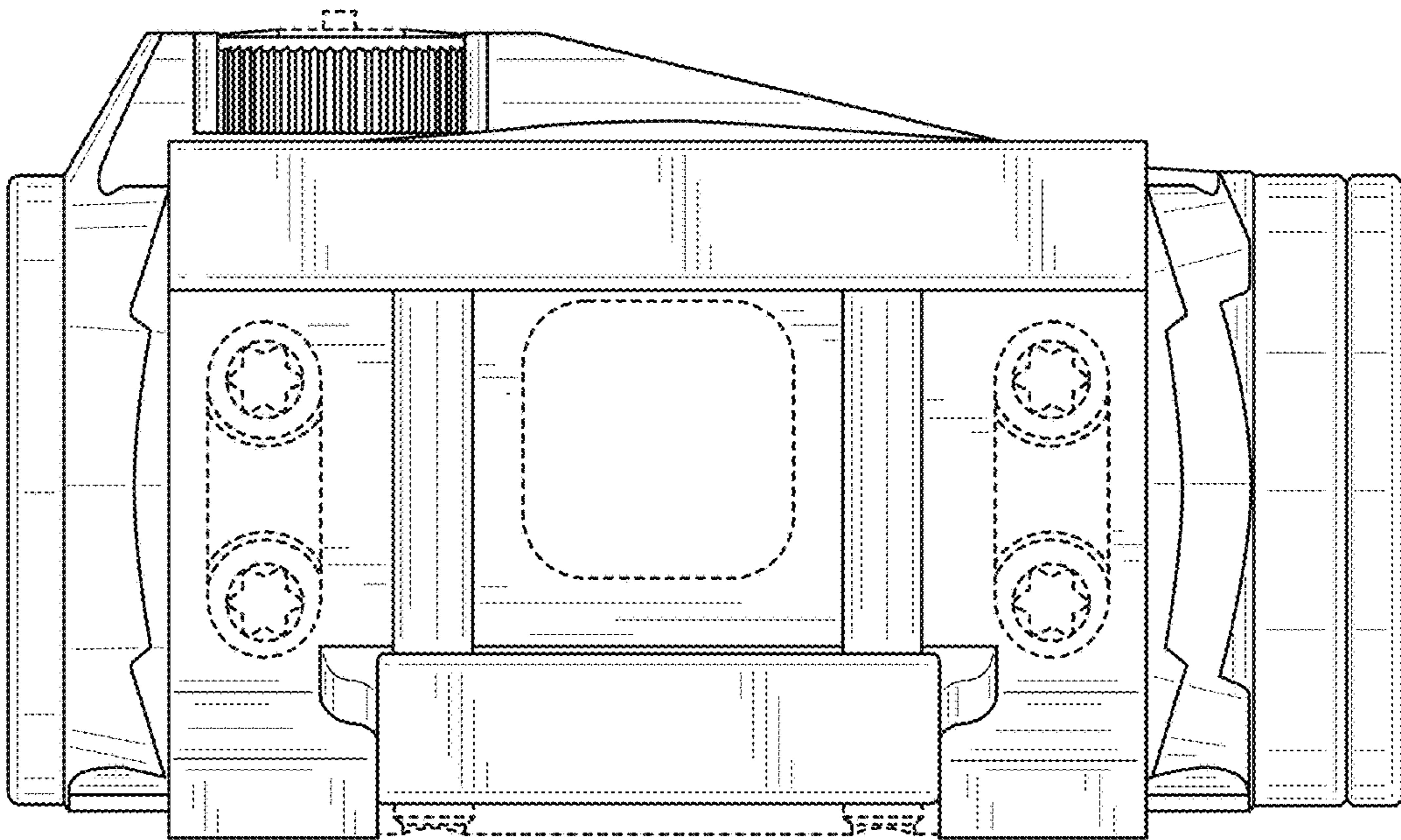


FIG. 5

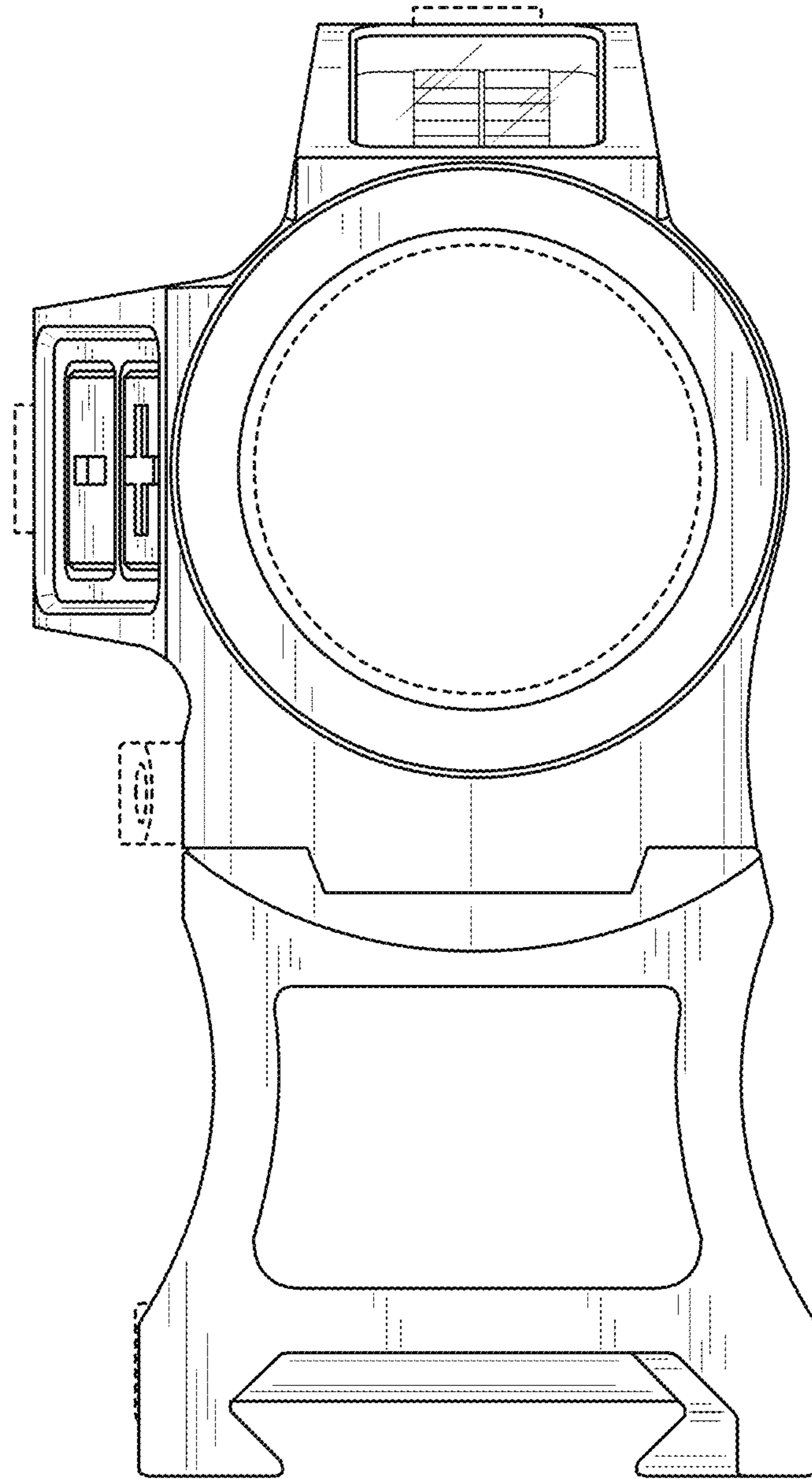


FIG. 6

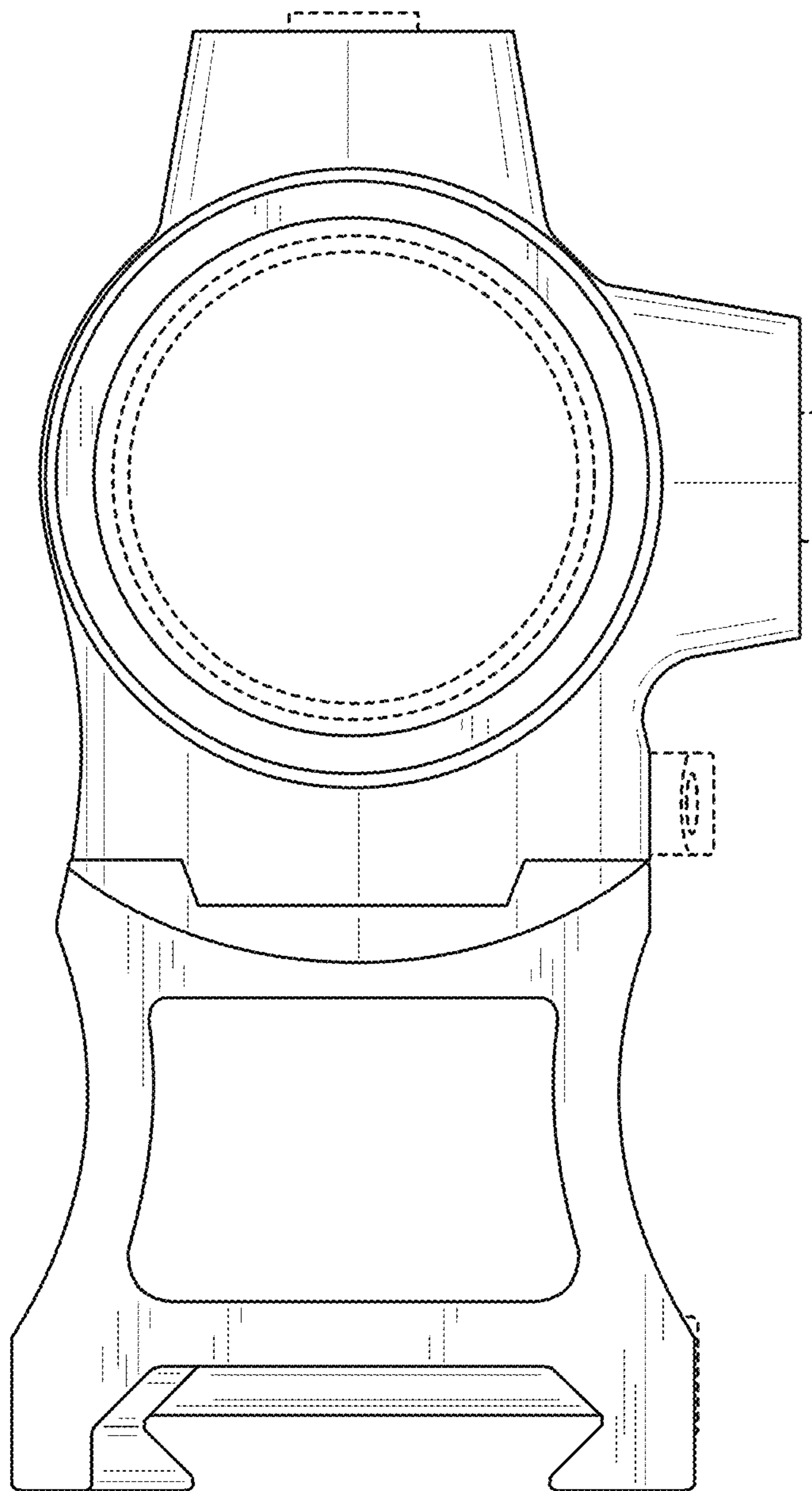


FIG. 7