



US00D819157S

(12) **United States Design Patent**
Kjellberg

(10) **Patent No.:** **US D819,157 S**

(45) **Date of Patent:** **** May 29, 2018**

(54) **CONCEALABLE FIREARM**

- (71) Applicant: **Ideal Conceal Inc.**, Monticello, MN (US)
- (72) Inventor: **Kirk Kjellberg**, Monticello, MN (US)
- (73) Assignee: **Ideal Conceal Inc.**, Minneapolis, MN (US)
- (**) Term: **15 Years**

(21) Appl. No.: **29/576,998**

(22) Filed: **Sep. 8, 2016**

(51) **LOC (11) Cl.** **22-01**

(52) **U.S. Cl.**
USPC **D22/104**

(58) **Field of Classification Search**
USPC D22/104, 108
CPC F41C 3/14; F41C 3/16; F41C 3/04
See application file for complete search history.

(56) **References Cited**

U.S. PATENT DOCUMENTS

1,637,079	A *	7/1927	Karner, Jr.	F41A 19/22 42/1.08
4,489,515	A *	12/1984	Numbers	F41C 3/00 42/40
4,722,148	A *	2/1988	Walker	F41A 19/23 42/40
D400,633	S *	11/1998	Chapman	D22/100
6,655,065	B1 *	12/2003	Chapman	F41C 3/16 42/44
D686,685	S *	7/2013	Kohout	D22/104
8,495,831	B1 *	7/2013	Kohout	F41C 3/00 42/42.03
D707,780	S *	6/2014	Heizer	D22/104
D732,625	S *	6/2015	Heizer	F41A 3/86 D22/104
9,062,929	B2 *	6/2015	Kohout	F41C 3/00

(Continued)

OTHER PUBLICATIONS

<http://www.thefirearmblog.com/blog/2017/08/04/trailblazer-fire-arms-announces-folding-lifecard-pistol/>[Mar. 13, 2018 12:30:25 PM] (Year : 2017).*

Primary Examiner — Michael A. Pratt

(74) *Attorney, Agent, or Firm* — Winthrop & Weinstine, P.A.

(57) **CLAIM**

We claim the ornamental design for concealable firearm, as shown.

DESCRIPTION

FIG. 1 is an isometric view of a concealable firearm in an in-use position.

FIG. 2 is a front plan view of the concealable firearm depicted in FIG. 1.

FIG. 3 is a rear plan view of the concealable firearm depicted in FIG. 1.

FIG. 4 is a top plan view of the concealable firearm depicted in FIG. 1.

FIG. 5 is a bottom plan view of the concealable firearm depicted in FIG. 1.

FIG. 6 is a right side elevation view of the concealable firearm depicted in FIG. 1.

FIG. 7 is a left side elevation view of the concealable firearm depicted in FIG. 1.

FIG. 8 is a front plan view of the concealable firearm depicted in FIG. 1 in its stored position.

FIG. 9 is a rear plan view of the concealable firearm depicted in FIG. 8.

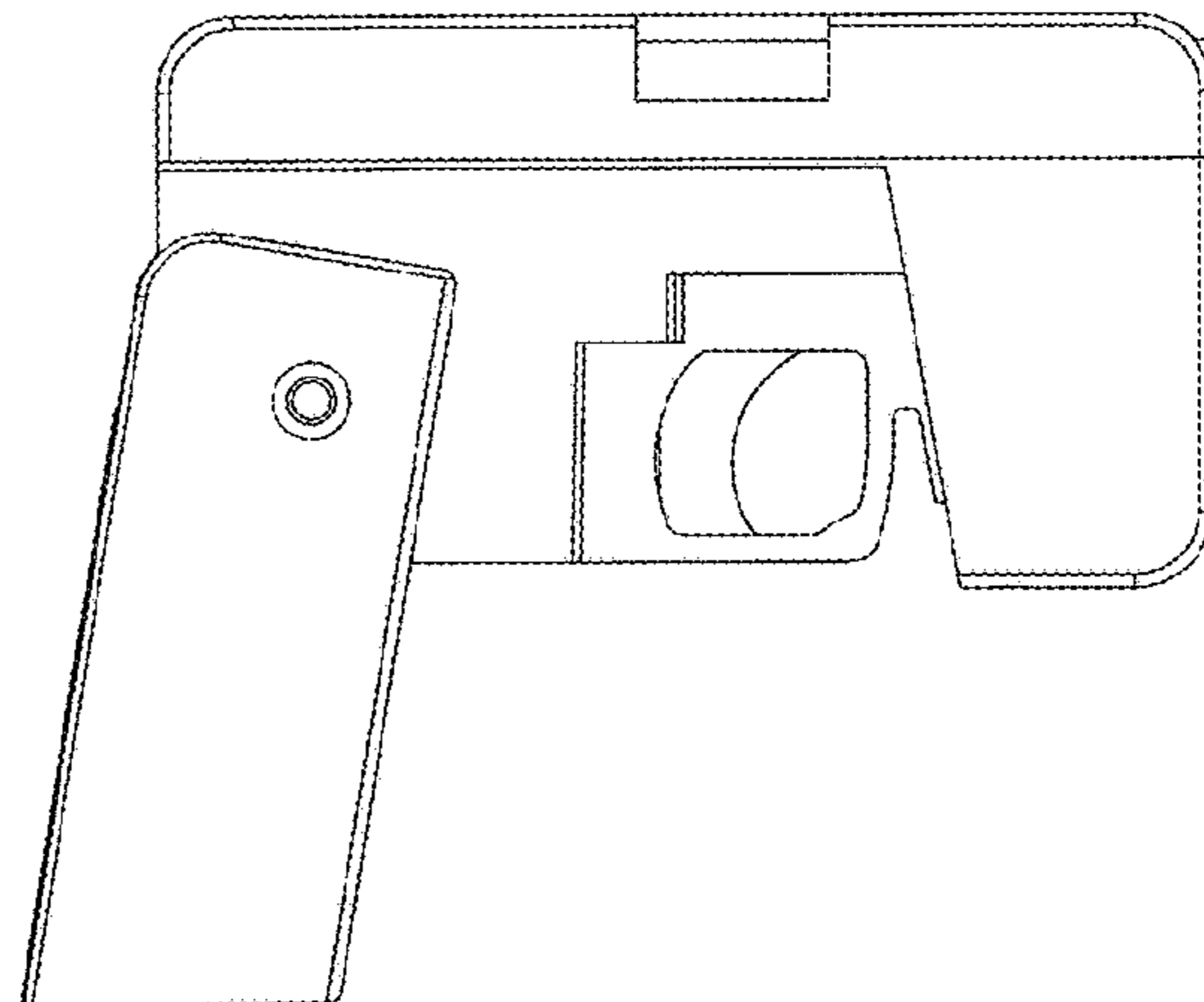
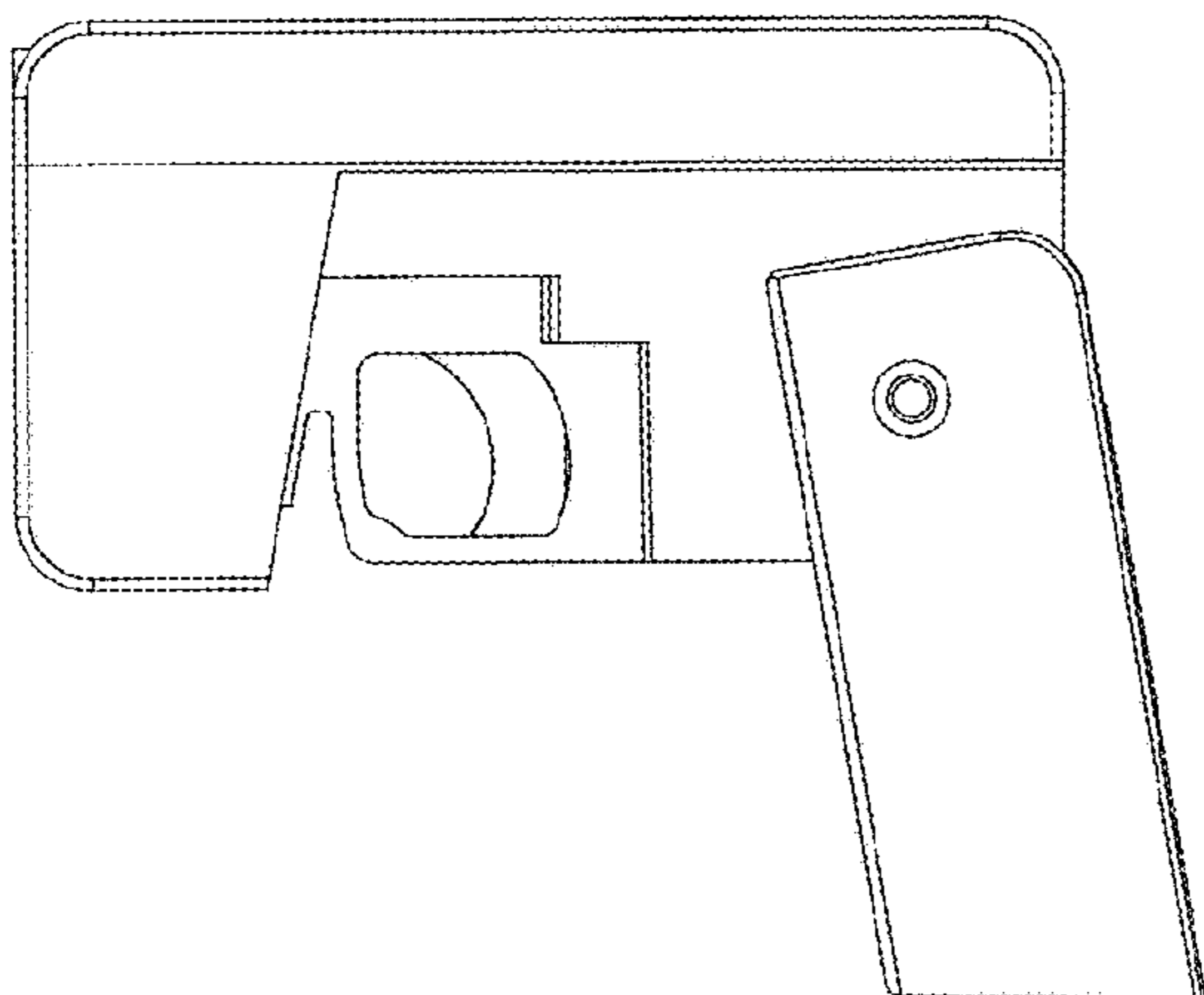
FIG. 10 is a top plan view of the concealable firearm depicted in FIG. 8.

FIG. 11 is a bottom plan view of the concealable firearm depicted in FIG. 8.

FIG. 12 is a right side elevation view of the concealable firearm depicted in FIG. 8; and,

FIG. 13 is a left side elevation view of the concealable firearm depicted in FIG. 8.

1 Claim, 13 Drawing Sheets



(56)

References Cited

U.S. PATENT DOCUMENTS

9,127,903 B2 * 9/2015 Kresser F41C 3/00
2017/0205186 A1 * 7/2017 Kjellberg F41C 9/02

* cited by examiner

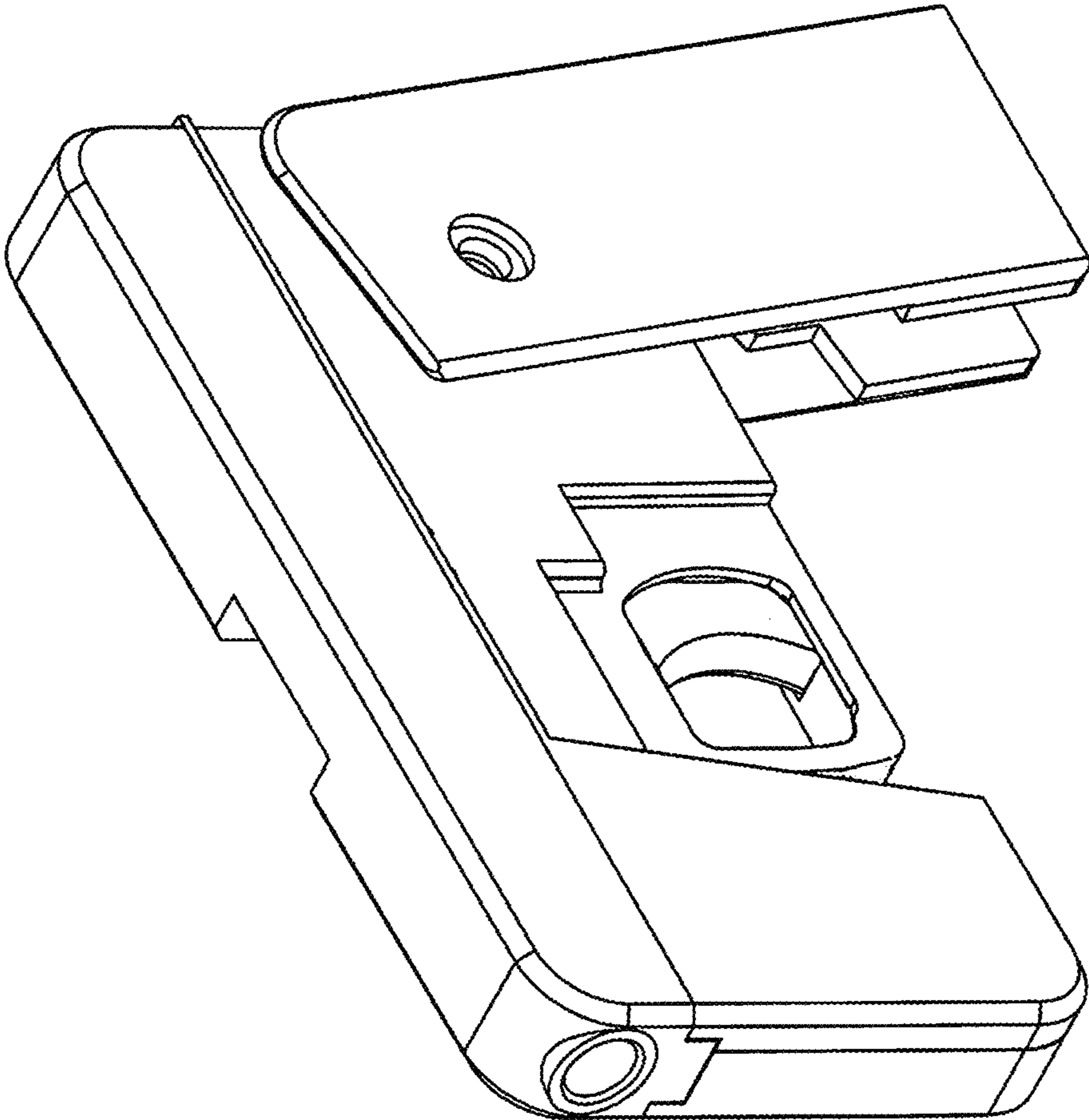


FIG. 1

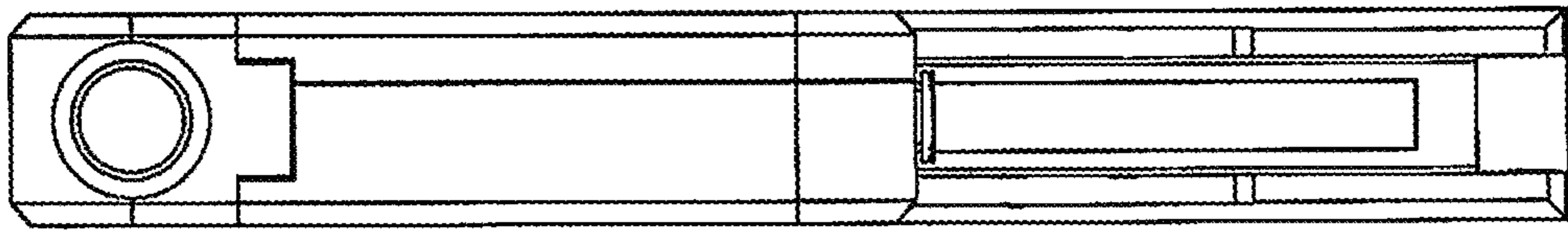


FIG. 2

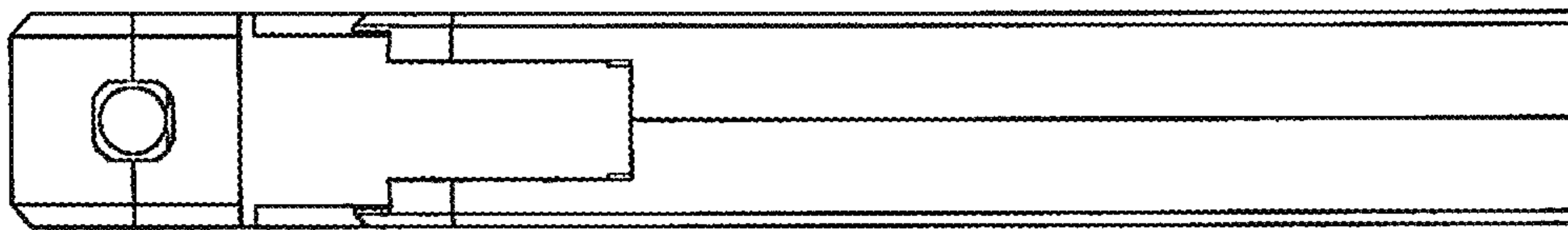


FIG. 3

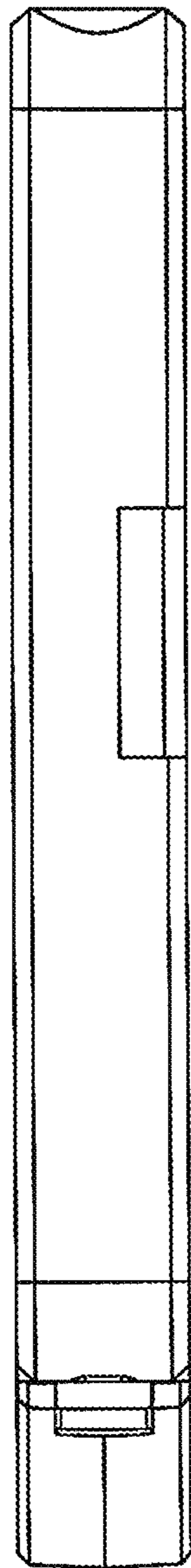


FIG. 4

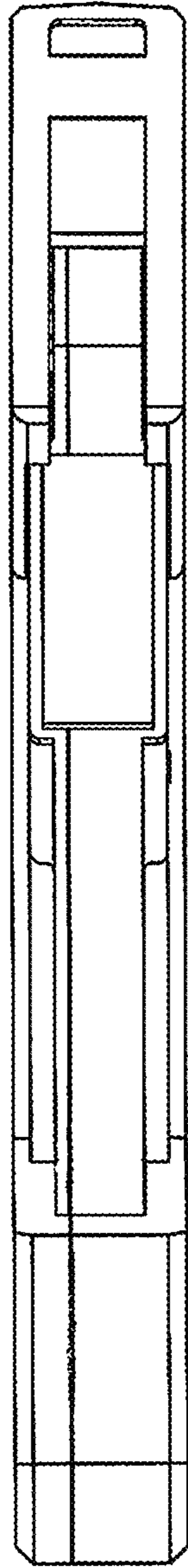


FIG. 5

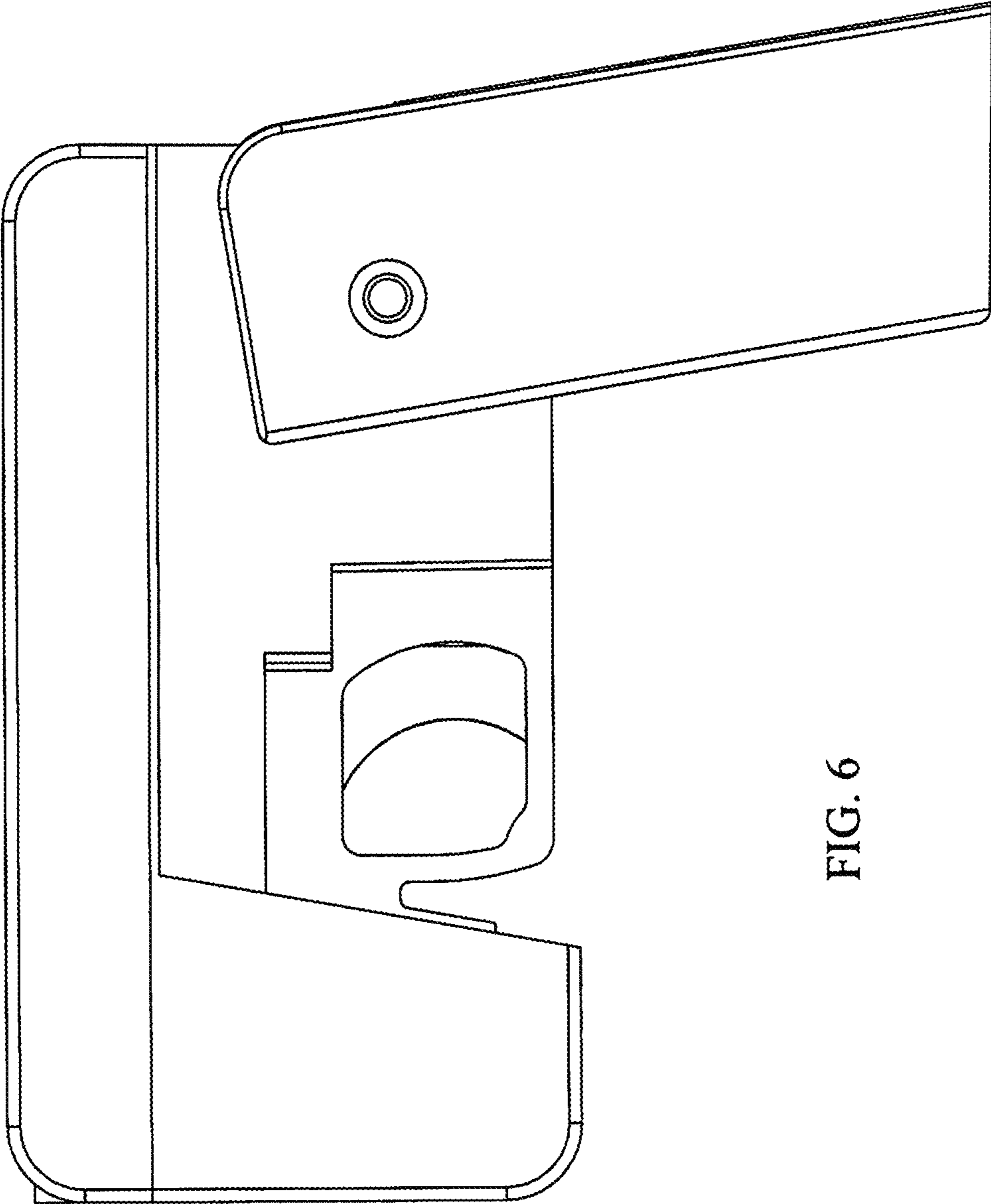


FIG. 6

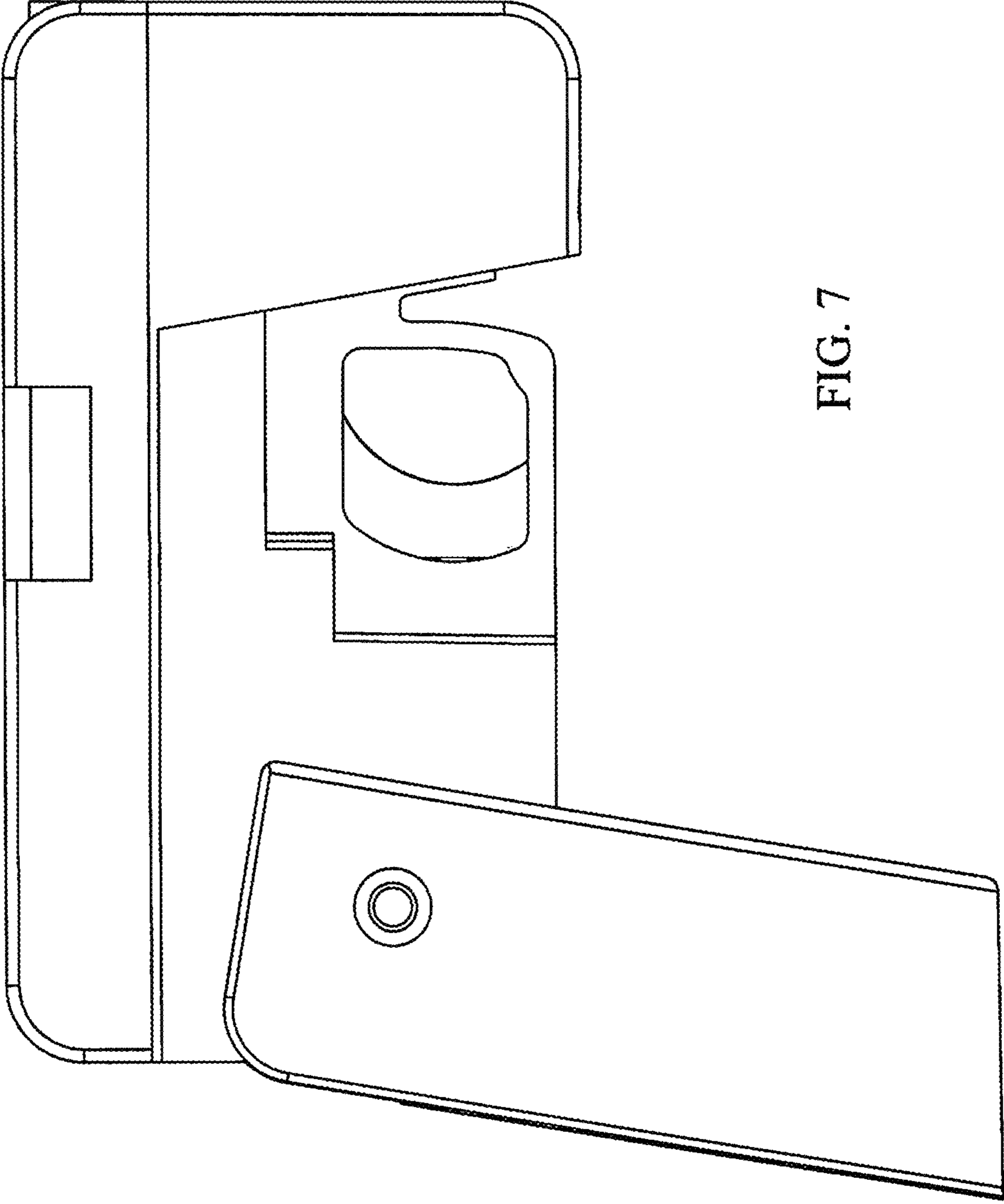


FIG. 7

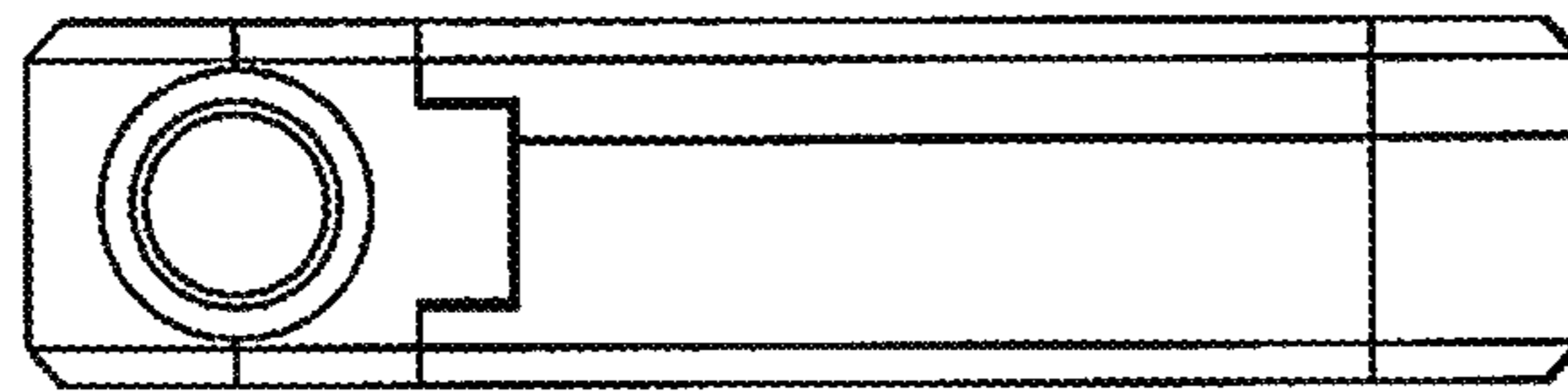


FIG. 8

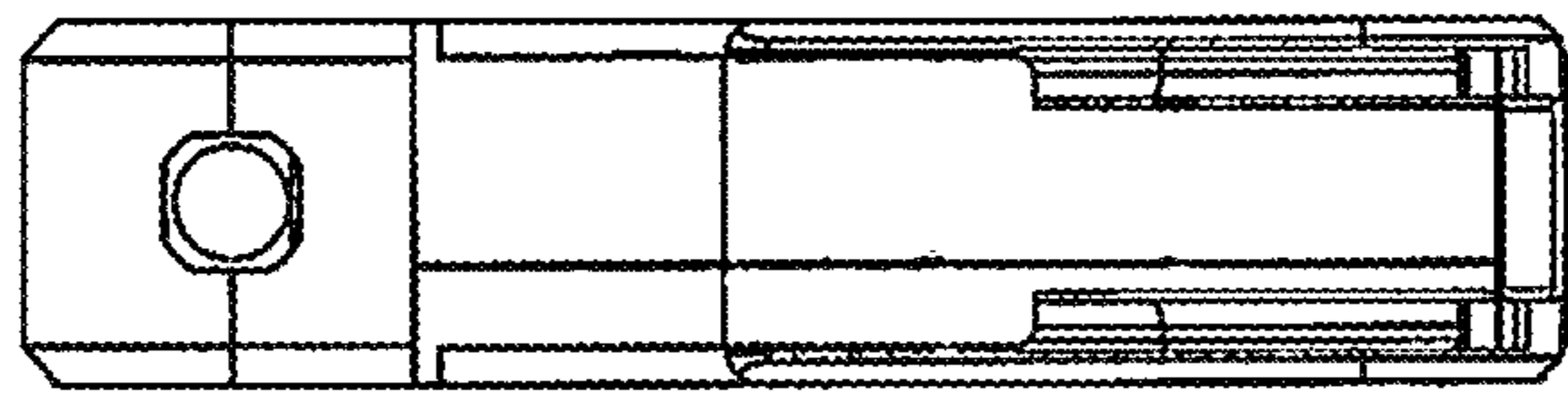


FIG. 9

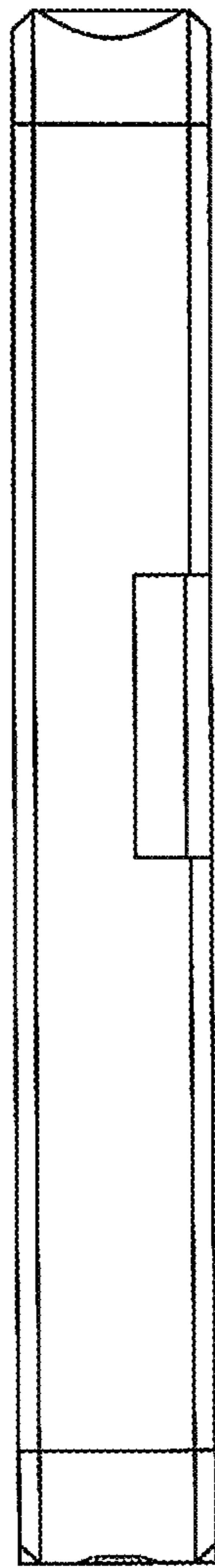


FIG. 10

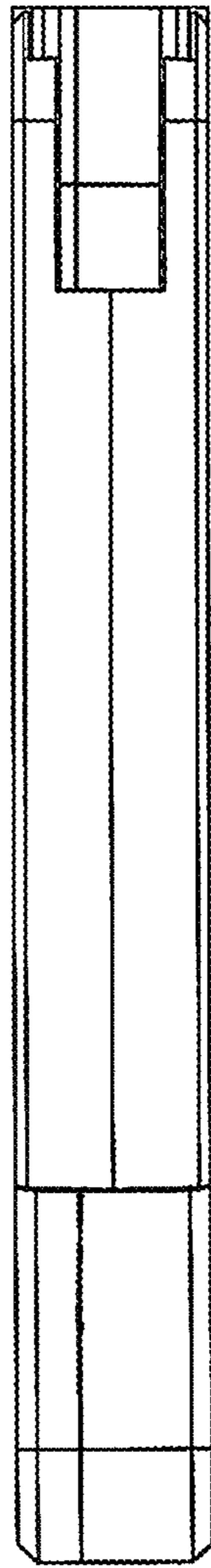


FIG. 11

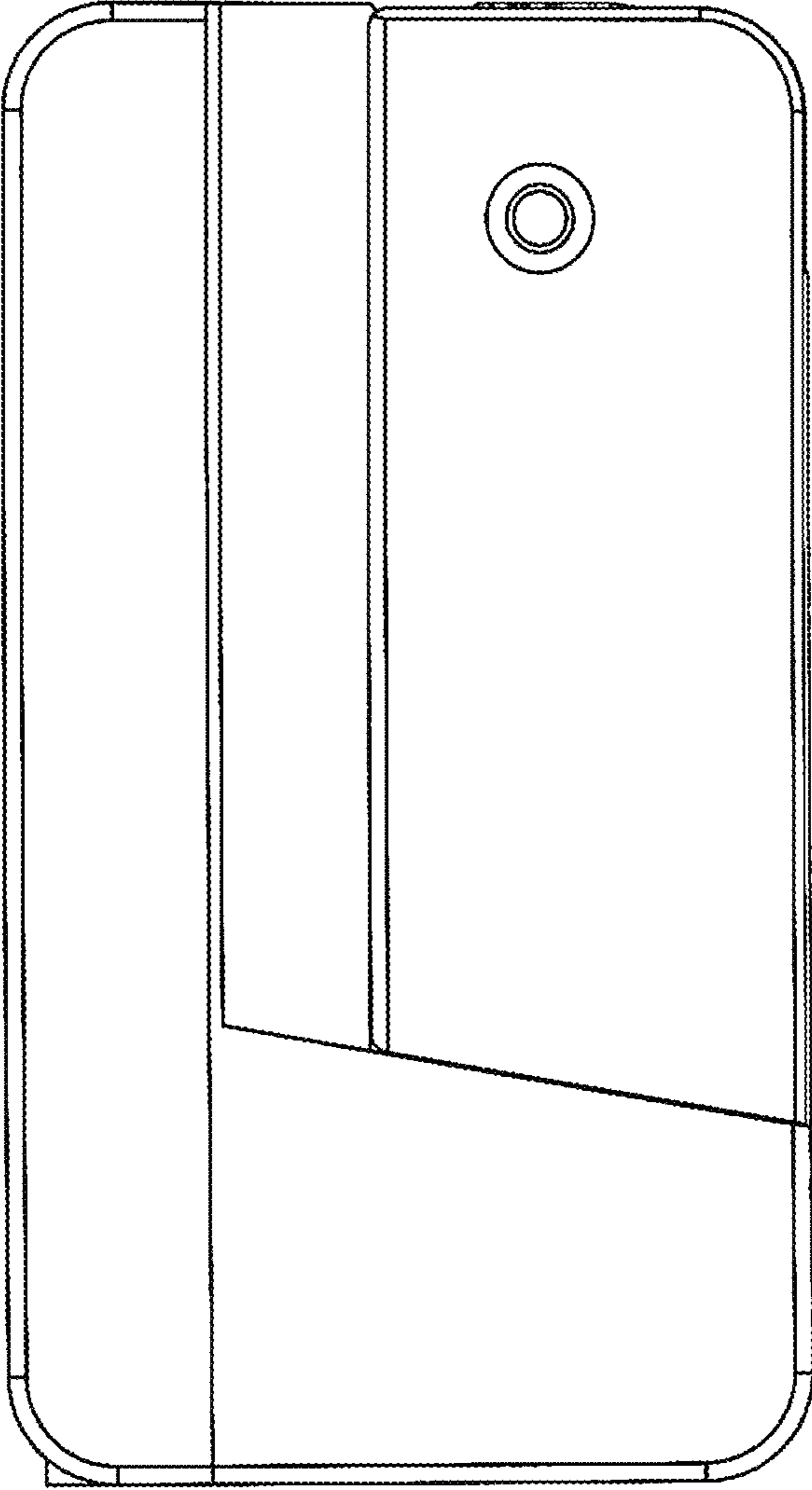


FIG. 12

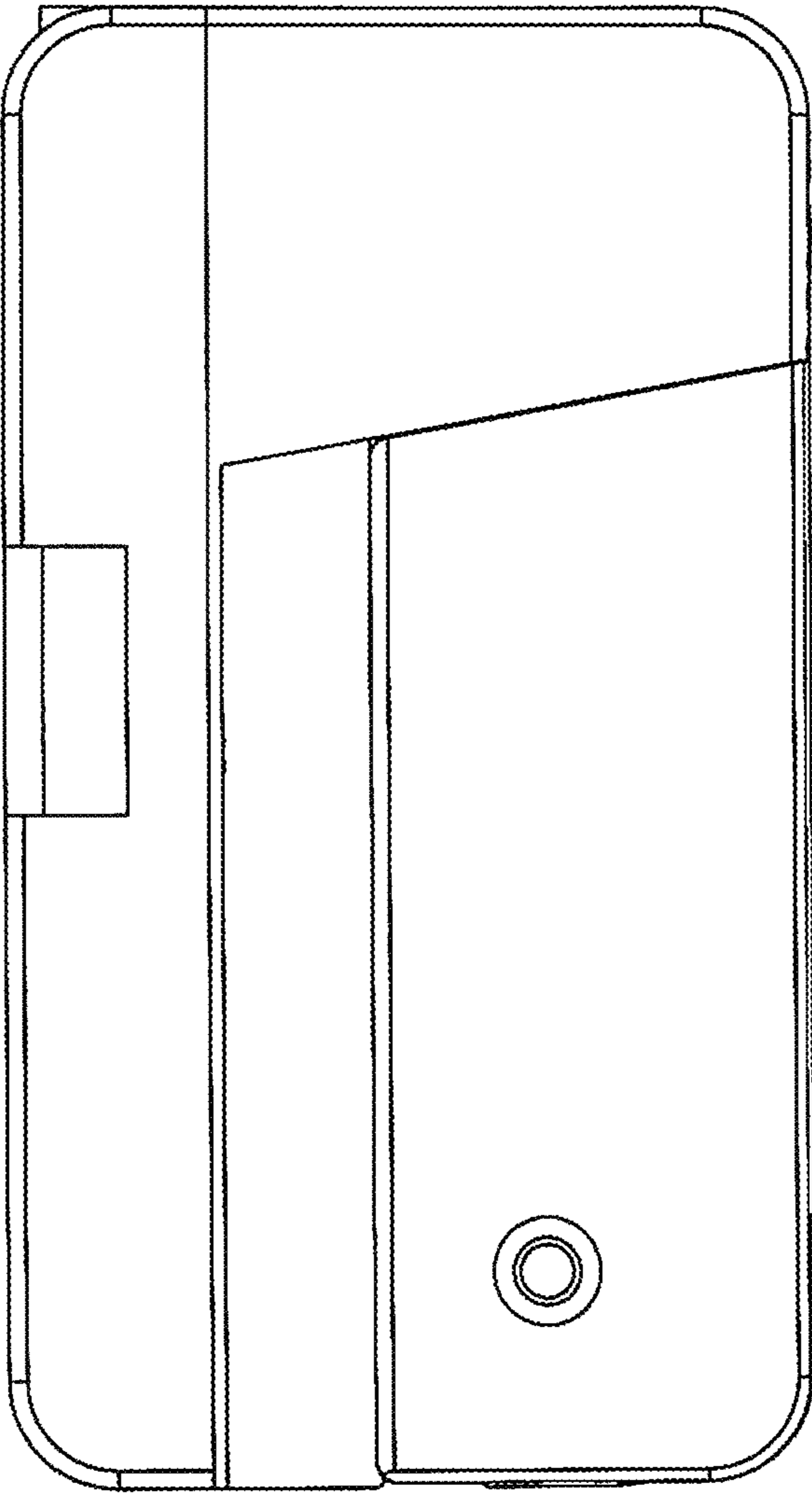


FIG. 13