



US00D819154S

(12) **United States Design Patent**
Fraser

(10) **Patent No.:** **US D819,154 S**
(45) **Date of Patent:** **** May 29, 2018**

- (54) **SWIM FIN**
- (71) Applicant: **Michael Ferrar Fraser**, San Diego, CA (US)
- (72) Inventor: **Michael Ferrar Fraser**, San Diego, CA (US)
- (73) Assignee: **Michael F. Fraser**, San Diego, CA (US)
- (**) Term: **15 Years**
- (21) Appl. No.: **29/593,581**
- (22) Filed: **Feb. 10, 2017**
- (51) **LOC (11) Cl.** **21-06**
- (52) **U.S. Cl.**
USPC **D21/806**
- (58) **Field of Classification Search**
USPC D21/597, 599, 646, 769, 770, 771, 778,
D21/792, 801, 803, 804, 805, 806, 807,
D21/808, 810, 814, 818, 819
CPC A41D 13/0518; A63B 2208/03; A63B
2225/605; A63B 31/00; A63B 31/10;
A63B 69/14; A63B 21/66; A63B 31/11;
B63C 11/02

See application file for complete search history.

(56) **References Cited**

U.S. PATENT DOCUMENTS

D161,536 S *	1/1951	Romano	D21/806
4,948,385 A *	8/1990	Hall	A63B 31/11 441/61
5,108,328 A *	4/1992	Hull	A63B 31/11 441/61
D328,325 S *	7/1992	Mitchell	D21/806
D349,552 S *	8/1994	Fleming	D21/806
D363,105 S *	10/1995	Parr	D21/806
6,086,440 A *	7/2000	Fechtner	A63B 31/11 441/64

6,247,983 B1 *	6/2001	Yeh	A63B 31/11 441/64
6,435,926 B1 *	8/2002	Yeh	A63B 31/11 441/64
2004/0029465 A1 *	2/2004	Hull	A63B 31/11 441/64

OTHER PUBLICATIONS

<https://www.amazon.com/HEAD-P-450000-SF044OR-P-Energy-Swim-Fin/dp/B00XM1WJXK>—Retrieved on Jan. 2, 2018.*
<https://www.amazon.com/TYR-SPORT-Burner-Medium-Yellow/dp/B003TQ6OMU>—Retrieved on Jan. 2, 2018.*

* cited by examiner

Primary Examiner — Manpreet S Matharu
Assistant Examiner — Mojtaba Tehrani

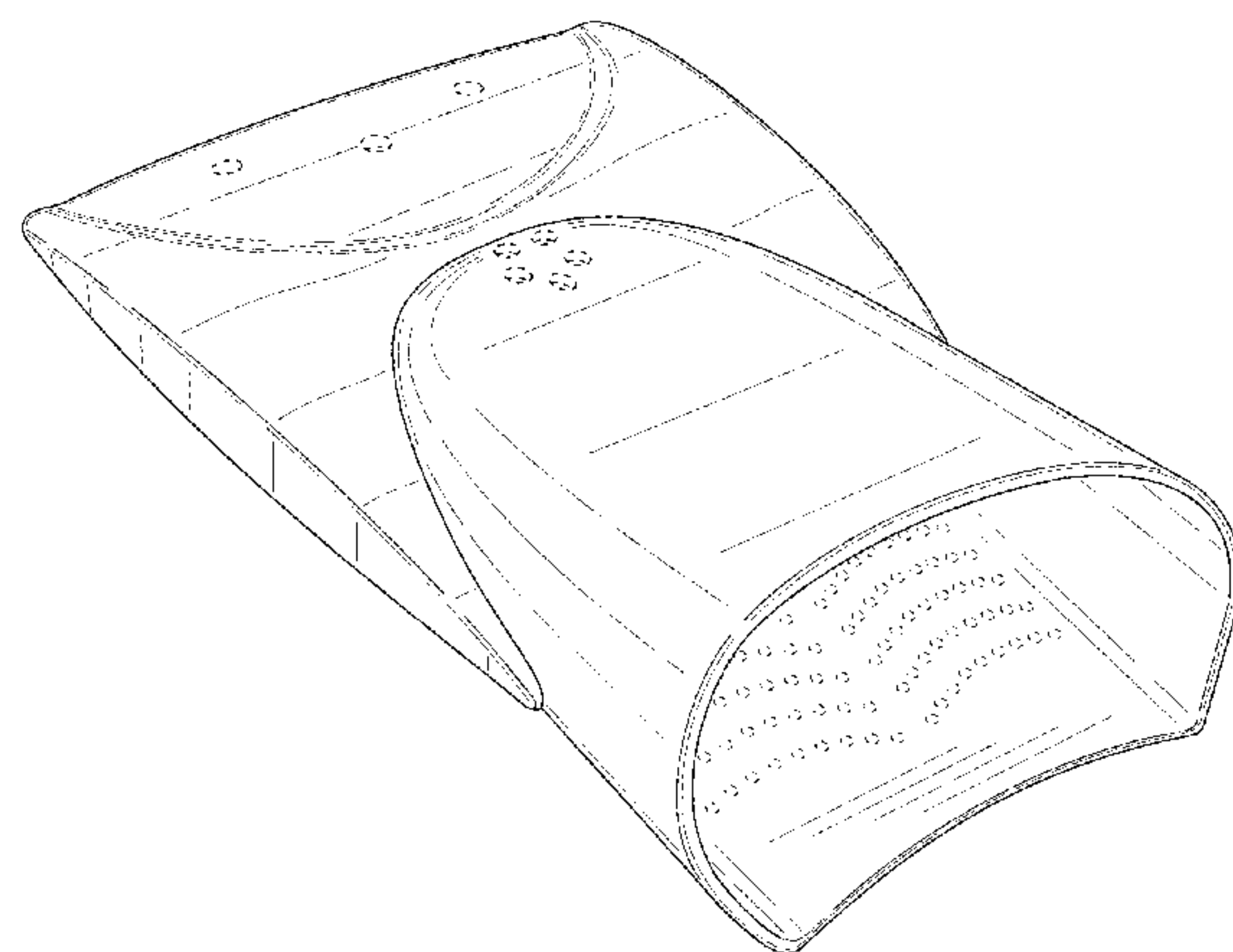
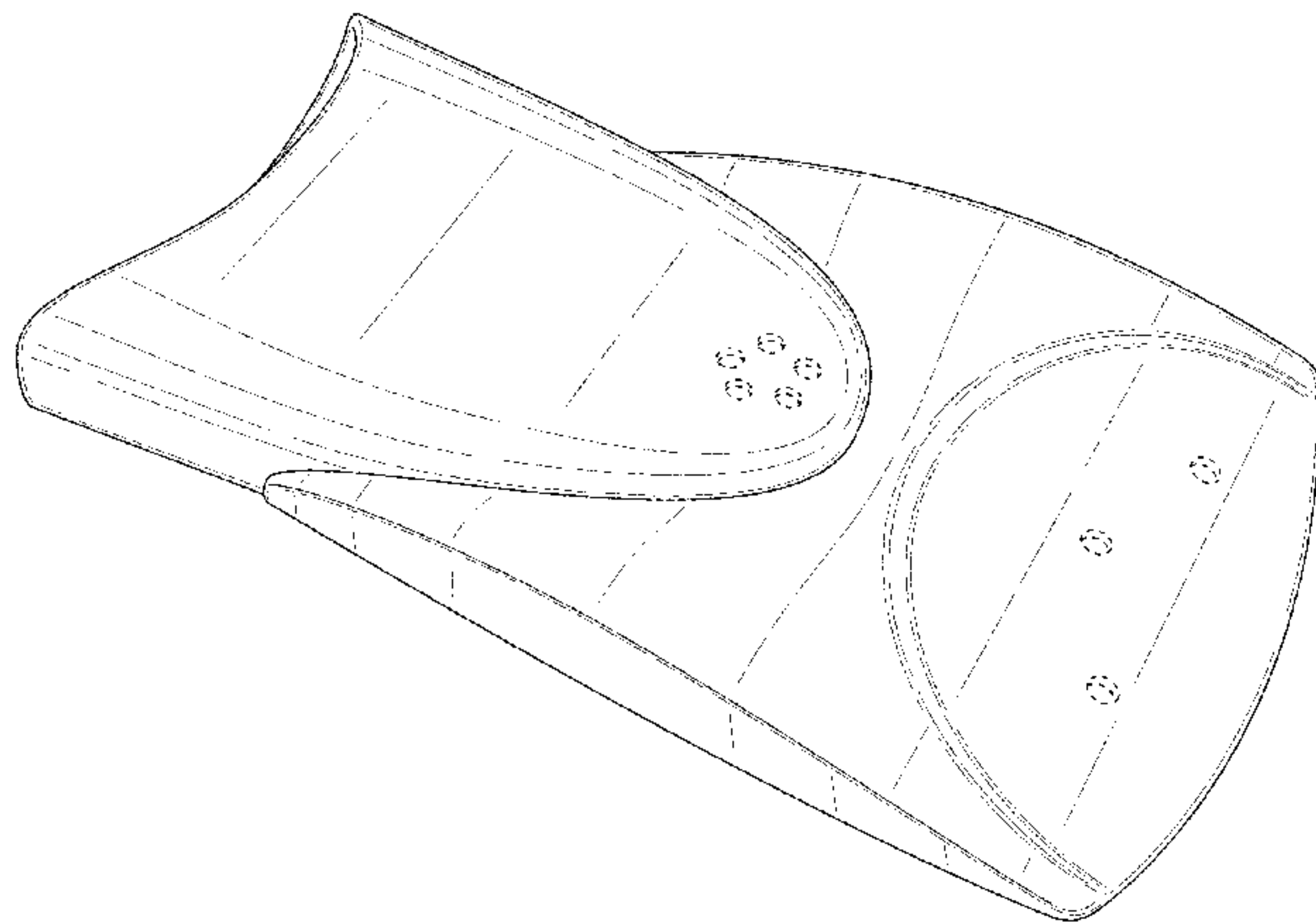
(57) **CLAIM**

The ornamental design for a swim fin, as shown.

DESCRIPTION

FIG. 1 is a top/front perspective of my new swim fin
 FIG. 2 is a top/rear perspective thereof
 FIG. 3 is a bottom/front perspective thereof
 FIG. 4 is a top view thereof
 FIG. 5 is a bottom view thereof
 FIG. 6 is a left-side view thereof (right-side view is mirror image)
 FIG. 7 is a section view thereof
 FIG. 8 is a front view thereof; and,
 FIG. 9 is a rear view thereof.
 The broken line in the figure drawings represents unclaimed portion of the design only and forms no part of the claim.

1 Claim, 7 Drawing Sheets



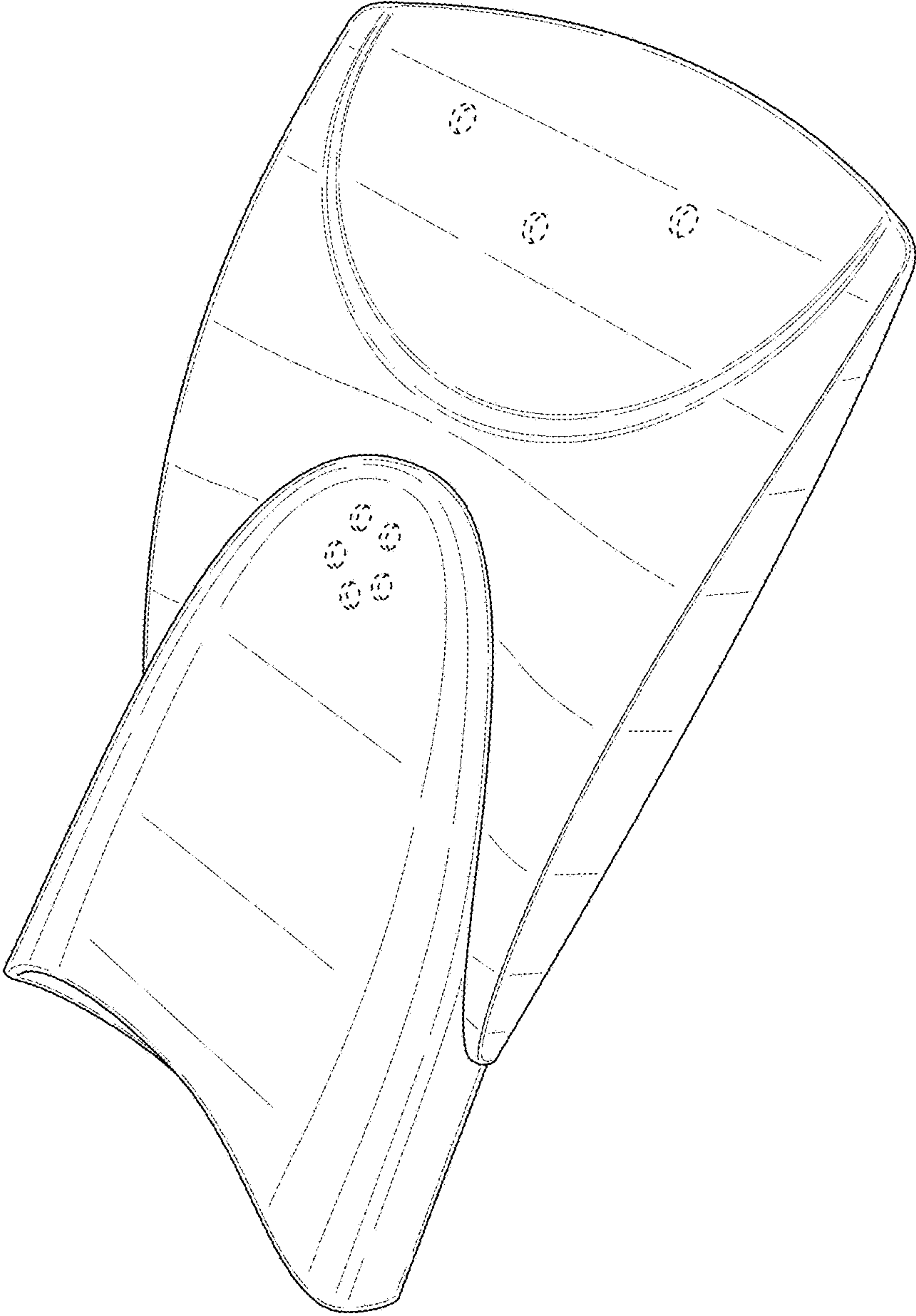


FIG. 1

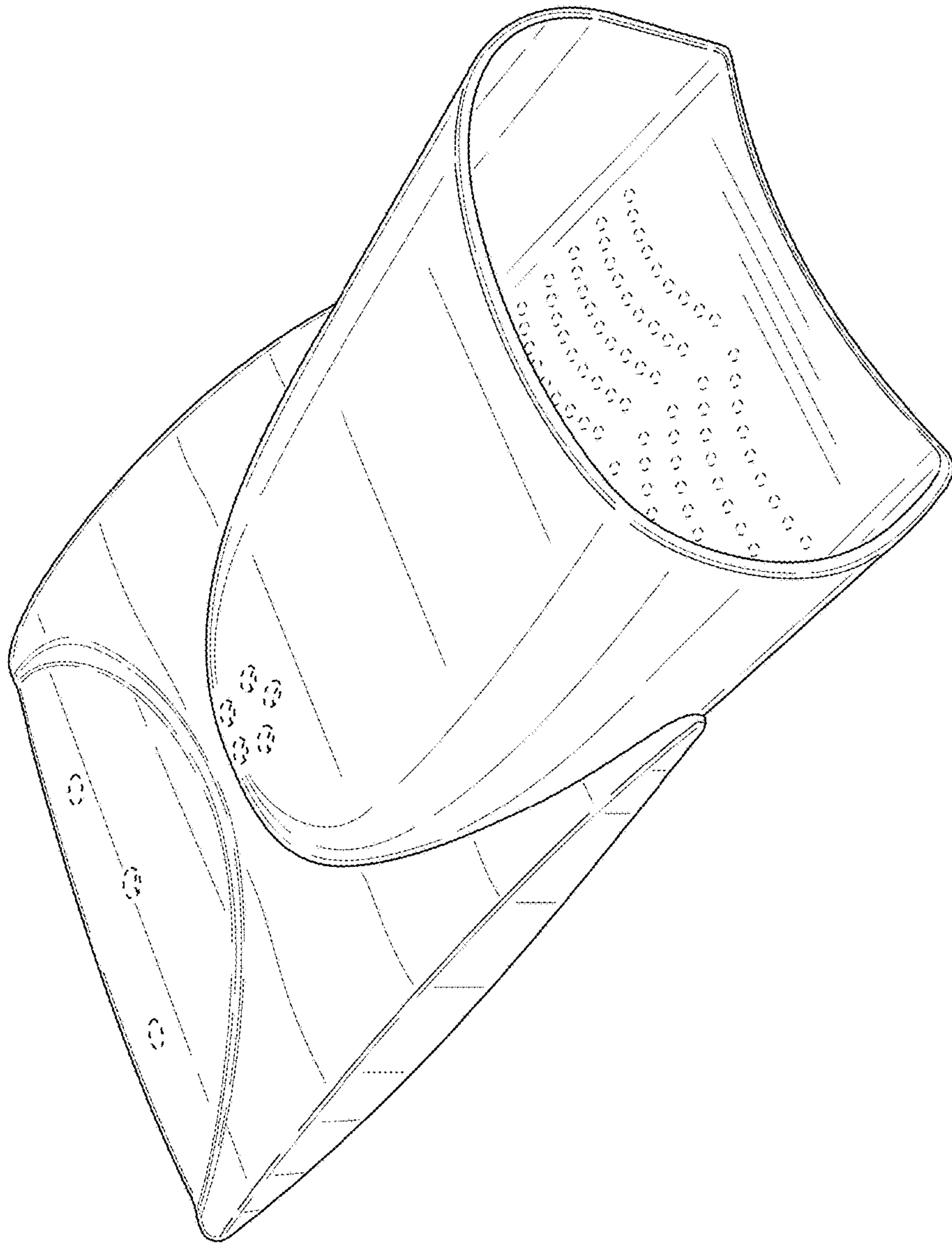


FIG. 2

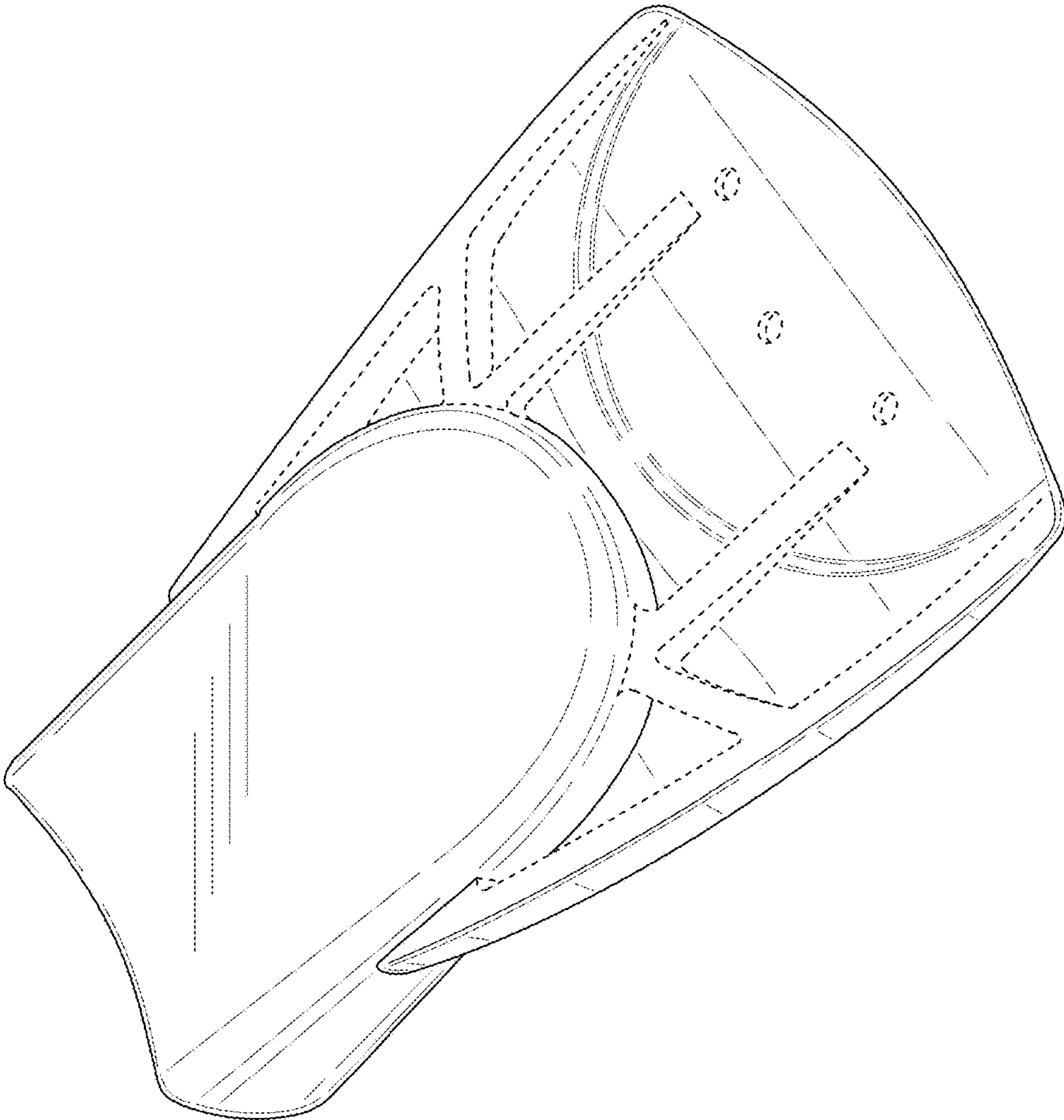


FIG. 3

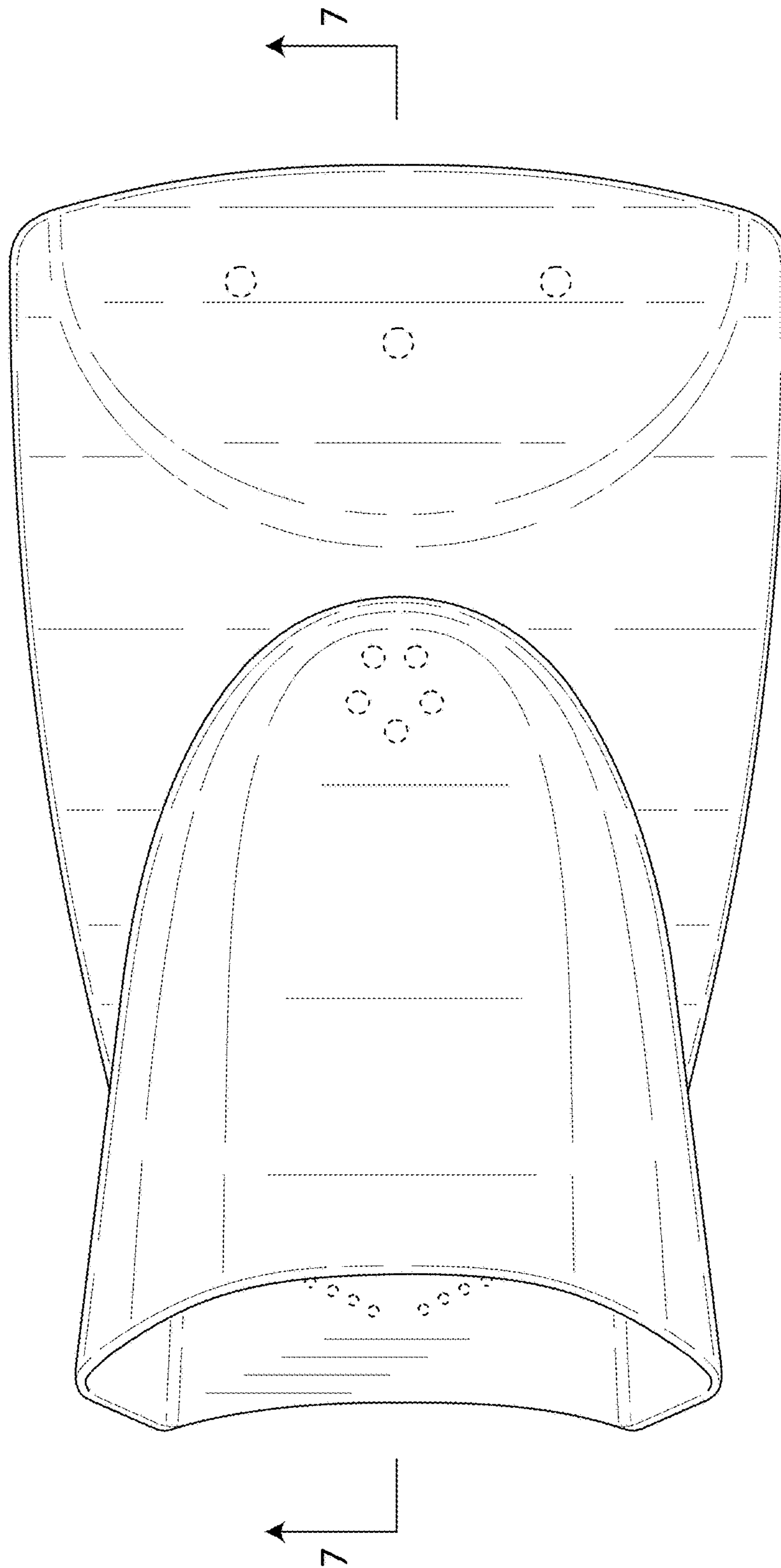


FIG. 4

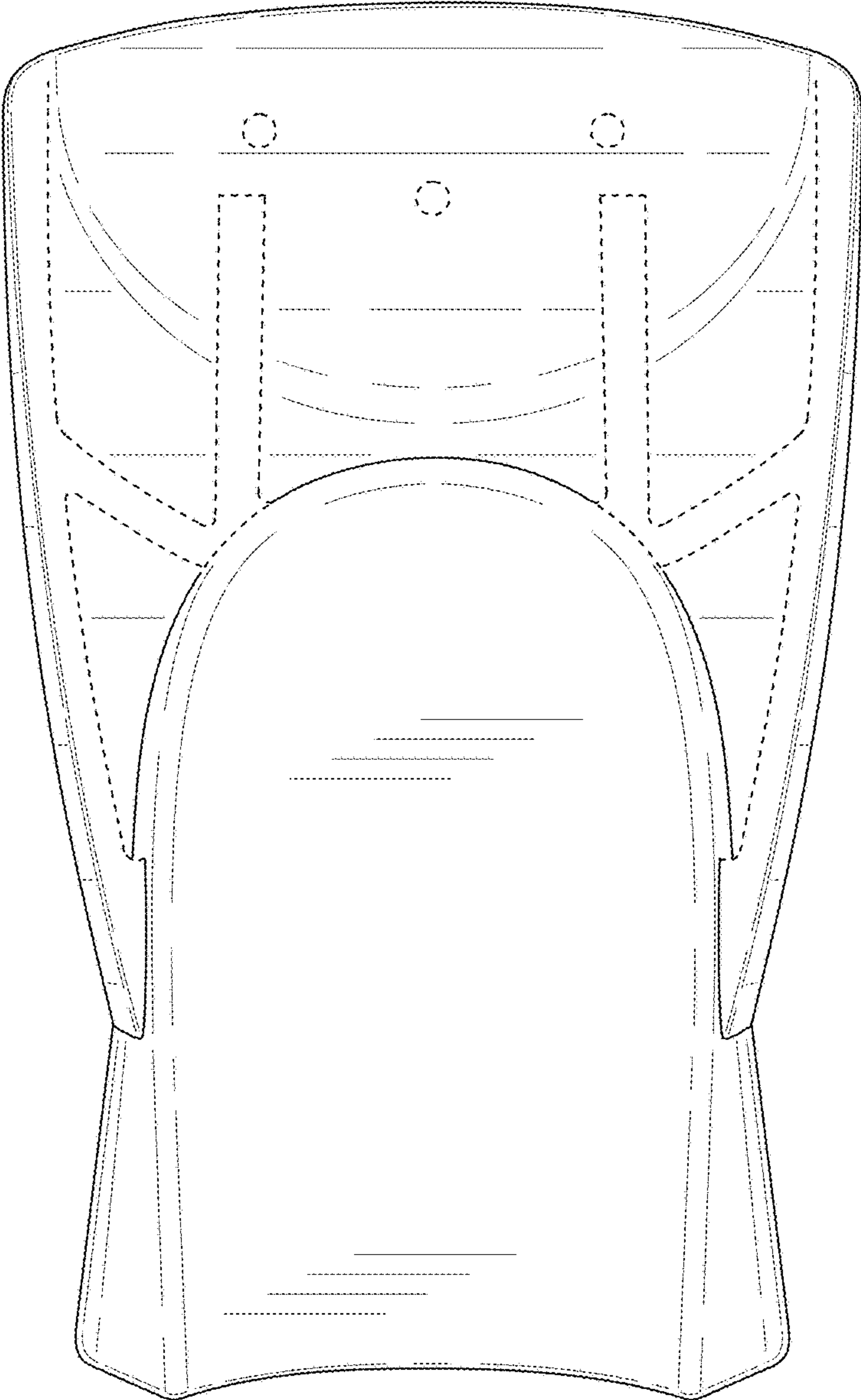


FIG. 5

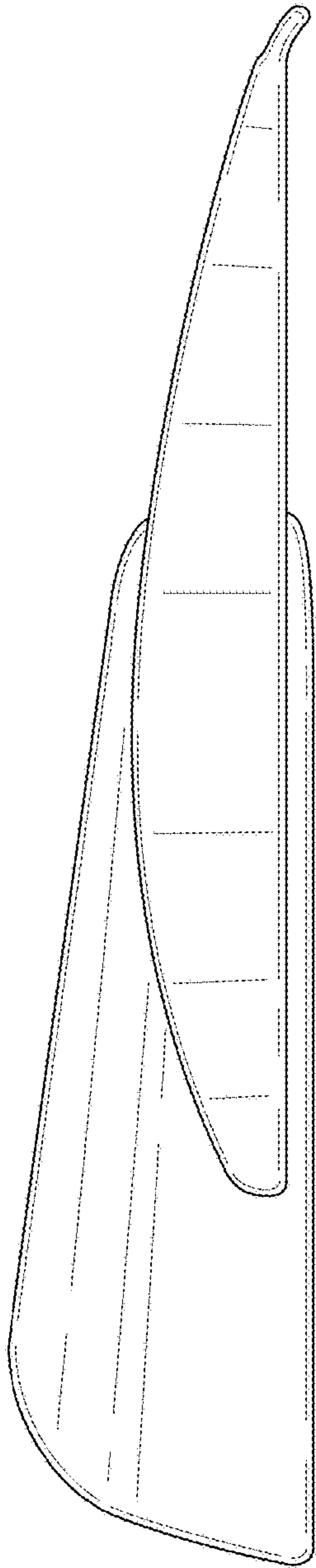


FIG. 6

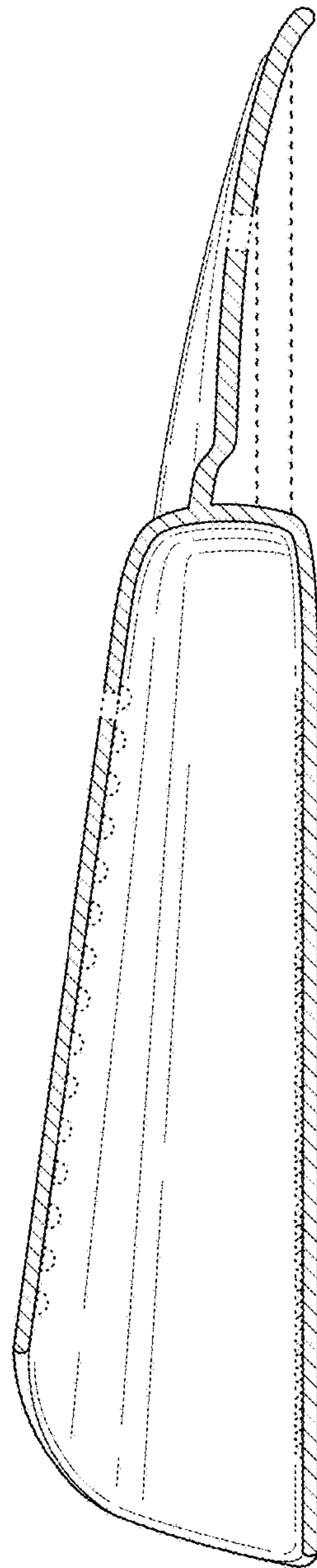


FIG. 7

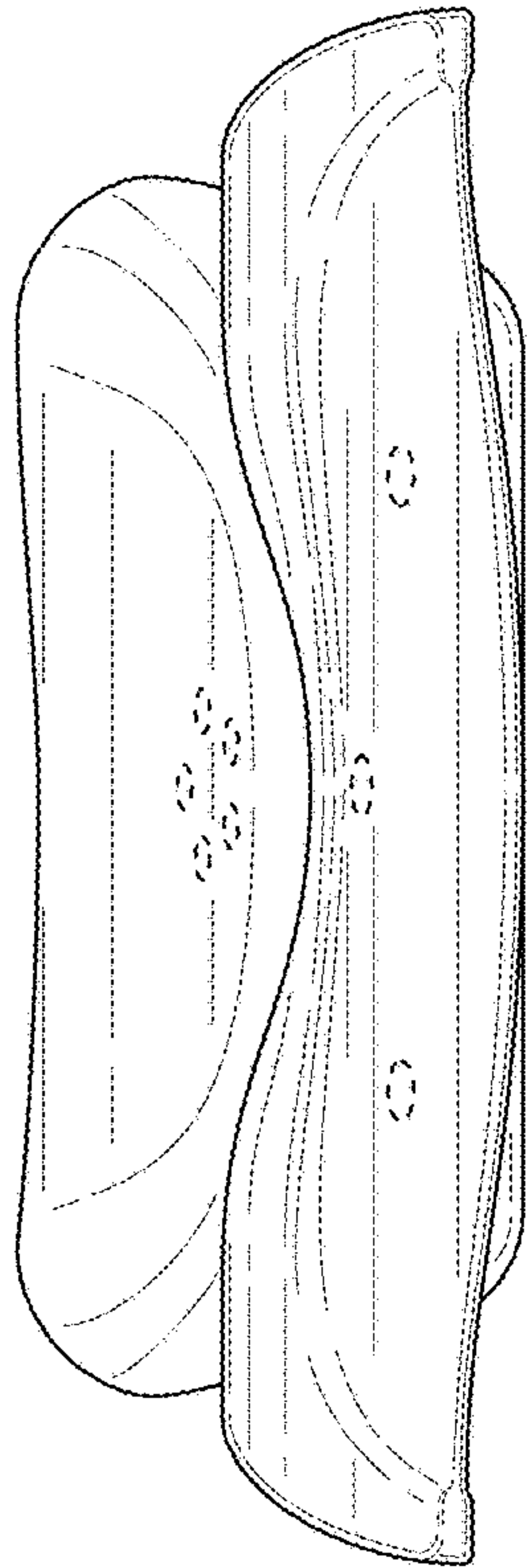


FIG. 8

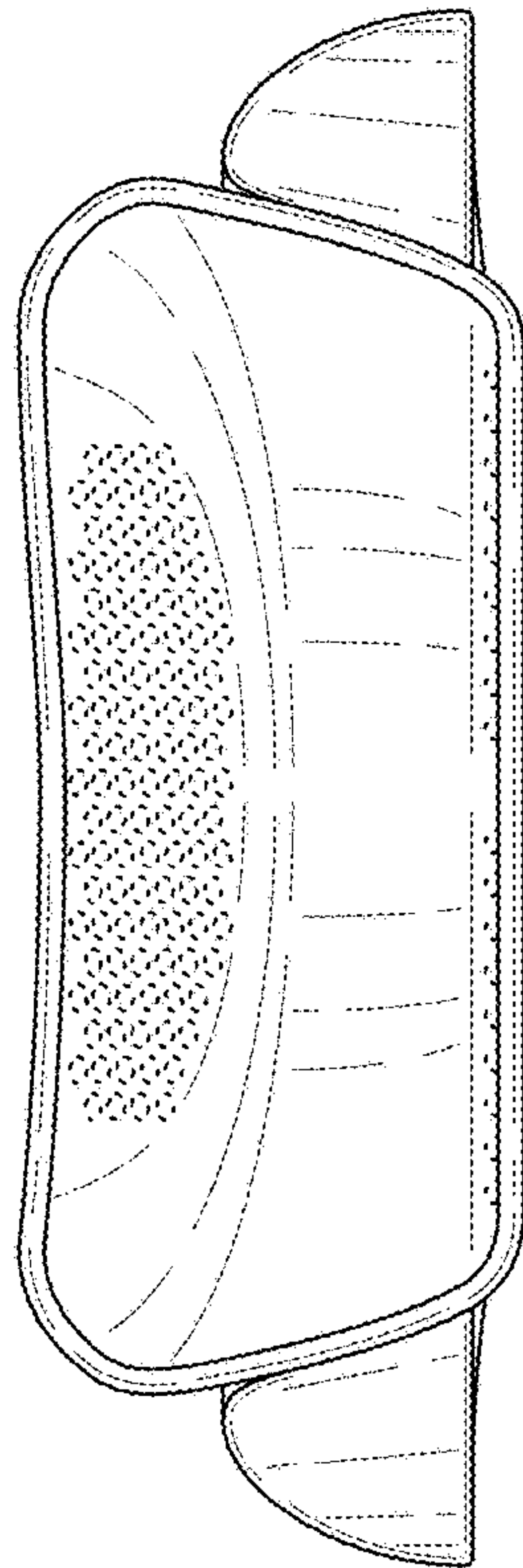


FIG. 9