



US00D819153S

(12) **United States Design Patent**  
**Landen et al.**

(10) **Patent No.:** **US D819,153 S**  
(45) **Date of Patent:** **\*\* May 29, 2018**

(54) **SWIM VEST**

(71) Applicant: **PTX Performance Products Inc.**,  
Toronto (CA)

(72) Inventors: **Ryan Landen**, Toronto (CA); **Robert Stewart**, Toronto (CA)

(73) Assignee: **PTX IP Holdings Inc.**, Toronto (CA)

(\*\*) Term: **15 Years**

(21) Appl. No.: **29/589,169**

(22) Filed: **Dec. 28, 2016**

(51) **LOC (11) Cl.** ..... **29-02**

(52) **U.S. Cl.**  
USPC ..... **D21/805; D29/101.4**

(58) **Field of Classification Search**  
USPC ..... D21/597, 599, 646, 769, 770, 771, 778,  
D21/792, 801, 803, 804, 805, 806, 807,  
(Continued)

(56) **References Cited**

**U.S. PATENT DOCUMENTS**

4,310,927 A 1/1982 DeBose  
4,993,076 A \* 2/1991 Dierickx ..... A41D 13/0158  
2/2.5

(Continued)

**OTHER PUBLICATIONS**

<https://www.youtube.com/watch?v=mGEDB4dZIUU>—Published  
May 16, 2016.\*

(Continued)

*Primary Examiner* — Manpreet S Matharu  
*Assistant Examiner* — Mojtaba Tehrani

(74) *Attorney, Agent, or Firm* — Knobbe, Martens, Olson  
& Bear, LLP

(57) **CLAIM**

The ornamental design for a swim vest, as shown and  
described.

**DESCRIPTION**

FIG. 1 is a top front perspective view of a swim vest  
according to our new design, shown in a retracted (unin-  
flated) configuration.

FIG. 2 is a right side elevation view of the swim vest of FIG.  
1.

FIG. 3 is a front elevation view of the swim vest of FIG. 1.

FIG. 4 is a left side elevation view of the swim vest of FIG.  
1.

FIG. 5 is a rear elevation view of the swim vest of FIG. 1.

FIG. 6 is a top plan elevation view of the swim vest of FIG.  
1.

FIG. 7 is a bottom plan view of the swim vest of FIG. 1.

FIG. 8 is a top front perspective view of a swim vest  
according to our new design, shown in an extended (inflated)  
configuration.

FIG. 9 is a right side elevation view of the swim vest of FIG.  
8.

FIG. 10 is a front elevation view of the swim vest of FIG.  
8.

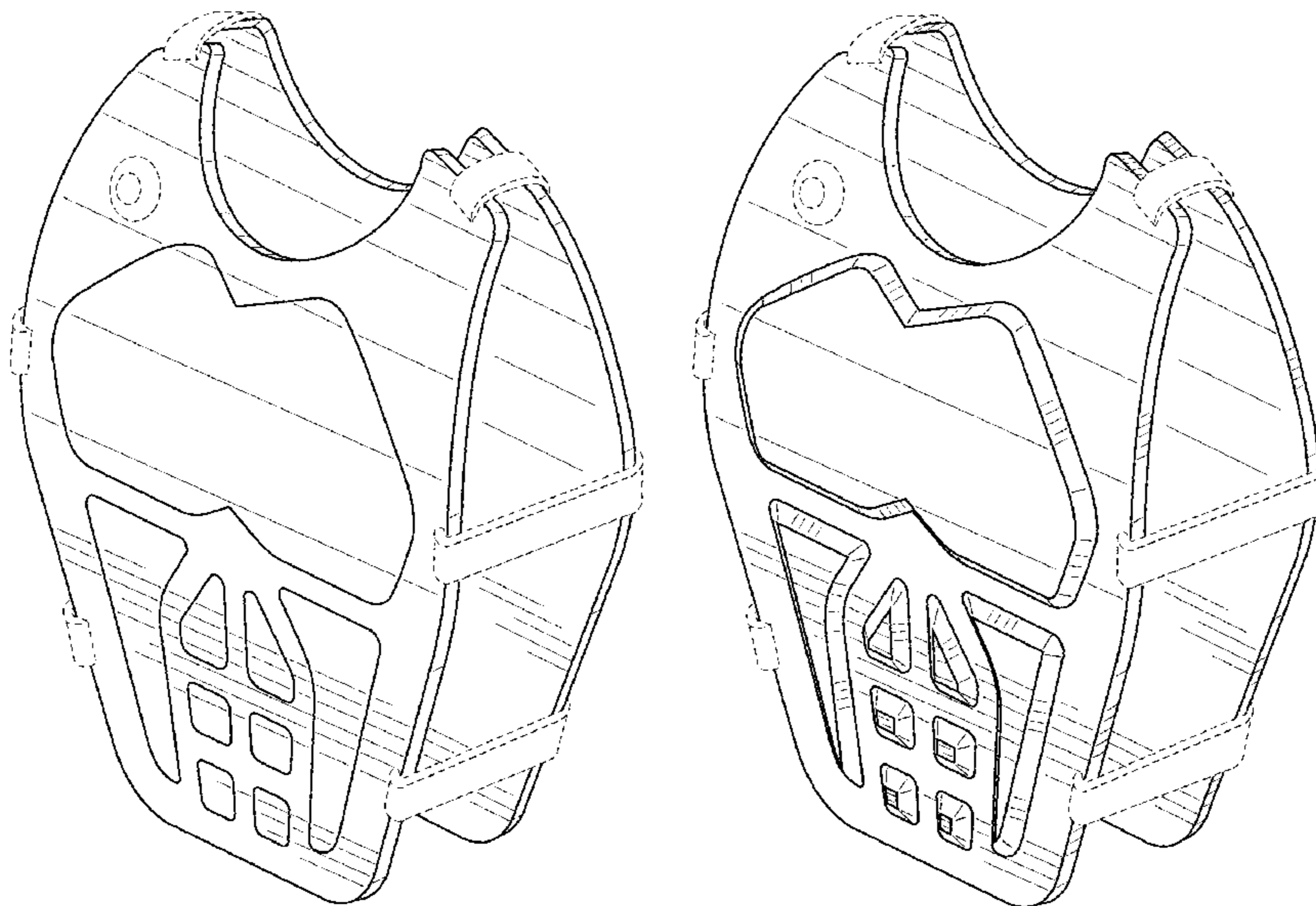
FIG. 11 is a left side elevation view of the swim vest of FIG.  
8.

FIG. 12 is a rear elevation view of the swim vest of FIG. 8.

FIG. 13 is a top plan elevation view of the swim vest of FIG.  
8; and,

FIG. 14 is a bottom plan view of the swim vest of FIG. 8.  
The broken line in the figure drawings represents unclaimed  
portion of the design only, which forms no part of the claim.

**1 Claim, 8 Drawing Sheets**



# US D819,153 S

Page 2

(58) **Field of Classification Search**

USPC ... D21/808, 810, 814, 818, 819; D29/101.3,  
D29/101.4  
CPC ..... A41D 13/0518; A63B 2208/03; A63B  
2225/605; A63B 31/00; A63B 31/10;  
A63B 69/14; A63B 21/66; A63B 31/11;  
A63B 11/02

See application file for complete search history.

(56) **References Cited**

U.S. PATENT DOCUMENTS

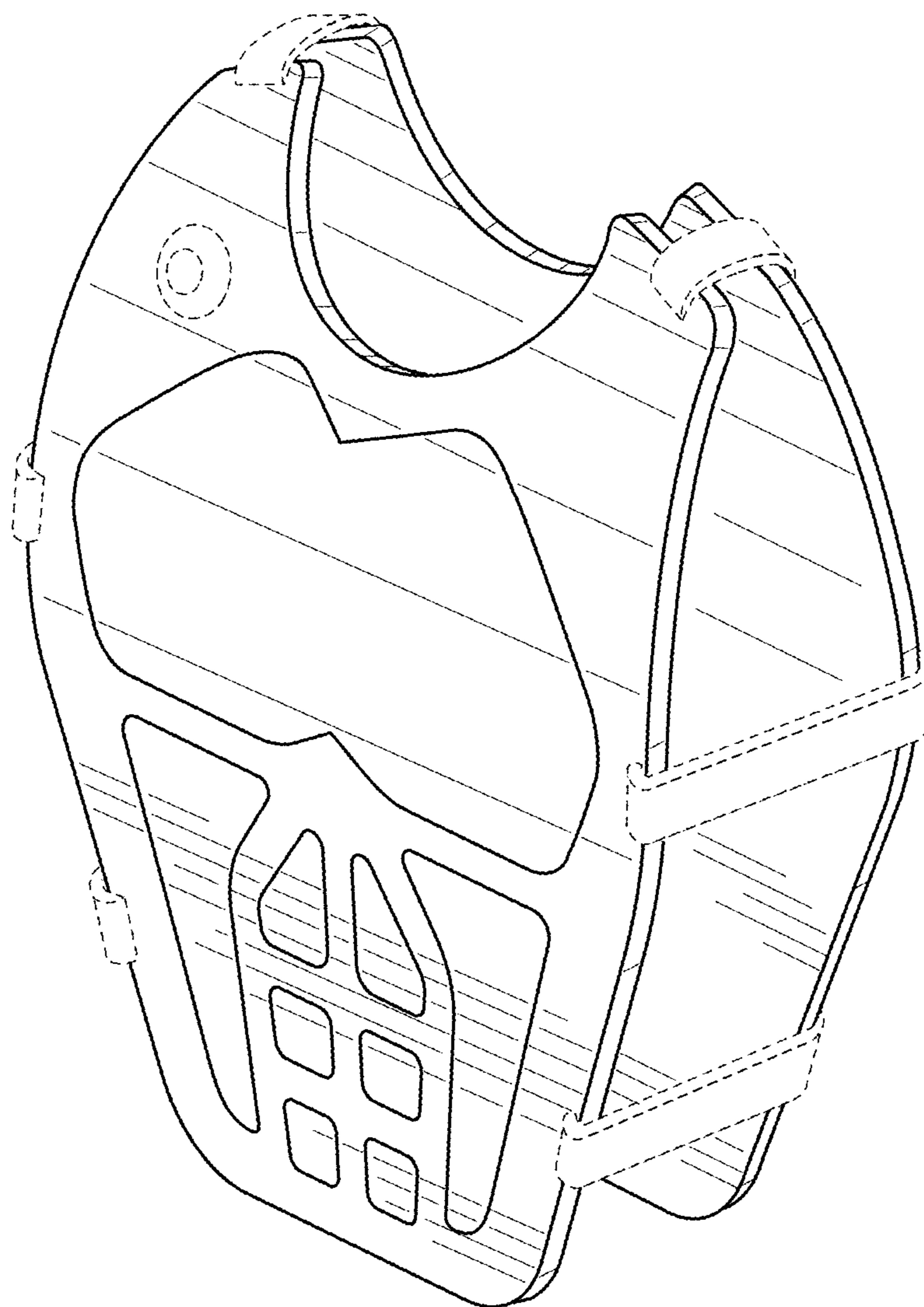
D355,751 S \* 2/1995 Dagan ..... D2/829  
5,913,708 A 6/1999 Gross  
D484,648 S \* 12/2003 Fiorini ..... D29/100  
6,789,274 B1 \* 9/2004 Karpati ..... A41D 13/0053  
2/458  
D548,401 S \* 8/2007 Tino ..... D29/101.4  
D600,860 S \* 9/2009 Durham ..... D29/101.3

7,647,651 B2 \* 1/2010 Contant ..... A41D 13/0512  
2/459  
D663,072 S \* 7/2012 Best ..... D29/101.3  
D663,484 S \* 7/2012 Best ..... D29/101.3  
8,585,746 B2 \* 11/2013 Ilcheva ..... A41D 13/0518  
607/108  
D725,312 S \* 3/2015 Hilliard ..... D29/101.4  
D744,168 S \* 11/2015 Best ..... D29/101.3  
D767,824 S \* 9/2016 Hilliard ..... D29/100  
D771,319 S \* 11/2016 Peluso ..... D29/101.3  
D791,895 S \* 7/2017 Chin ..... D21/805  
2004/0003456 A1 \* 1/2004 Nishimoto ..... A41D 13/0518  
2/463  
2009/0062892 A1 \* 3/2009 Ilcheva ..... A41D 13/005  
607/108

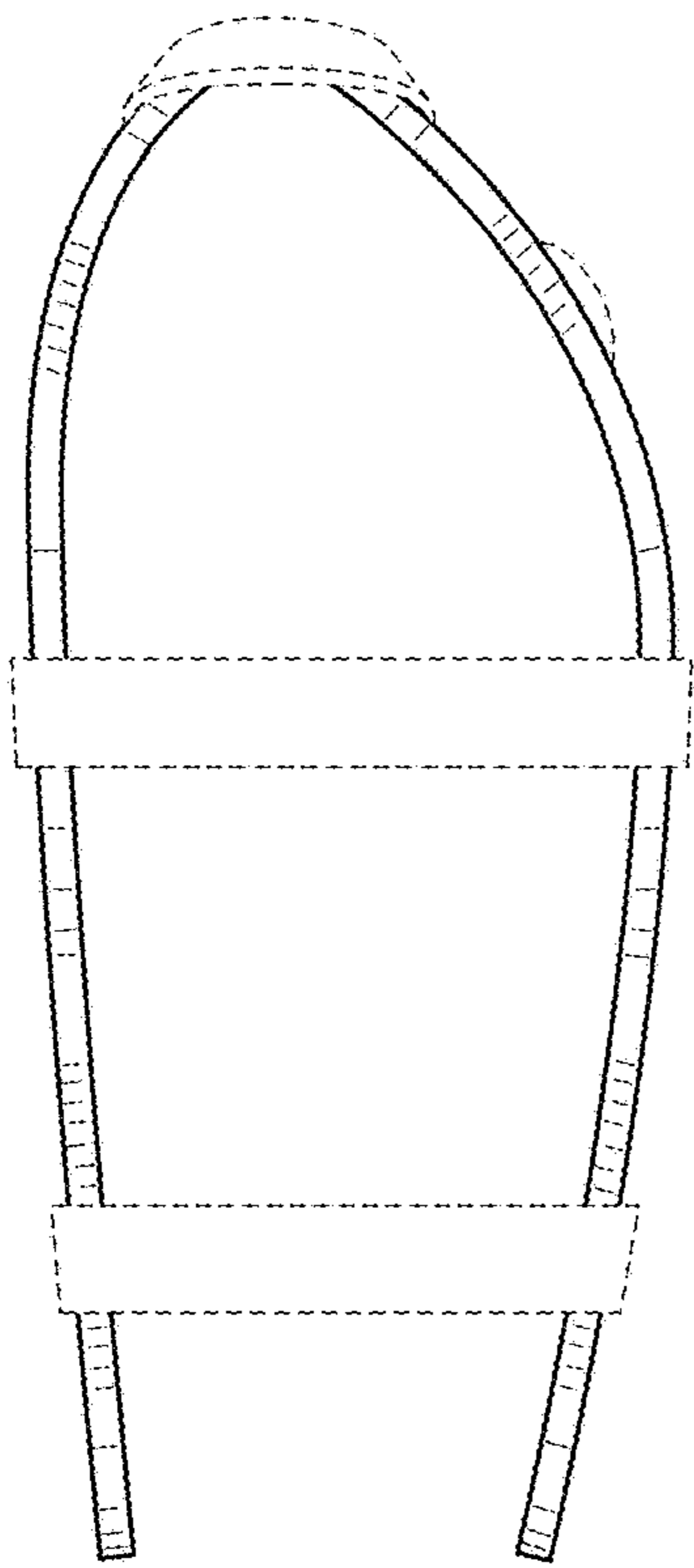
OTHER PUBLICATIONS

<https://www.youtube.com/watch?v=vXcCKkKKFGQ>—Published  
Nov. 20, 2016.\*

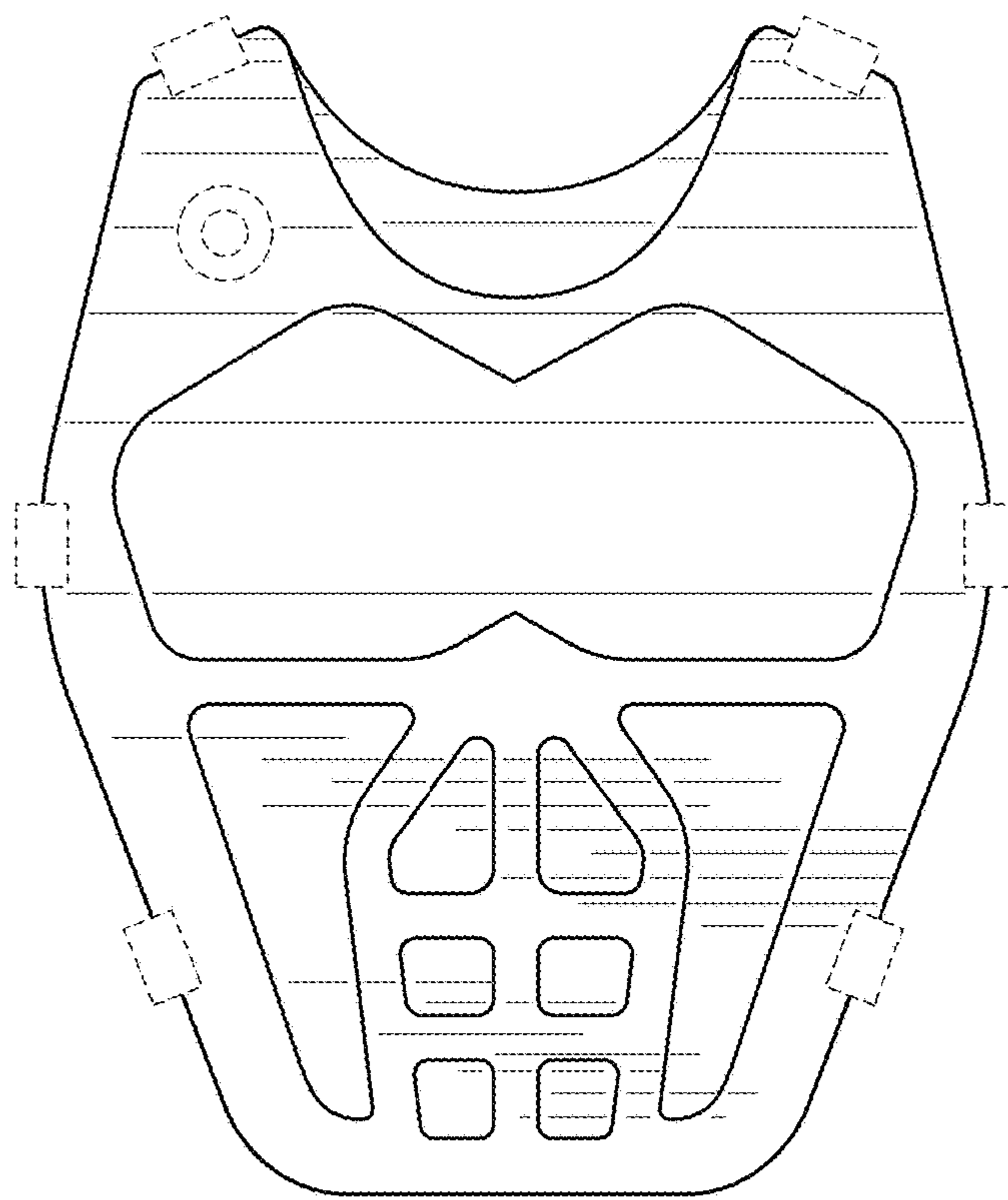
\* cited by examiner



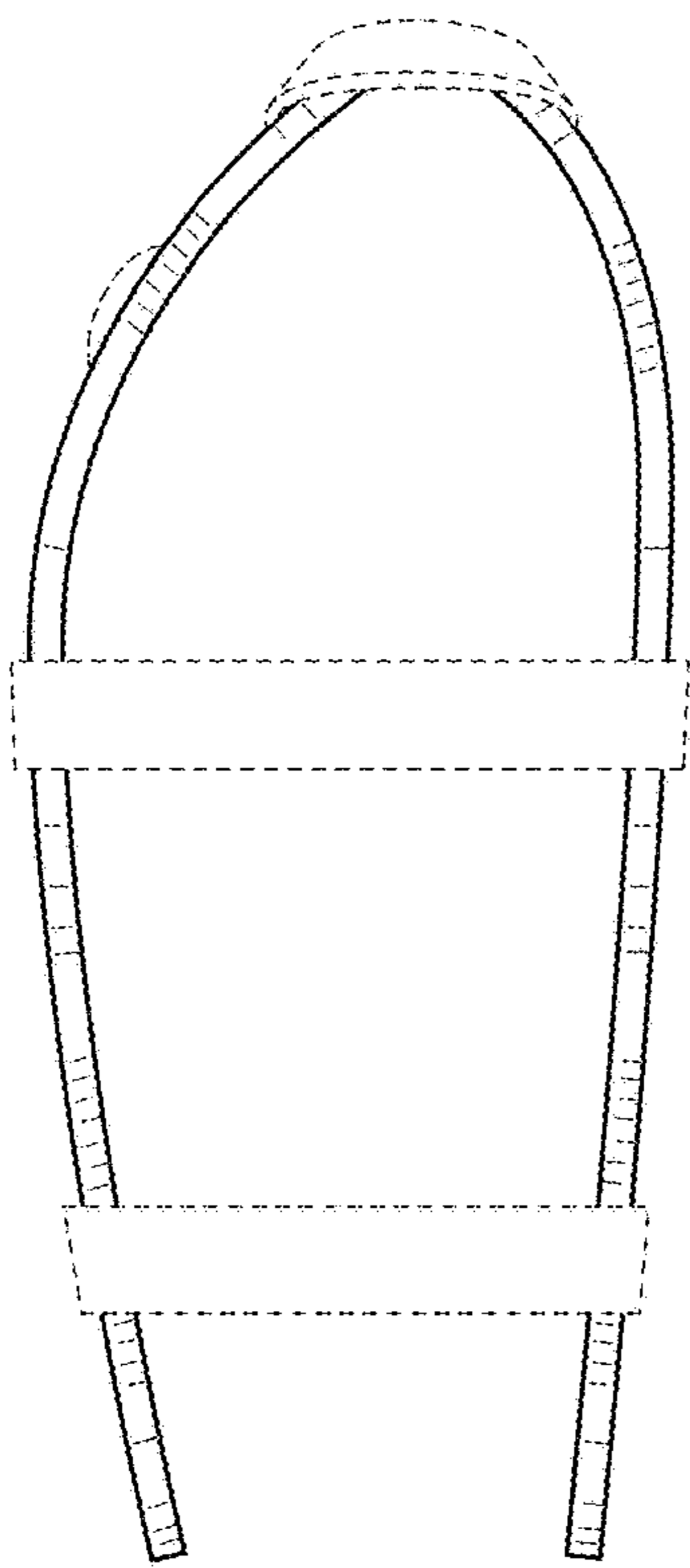
**FIG. 1**



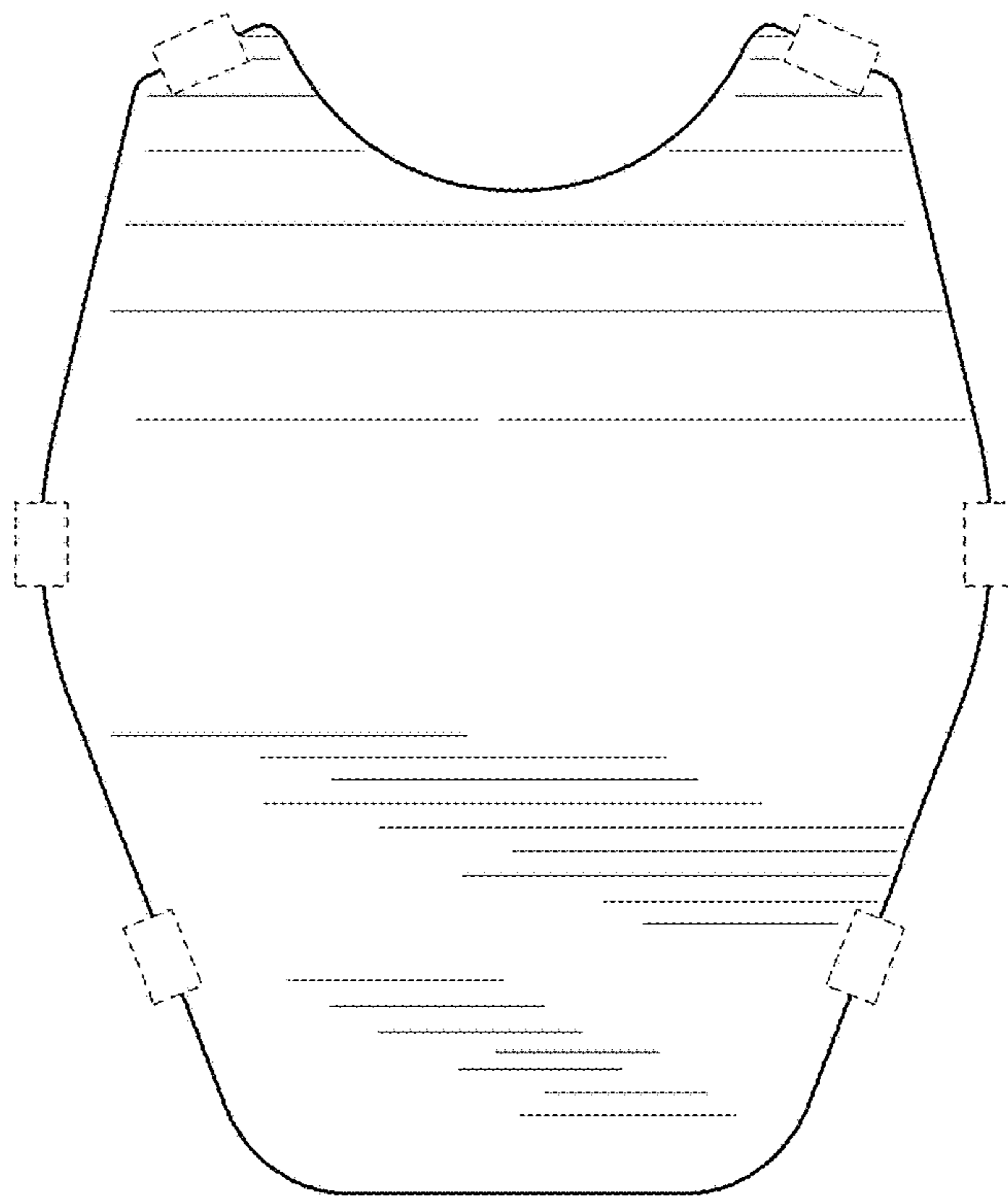
**FIG. 2**



**FIG. 3**



**FIG. 4**



**FIG. 5**



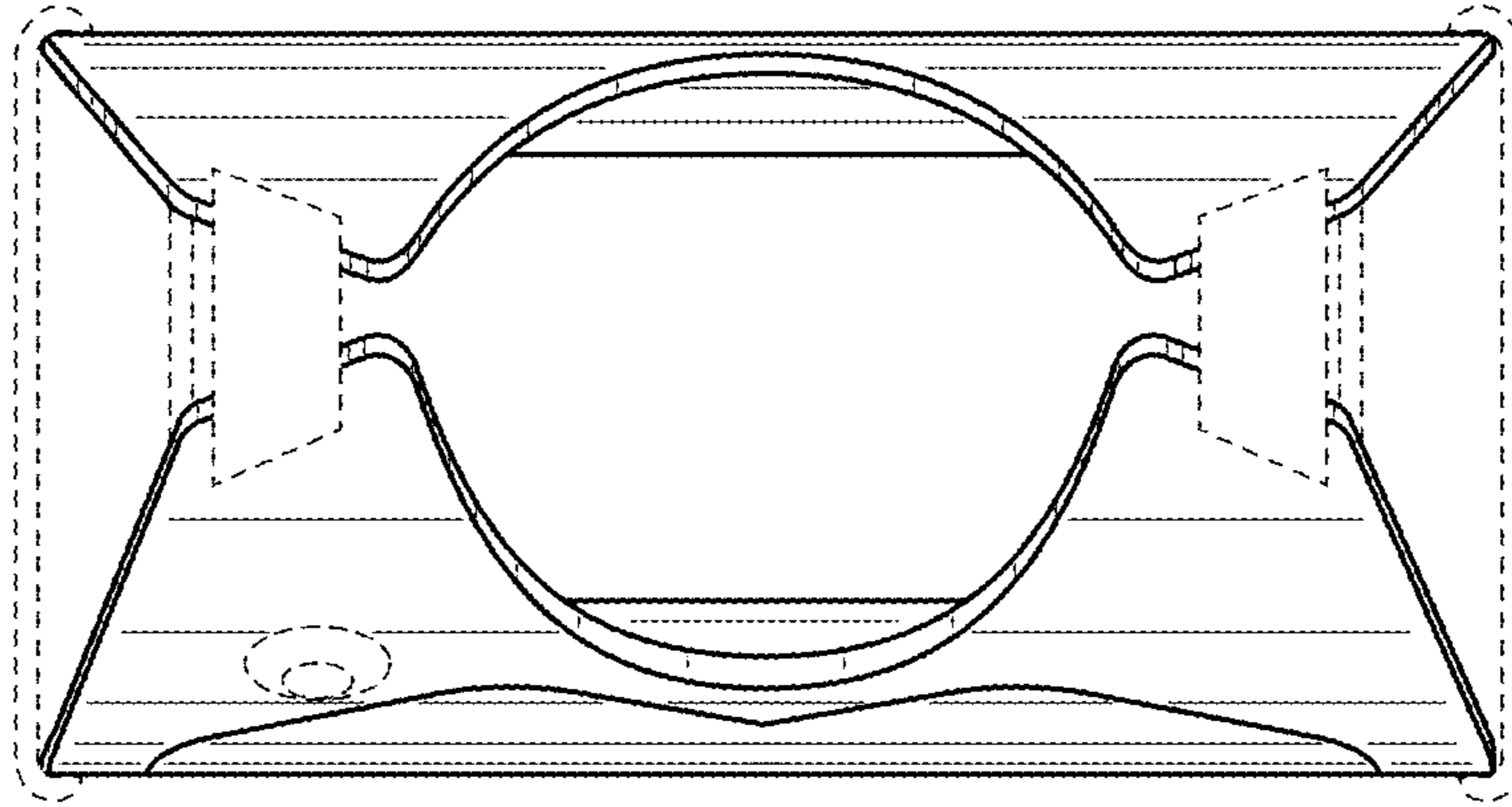


FIG. 6

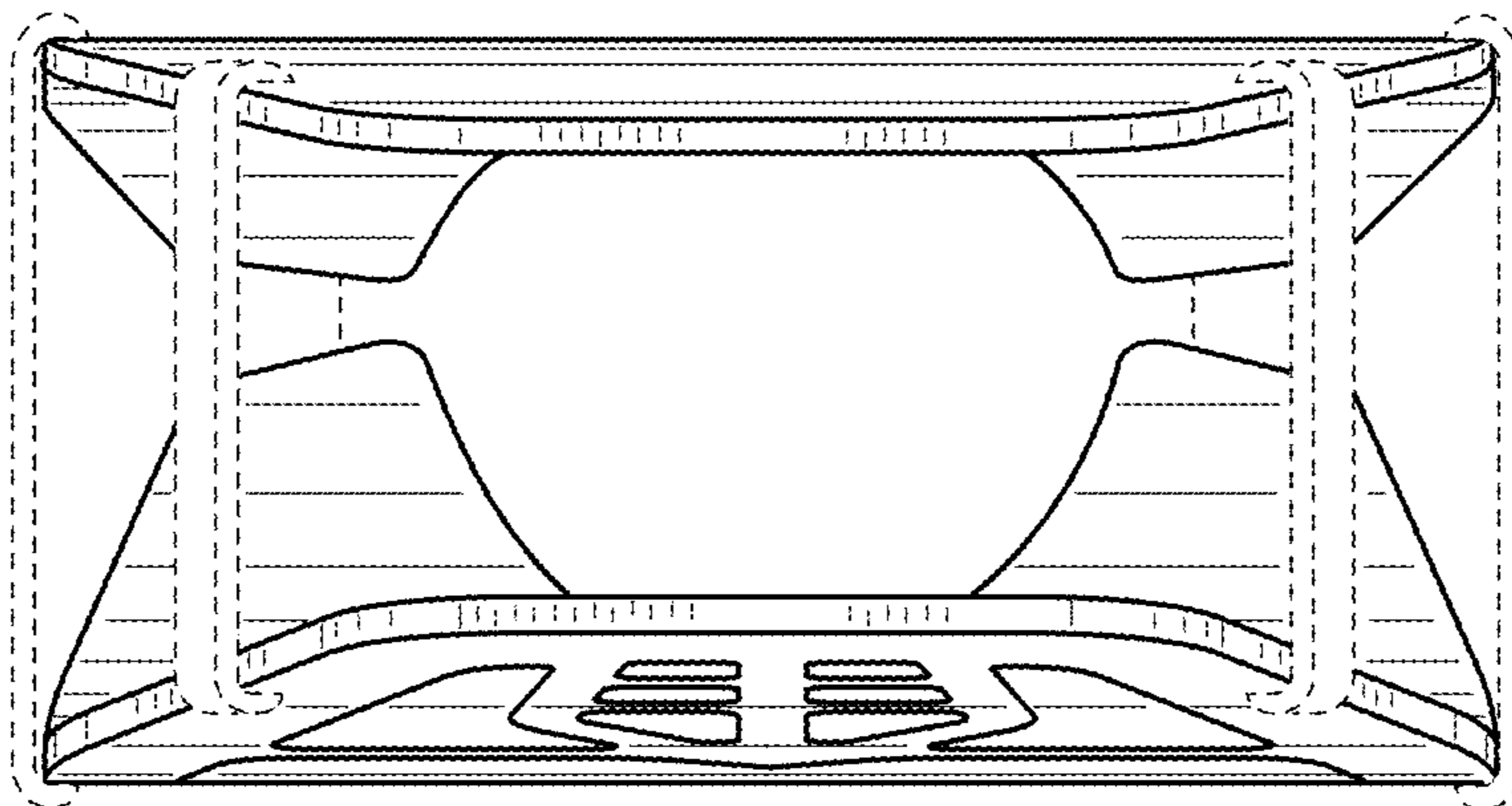
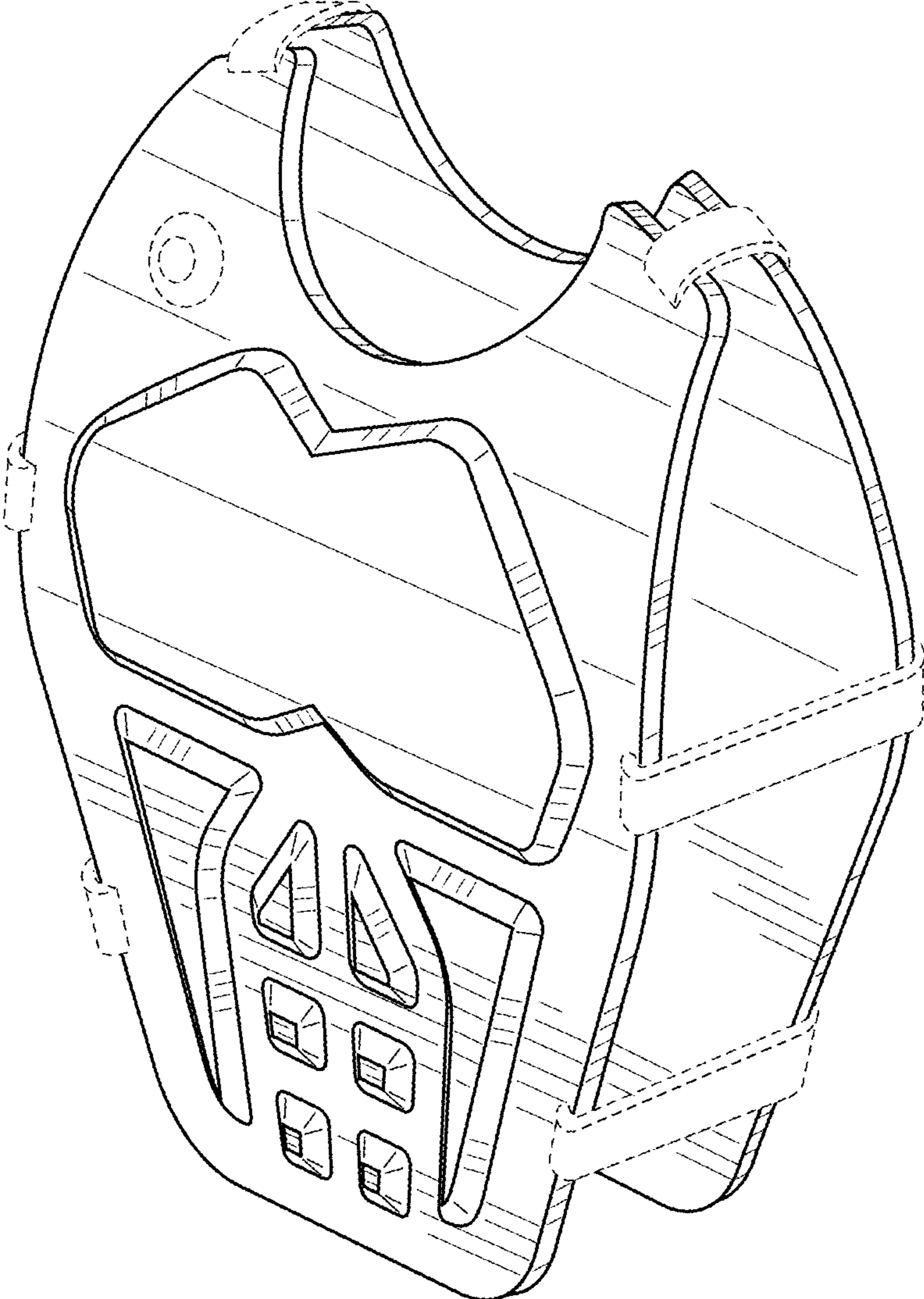
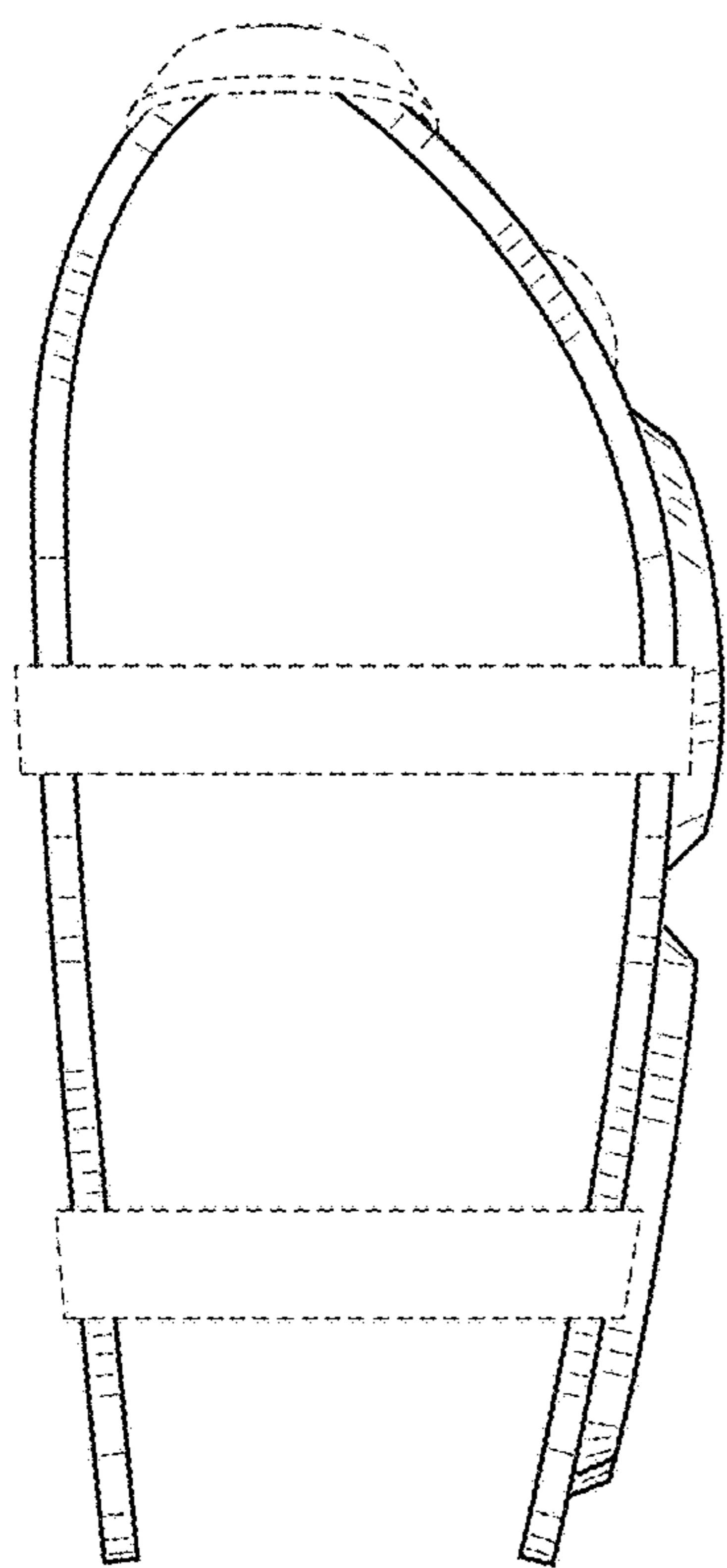


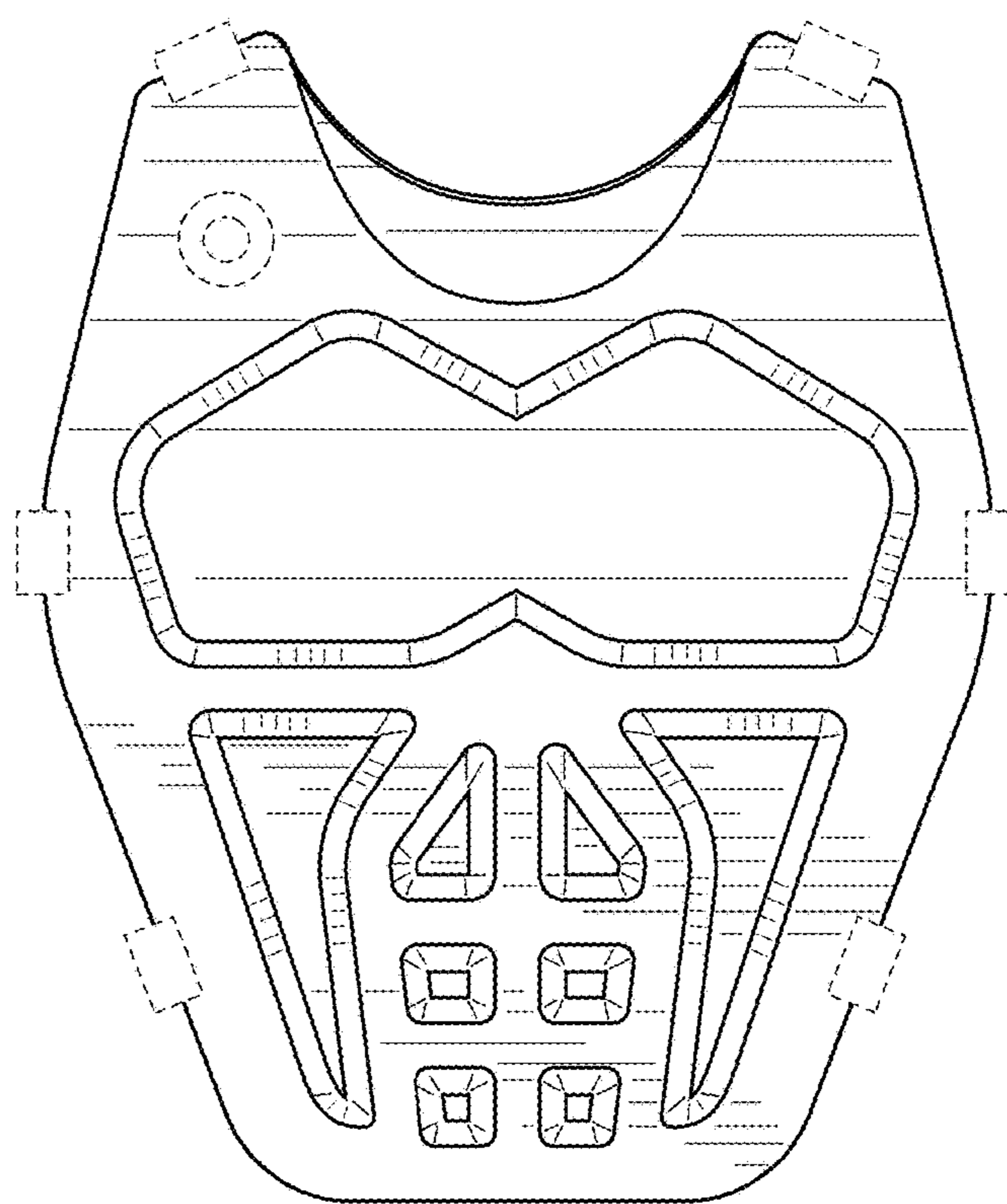
FIG. 7



**FIG. 8**

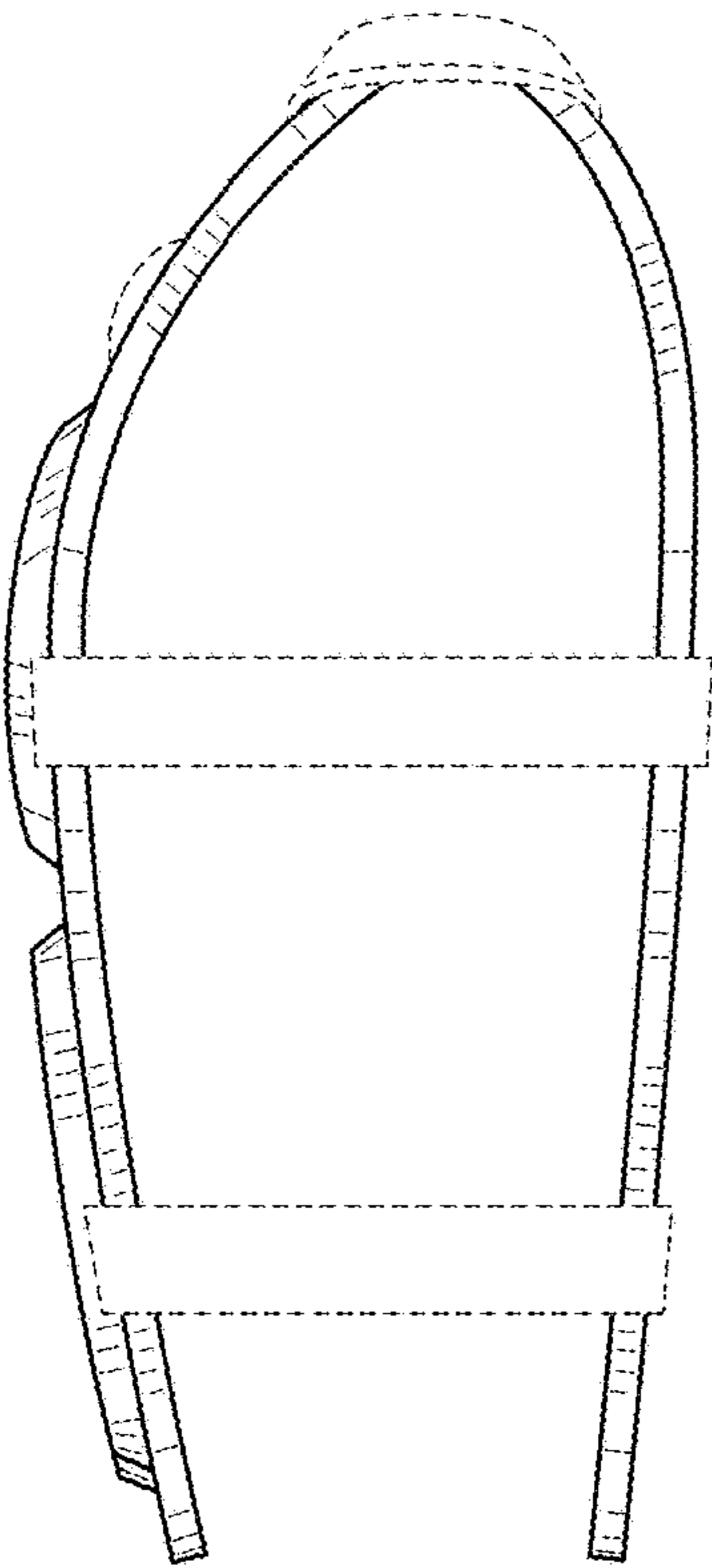


**FIG. 9**

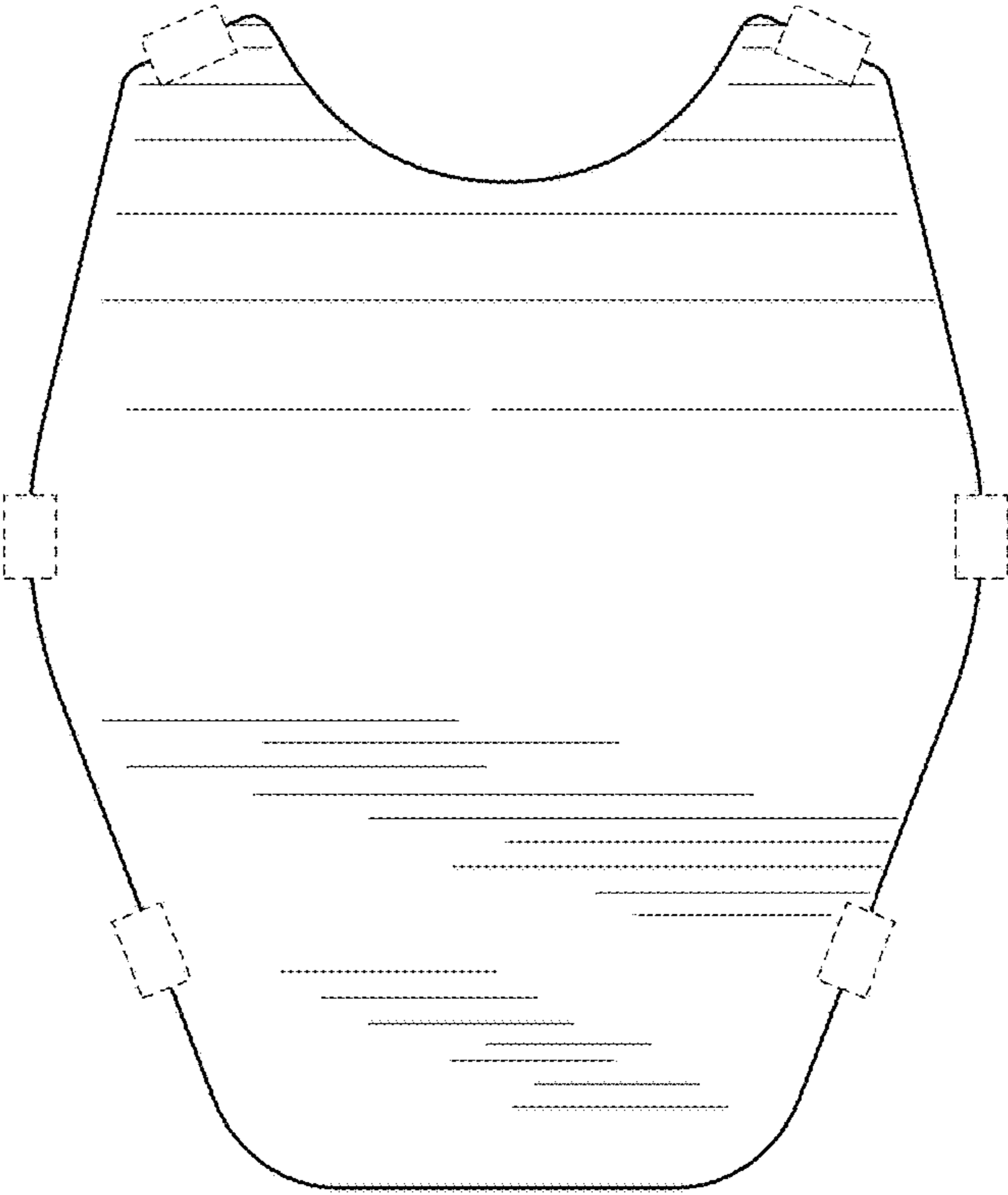


**FIG. 10**

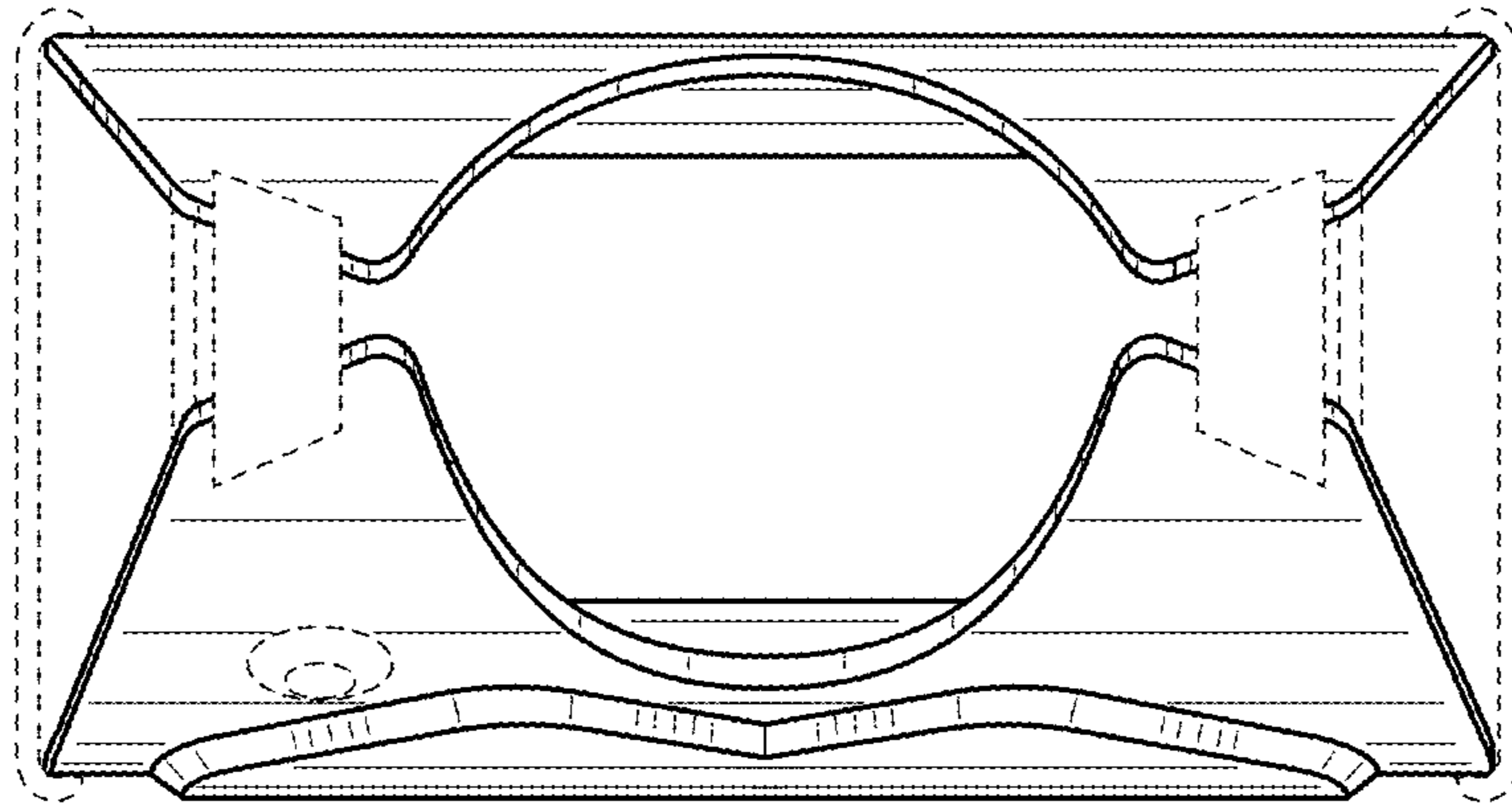




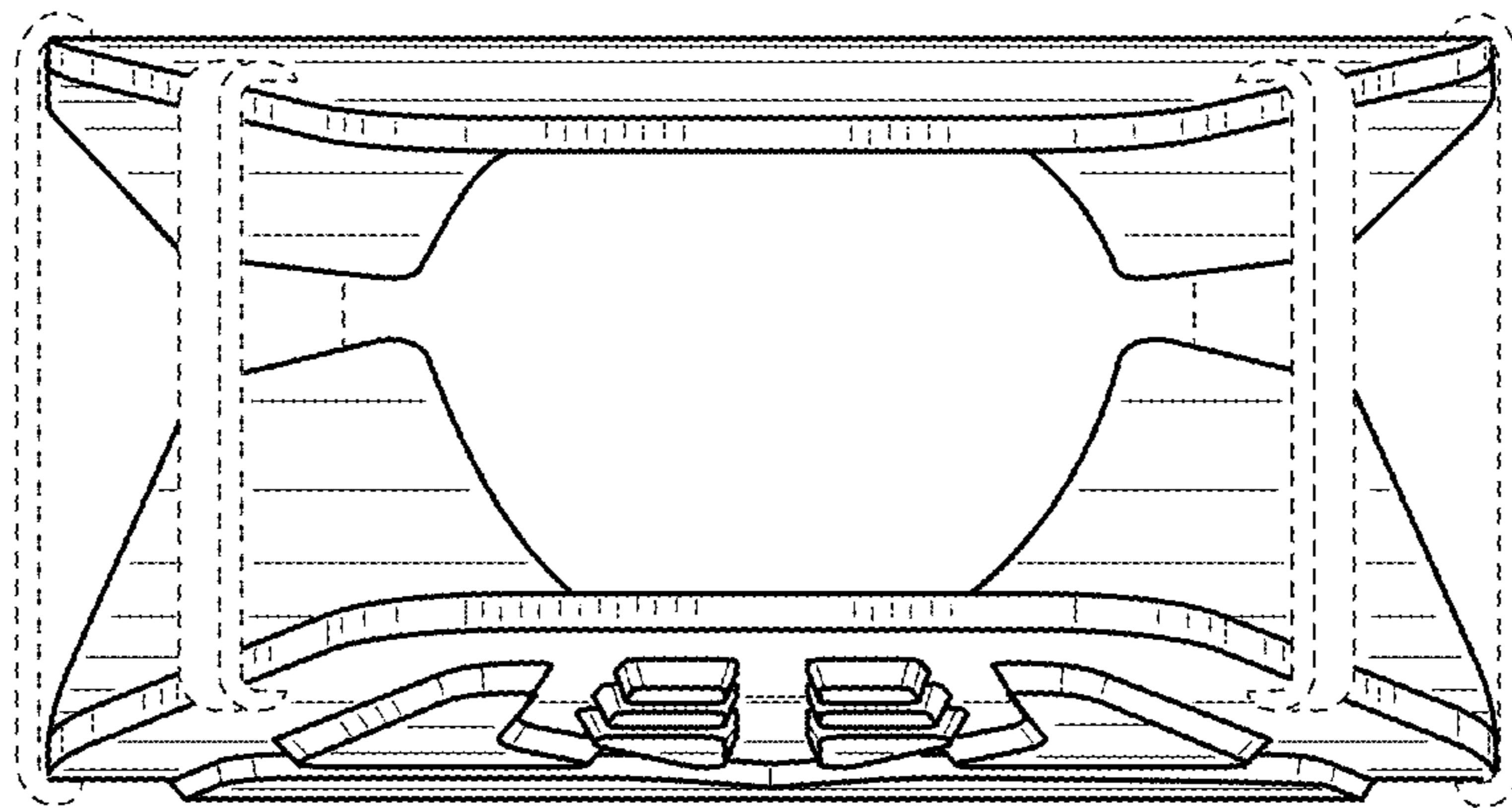
**FIG. 11**



**FIG. 12**



**FIG. 13**



**FIG. 14**