



US00D819148S

(12) **United States Design Patent**
Smith, Jr.

(10) **Patent No.:** **US D819,148 S**

(45) **Date of Patent:** **** May 29, 2018**

(54) **MULTI-PURPOSE FITNESS BENCH**

(71) Applicant: **Alfred Sidney Smith, Jr.**, Sammamish, WA (US)

(72) Inventor: **Alfred Sidney Smith, Jr.**, Sammamish, WA (US)

(**) Term: **15 Years**

(21) Appl. No.: **29/575,128**

(22) Filed: **Aug. 22, 2016**

(51) **LOC (11) Cl.** **21-02**

(52) **U.S. Cl.**
USPC **D21/690**

(58) **Field of Classification Search**

USPC D21/690, 676, 687, 674, 673, 675, 689;
482/140, 142, 126, 144, 92, 143, 123,
482/133, 138, 95, 131, 130, 135, 72, 52,
482/57, 93, 96, 127, 100, 118, 136, 97,
482/112, 9
CPC A63B 23/0211; A63B 2208/0233; A63B
21/4047; A63B 21/068; A63B 21/0628;
A63B 23/0233; A63B 21/4035; A63B
23/0227; A63B 23/0216; A63B
2208/0252; A63B 23/0405; A63B
21/4029; A63B 21/0004

See application file for complete search history.

(56) **References Cited**

U.S. PATENT DOCUMENTS

5,169,363 A * 12/1992 Campanaro A63B 21/068
482/142
5,387,171 A * 2/1995 Casey A63B 21/0552
482/130
5,484,365 A * 1/1996 Jones A63B 21/0615
482/100
5,554,090 A * 9/1996 Jones A63B 21/0615
482/134
5,762,590 A * 6/1998 St. Fleur A63B 23/085
482/104

5,827,154 A * 10/1998 Gill A63B 21/153
482/101
D405,132 S * 2/1999 Westfall D21/676
5,967,955 A * 10/1999 Westfall A63B 21/068
482/142
D431,615 S * 10/2000 Webber D21/675
D438,918 S * 3/2001 Batca D21/675

(Continued)

Primary Examiner — Robert M. Spear

Assistant Examiner — Ryan Harvey

(74) *Attorney, Agent, or Firm* — Quickpatents, LLC;
Kevin Prince

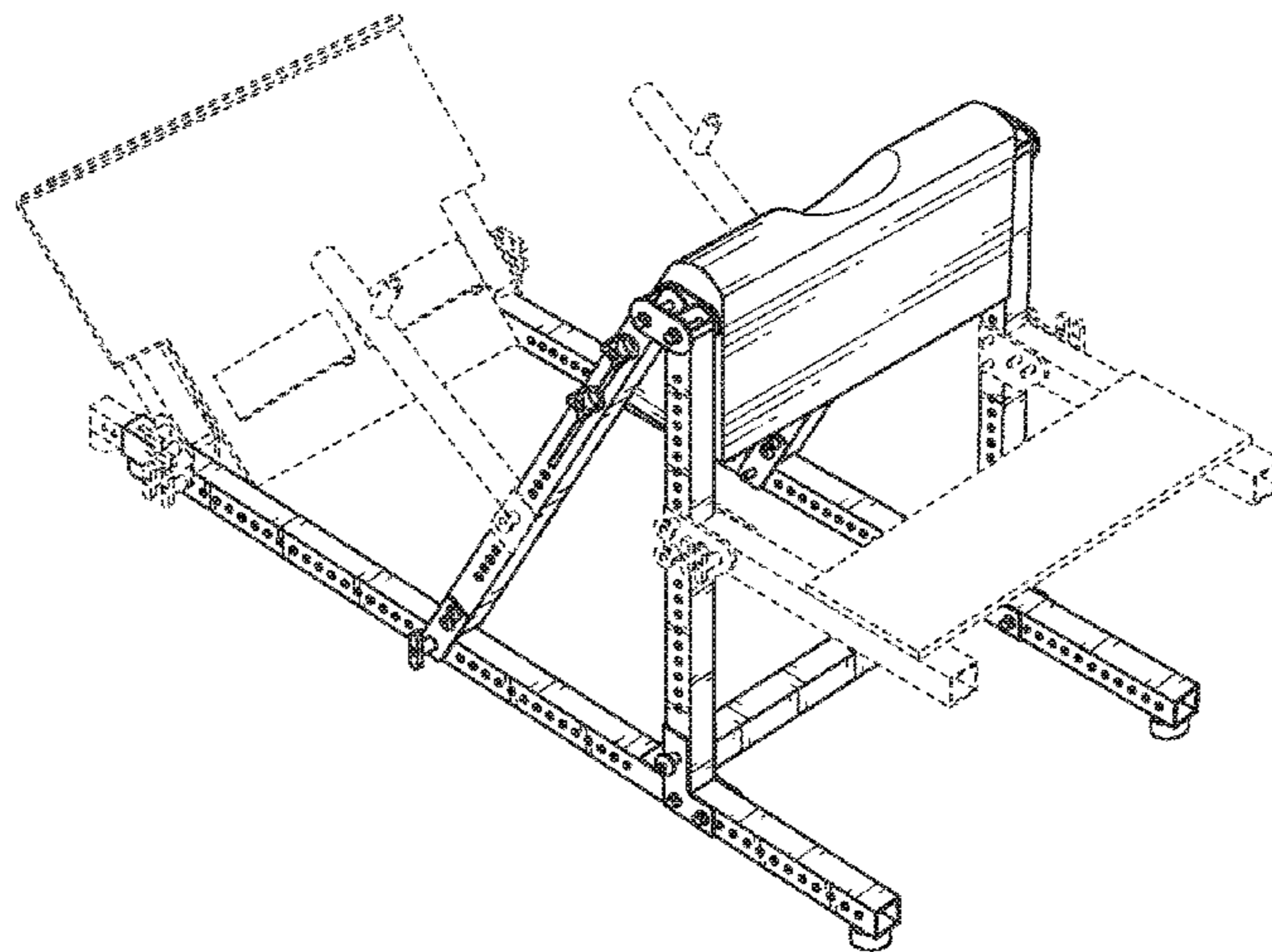
(57) **CLAIM**

I claim the ornamental design for a multi-purpose fitness bench, as shown and described.

DESCRIPTION

FIG. 1 is a perspective view of a multi-purpose fitness bench, showing a first embodiment of my new design; FIG. 2 is an exploded perspective view of FIG. 1; FIG. 3 is a front elevational view of FIG. 1; FIG. 4 is a rear elevational view of FIG. 1; FIG. 5 is a right-side elevational view of FIG. 1; FIG. 6 is a left-side elevational view of FIG. 1; FIG. 7 is a top plan view of FIG. 1; FIG. 8 is a bottom plan view of FIG. 1; FIG. 9 is a perspective view of a second embodiment thereof in an extended position; FIG. 10 is an exploded perspective view of FIG. 9; FIG. 11 is a front elevational view of FIG. 9; FIG. 12 is a rear elevational view of FIG. 9; FIG. 13 is a left-side elevational view of FIG. 9; FIG. 14 is a right-side elevational view of FIG. 9; FIG. 15 is a top plan view of FIG. 9; and, FIG. 16 is a bottom plan view of FIG. 9. The broken line showing of portions of the multi-purpose fitness bench depicts environment and forms no part of the claim.

1 Claim, 14 Drawing Sheets



(56)

References Cited

U.S. PATENT DOCUMENTS

6,478,721 B1 *	11/2002	Hunter	A63B 21/0085	482/140	2007/0203004 A1 *	8/2007	Campanaro	A63B 21/068	482/142
D481,428 S *	10/2003	Giannelli	D21/675		2010/0062916 A1 *	3/2010	Campanaro	A63B 21/068	482/142
D493,853 S *	8/2004	Campanaro	D21/676		2010/0227748 A1 *	9/2010	Campanaro	A63B 21/068	482/140
7,004,891 B2 *	2/2006	Morris	A63B 23/0405	482/101	2010/0234199 A1 *	9/2010	Campanaro	A63B 21/068	482/142
7,070,545 B2 *	7/2006	Lull	A63B 23/0405	482/100	2011/0009249 A1 *	1/2011	Campanaro	A63B 21/068	482/131
D608,401 S *	1/2010	Campanaro	D21/662		2012/0053028 A1 *	3/2012	Campanaro	A63B 21/00072	482/131
D612,000 S *	3/2010	Campanaro	D21/662		2014/0194260 A1 *	7/2014	Campanaro	A63B 21/068	482/131
7,862,490 B2 *	1/2011	Glynn	A63B 21/154	482/100	2015/0246263 A1 *	9/2015	Campanaro	A63B 23/03566	482/52
D635,205 S *	3/2011	Thulin	D21/676		2016/0107023 A1 *	4/2016	Campanaro	A63B 22/0087	482/72
8,425,384 B2 *	4/2013	Garner	A63B 21/00	482/133	2016/0107024 A1 *	4/2016	Campanaro	A63B 22/205	482/130
D741,960 S *	10/2015	Campanaro	D21/676							
D788,861 S *	6/2017	Campanaro	D21/674							
9,770,622 B2 *	9/2017	Campanaro	A63B 21/00065							
2003/0158018 A1 *	8/2003	Giannelli	A63B 21/068	482/95						

* cited by examiner

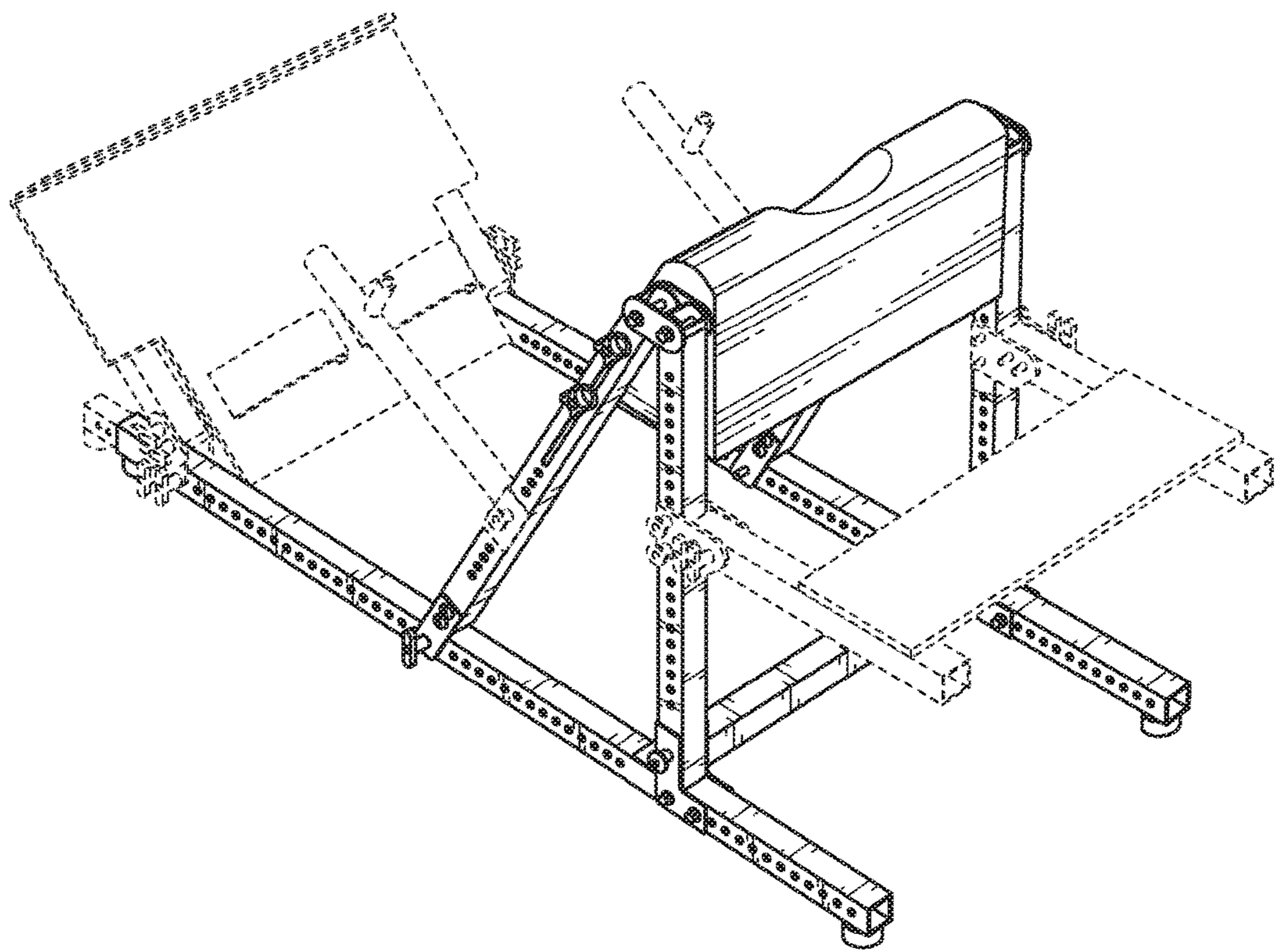


FIG. 1

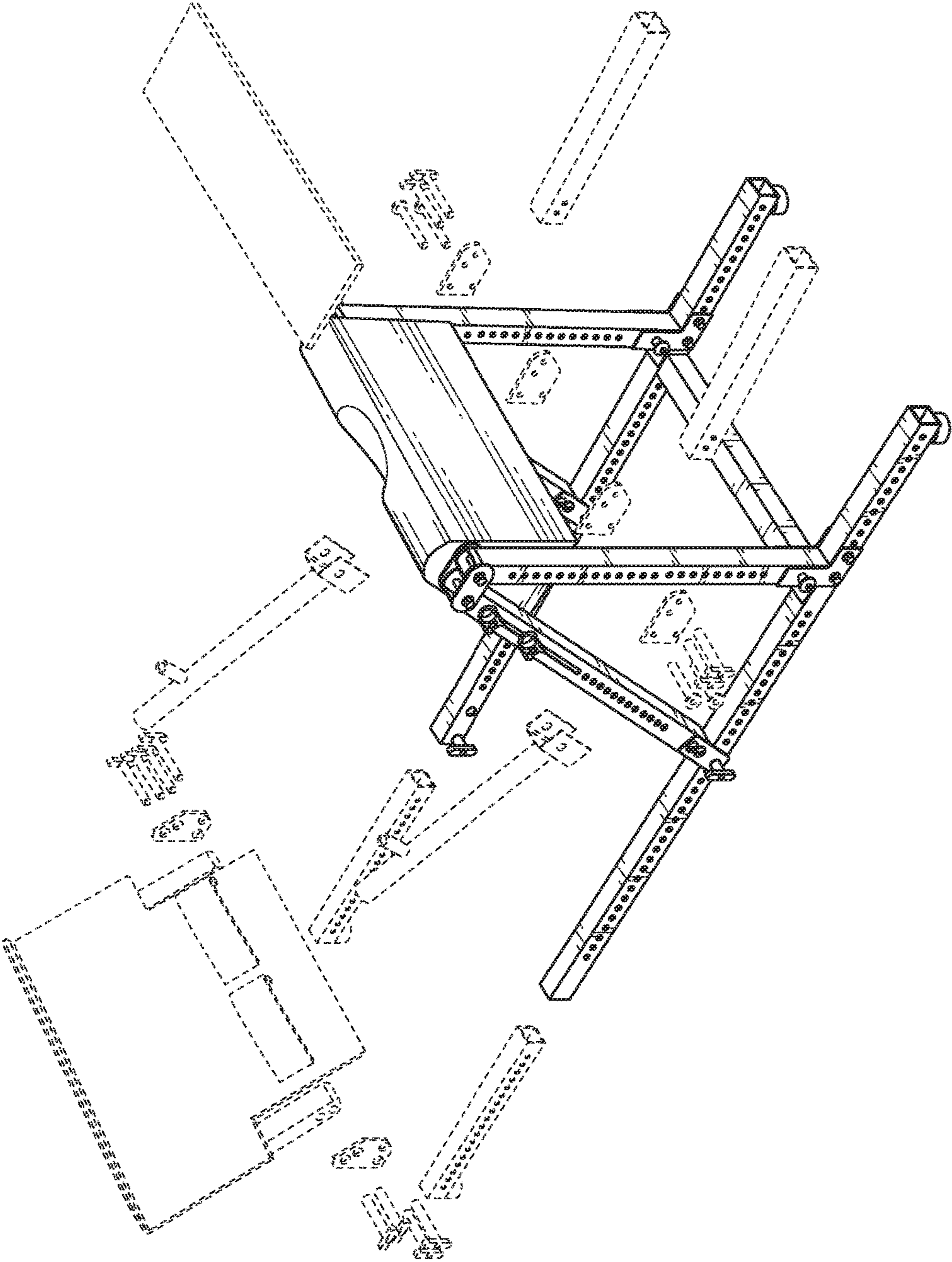


FIG. 2

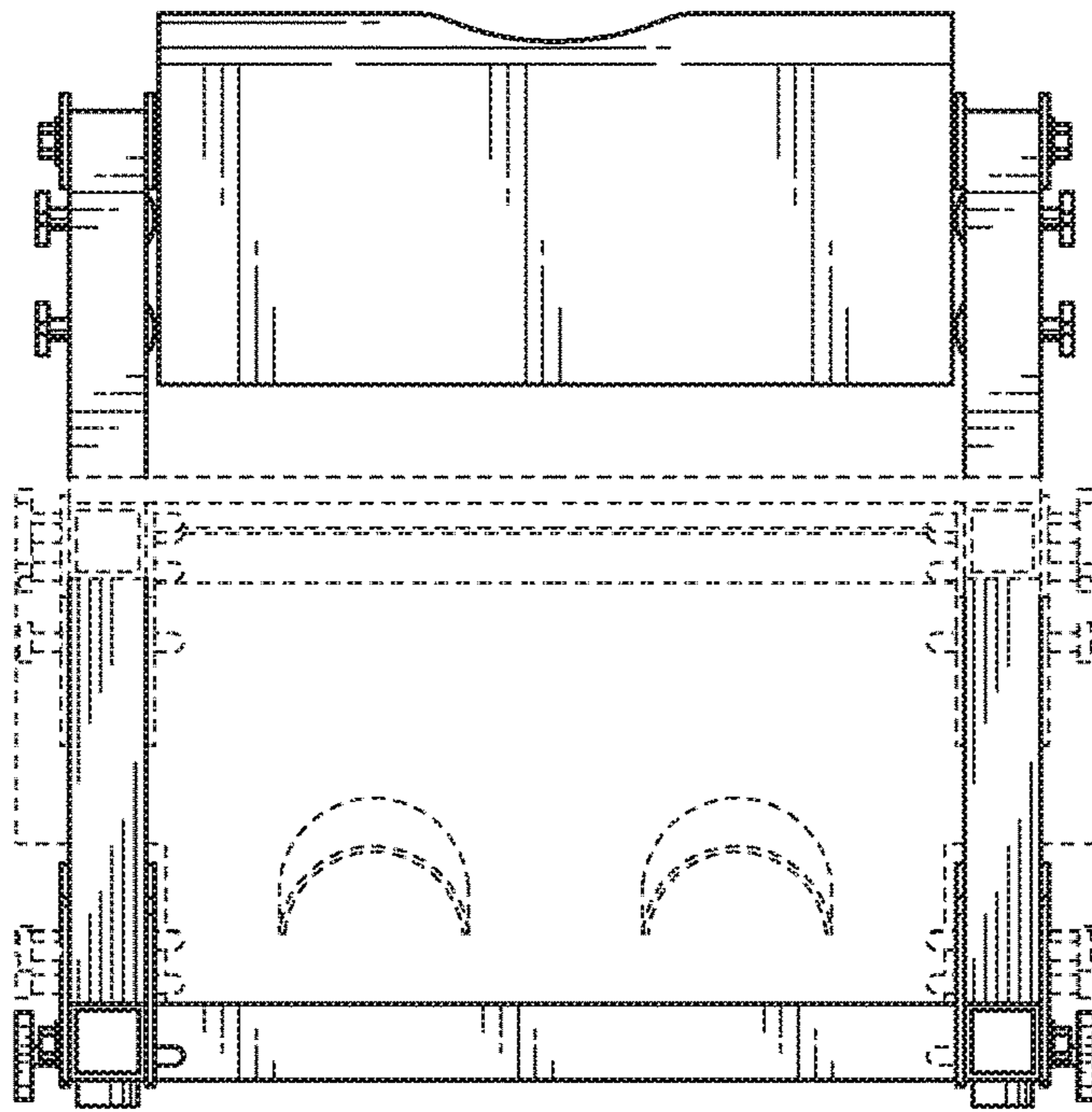


FIG. 3

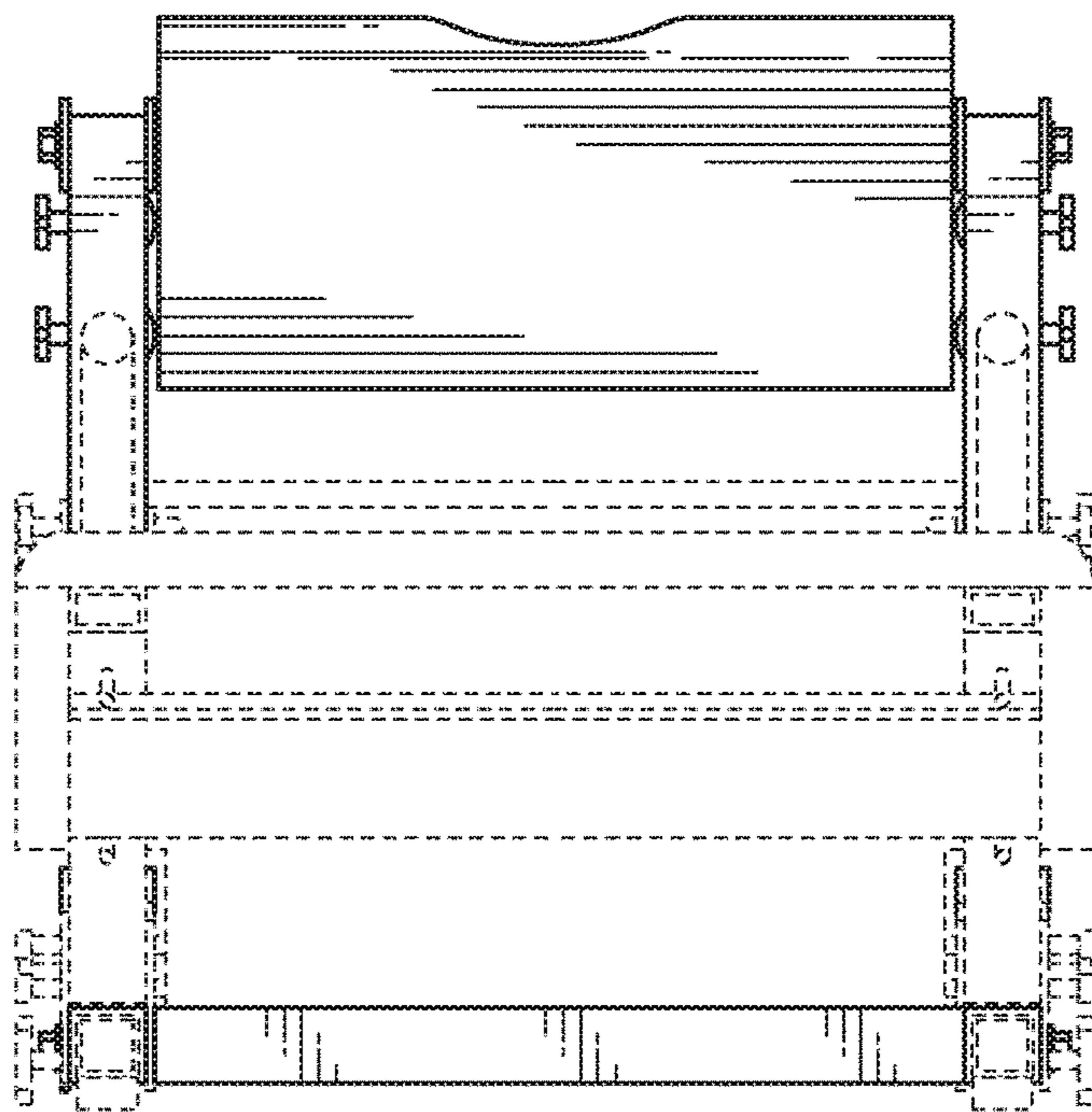


FIG. 4

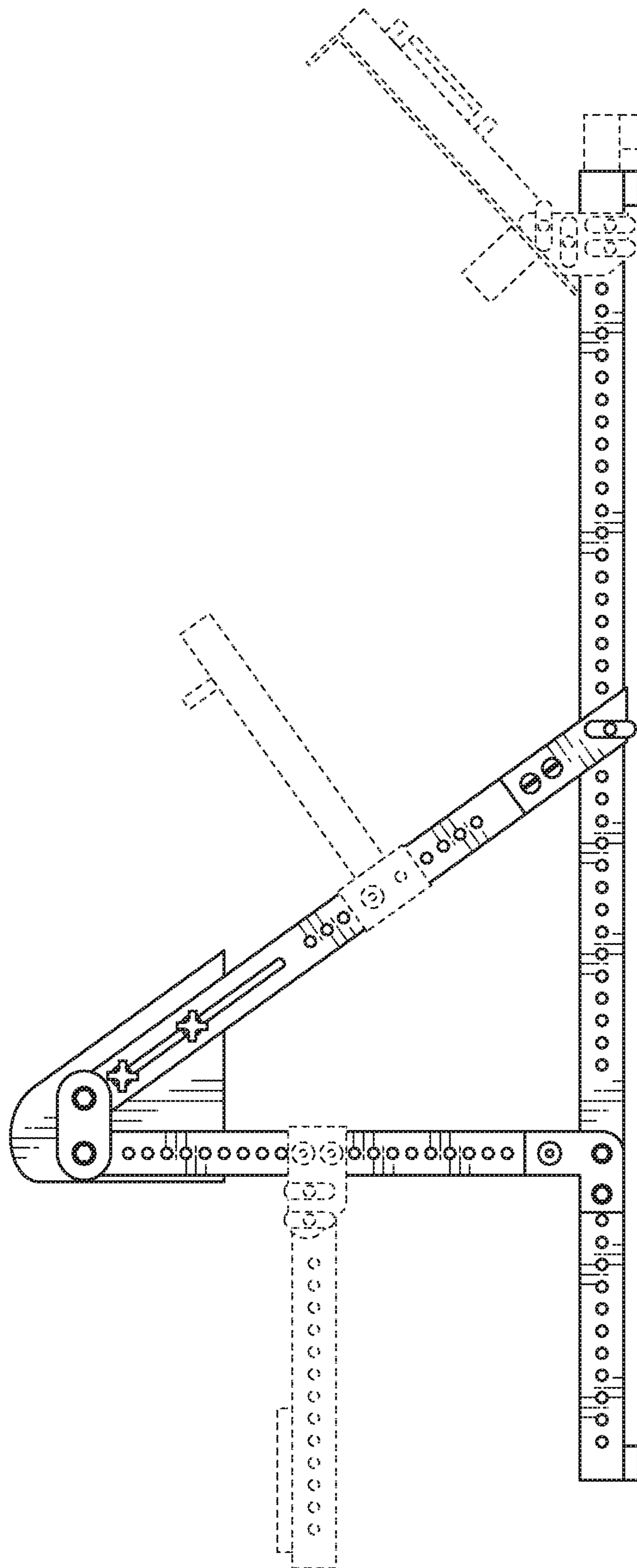


FIG. 5

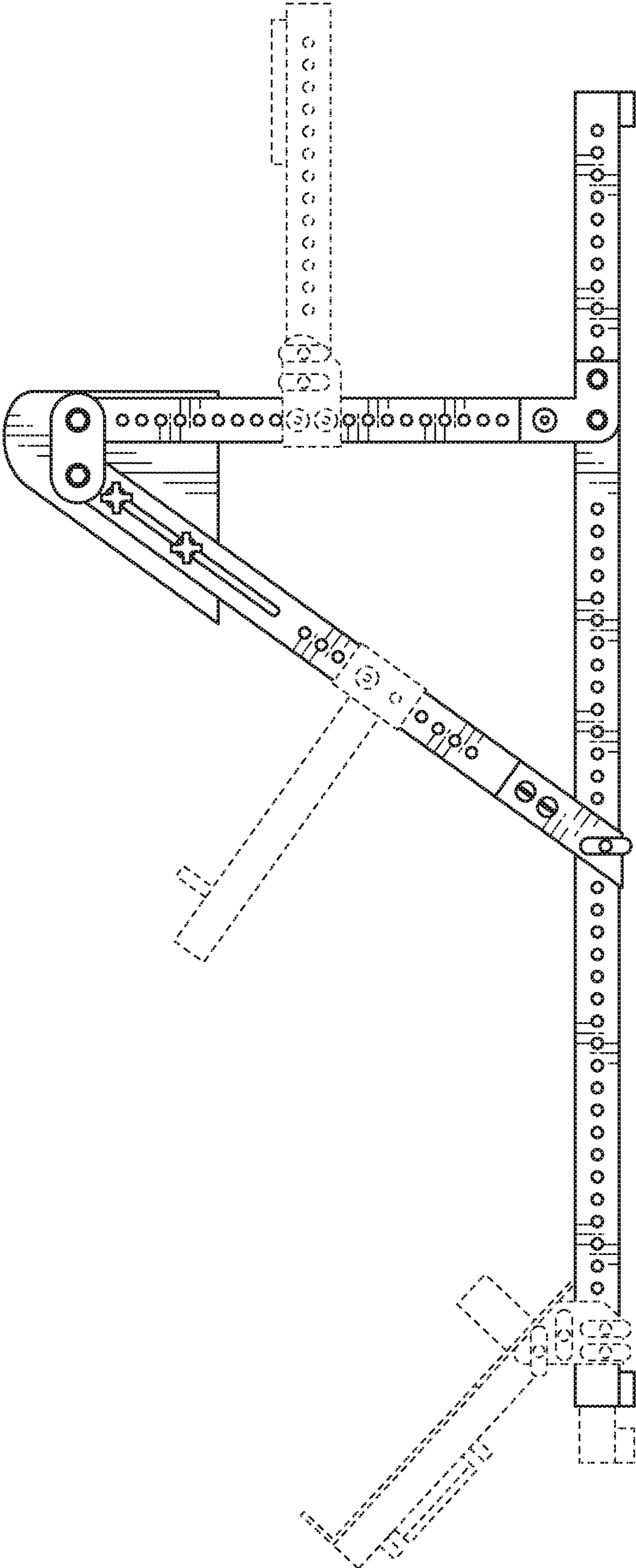


FIG. 6

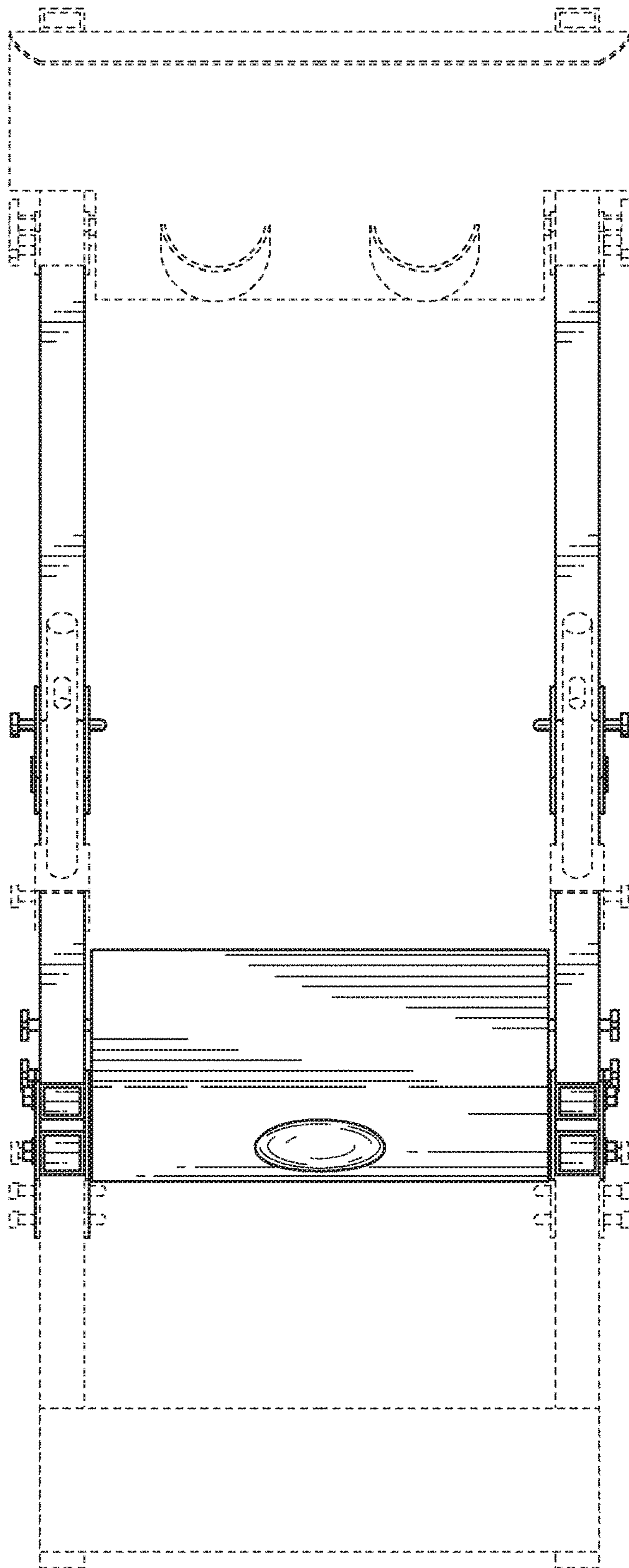


FIG. 7

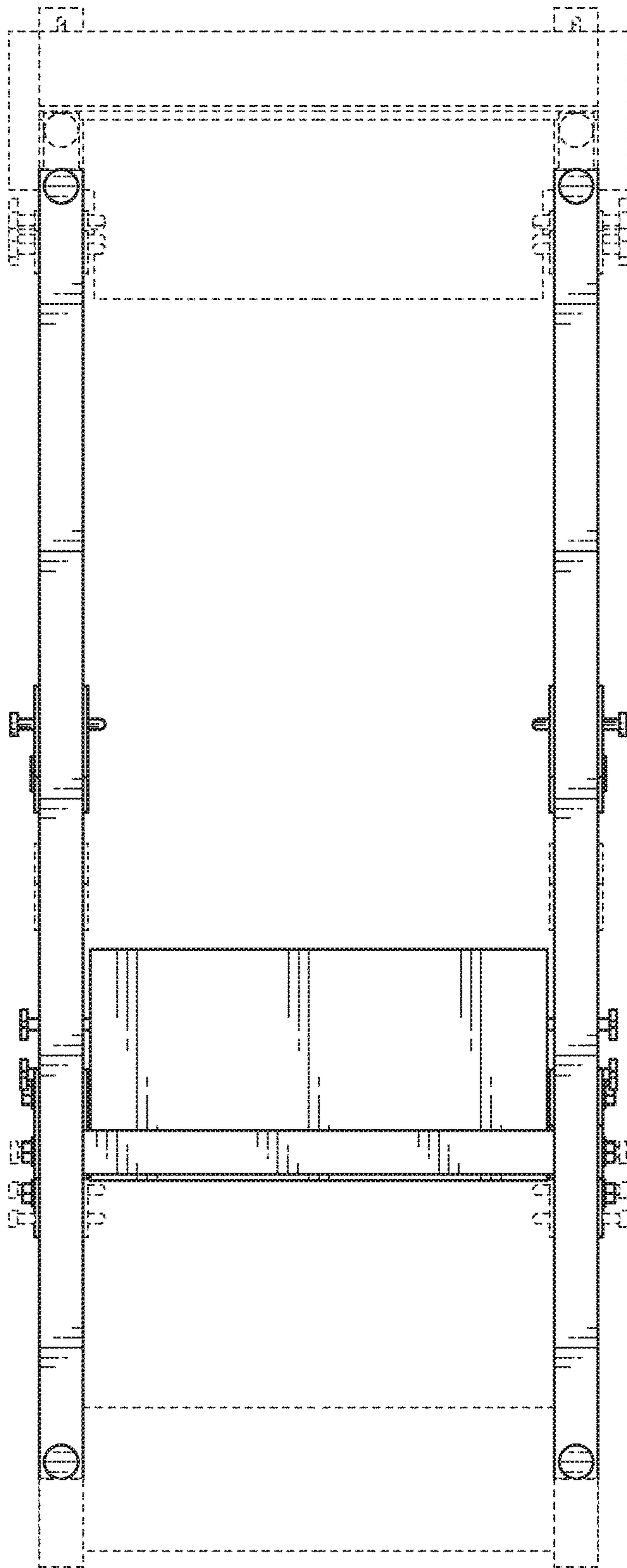


FIG. 8

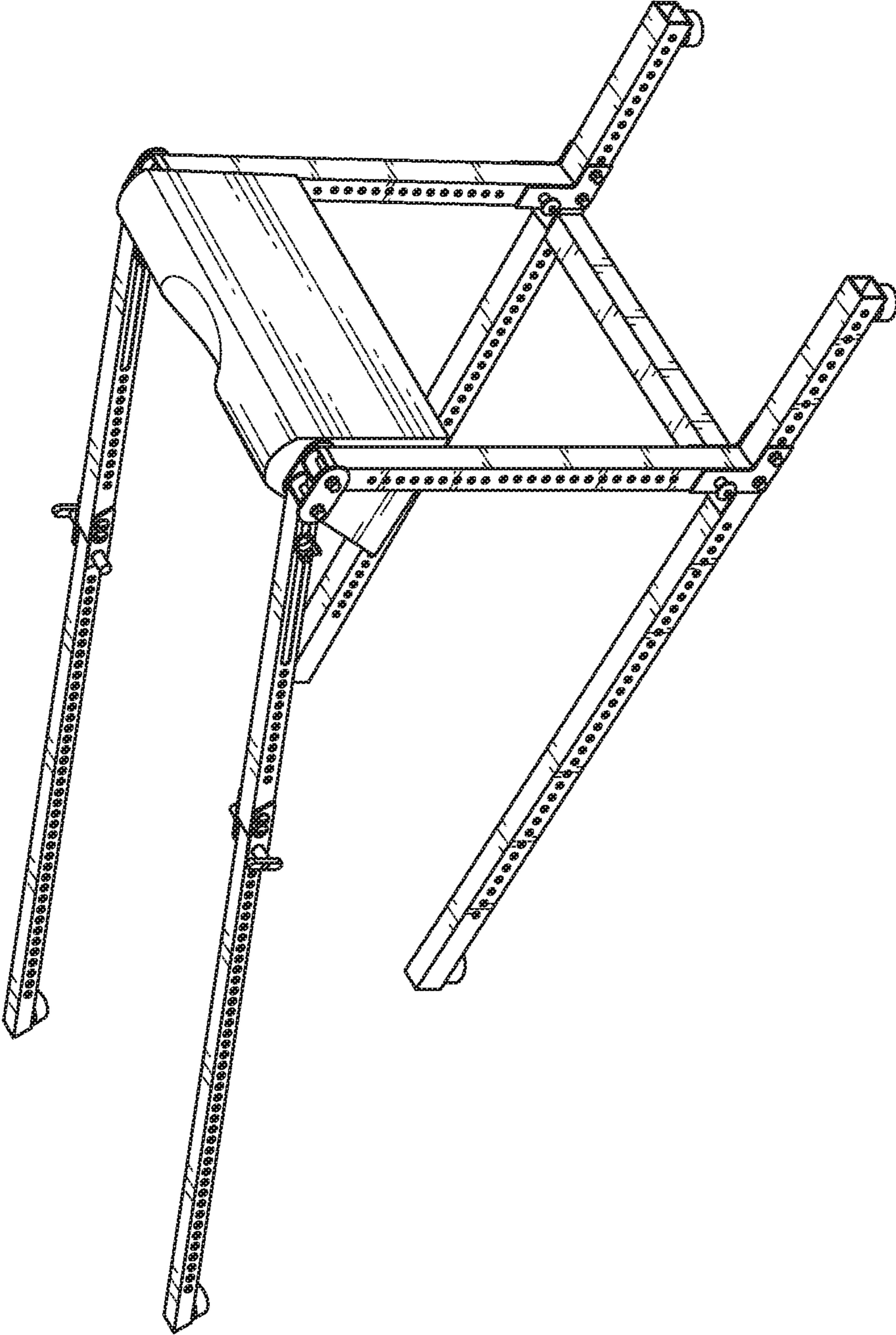


FIG. 9

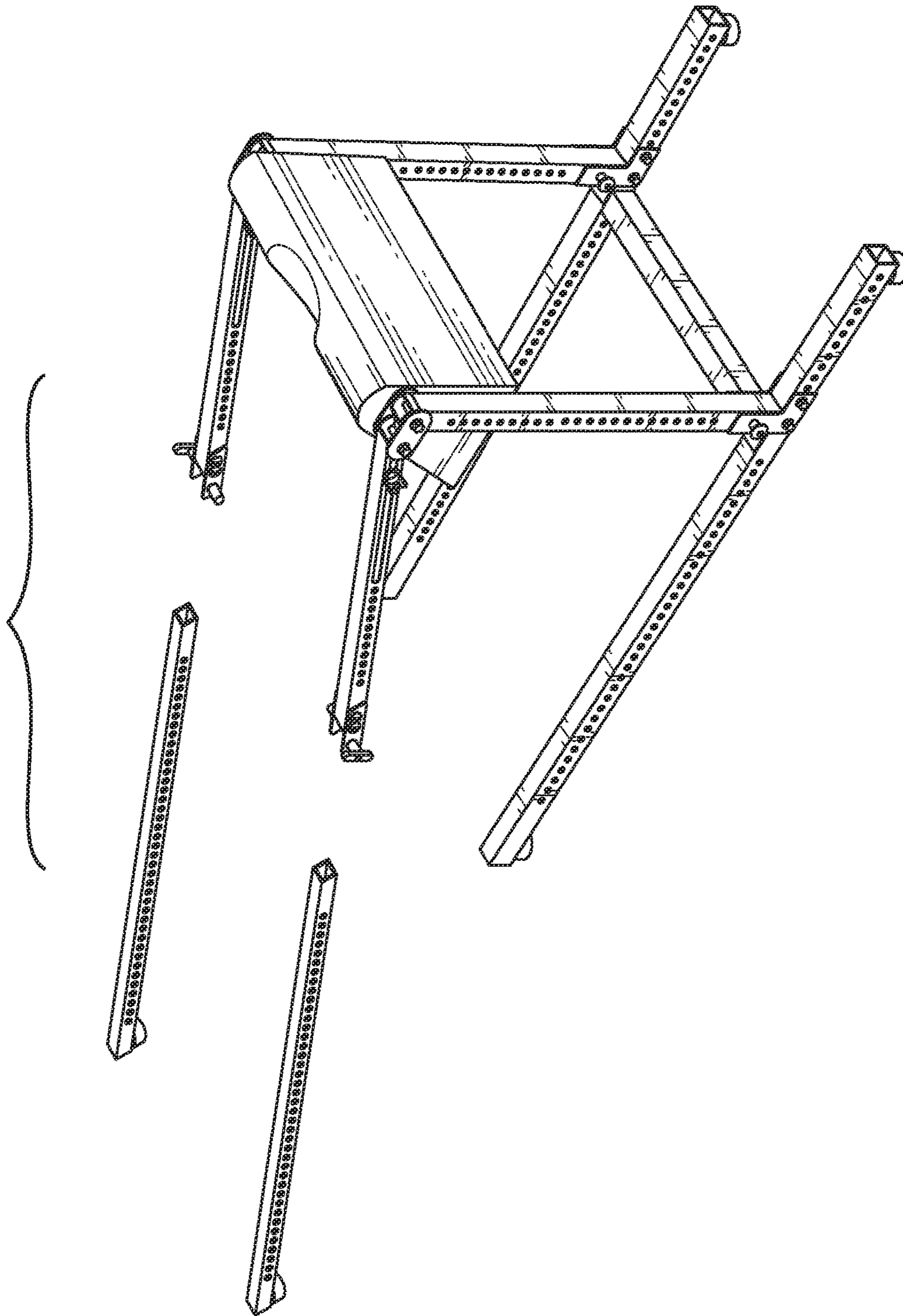


FIG. 10

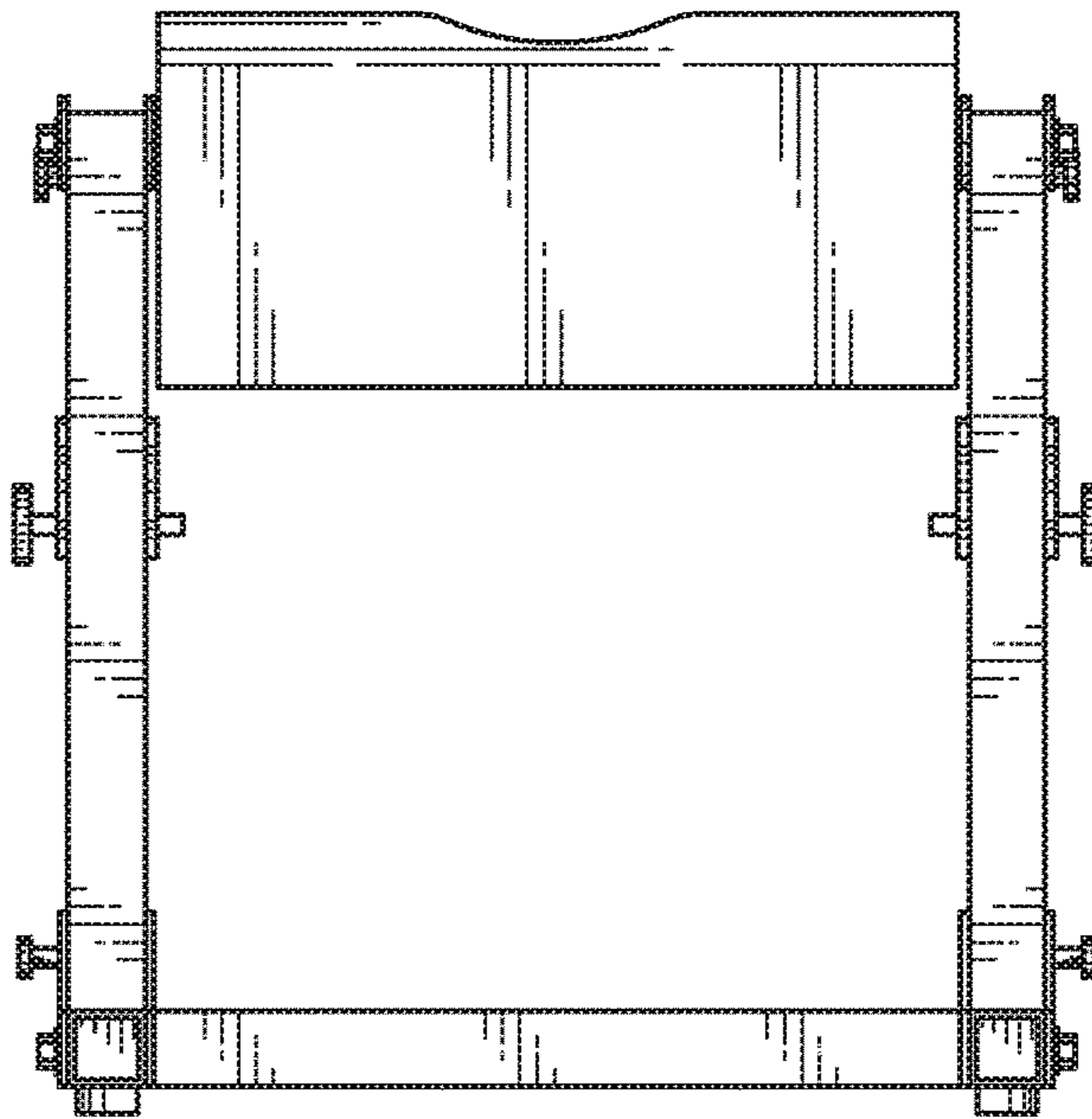


FIG. 11

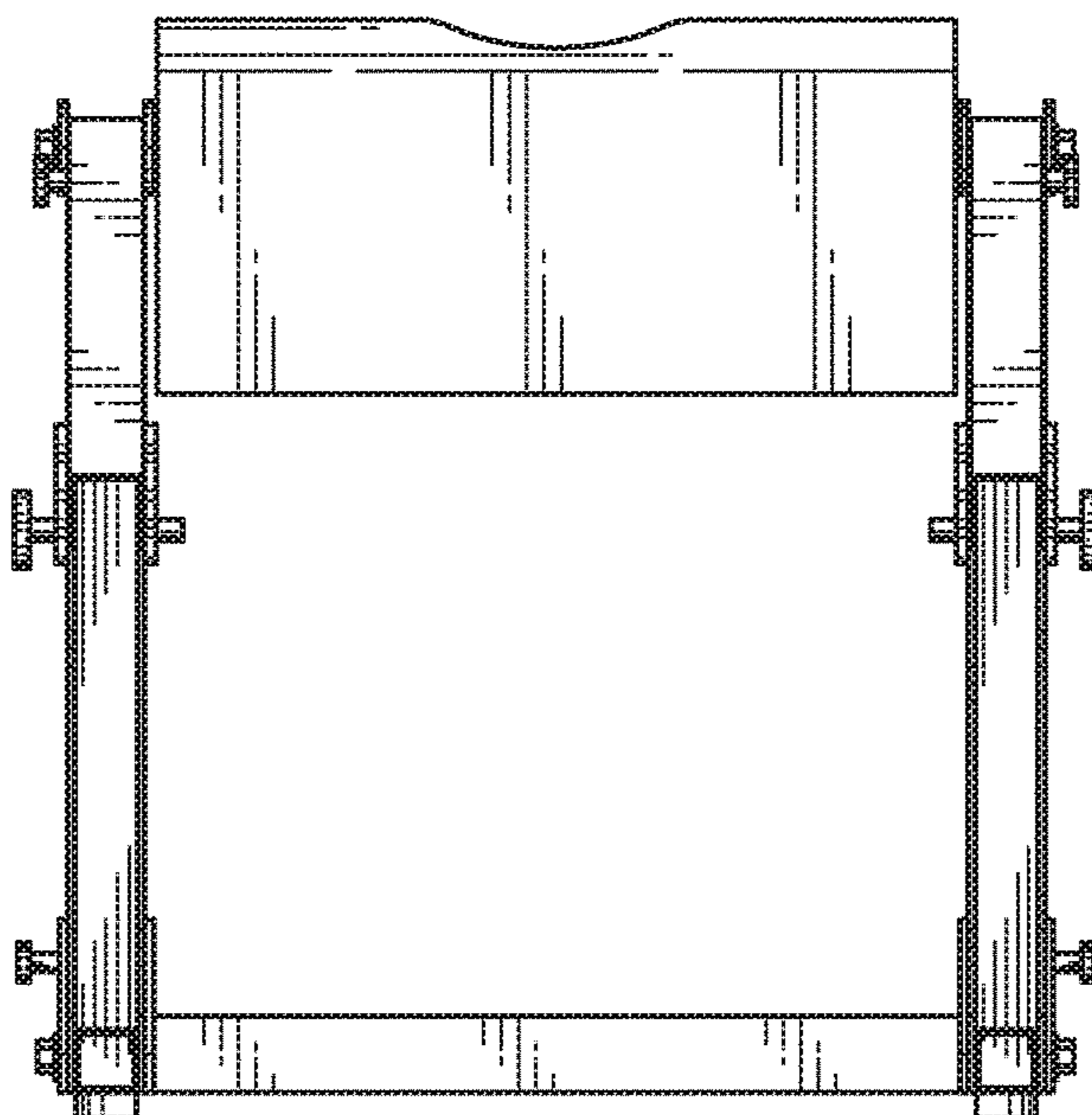


FIG. 12

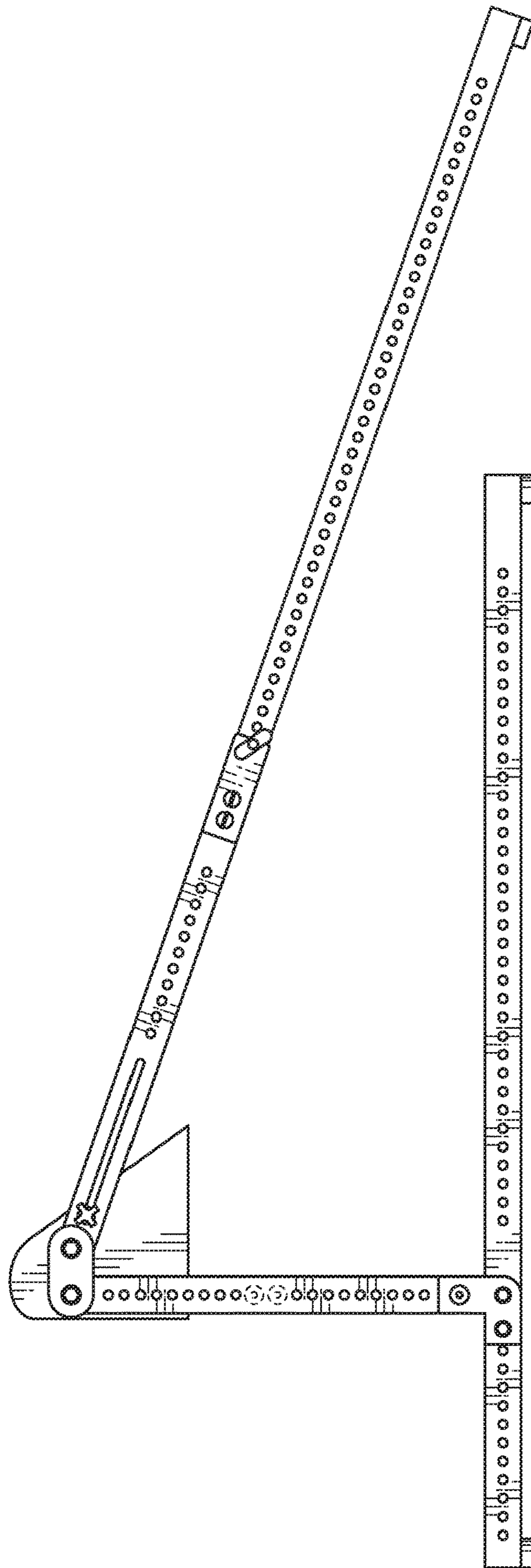


FIG. 13

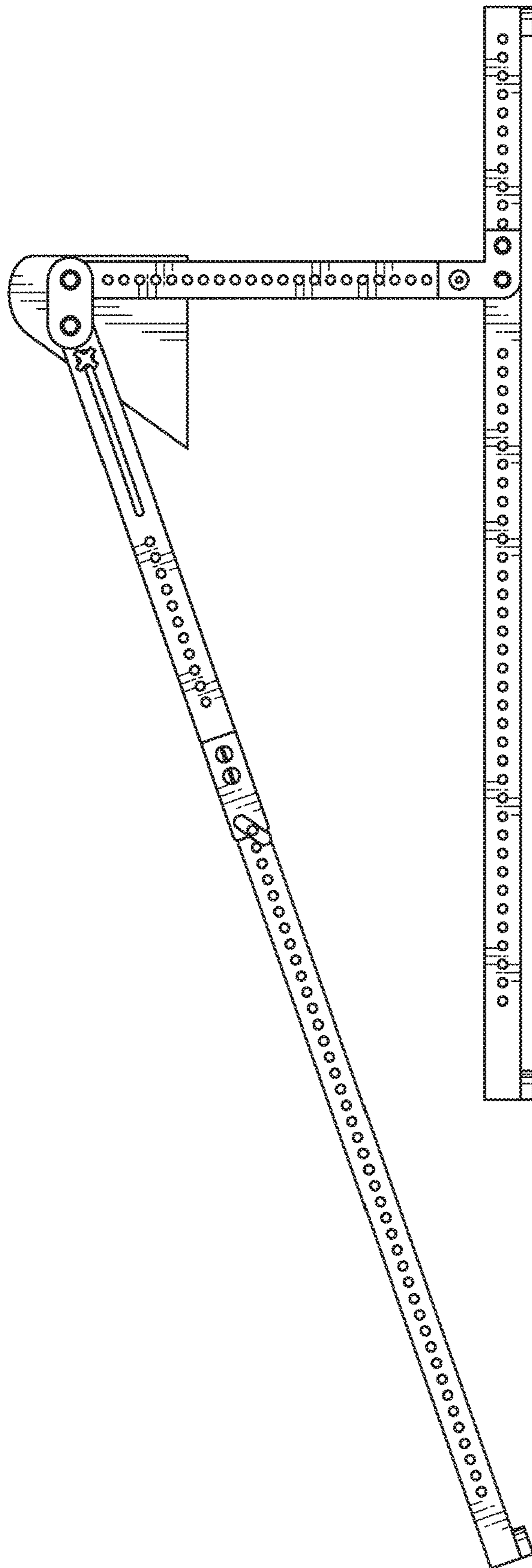


FIG. 14

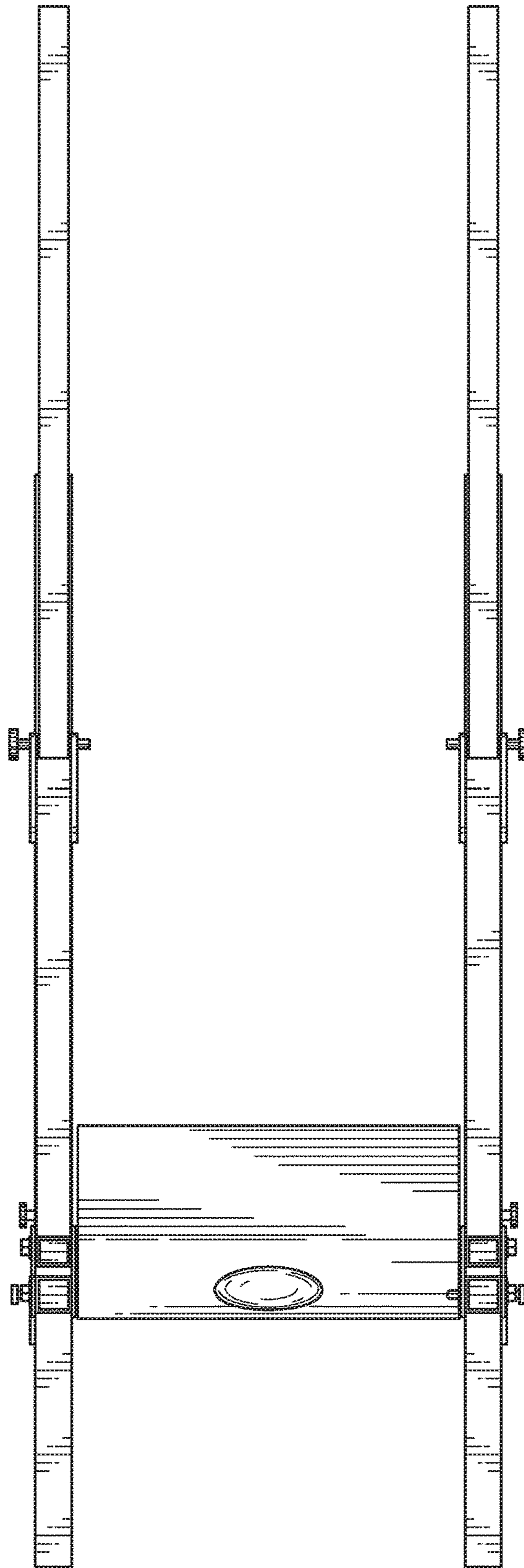


FIG. 15

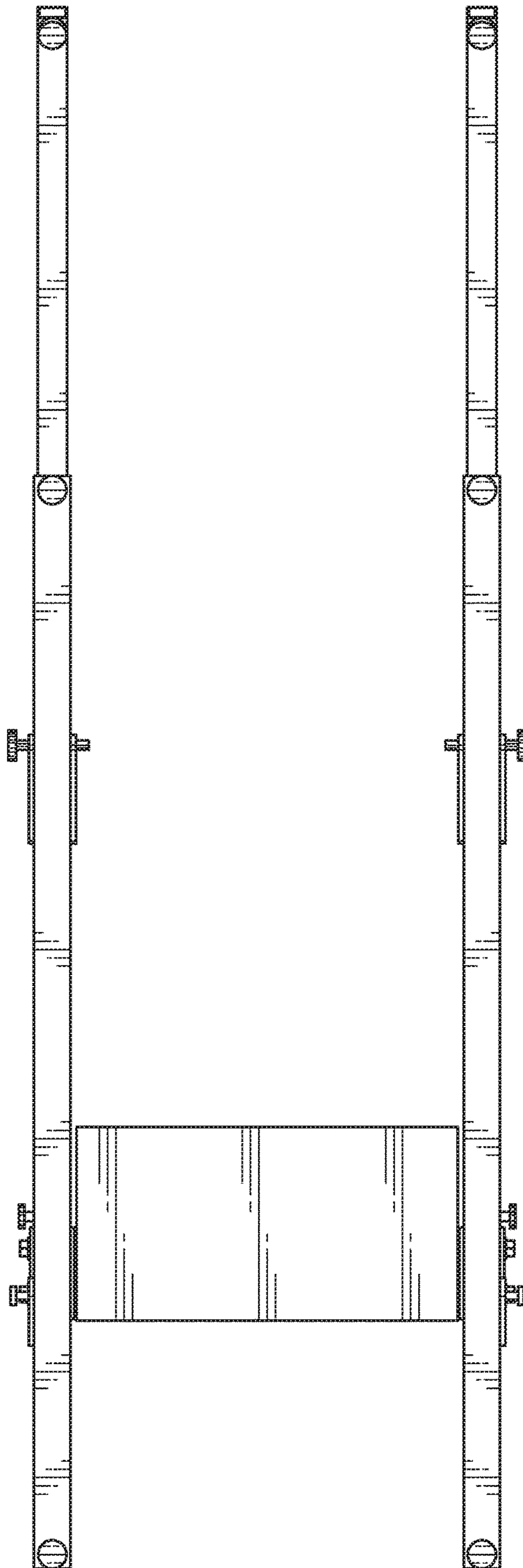


FIG. 16