



US00D819144S

(12) **United States Design Patent**  
**Greaves et al.**

(10) **Patent No.:** **US D819,144 S**  
(45) **Date of Patent:** **\*\* May 29, 2018**

- (54) **ROBOTIC TOY**
- (71) Applicant: **Play-i, Inc.**, Mountain View, CA (US)
- (72) Inventors: **Mikal Greaves**, Mountain View, CA (US); **Jussi Timonen**, Mountain View, CA (US)
- (73) Assignee: **Play-i, Inc.**, San Mateo, CA (US)
- (\*\*) Term: **15 Years**
- (21) Appl. No.: **29/528,936**
- (22) Filed: **Jun. 2, 2015**

**Related U.S. Application Data**

- (62) Division of application No. 29/496,533, filed on Jul. 14, 2014, now Pat. No. Des. 734,821.
- (51) **LOC (11) Cl.** ..... **21-01**
- (52) **U.S. Cl.**  
USPC ..... **D21/578**; D15/199
- (58) **Field of Classification Search**  
USPC ..... D21/578–583, 621, 622; 446/268–274, 446/279, 280, 285, 289–292, 294, 446/297–303, 353–355, 376–384; D15/199; 318/568.11, 568.12, 568.2  
CPC ..... B25J 9/00; B25J 9/0003; B25J 9/0006; A63H 3/003; A63H 3/46  
See application file for complete search history.

(56) **References Cited**

**U.S. PATENT DOCUMENTS**

- D290,032 S \* 5/1987 Horiuchi ..... D21/578
- D471,243 S \* 3/2003 Cioffi ..... D21/578

- 6,604,021 B2 \* 8/2003 Imai ..... G06N 3/008  
318/568.11
- D559,288 S \* 1/2008 Matsuda ..... D15/199
- D624,610 S \* 9/2010 Wu ..... D21/578
- D639,353 S \* 6/2011 Stibolt ..... D21/578

\* cited by examiner

*Primary Examiner* — Zenia Bennett

(74) *Attorney, Agent, or Firm* — Jeffrey Schox; Diana Lin

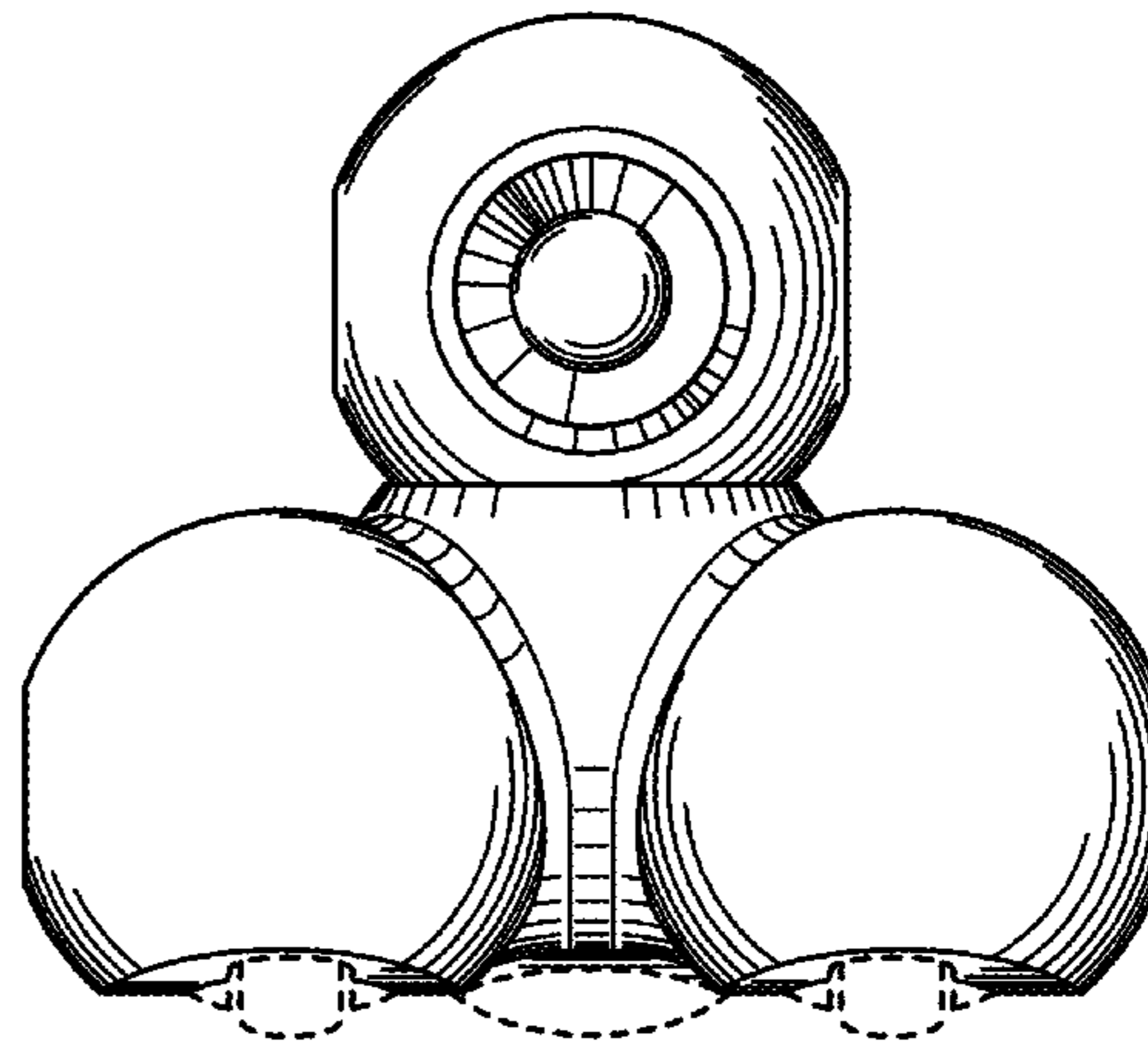
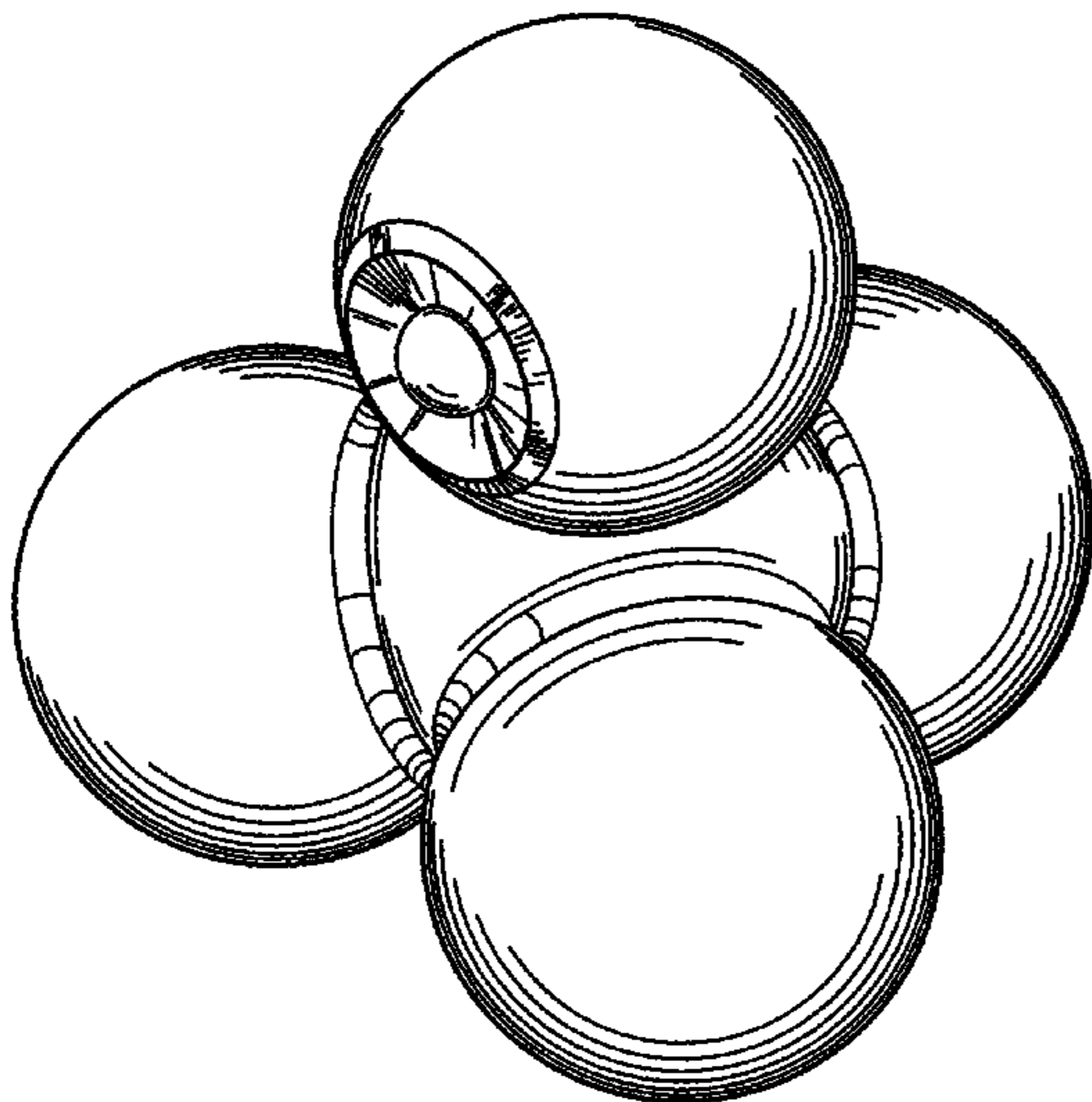
(57) **CLAIM**

I claim the ornamental design for a robotic toy, as shown and described.

**DESCRIPTION**

FIG. 1 is an isometric view, from the front right, of the robotic toy;  
 FIG. 2 is an elevation view of the front of the robotic toy;  
 FIG. 3 is an elevation view of the right side of the robotic toy;  
 FIG. 4 is an elevation view of the left side of the robotic toy;  
 FIG. 5 is an elevation view of the top of the robotic toy;  
 FIG. 6 is an elevation view of the bottom of the robotic toy;  
 FIG. 7 is an elevation view of the back of the robotic toy;  
 and,  
 FIG. 8 is an isometric view from the back left of the robotic toy.  
 The broken lines in the Figures show portions of the robotic toy, which form no part of the claimed design.

**1 Claim, 4 Drawing Sheets**



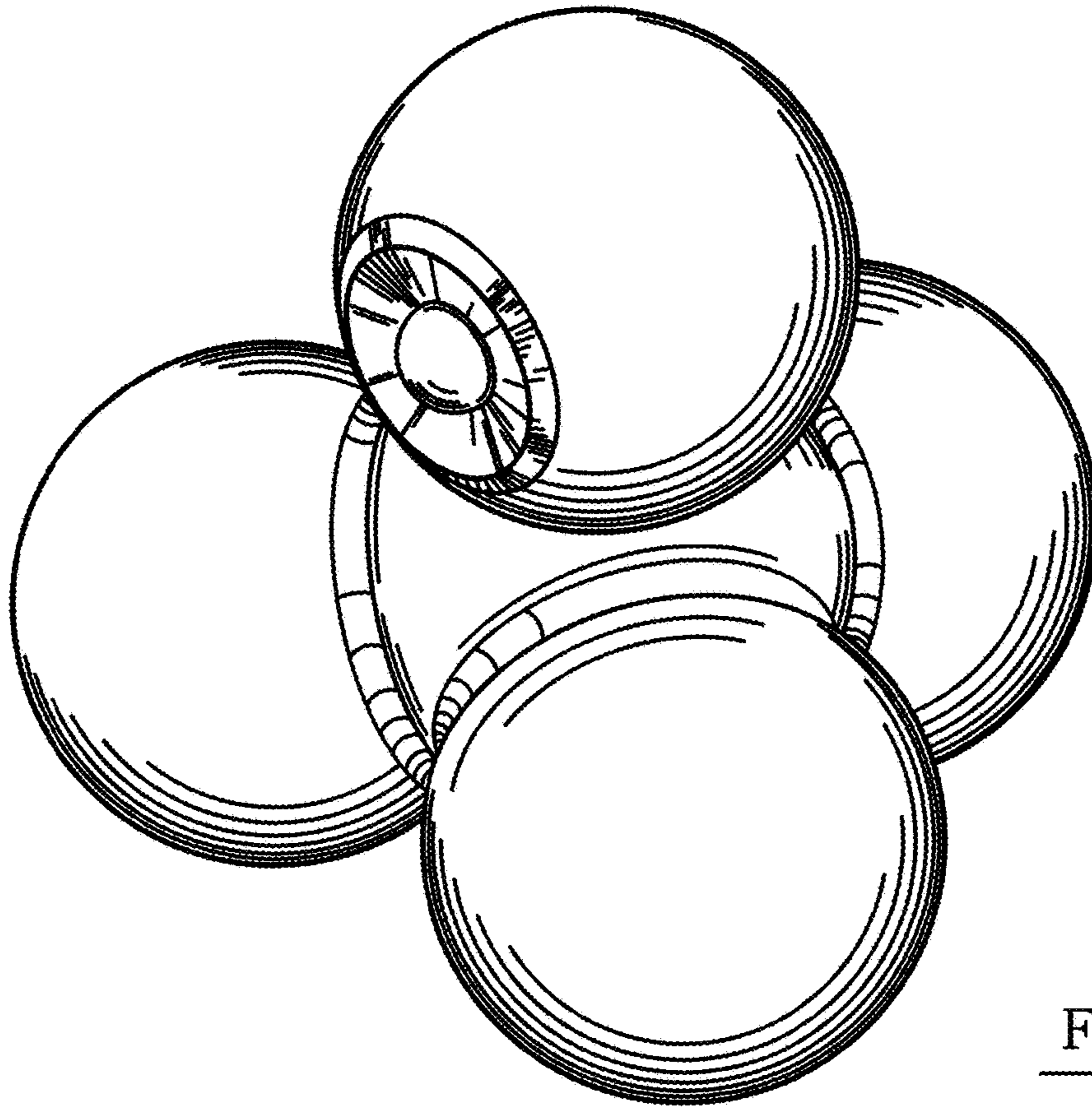


FIG. 1

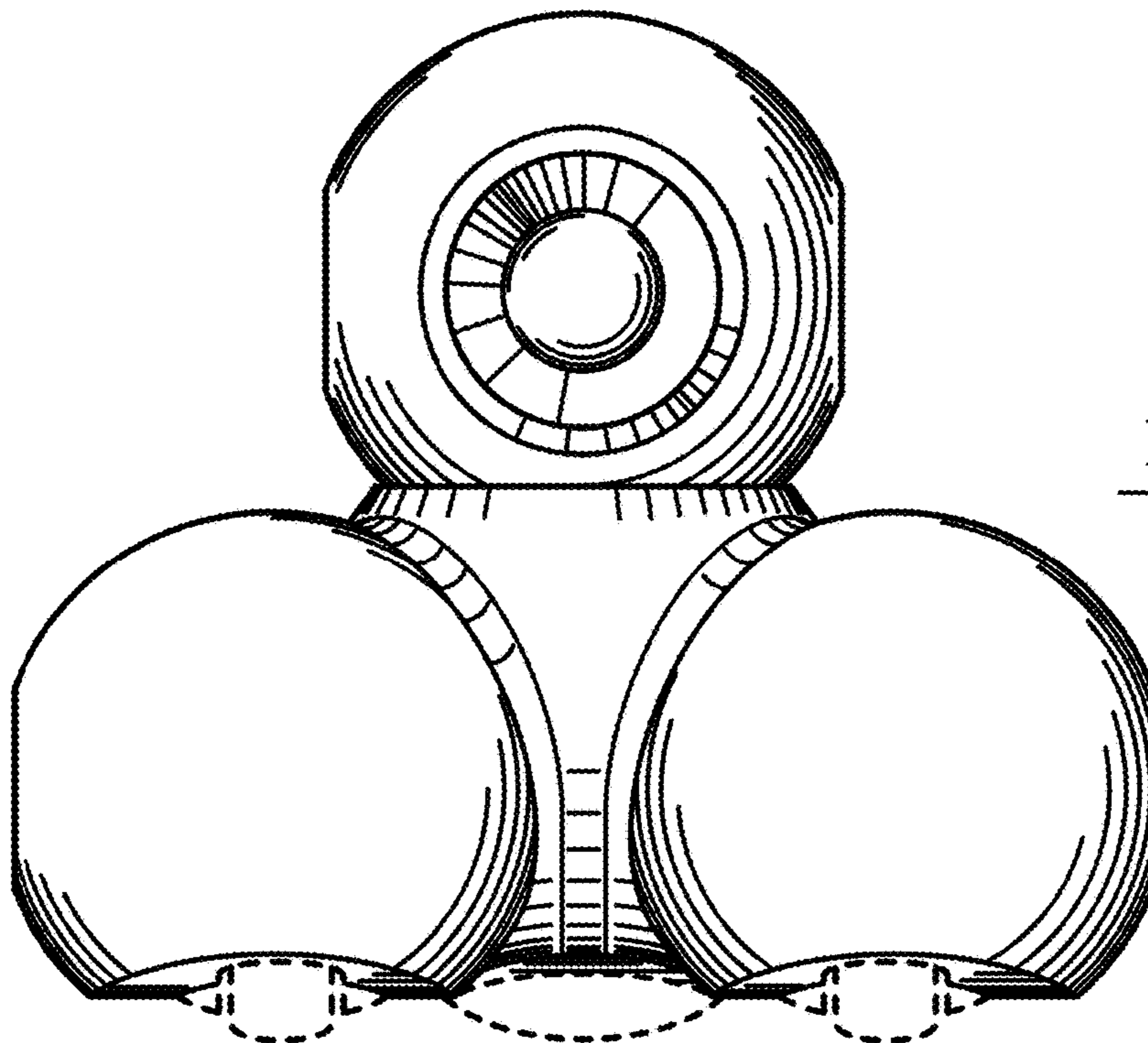


FIG. 2

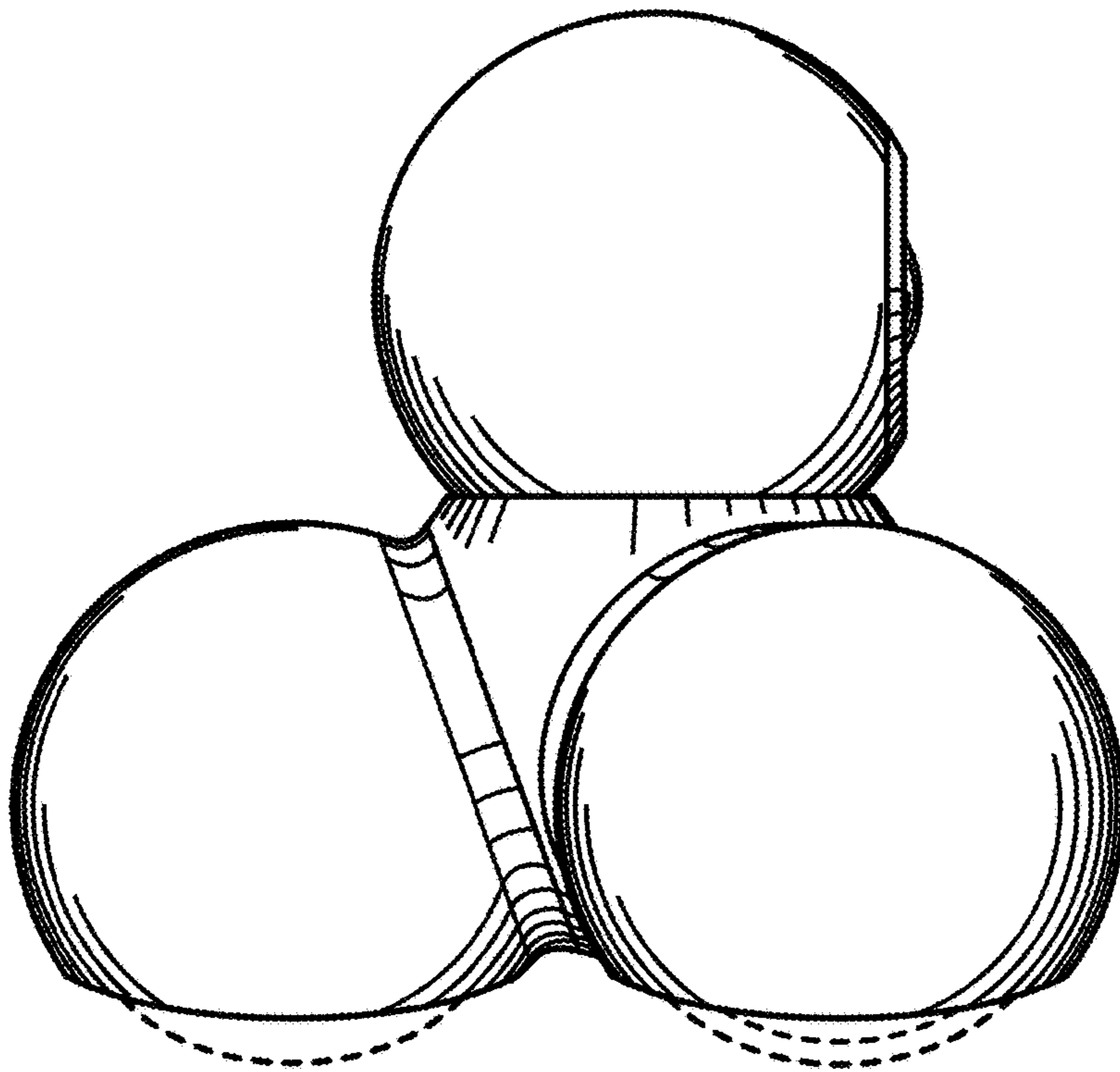


FIG. 3

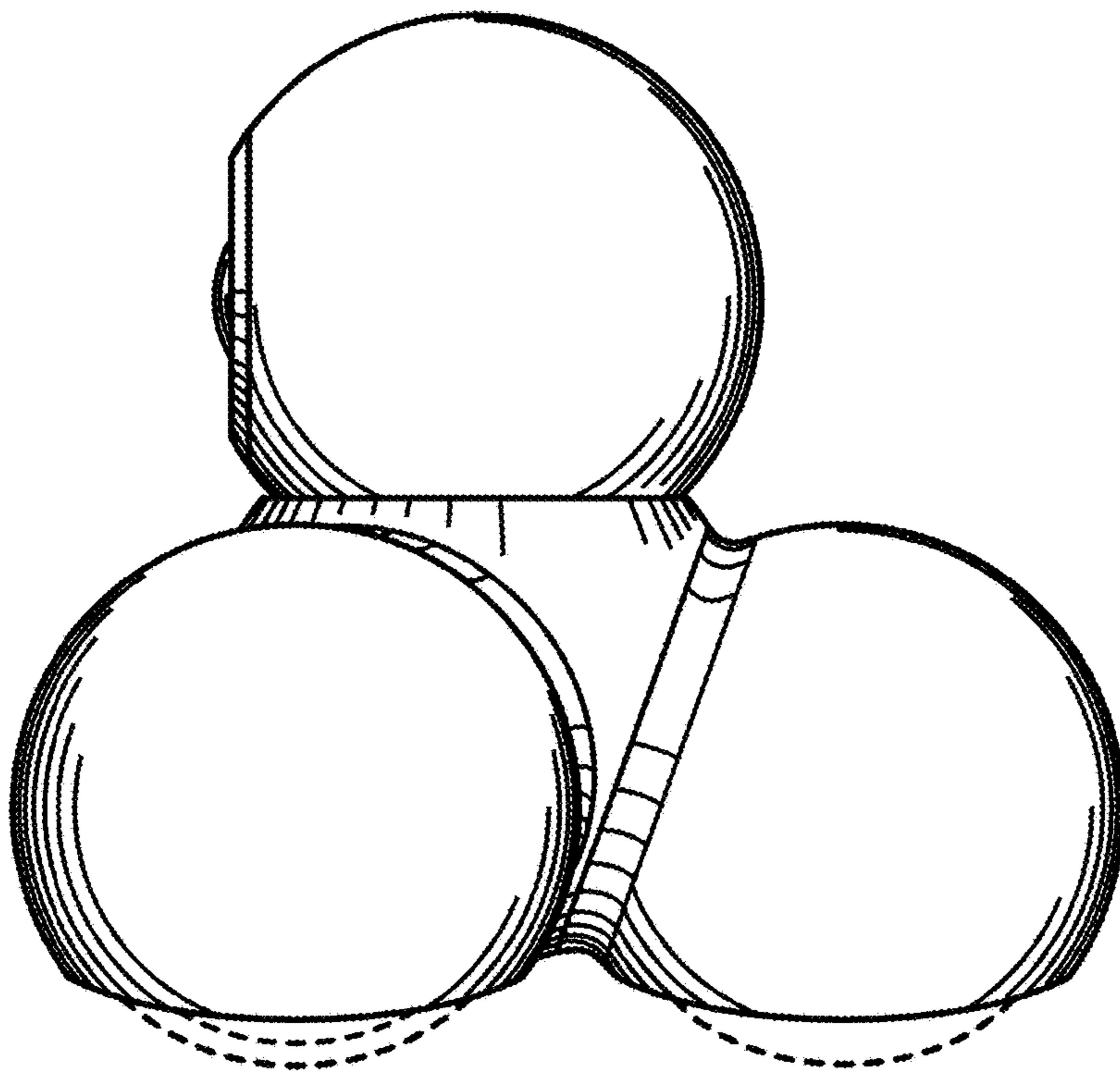


FIG. 4

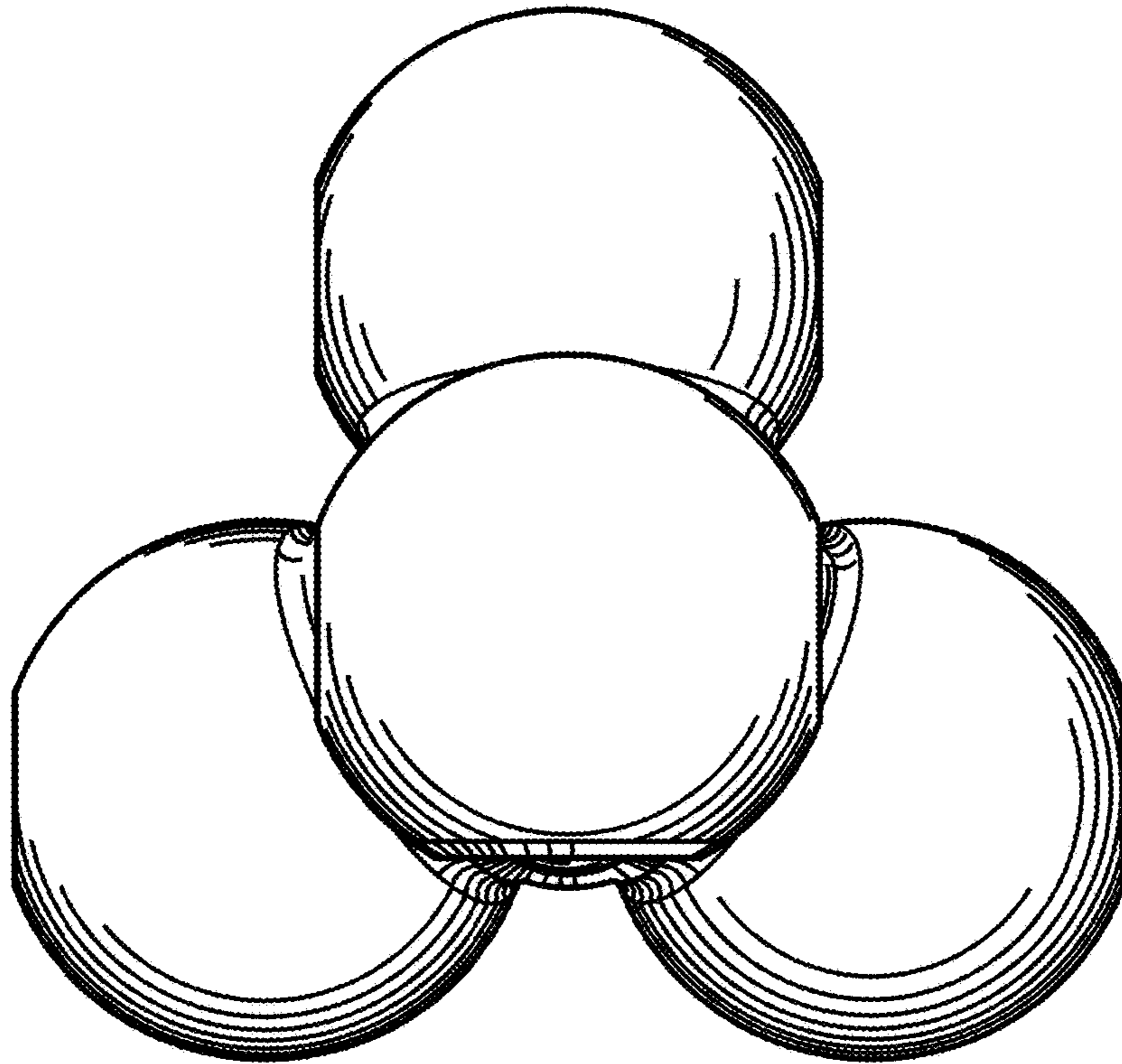


FIG. 5

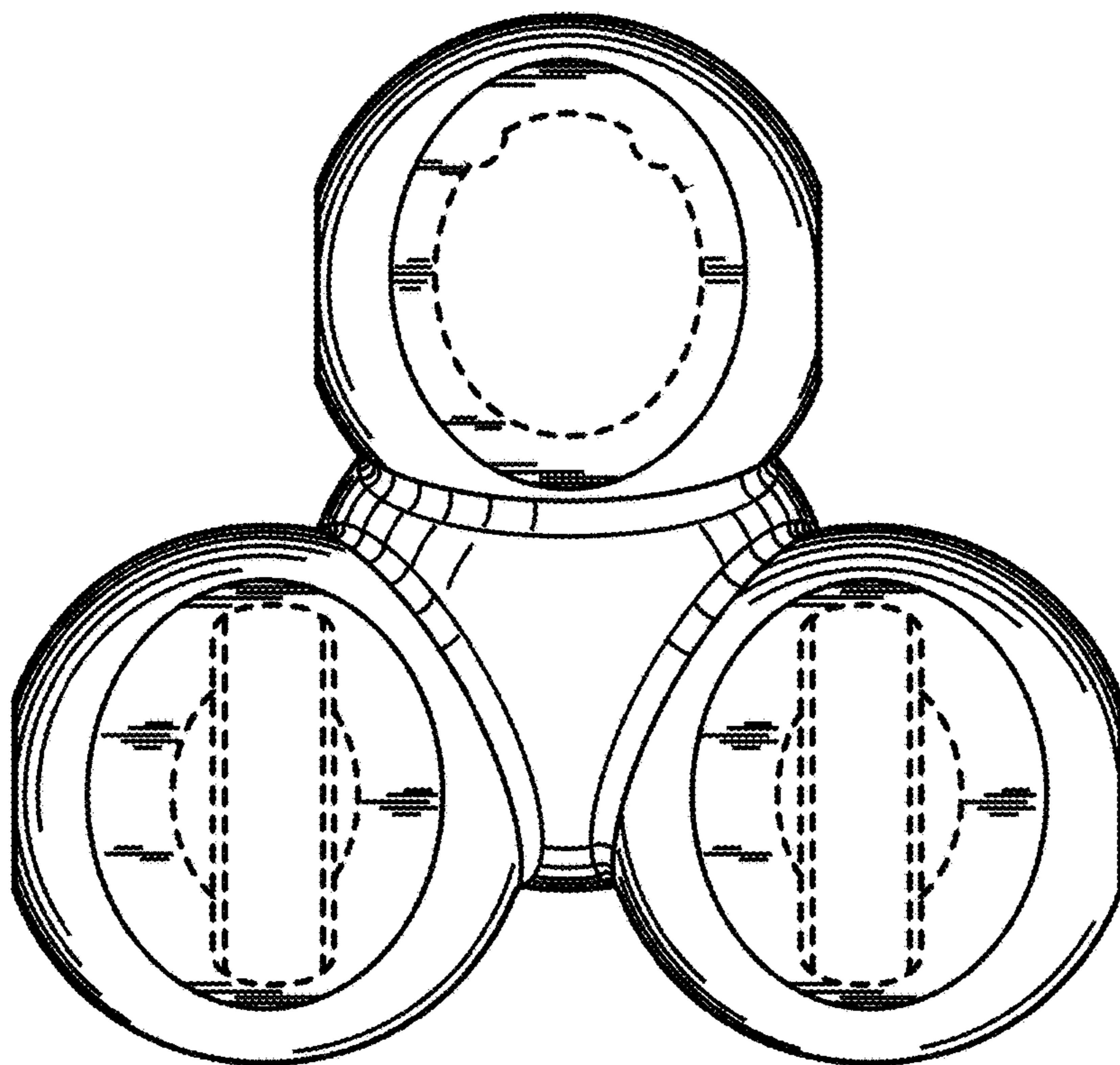


FIG. 6

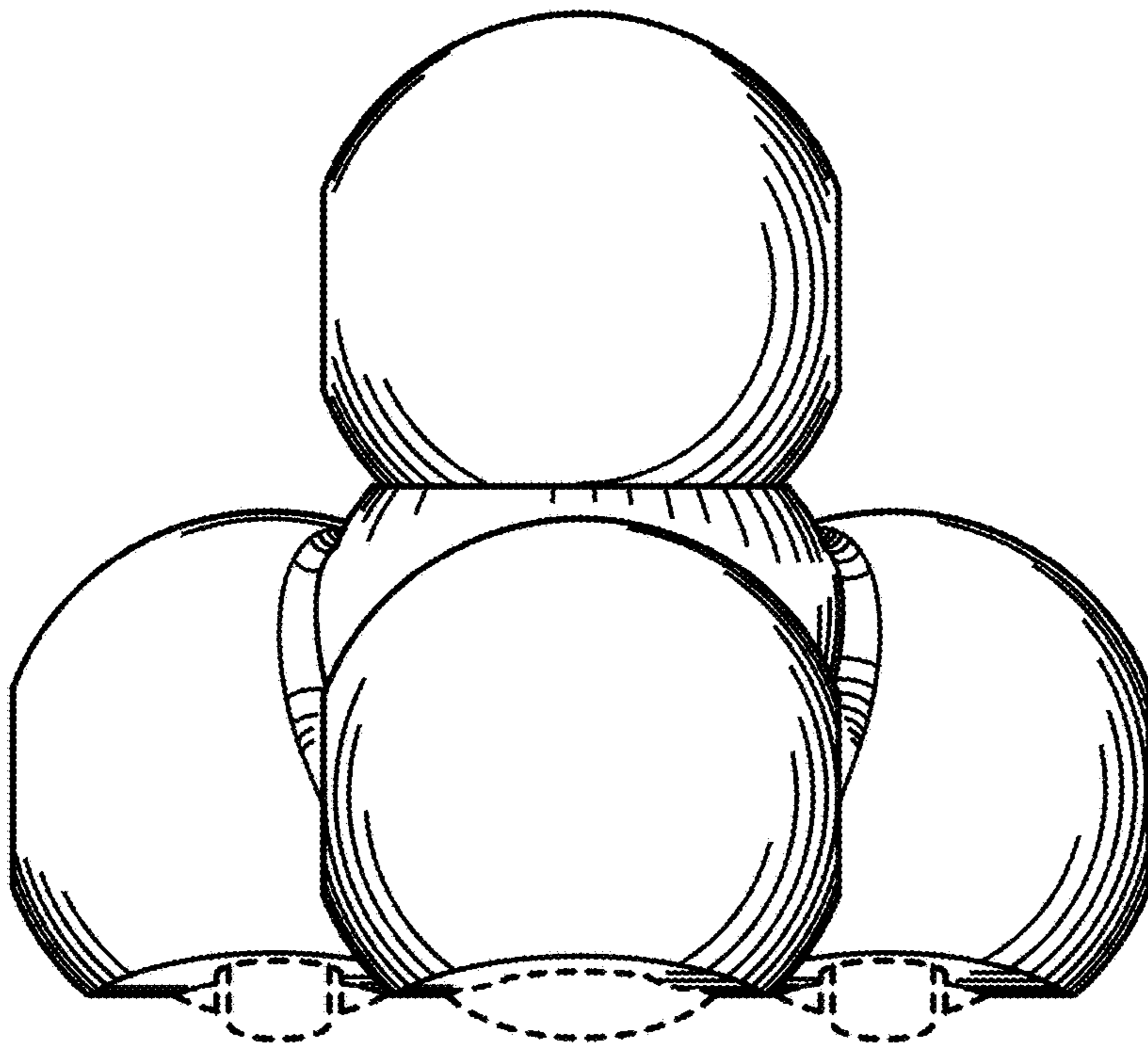


FIG. 7

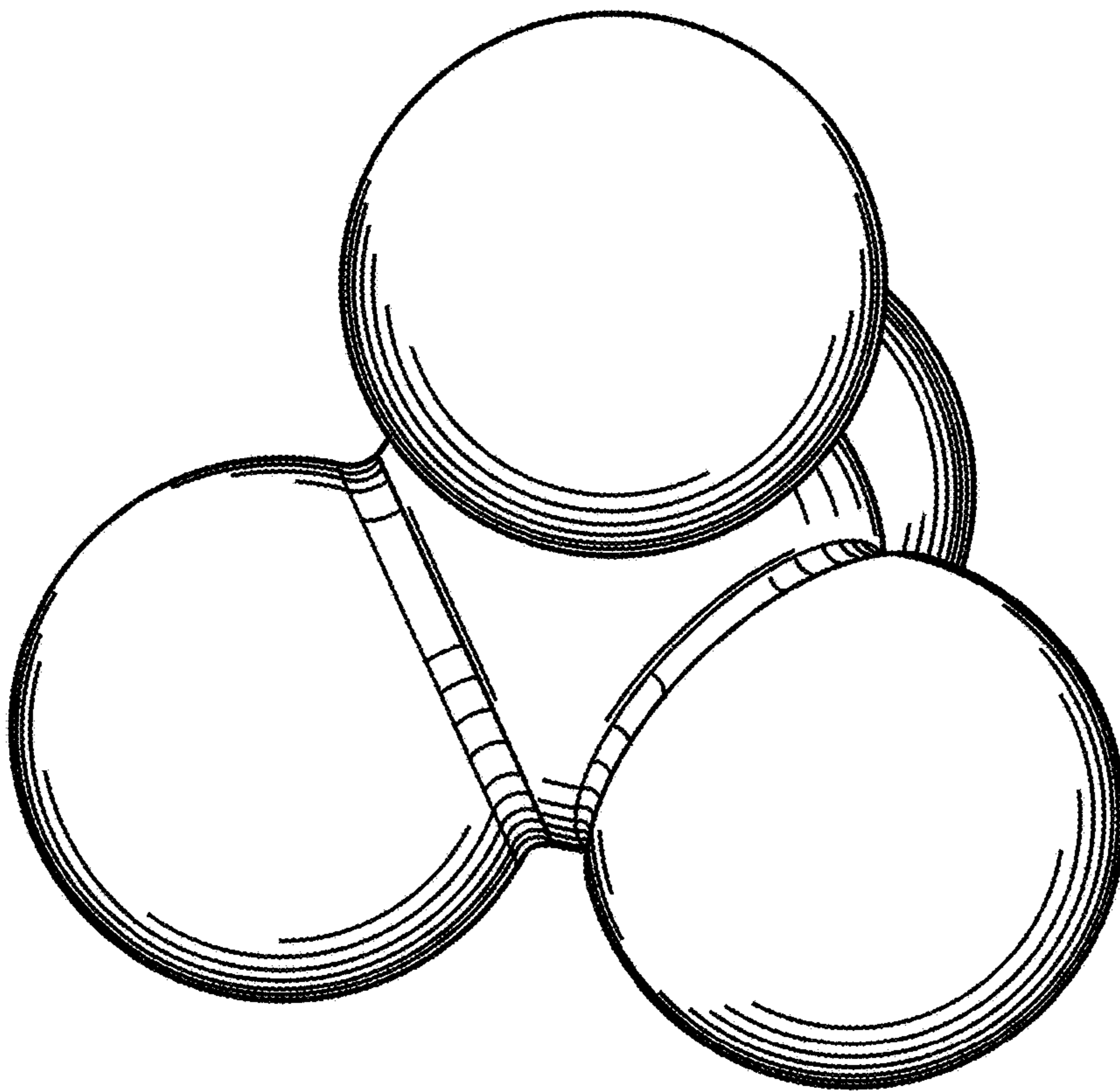


FIG. 8