



US00D819143S

(12) **United States Design Patent** (10) **Patent No.:** **US D819,143 S**
Lyon et al. (45) **Date of Patent:** **** May 29, 2018**

(54) **DESK OR FIDGET TOY**

(56) **References Cited**

(71) Applicants: **Kent David Lyon**, Cypress, TX (US);
Jym Daniel, Austin, TX (US)

(72) Inventors: **Kent David Lyon**, Cypress, TX (US);
Jym Daniel, Austin, TX (US)

(**) Term: **15 Years**

(21) Appl. No.: **29/601,283**

(22) Filed: **Apr. 20, 2017**

U.S. PATENT DOCUMENTS

139,533	A *	6/1873	Batchelder	A63F 7/38 446/247
1,554,781	A *	9/1925	Blecker	A63B 67/16 446/255
1,780,385	A *	11/1930	Guyot	A63H 1/30 446/248
D91,118	S *	11/1933	Lorenzi	D21/465
1,942,719	A *	1/1934	Mikamo	A63B 67/205 473/507

(Continued)

FOREIGN PATENT DOCUMENTS

DE	535427	C *	11/1931	A63B 67/16
DE	2155813	A1 *	5/1973	A63B 67/08

(Continued)

Primary Examiner — Catherine A Tuttle

(74) *Attorney, Agent, or Firm* — Karen B. Tripp

(57) **CLAIM**

The ornamental design for a desk or fidget toy, as shown and described.

DESCRIPTION

FIG. 1 is a perspective view of a desk or fidget toy showing our new design;
FIG. 2 is a front elevation view thereof;
FIG. 3 is a rear elevation view thereof;
FIG. 4 is a left side elevation view thereof;
FIG. 5 is a right side elevation view thereof;
FIG. 6 is a top plan view thereof;
FIG. 7 is a bottom plan view thereof;
FIG. 8 is an exploded front elevation view thereof;
FIG. 9 is a front and rear elevation view of an alternative embodiment of our new design;
FIG. 10 is a left side and right side elevation view thereof;
FIG. 11 is a top and bottom plan view thereof; and,
FIG. 12 is an exploded front elevation view thereof.

Related U.S. Application Data

(63) Continuation-in-part of application No. 15/494,969, filed on Apr. 19, 2017, now Pat. No. 9,744,796, and a continuation-in-part of application No. 15/491,957, filed on Apr. 19, 2017.

(51) **LOC (11) Cl.** **21-01**

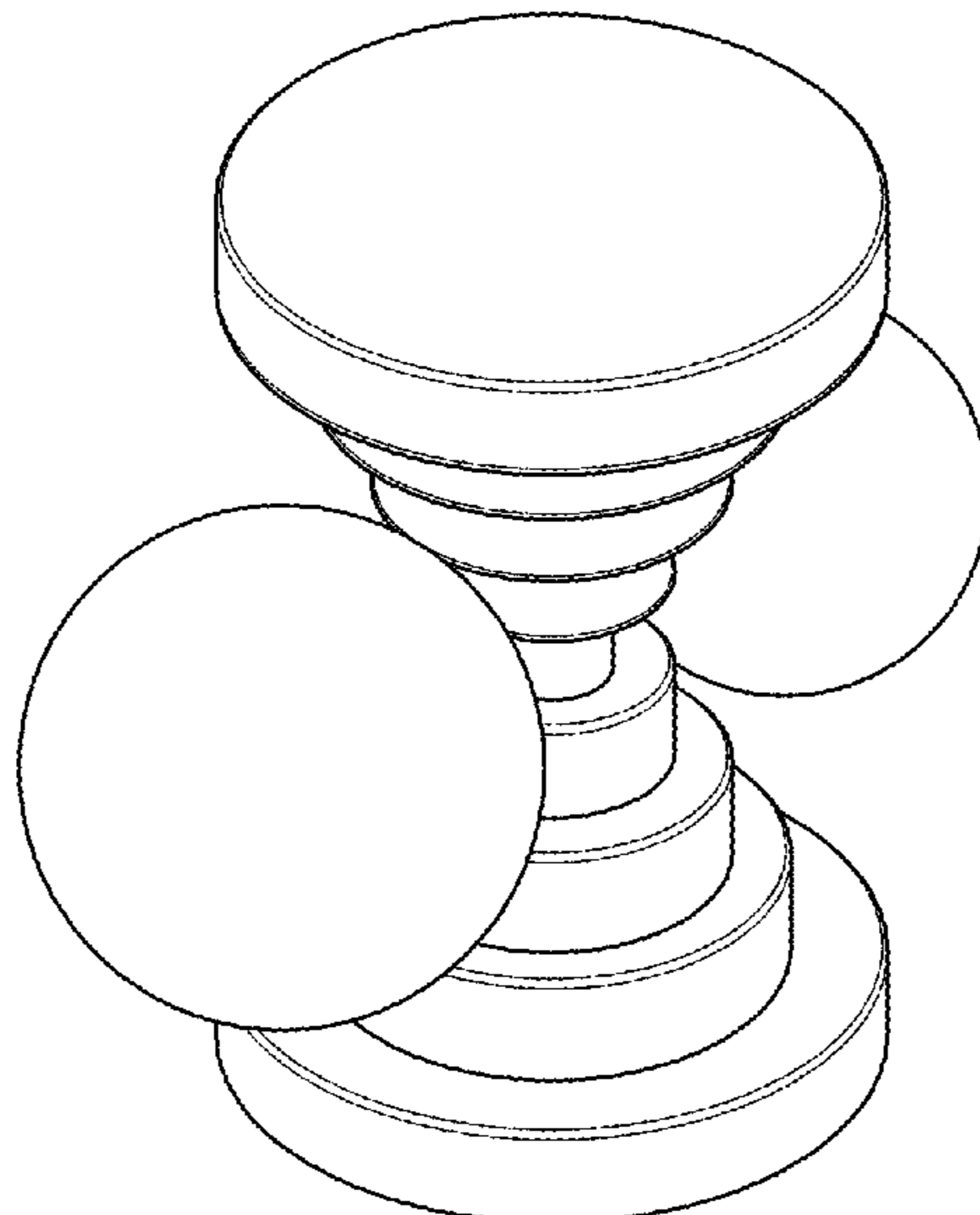
(52) **U.S. Cl.**
USPC **D21/398**; D21/400; D21/404

(58) **Field of Classification Search**

USPC D21/398, 421, 444, 455–461, 463–466, D21/488, 502, 563, 680, 707, 404, 681, D21/682, 722, 723; D30/160; D24/200, D24/211–215; 446/129–139, 236–266, 446/431, 450–453, 505, 506; 273/330, 273/331, 348.3, 359, 364, 443, 447, 448, 273/456, DIG. 31
CPC A63H 1/00–1/32; A63H 33/00; A63H 33/007; A63H 33/02; A63H 33/26; A63B 67/08; A63B 67/083; A63B 67/086; A63B 67/16; A63B 67/20; A63B 67/22; A63B 2209/08; A63B 59/20; A63B 59/30; A63F 2007/0088; A63F 2007/0094; A63F 2007/4081; A63F 2007/4087; A63F 9/34

See application file for complete search history.

1 Claim, 5 Drawing Sheets



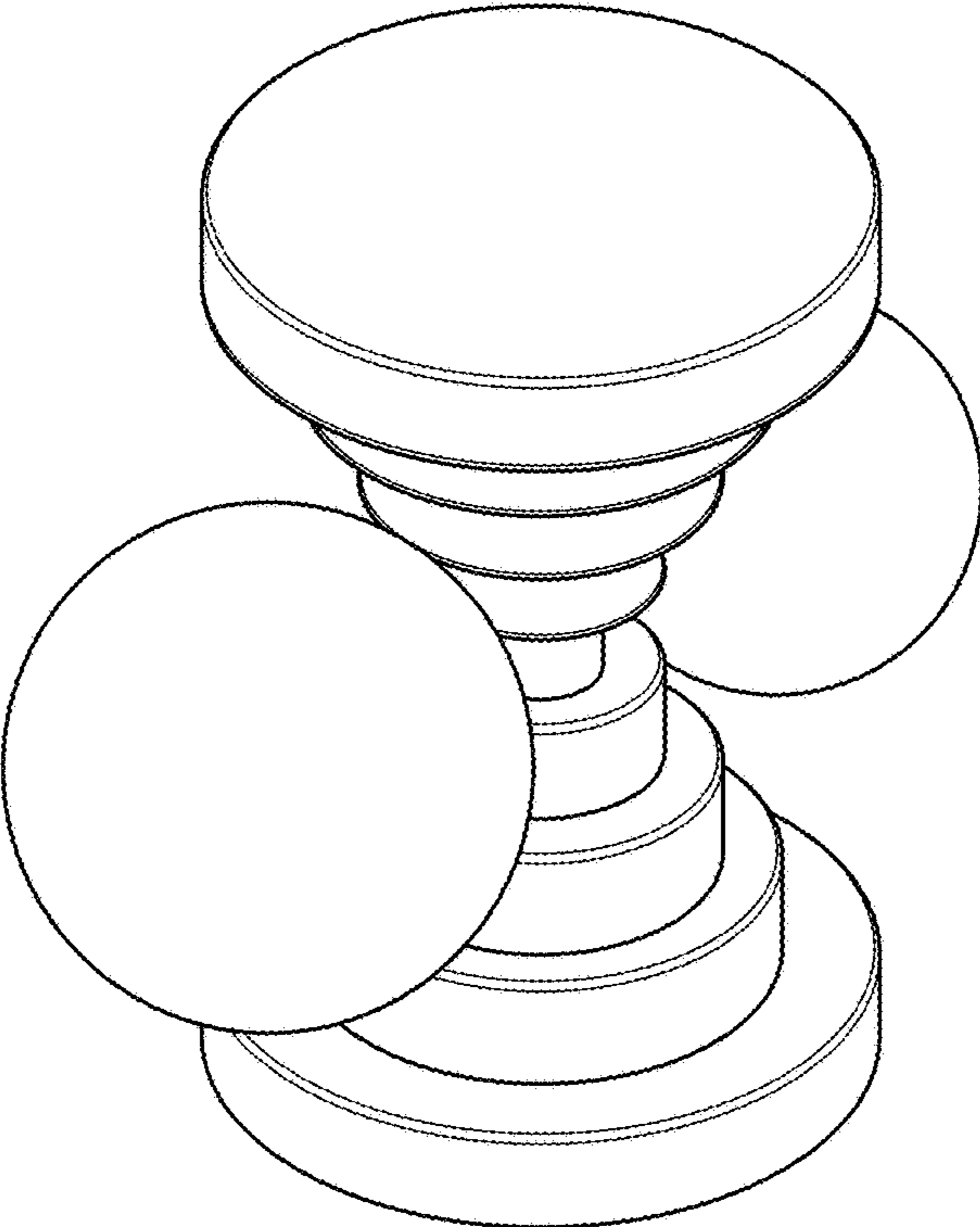


FIG. 1

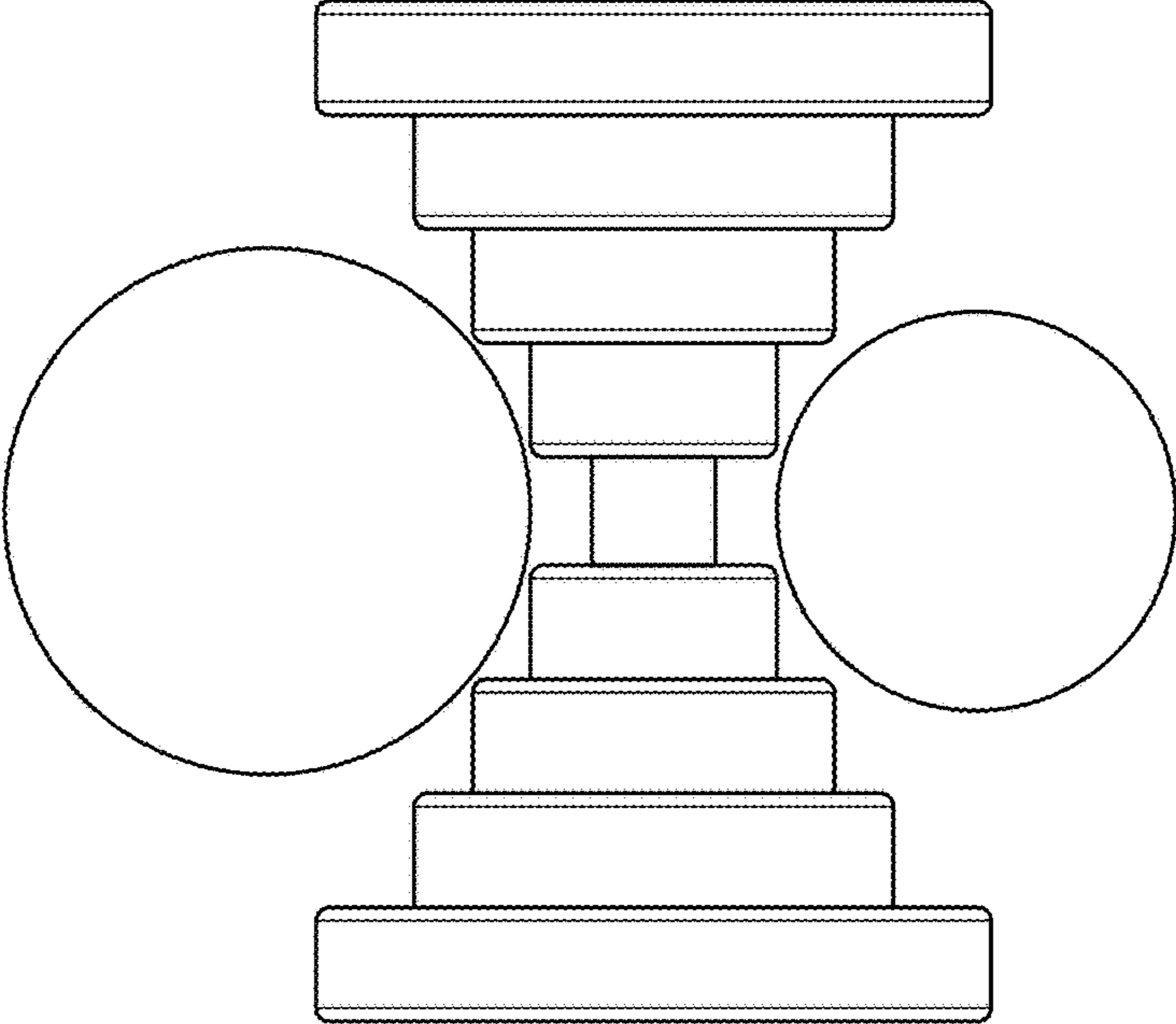


FIG. 2

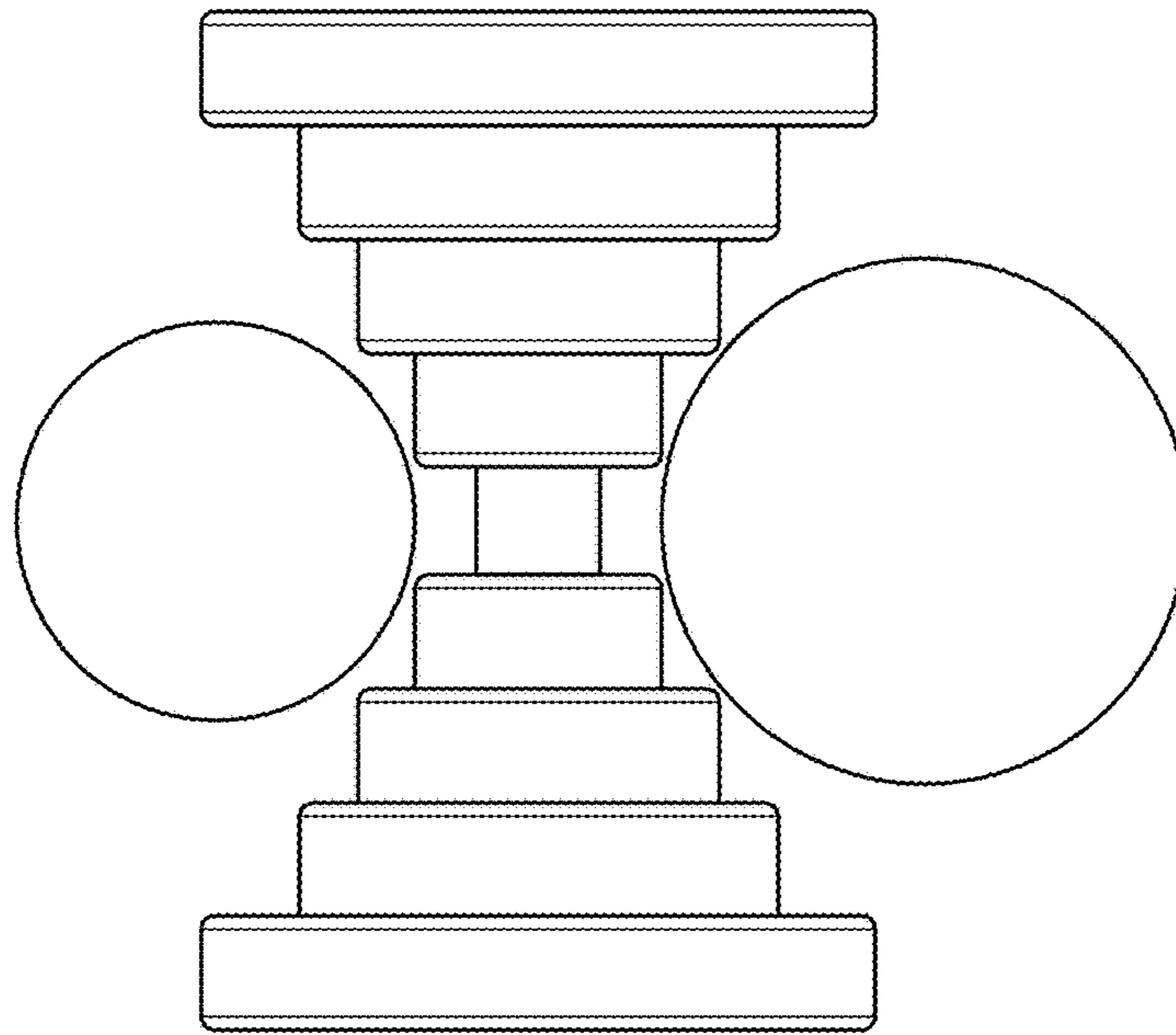


FIG. 3

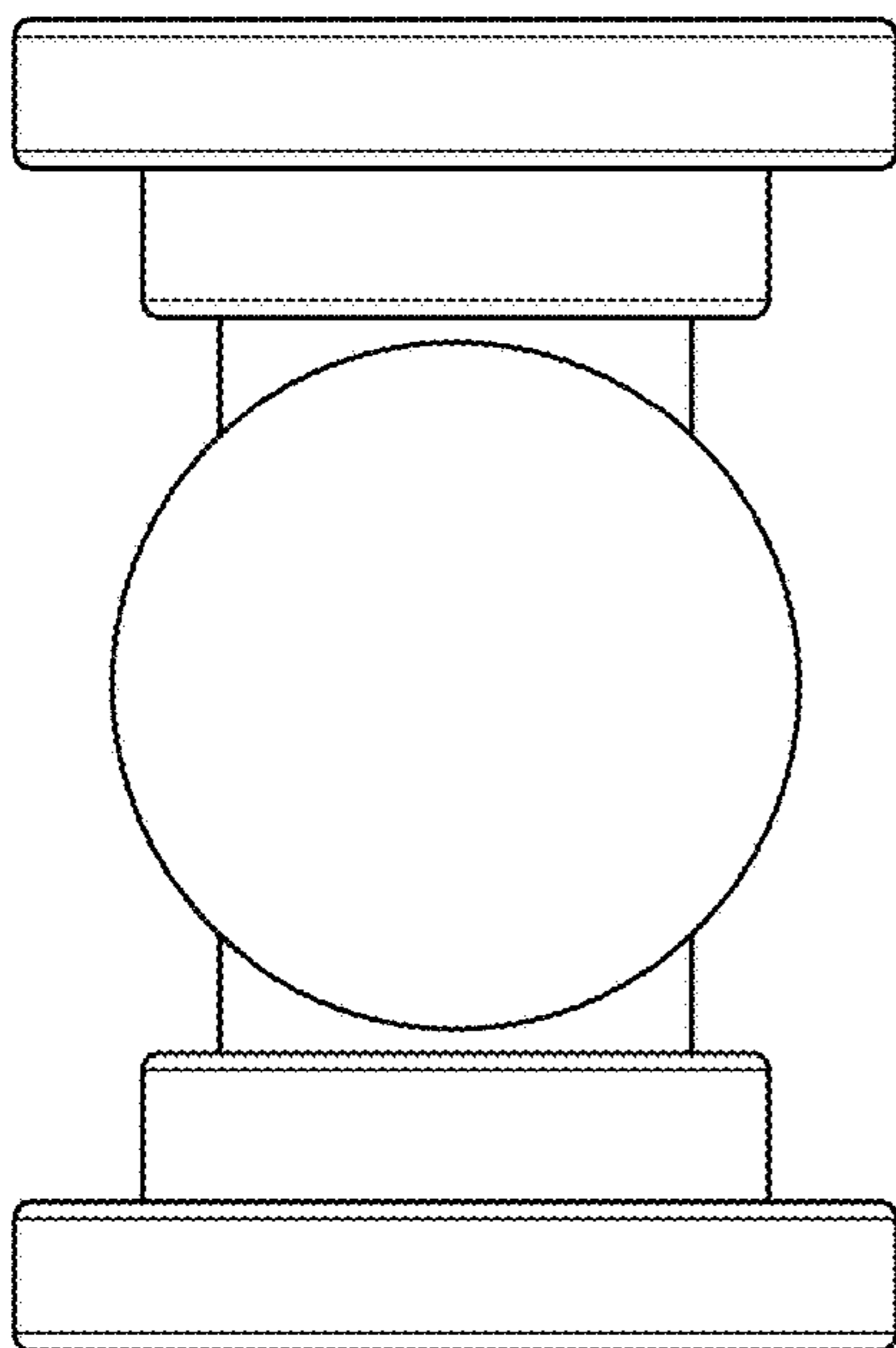


FIG. 4

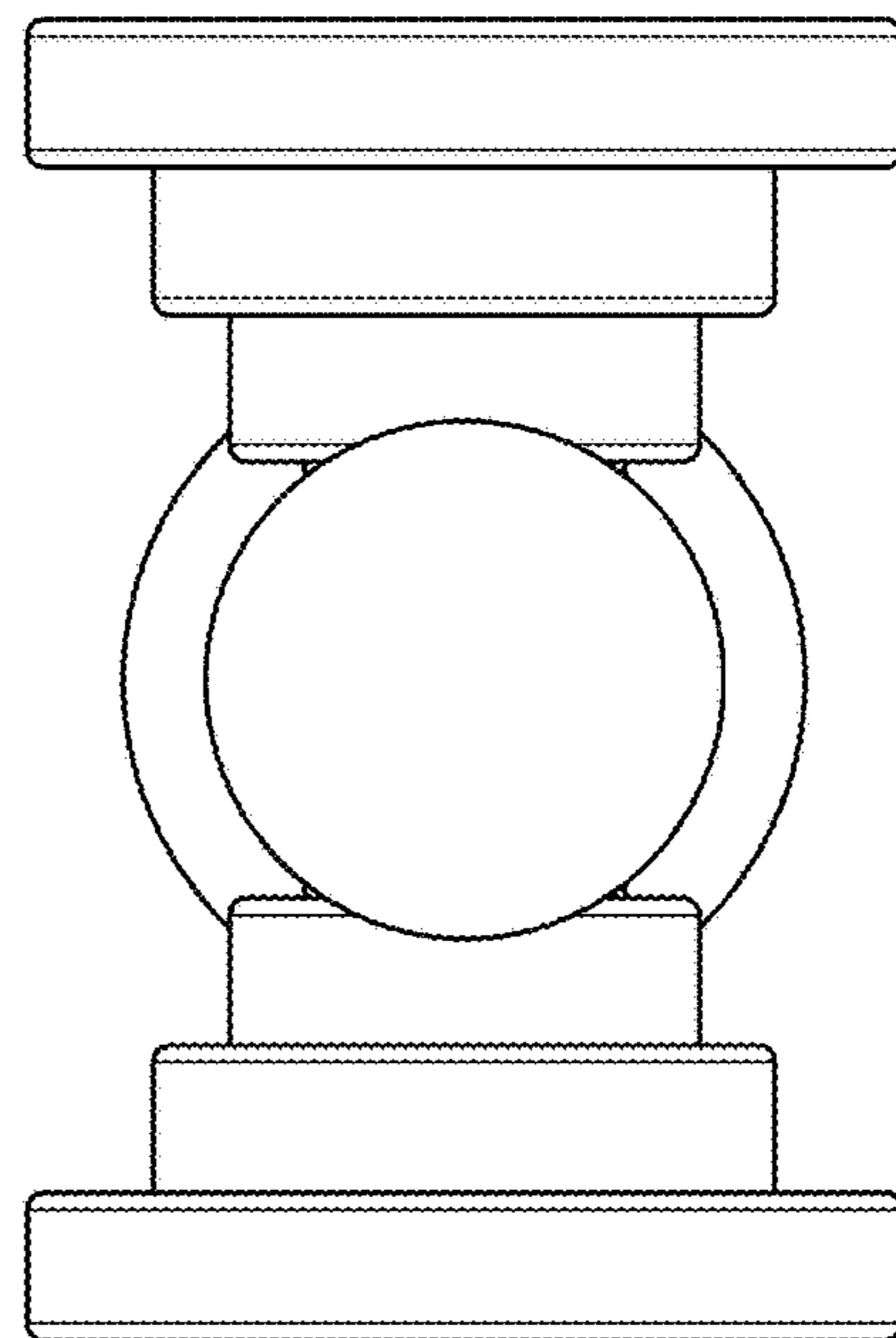


FIG. 5

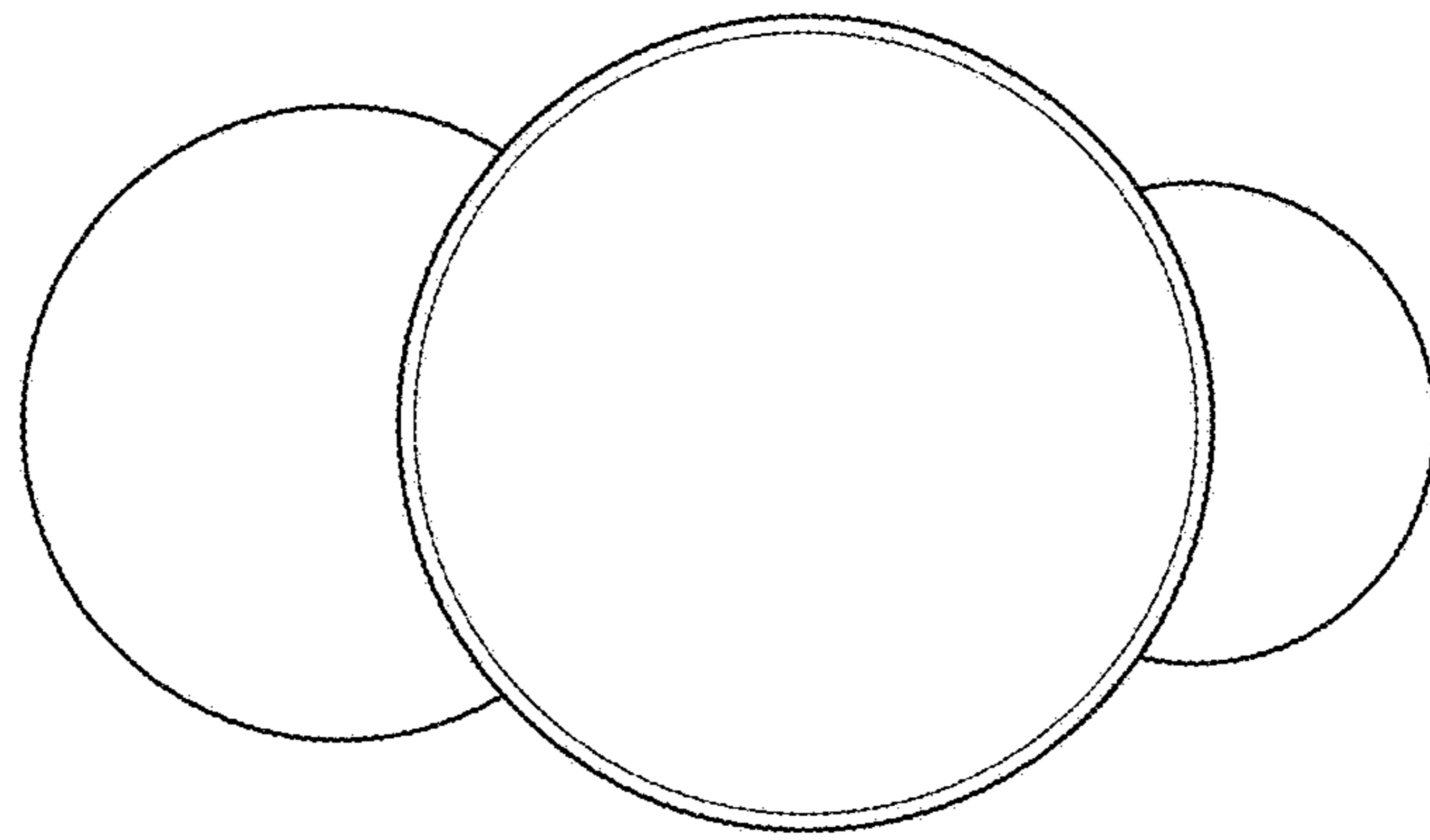


FIG. 6

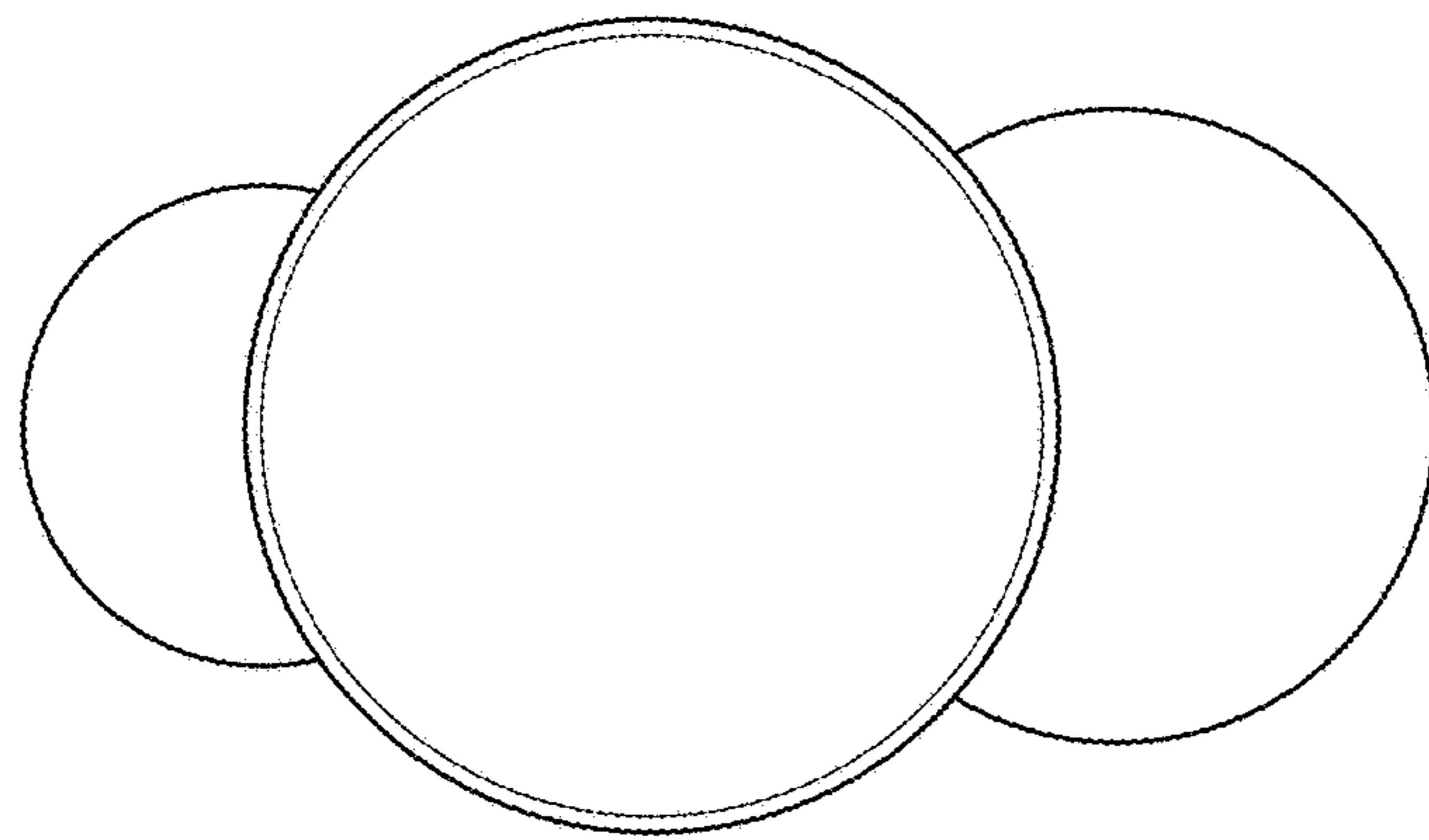


FIG. 7

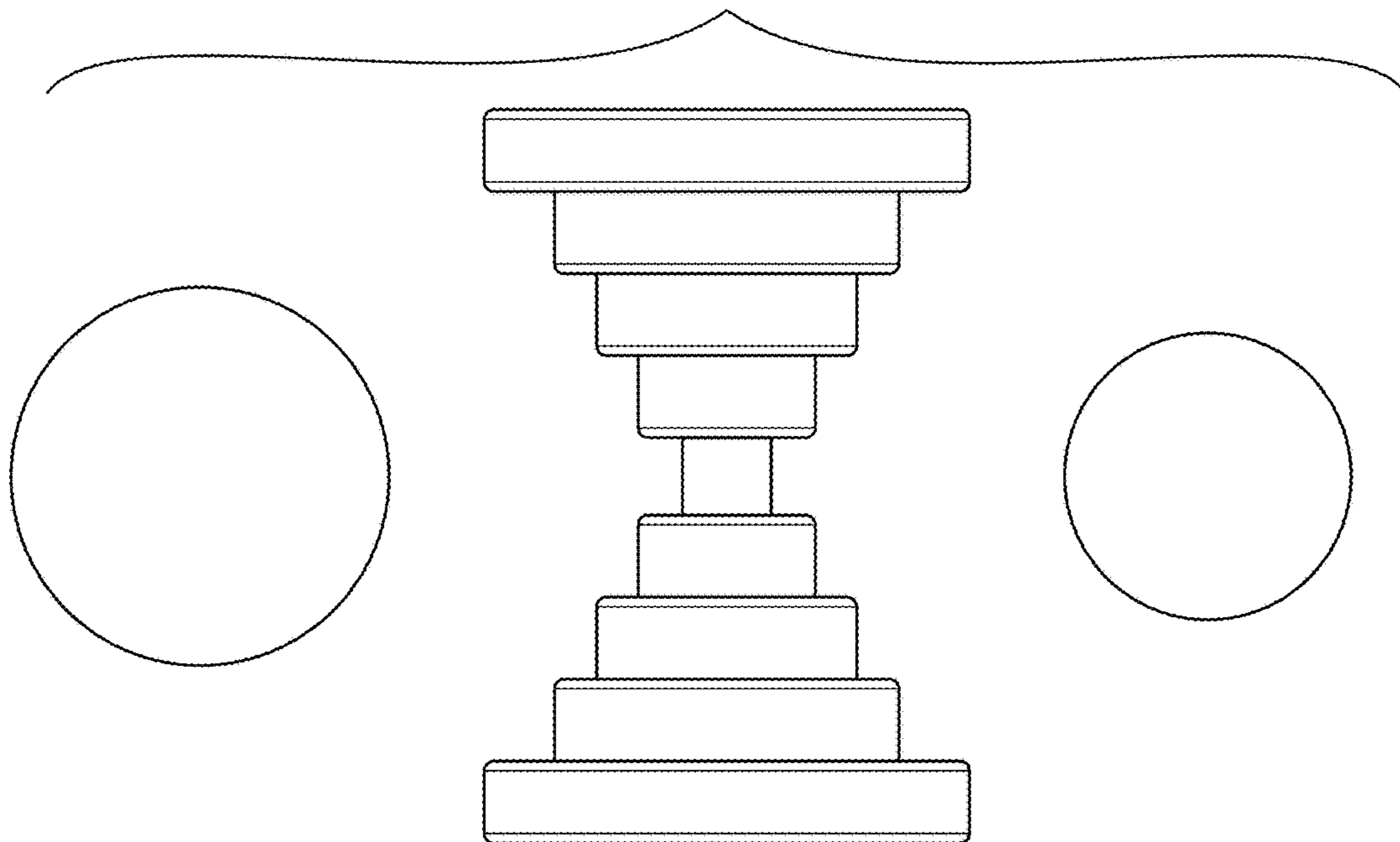


FIG. 8

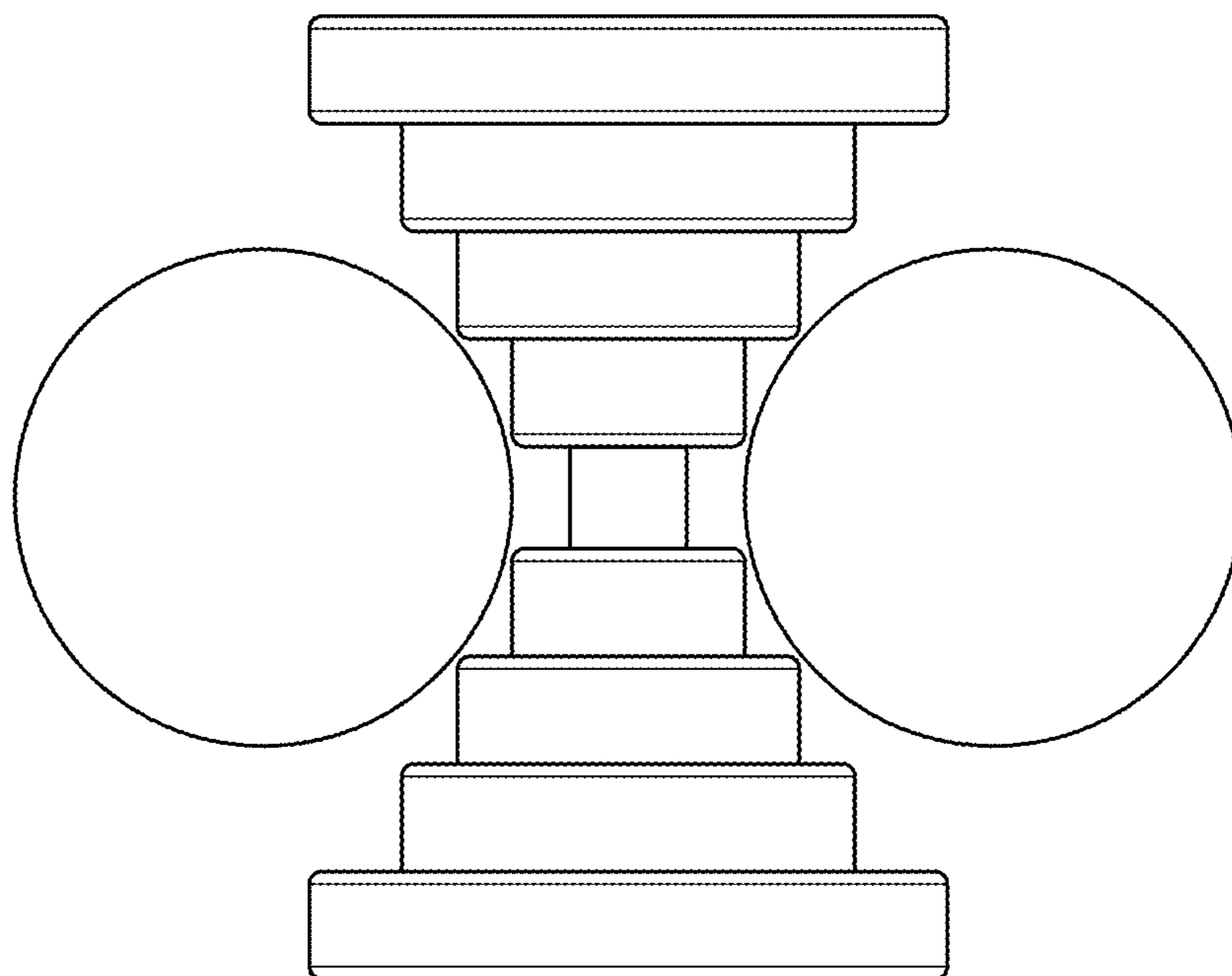


FIG. 9

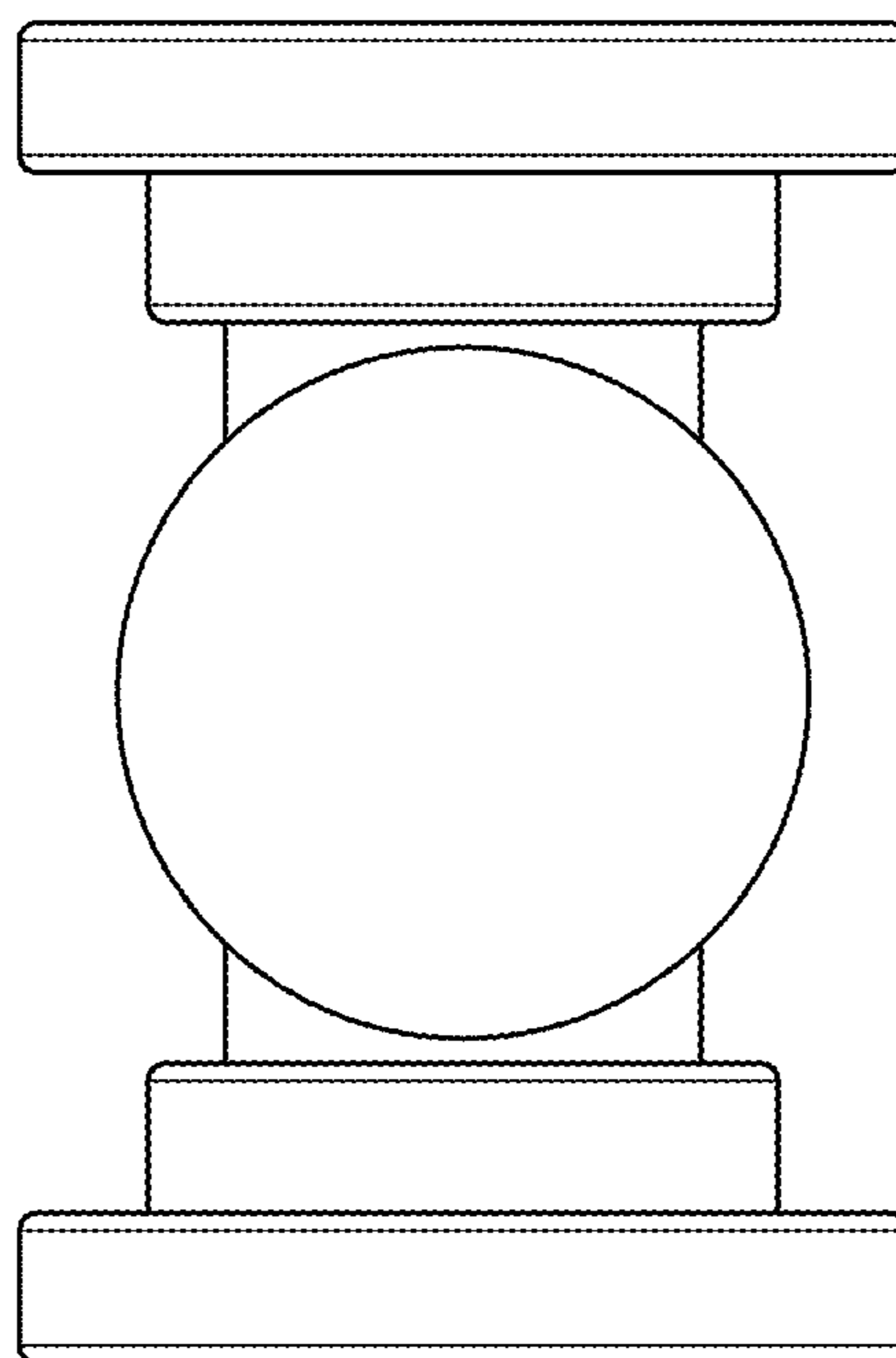


FIG. 10

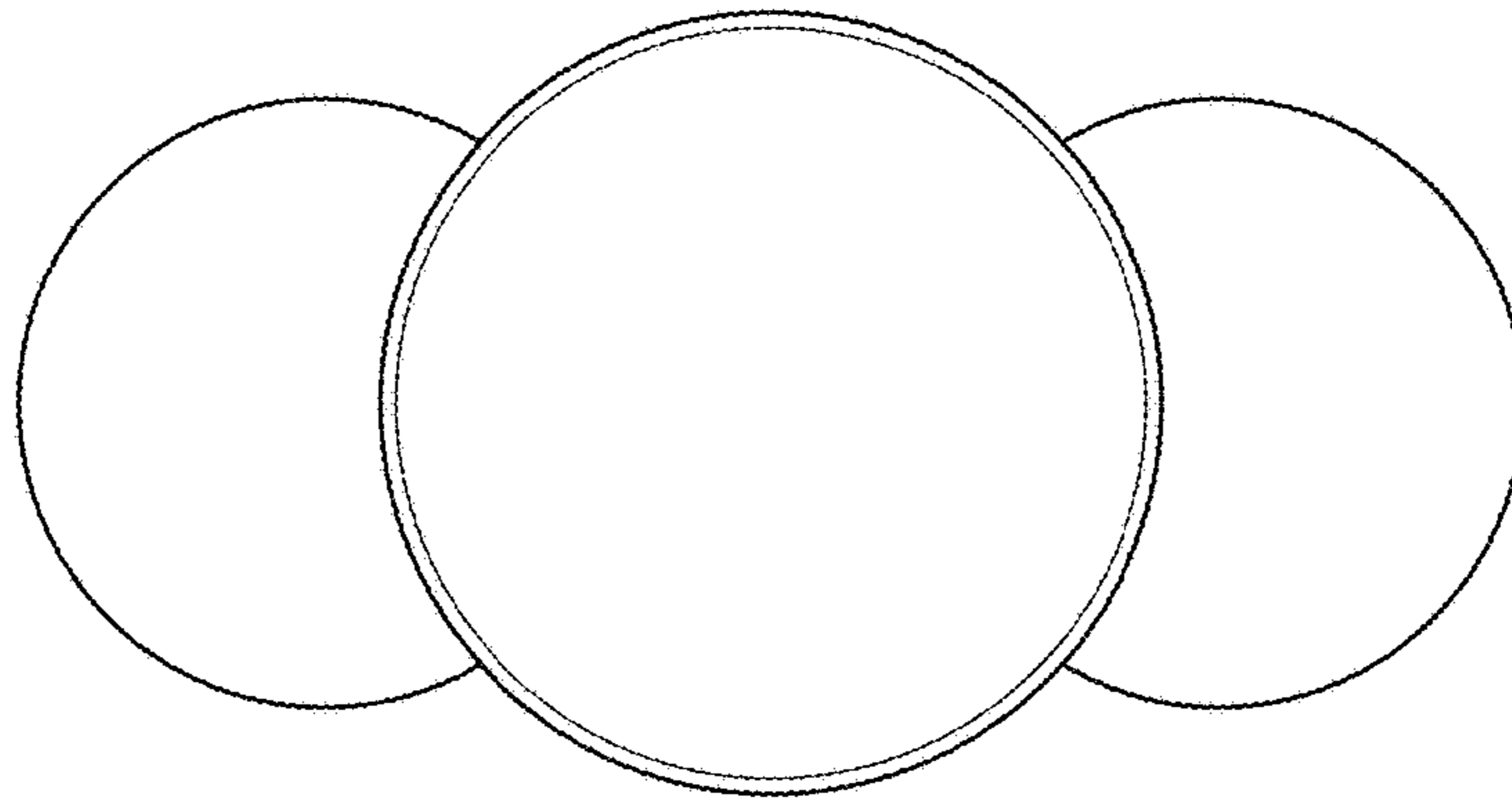


FIG. 11

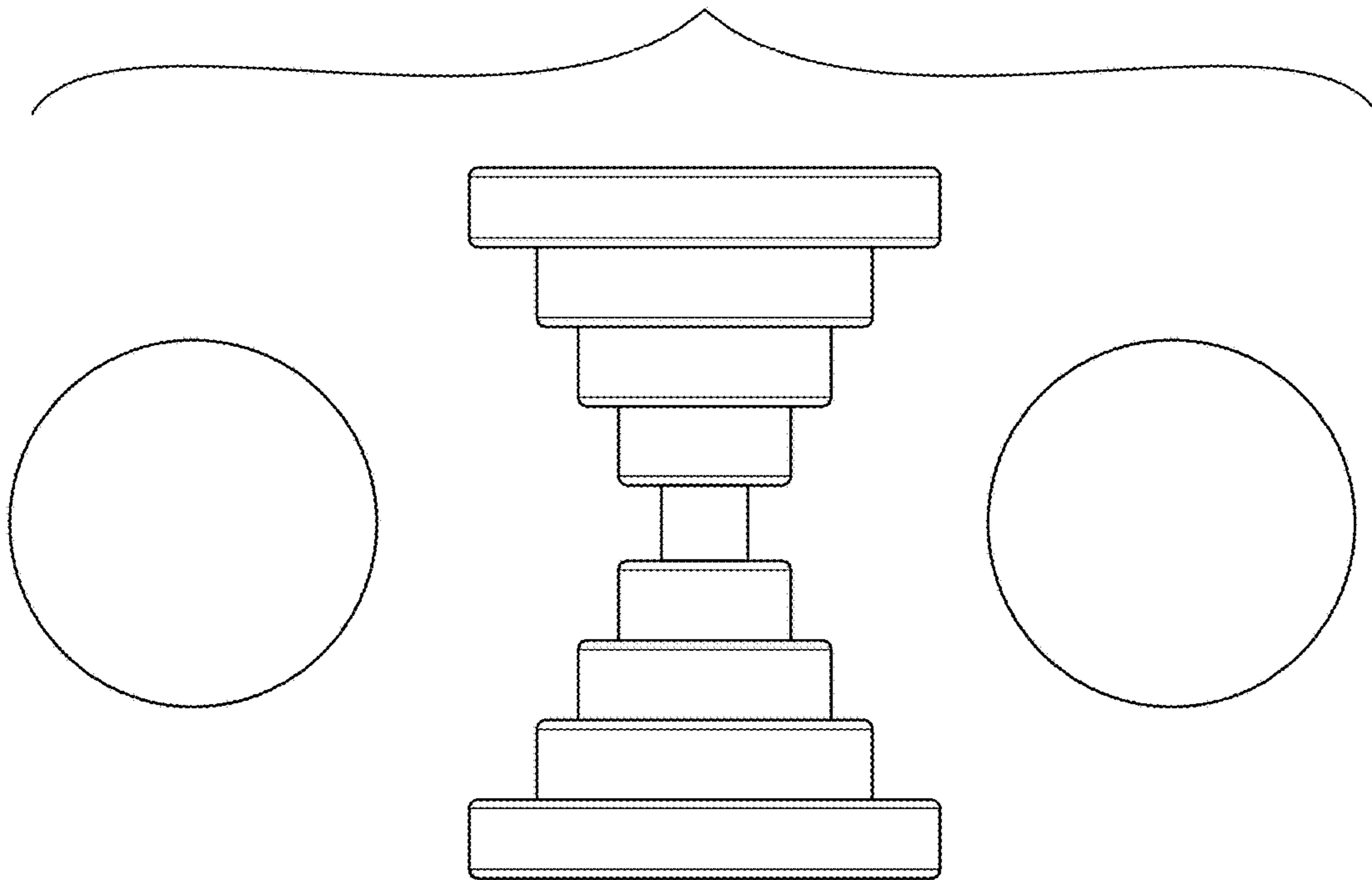


FIG. 12