



US00D819139S

(12) **United States Design Patent**
McNair

(10) **Patent No.:** **US D819,139 S**

(45) **Date of Patent:** **** May 29, 2018**

(54) **INDICATING DEVICE FOR A GAME OF DARTS**

(71) Applicant: **Darts Peg Wheel Pty Ltd**, Ferntree Gully (AU)

(72) Inventor: **Ben McNair**, Ferntree Gully (AU)

(**) Term: **15 Years**

(21) Appl. No.: **29/543,427**

(22) Filed: **Oct. 23, 2015**

(30) **Foreign Application Priority Data**

Apr. 24, 2015 (AU) 201512160

(51) **LOC (11) Cl.** **21-01**

(52) **U.S. Cl.**
USPC **D21/308**

(58) **Field of Classification Search**
USPC D21/307, 354, 308; 273/236–239,
273/268–271, 280–283, 317, 348.1, 348,
273/407, 408, 287, 373
CPC F41J 13/02; F41J 3/0038; F41J 3/0071;
A63F 9/02; A63F 2009/0221; A63F
3/0005; A63F 9/0208

See application file for complete search history.

(56) **References Cited**

U.S. PATENT DOCUMENTS

3,891,214 A * 6/1975 Scullin F41J 3/0085
156/86
5,540,446 A * 7/1996 Felsen F41J 3/00
273/403
5,975,530 A * 11/1999 Gary F41J 3/0076
273/317.2
6,336,634 B1 * 1/2002 Stott A63F 3/00176
273/243

7,992,874 B1 * 8/2011 Davidson F41J 3/00
273/408
D713,888 S * 9/2014 Steele D21/308
D781,380 S * 3/2017 Kim D21/308
2001/0035614 A1 * 11/2001 Chang F41J 3/0066
273/373
2002/0180150 A1 * 12/2002 Weisman A63F 3/00697
273/236
2005/0093242 A1 * 5/2005 Lai F41J 5/052
273/408
2007/0001400 A1 * 1/2007 Stewart F41J 3/0066
273/348
2013/0292906 A1 * 11/2013 Chen F41J 3/0066
273/408
2015/0021855 A1 * 1/2015 Bierly A63F 3/00261
273/280
2015/0196837 A1 * 7/2015 Stromberg A63F 3/00694
273/239

* cited by examiner

Primary Examiner — Cynthia Ramirez
Assistant Examiner — Michael A Maharajh

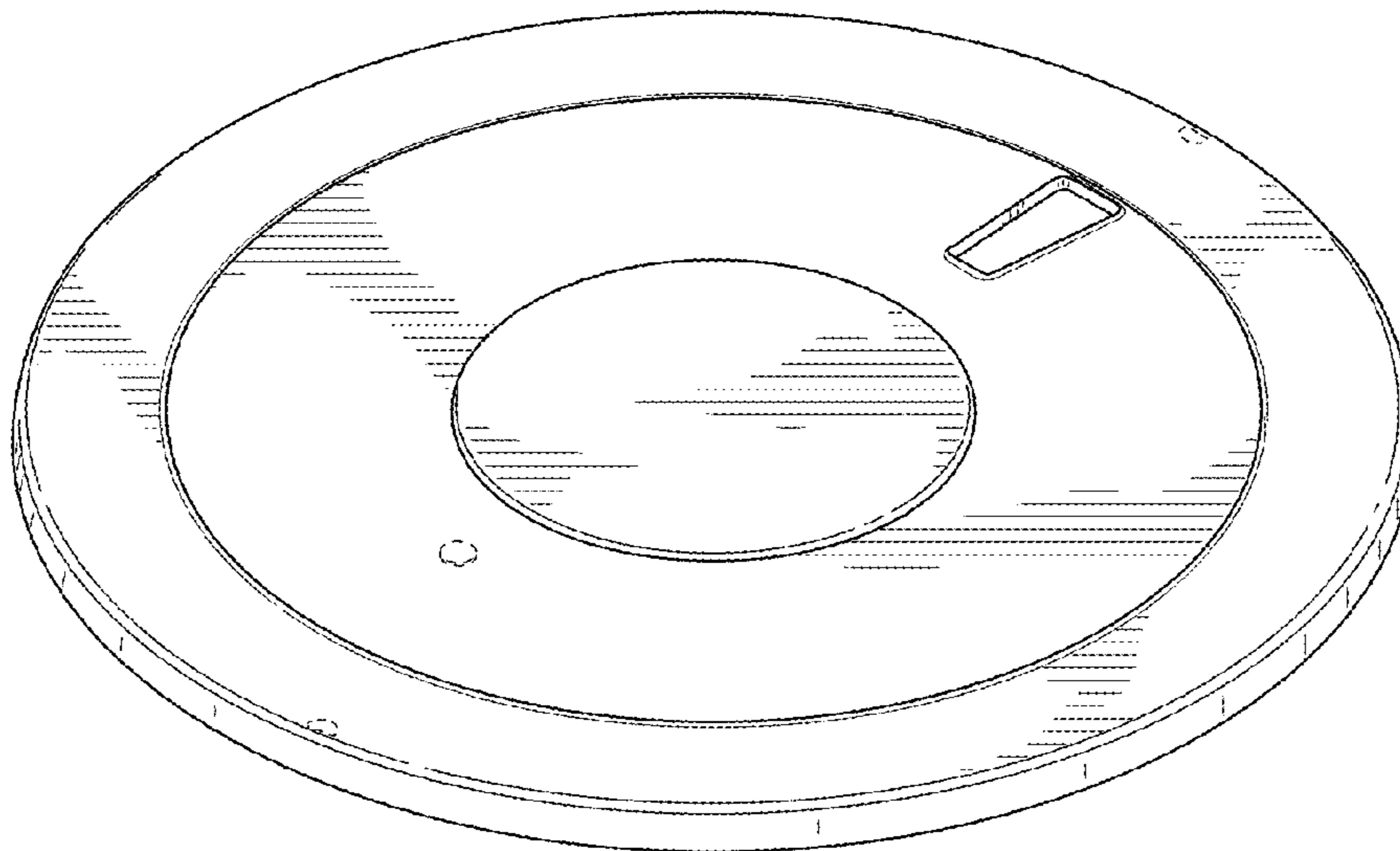
(57) **CLAIM**

The ornamental design for an indicating device for a game of darts, as shown and described.

DESCRIPTION

FIG. 1 is a front perspective view from above an indicating device for a game of darts showing my new design;
FIG. 2 is a front view thereof;
FIG. 3 is a rear view thereof;
FIG. 4 is left side view thereof;
FIG. 5 is a right side view thereof;
FIG. 6 is a top view thereof; and,
FIG. 7 is a bottom view thereof.
The broken lines shown in the figures are for the purpose of illustrating portions of the indicating device for a game of darts which form no part of the claimed design.

1 Claim, 5 Drawing Sheets



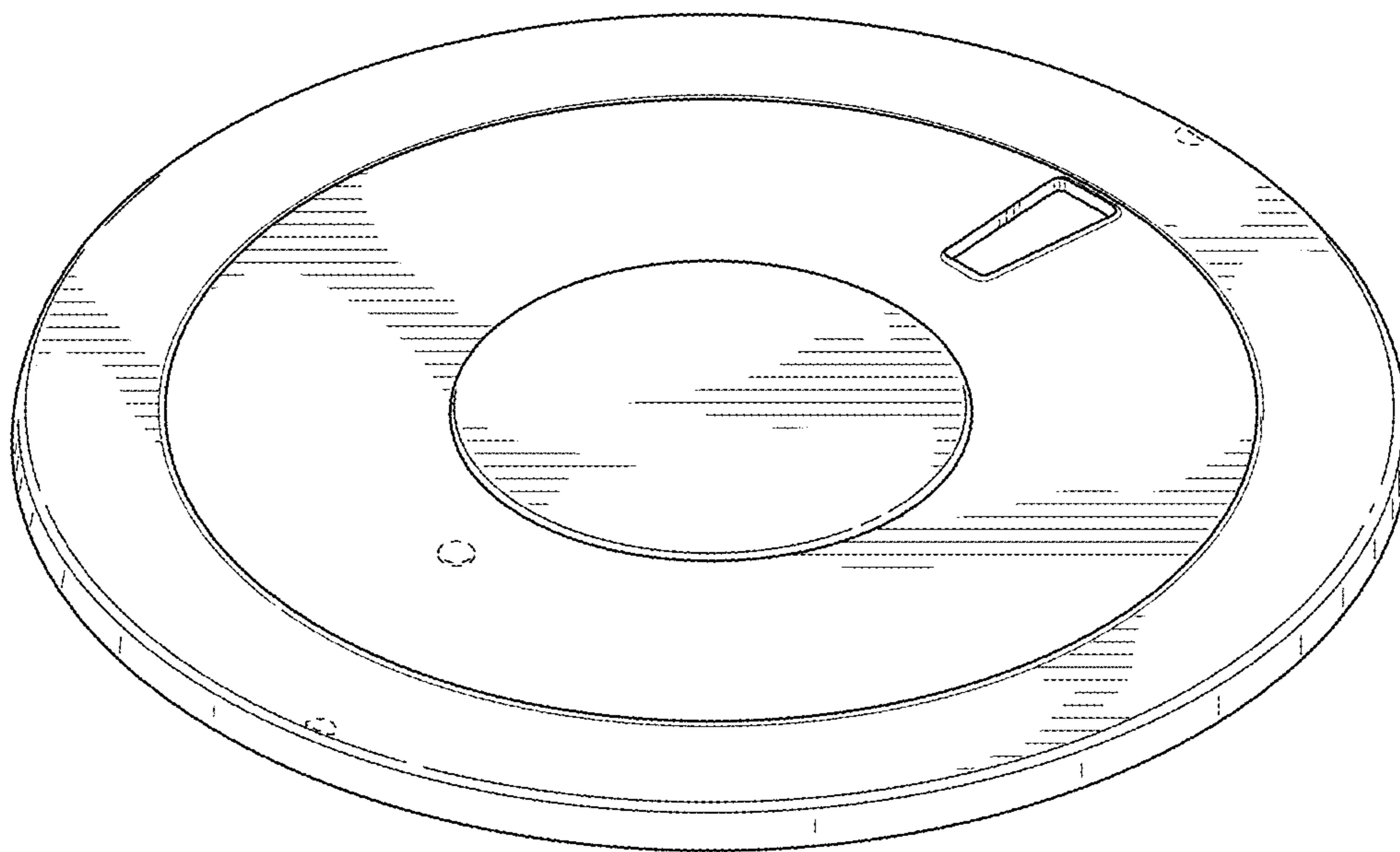


FIG. 1

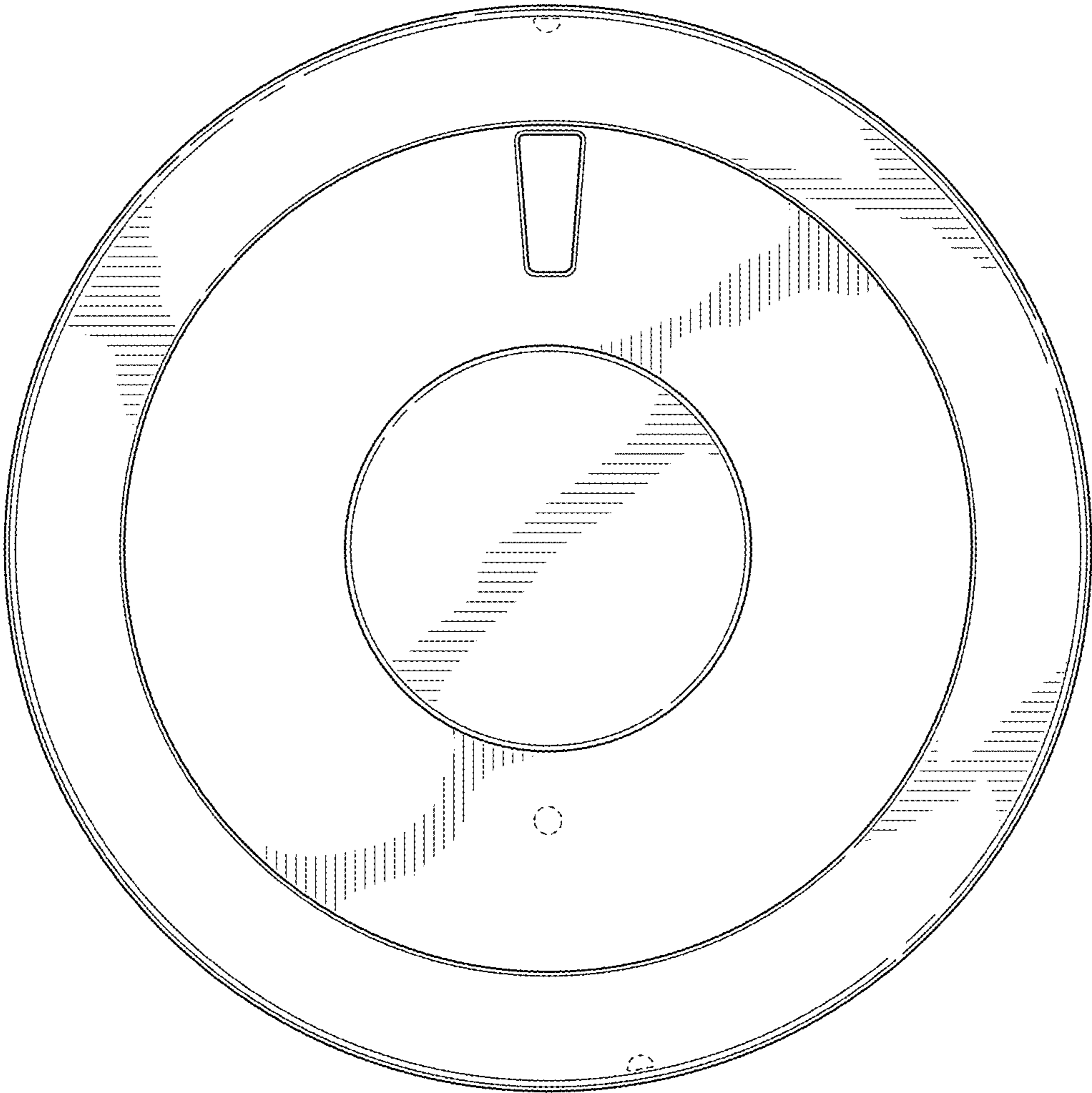


FIG. 2

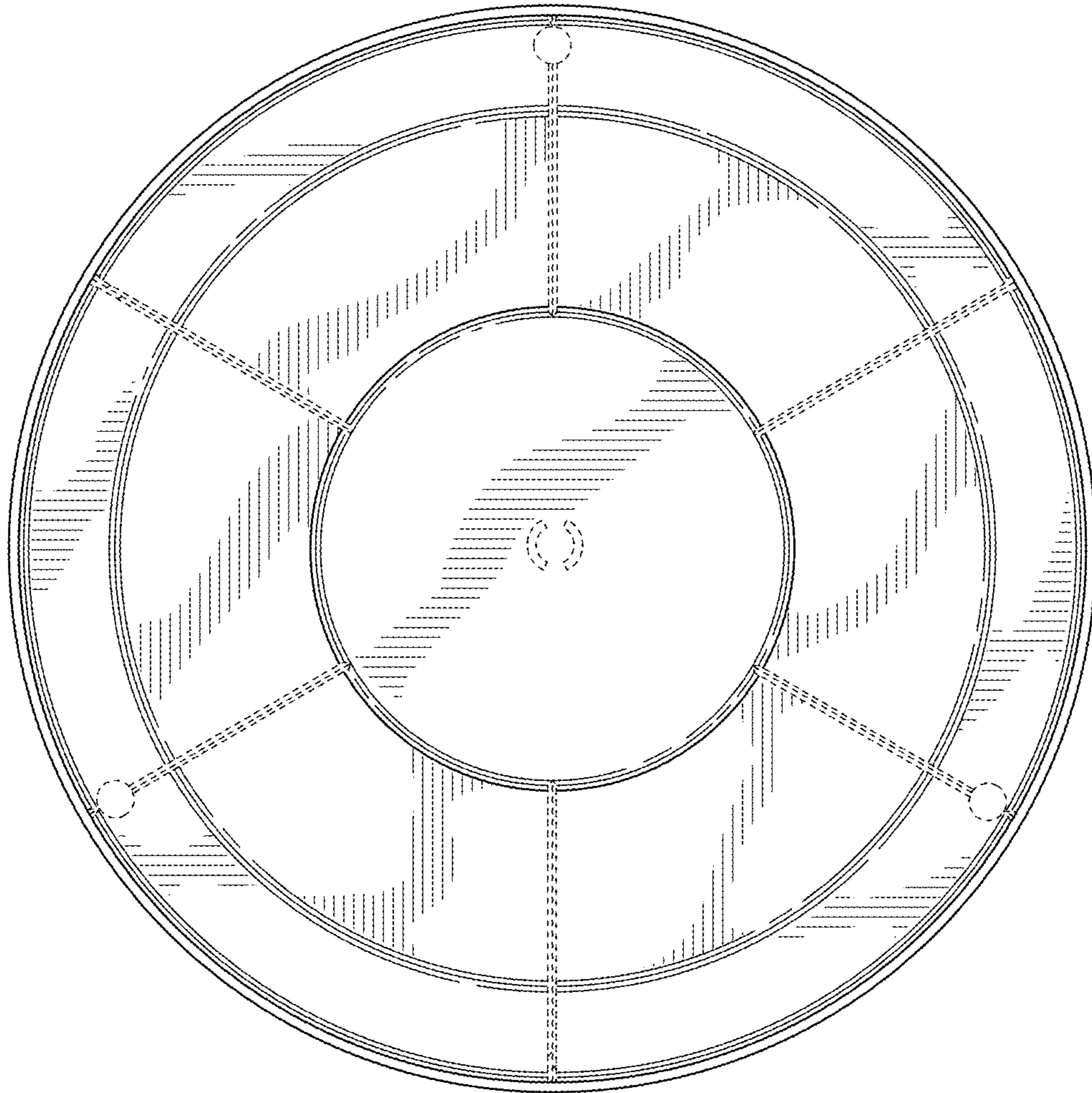


FIG. 3



FIG. 4



FIG. 5

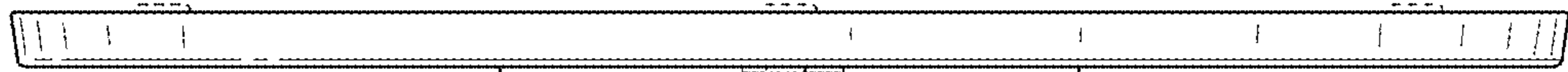


FIG. 6

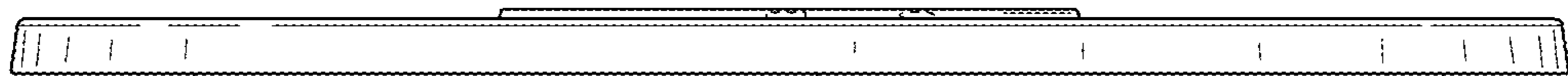


FIG. 7