



US00D819138S

(12) **United States Design Patent** (10) **Patent No.:** **US D819,138 S**
McPhillips (45) **Date of Patent:** **** May 29, 2018**

(54) **GEODESIC DISPLAY CONNECTOR**

Primary Examiner — Prabhakar G Deshmukh
(74) *Attorney, Agent, or Firm* — Barley Snyder

(71) Applicant: **Atomic Design Inc.**, Lititz, PA (US)

(72) Inventor: **Thomas McPhillips**, Manheim, PA (US)

(57) **CLAIM**

The ornamental geodesic display connector design, as shown and described.

(73) Assignee: **Atomic Design Inc.**, Lititz, PA (US)

(**) Term: **15 Years**

DESCRIPTION

(21) Appl. No.: **29/575,622**

(22) Filed: **Aug. 26, 2016**

(51) **LOC (11) Cl.** **21-01**

(52) **U.S. Cl.**
USPC **D21/300**

(58) **Field of Classification Search**

USPC D21/300, 310, 311, 322, 338, 478–480,
D21/463, 488, 498, 811; 273/138.3,
273/138.4, 138.5, 148 R, 156, 440, 459;
472/62, 57, 66, 75
CPC . E04B 1/32; E04B 1/3223; E04B 7/08; E04B
7/10

See application file for complete search history.

FIG. 1 is a top, front, left side perspective view of a geodesic display connector, showing the new design;
FIG. 2 is a front elevation view thereof;
FIG. 3 is a left side elevation view thereof;
FIG. 4 is a right side elevation view thereof;
FIG. 5 is a top plan view thereof;
FIG. 6 is a bottom plan view thereof;
FIG. 7 is a rear elevation view thereof;
FIG. 8 is a bottom, front, left side perspective view thereof;
FIG. 9 is a top, front, left side perspective view of a second embodiment of a geodesic display connector, showing the new design;
FIG. 10 is a front elevation view of the geodesic display connector in FIG. 9;
FIG. 11 is a left side elevation view of the geodesic display connector in FIG. 9;
FIG. 12 is a right side elevation view of the geodesic display connector in FIG. 9;
FIG. 13 is a top plan view of the geodesic display connector in FIG. 9;
FIG. 14 is a bottom plan view of the geodesic display connector in FIG. 9;
FIG. 15 is a rear elevation view of the geodesic display connector in FIG. 9; and,
FIG. 16 is a bottom, front, left side perspective view of the geodesic display connector in FIG. 9.
The broken lines shown in the drawings are included for the purpose of illustrating environmental structure and form no part of the claimed design.

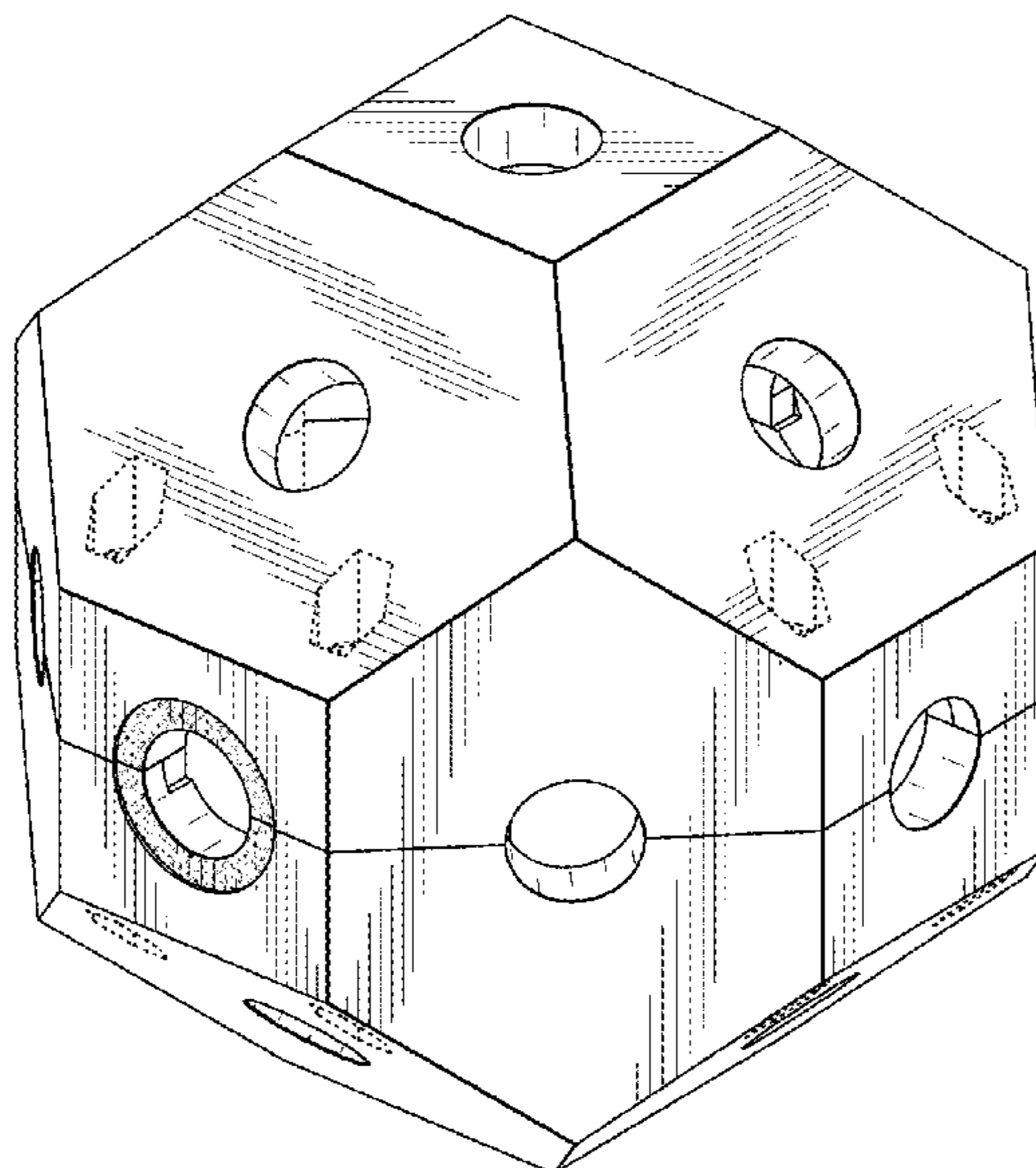
(56) **References Cited**

U.S. PATENT DOCUMENTS

3,061,977 A * 11/1962 Schmidt E04B 1/3211
52/81.4
3,197,927 A * 8/1965 Buckminster E04B 1/3211
52/20
3,203,144 A * 8/1965 Buckminster E04B 1/3211
52/537
5,964,639 A * 10/1999 Maxim A63B 43/00
434/302
6,260,212 B1 * 7/2001 Orotelli A42B 3/06
2/410
7,389,612 B1 * 6/2008 Fischbeck E04B 1/3211
52/655.2
D604,370 S * 11/2009 Hume D21/478

(Continued)

1 Claim, 8 Drawing Sheets



(56)

References Cited

U.S. PATENT DOCUMENTS

D662,147 S * 6/2012 McGinnis D21/300
D662,993 S * 7/2012 McGinnis D21/300

* cited by examiner

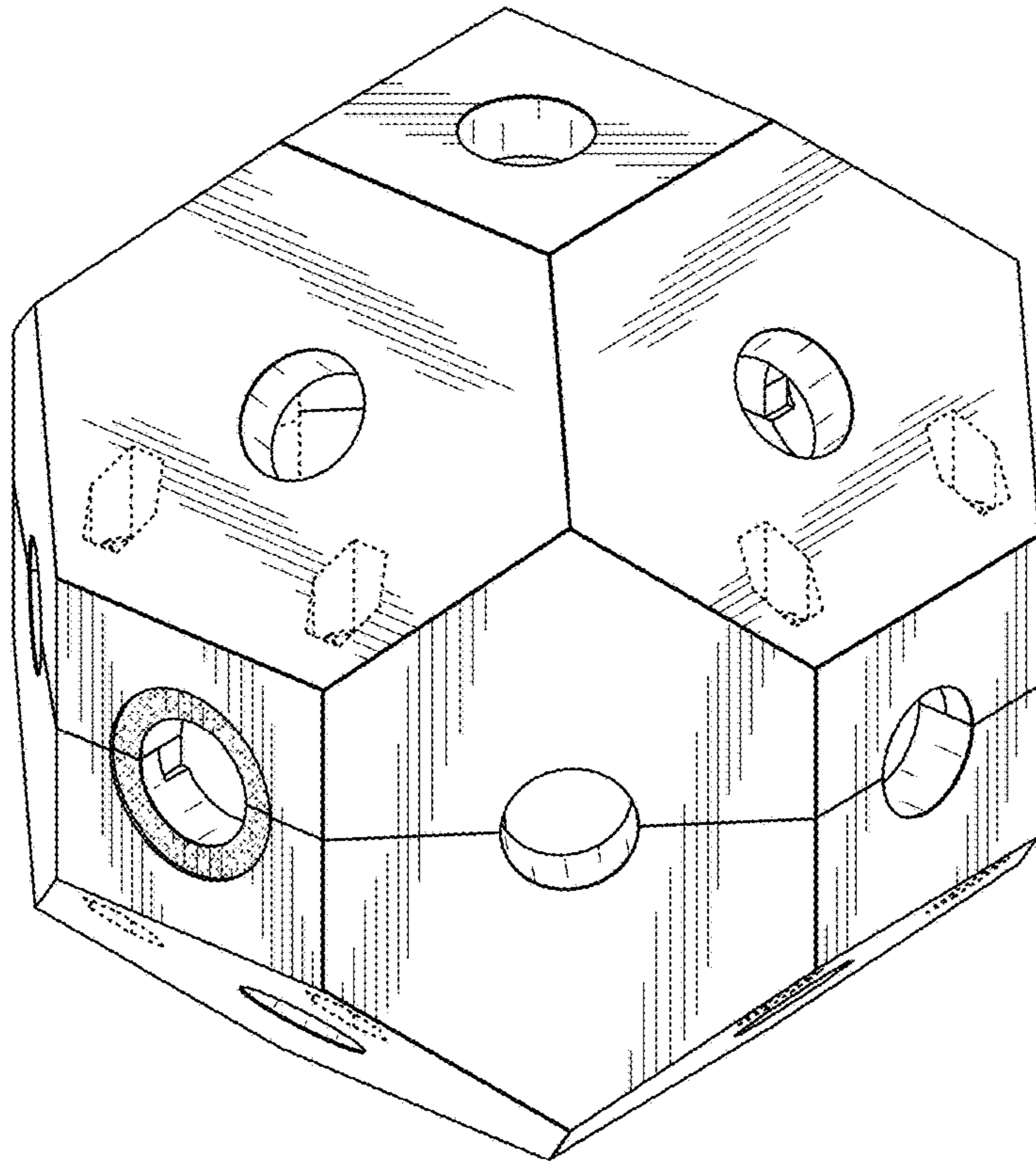


FIG. 1

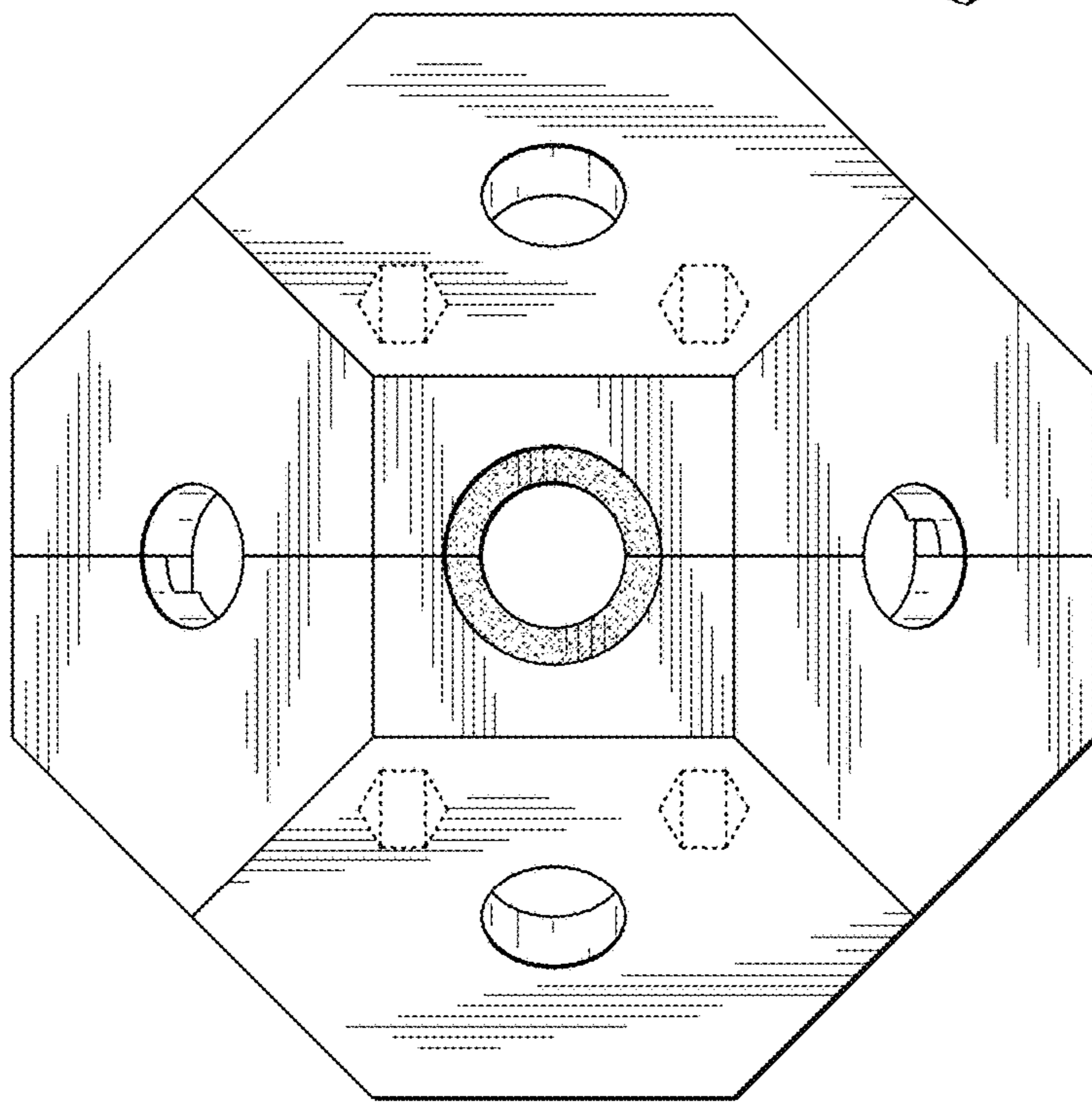


FIG. 2

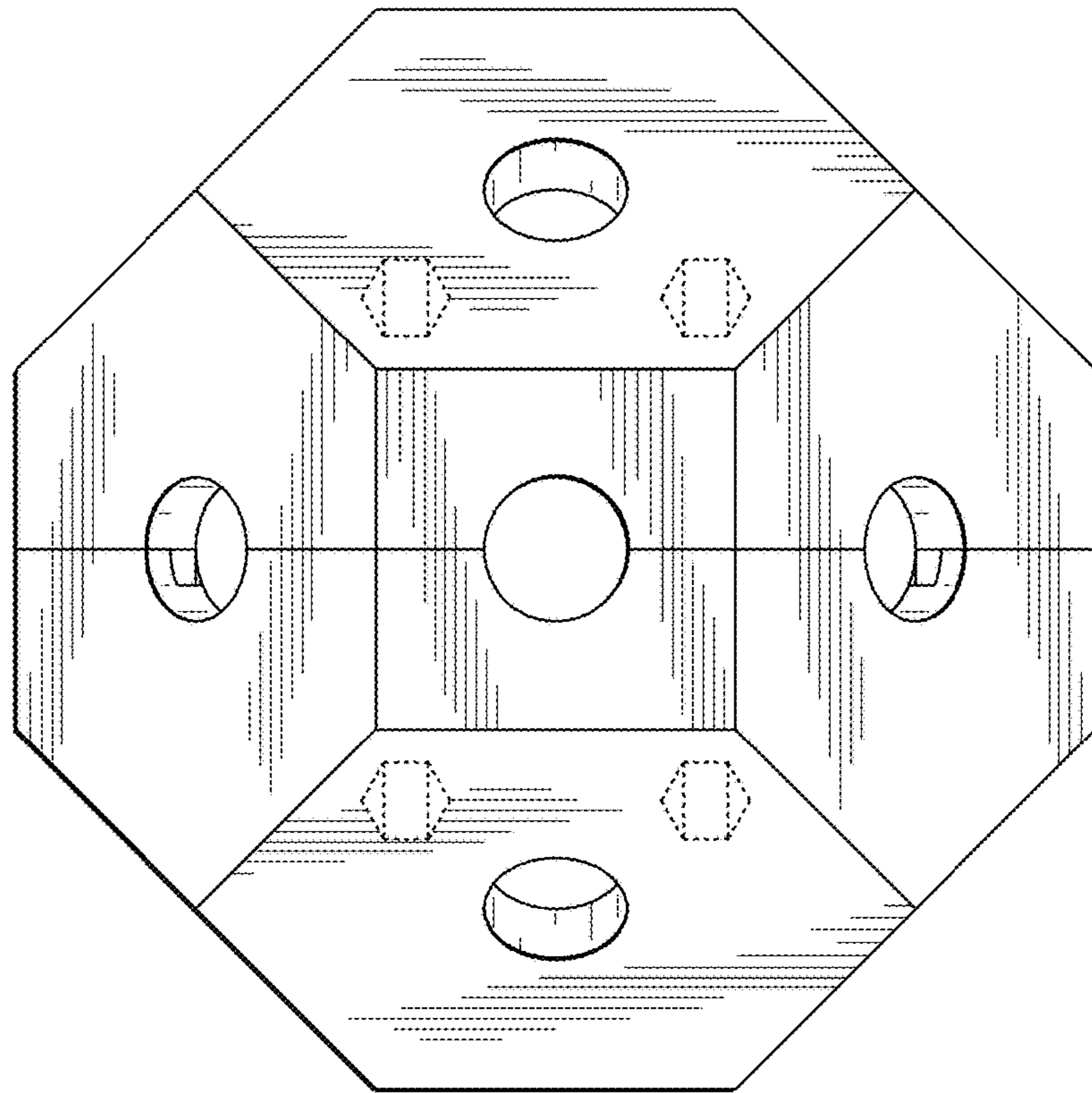


FIG. 3

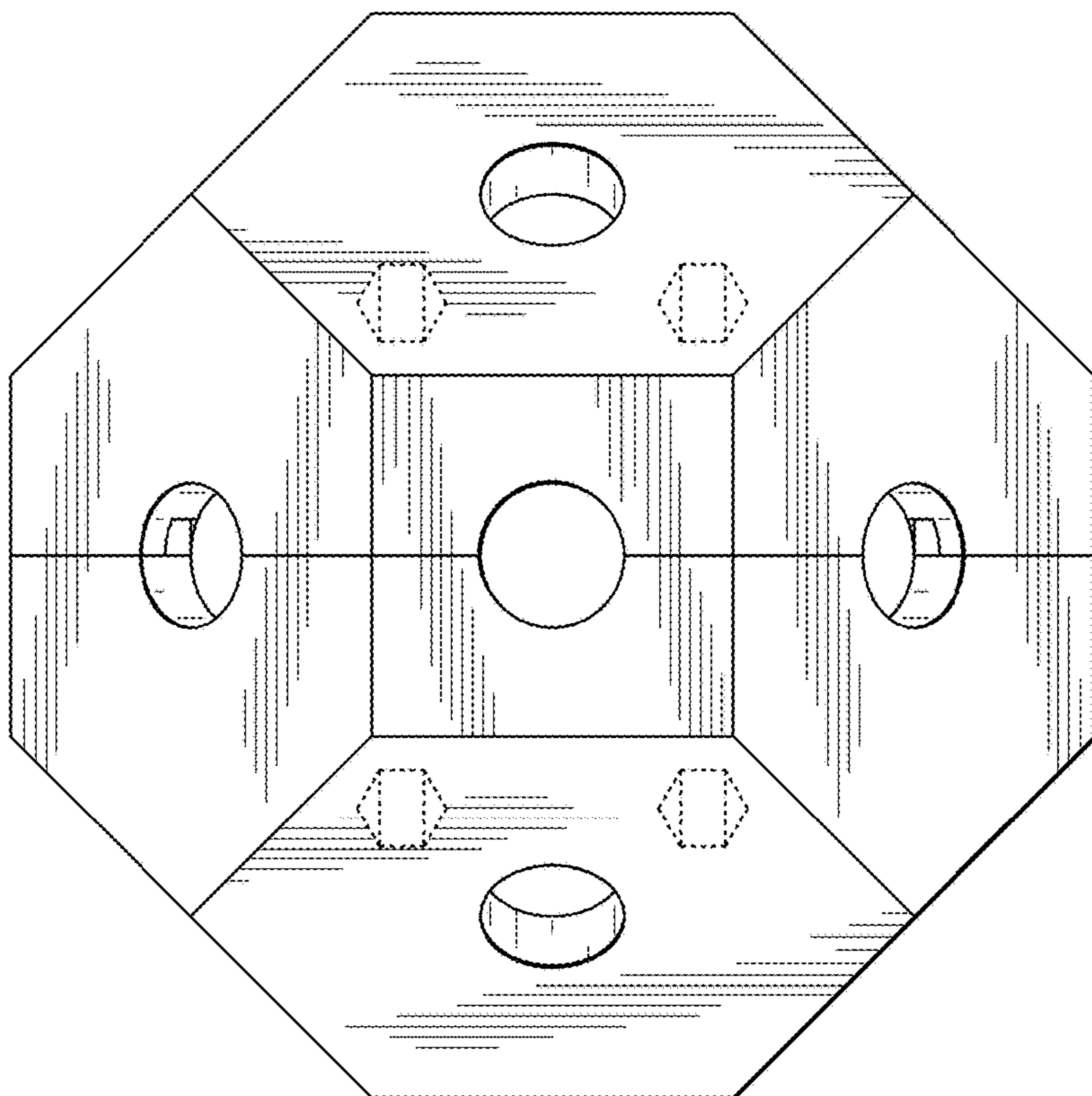


FIG. 4

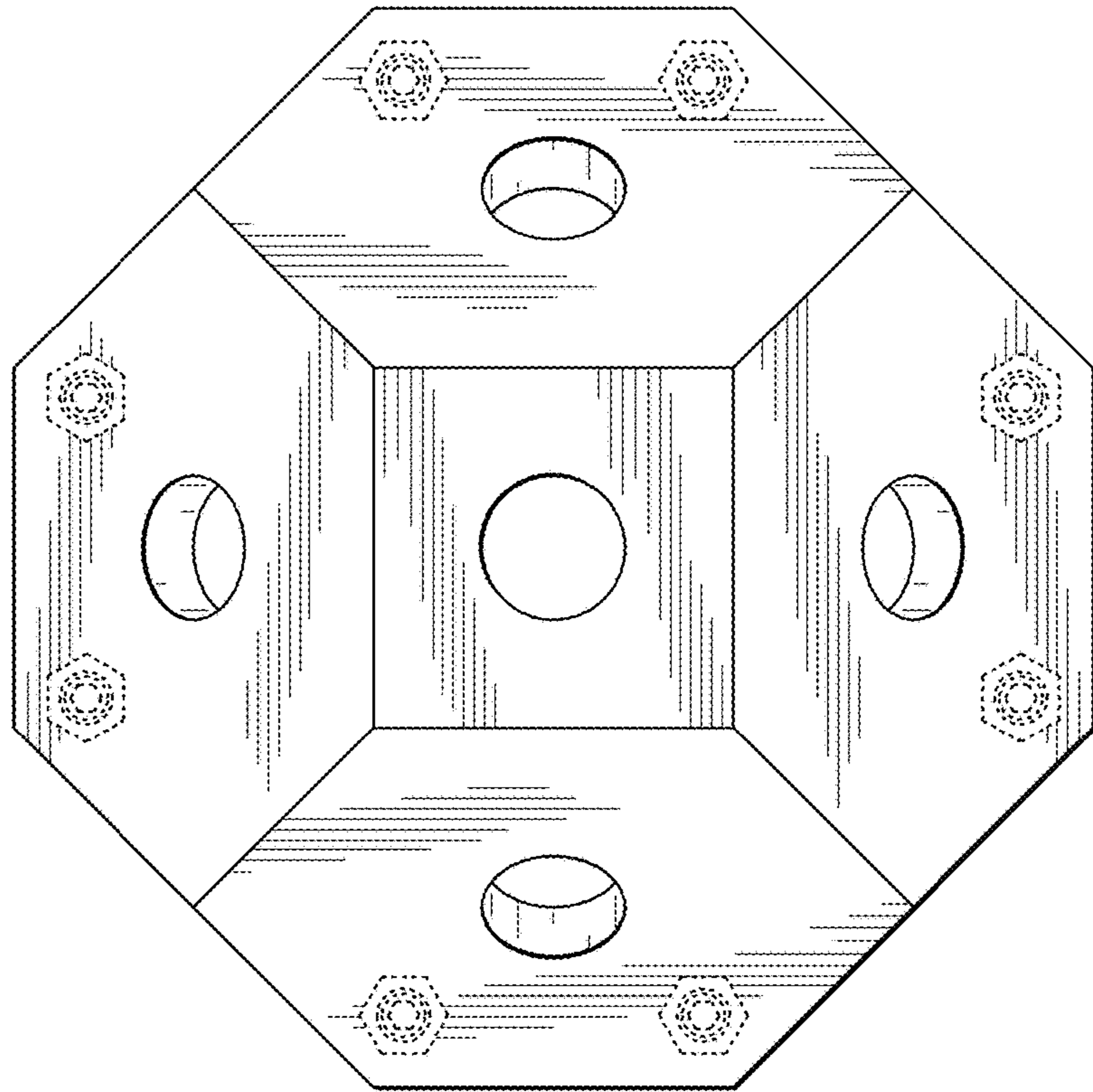


FIG. 5

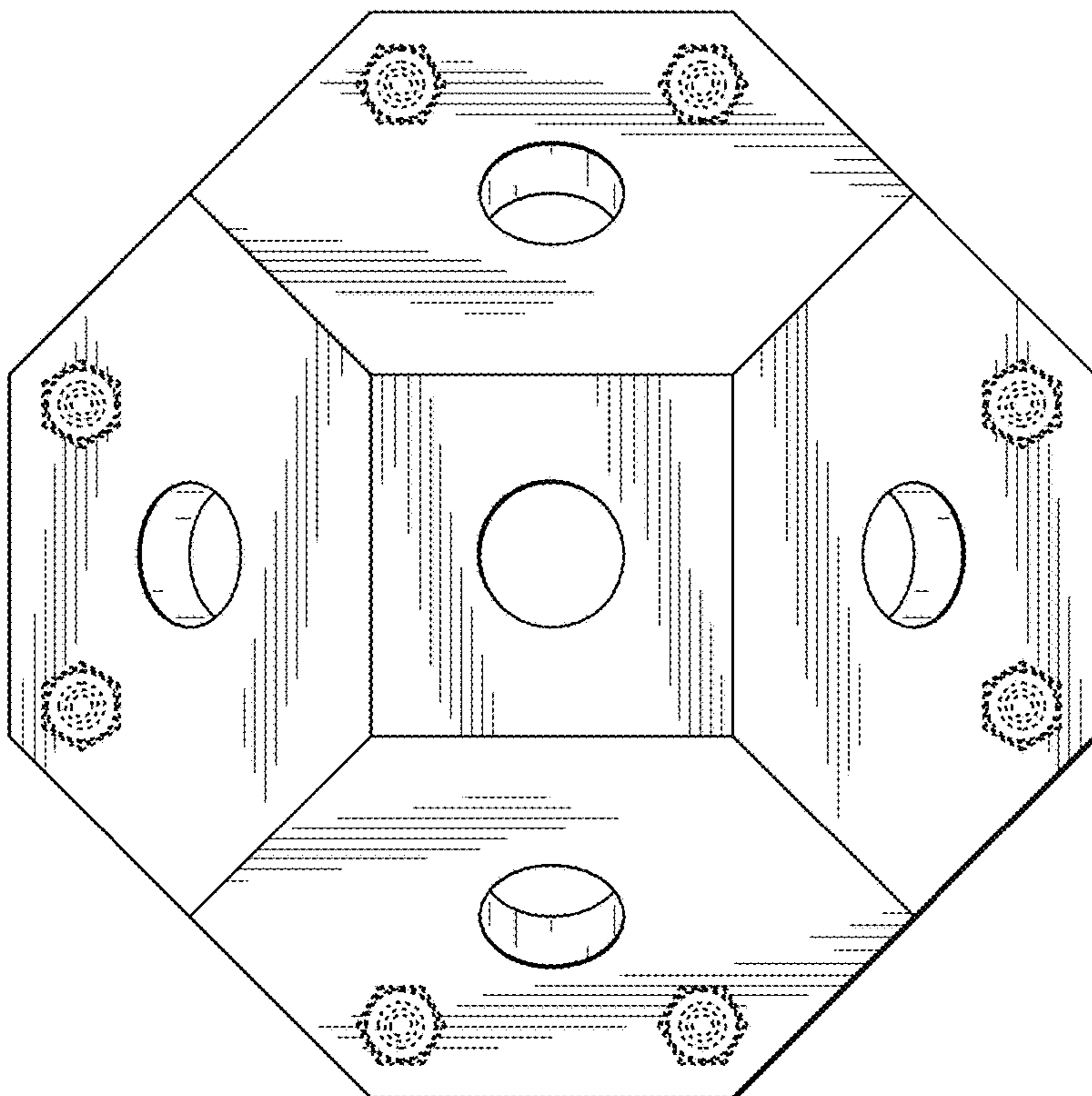


FIG. 6

FIG. 7

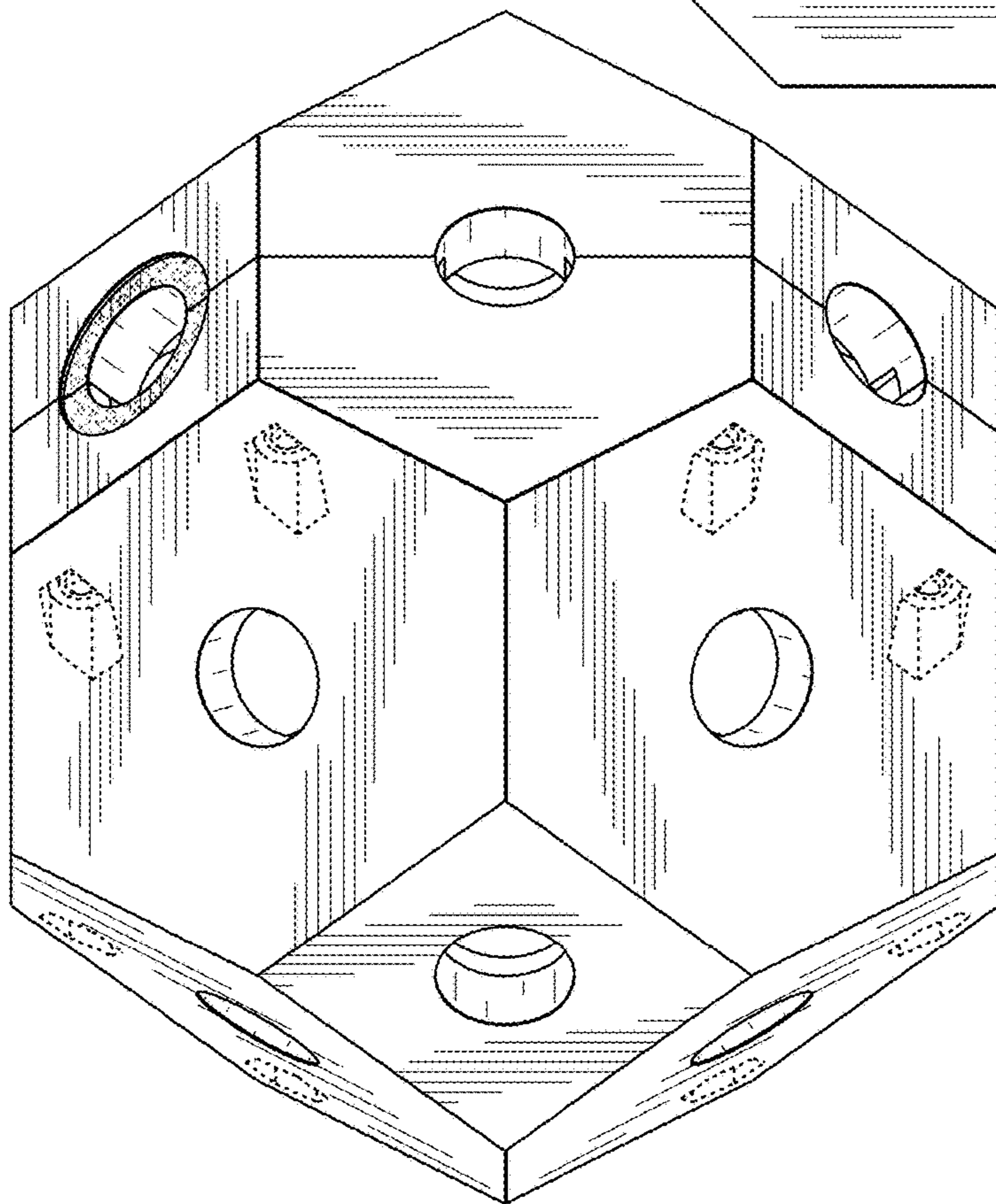
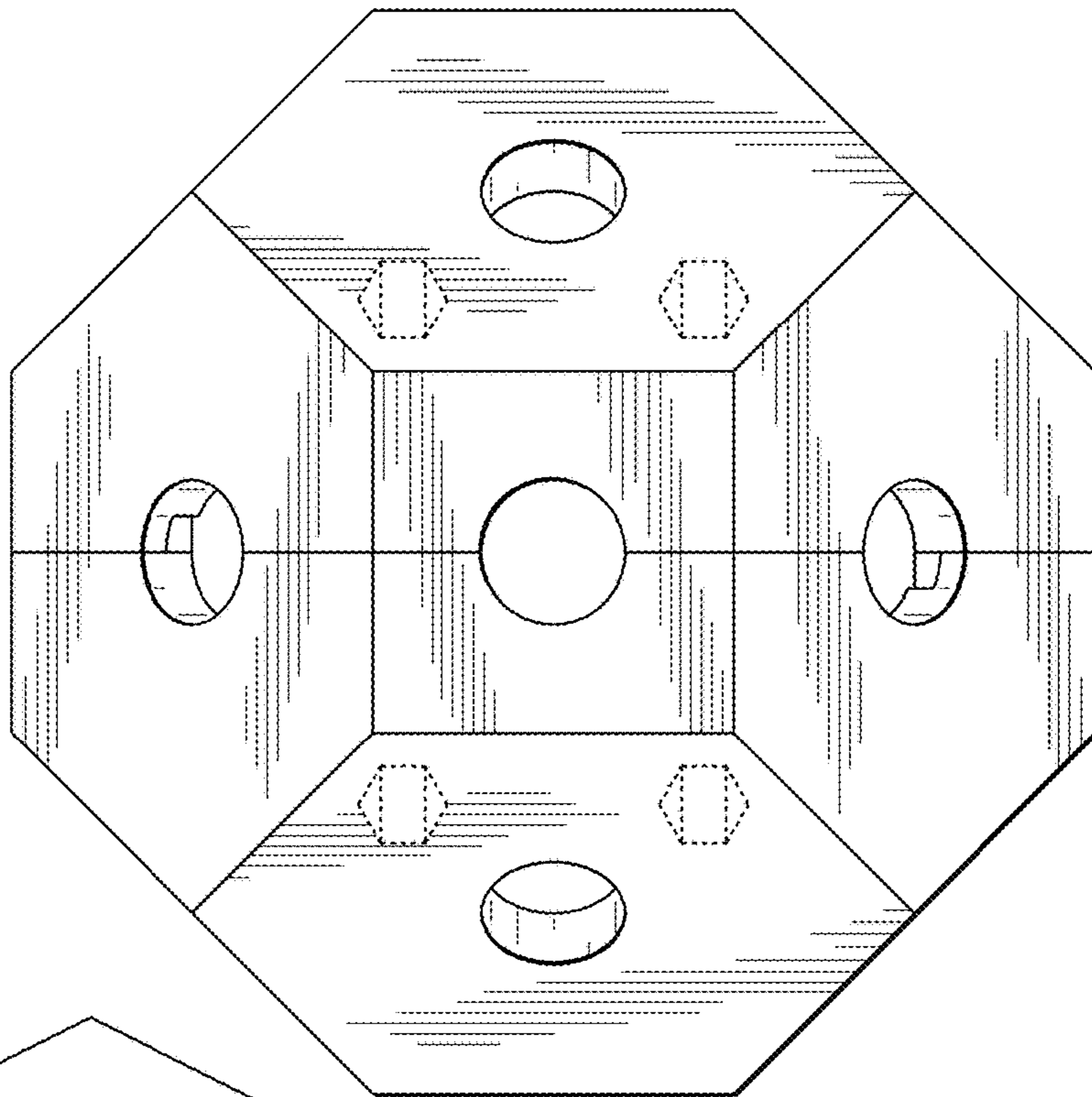


FIG. 8

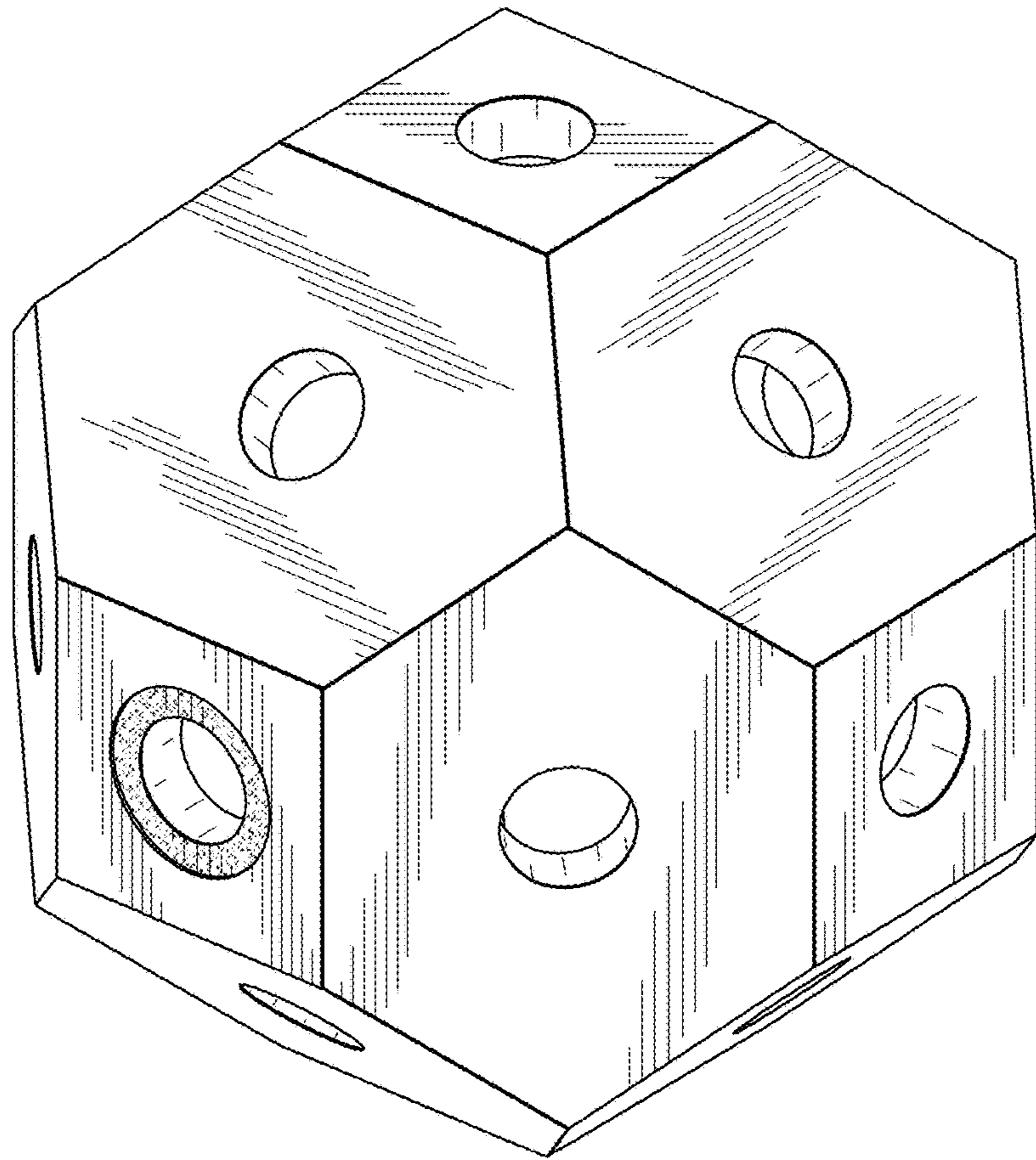


FIG. 9

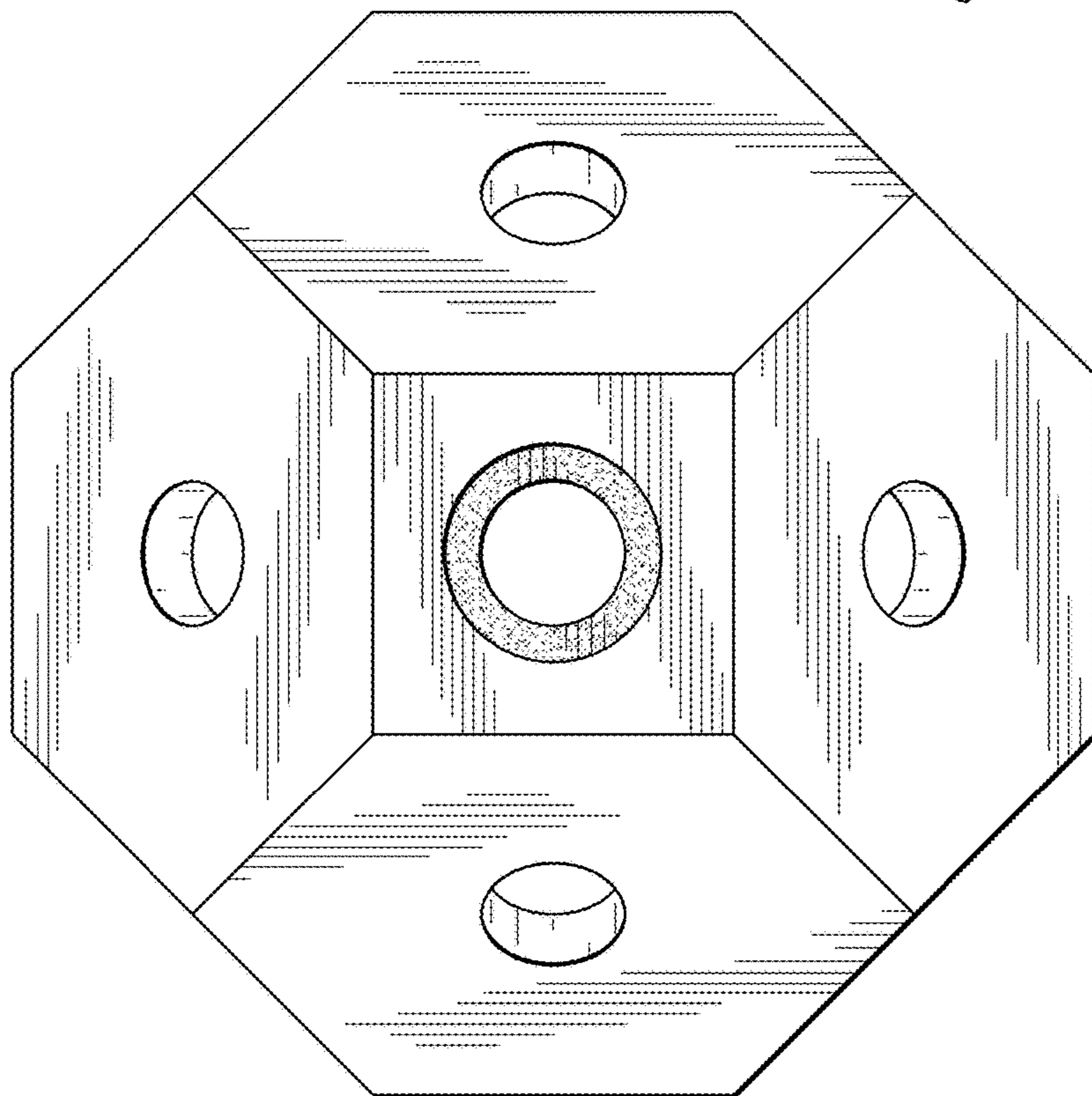


FIG. 10

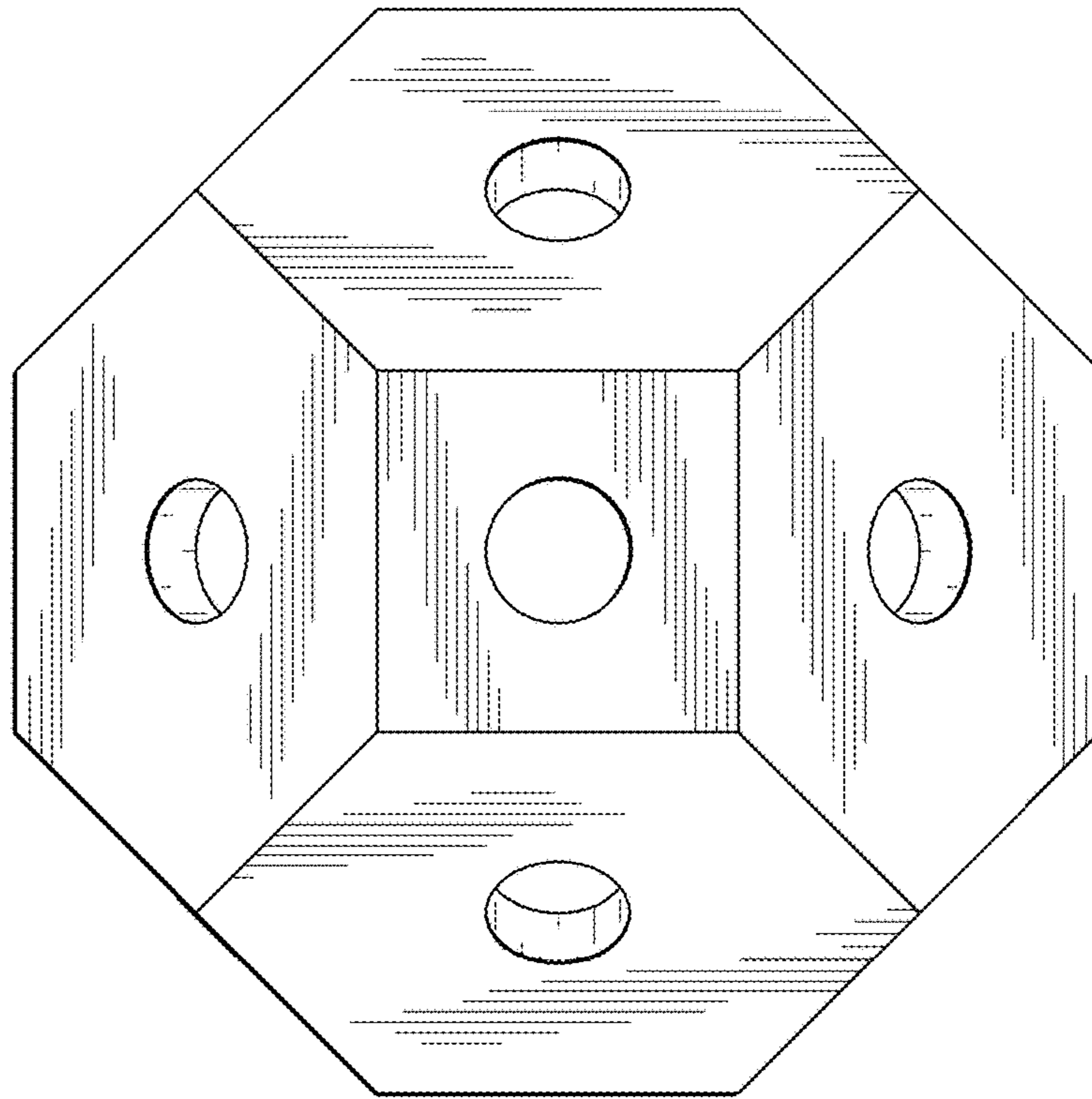


FIG. 11

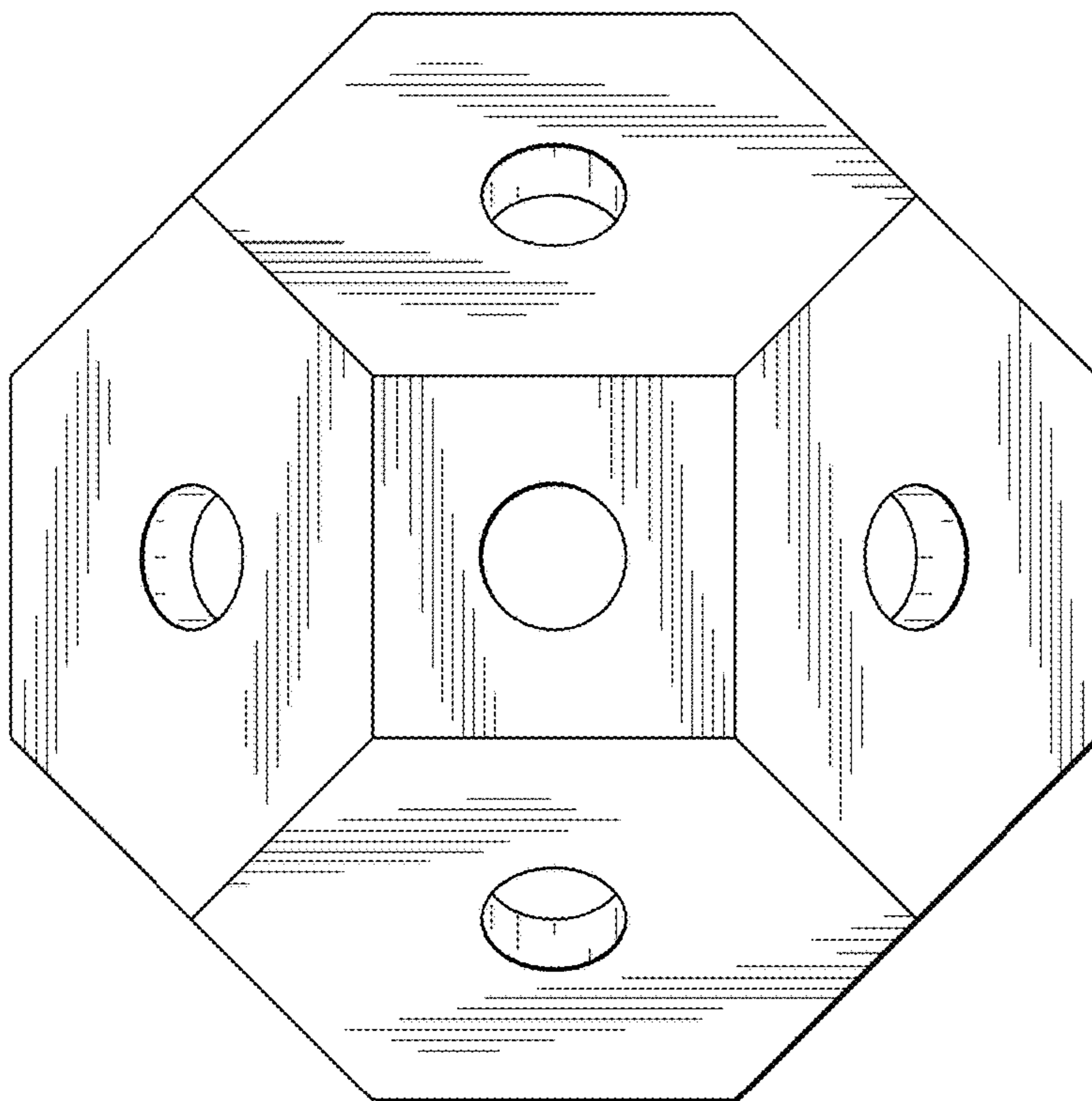


FIG. 12

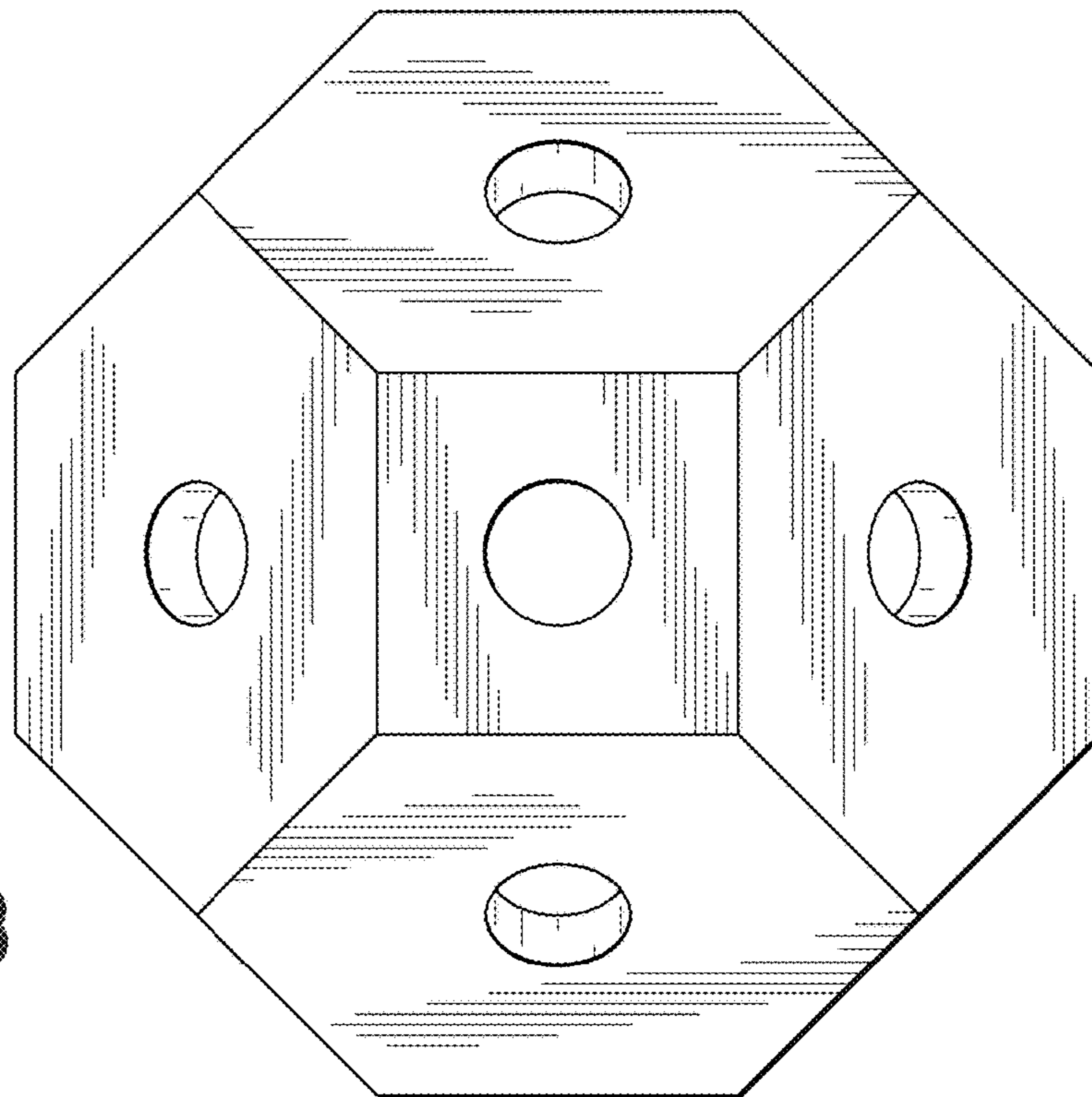


FIG. 13

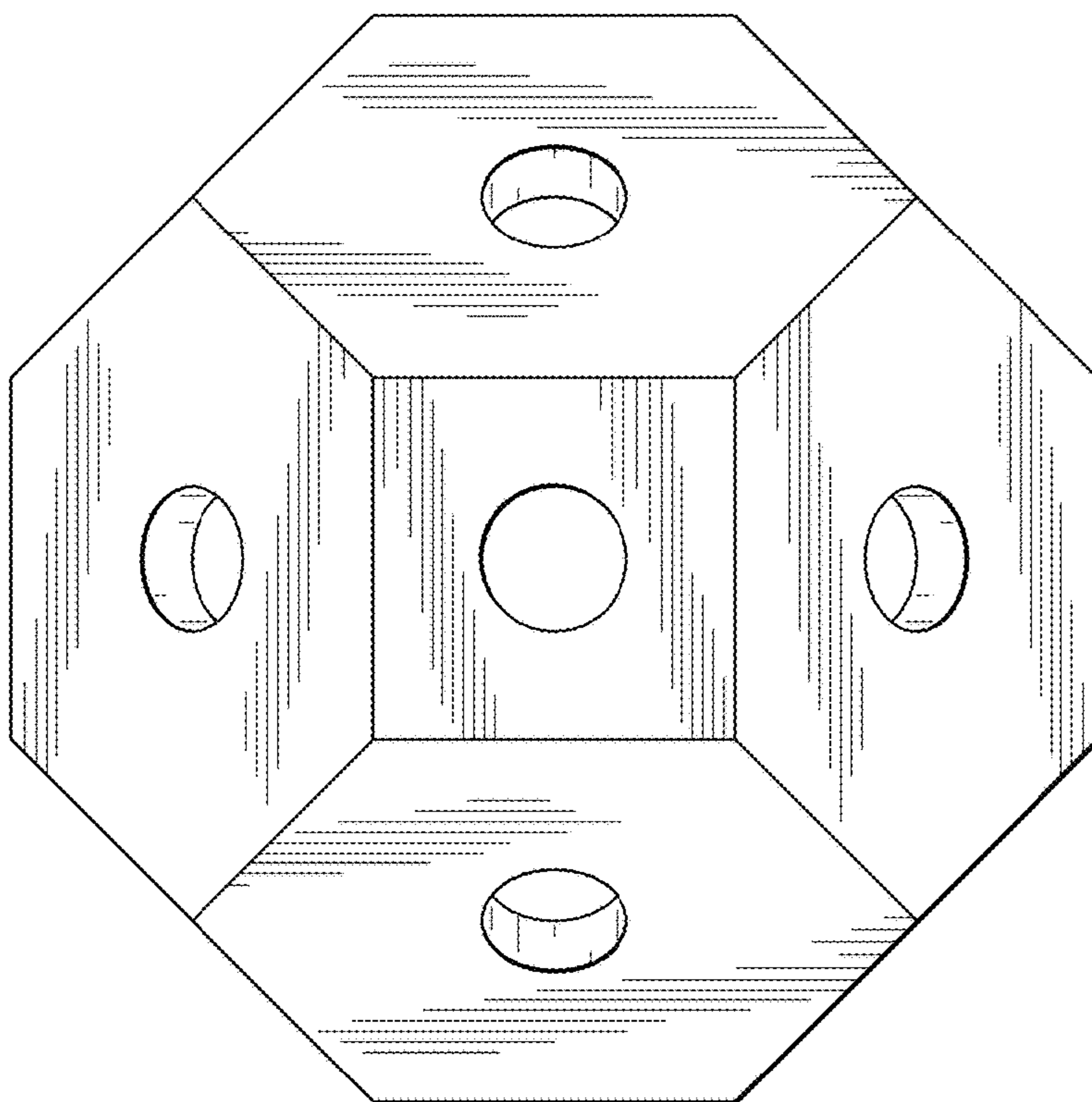


FIG. 14

FIG. 15

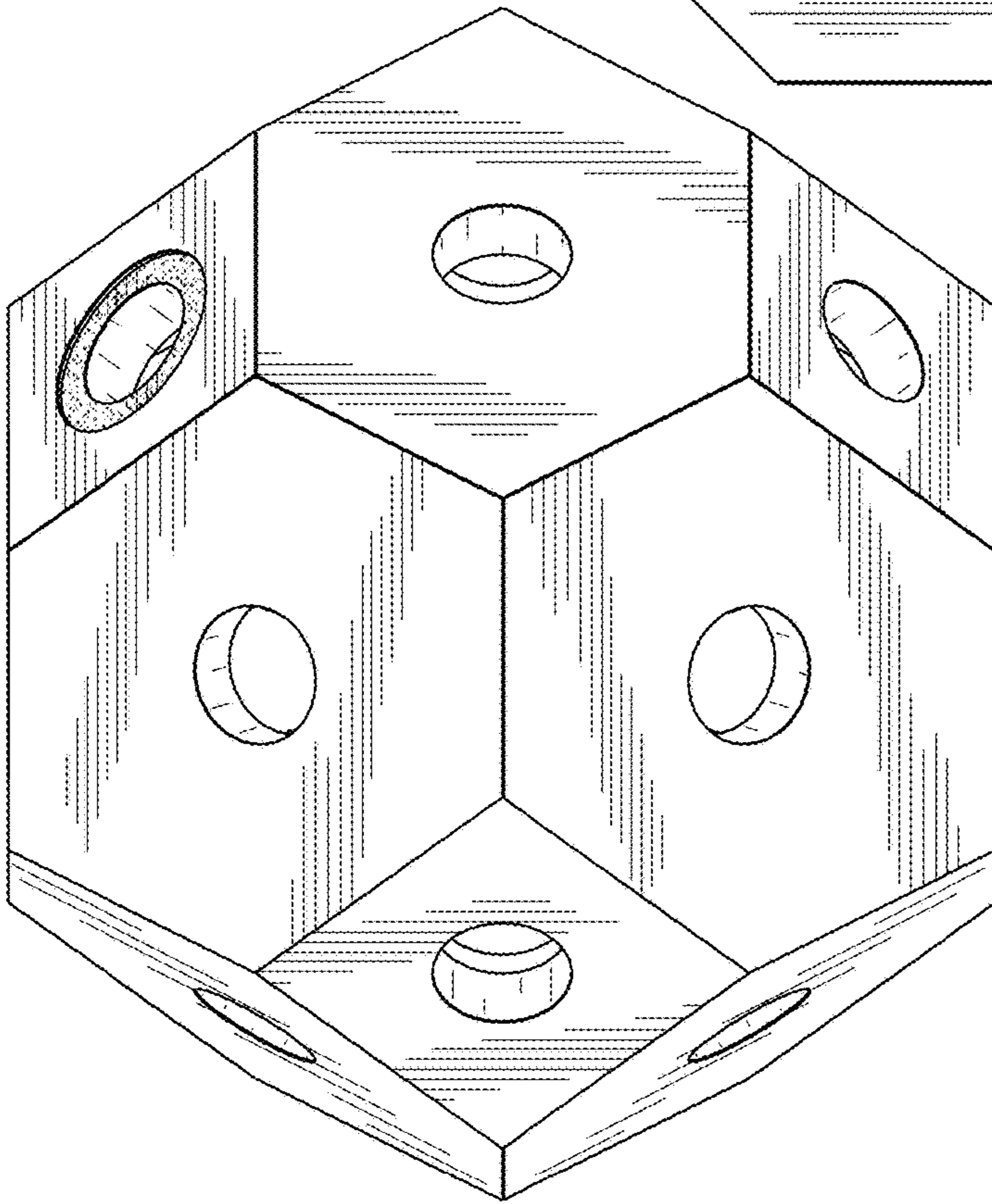
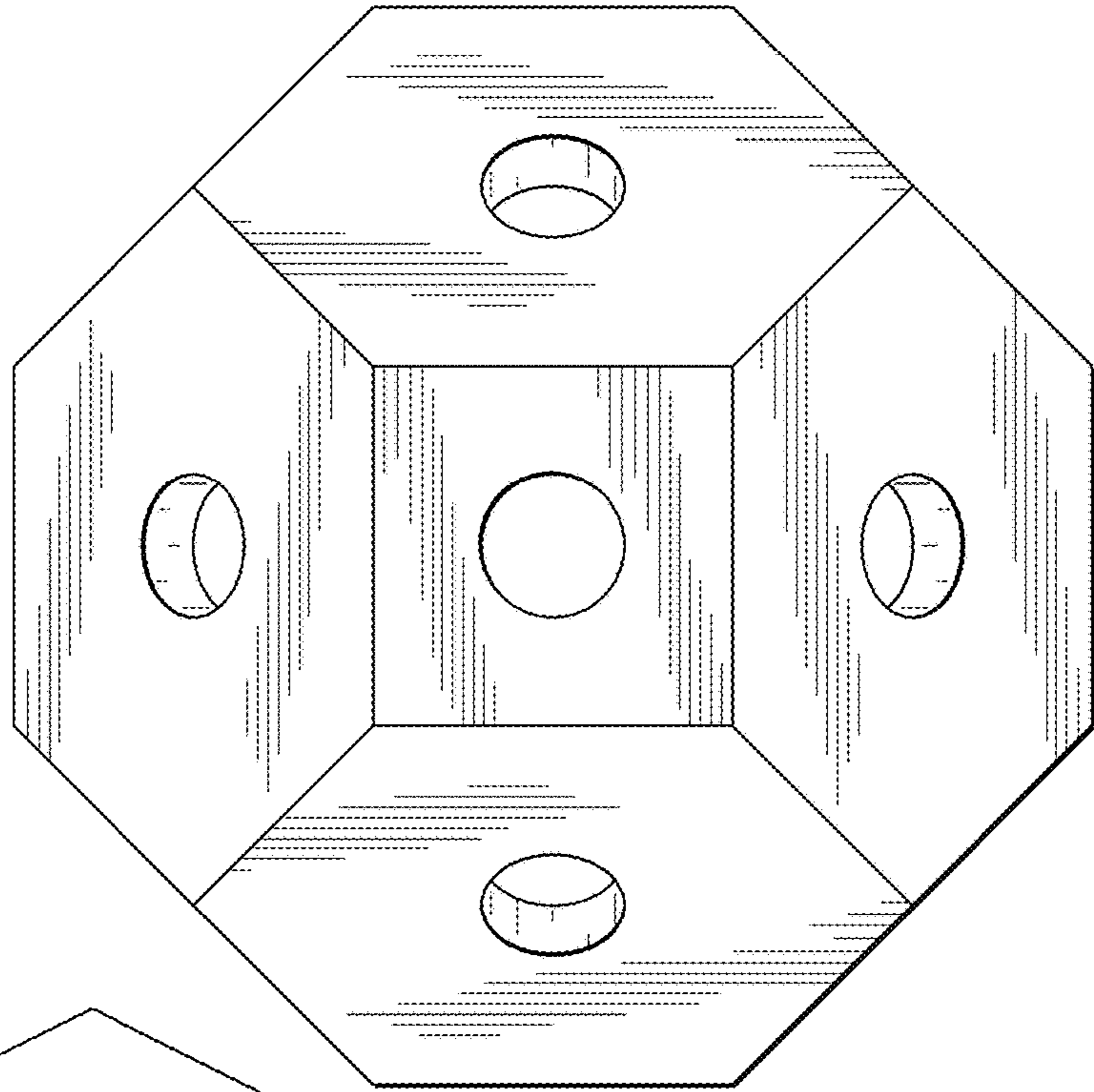


FIG. 16