



US00D819131S

(12) **United States Design Patent** (10) **Patent No.:** **US D819,131 S**
Wei (45) **Date of Patent:** **** May 29, 2018**

- (54) **3D PRINTING PEN**
 - (71) Applicant: **Honghui Wei**, Zhejiang (CN)
 - (72) Inventor: **Honghui Wei**, Zhejiang (CN)
 - (73) Assignee: **Honghui Wei**, Yuyao (CN)
 - (**) Term: **15 Years**
 - (21) Appl. No.: **29/581,866**
 - (22) Filed: **Oct. 23, 2016**
 - (51) **LOC (11) Cl.** **19-06**
 - (52) **U.S. Cl.**
USPC **D19/179**; D19/934
 - (58) **Field of Classification Search**
USPC D14/411; D19/115-204; D28/7, 76, 88
CPC ... B43K 7/12; B43K 8/04; B43K 8/06; B43K
19/00; B43K 19/02; B43K 19/14; B43K
21/006; B43K 21/06; B43K 23/06; B43K
24/08
- See application file for complete search history.

(56) **References Cited**

U.S. PATENT DOCUMENTS

- D210,066 S * 2/1968 Johnson D4/101
- D441,267 S * 5/2001 Heun B25F 5/02
D8/61
- D500,790 S * 1/2005 Jaakkola D14/411
- 7,310,881 B2 * 12/2007 Ohuka B43K 19/14
30/456

- D619,579 S * 7/2010 Flores Rodrigues
Vieira D14/411
- D641,222 S * 7/2011 Molina D14/411
- D670,698 S * 11/2012 Ahman D14/411
- D686,621 S * 7/2013 Pawlus D14/411
- D690,303 S * 9/2013 Avery D14/167
- 9,161,604 B2 * 10/2015 Nakamura B05C 11/00
- D760,838 S * 7/2016 Wiseman D19/130
- D766,371 S * 9/2016 Wiseman D19/180
- D771,047 S * 11/2016 Martindale D14/411
- D783,617 S * 4/2017 Chrenka D14/411
- D801,431 S * 10/2017 Kao D19/177
- 2008/0063284 A1 * 3/2008 Byler B43K 7/005
382/187

* cited by examiner

Primary Examiner — Elizabeth Albert

(74) *Attorney, Agent, or Firm* — ScienBiziP, P.C.

(57) **CLAIM**

The ornamental design for a 3D printing pen, as shown and described.

DESCRIPTION

FIG. 1 is a perspective view of a 3D printing pen, showing my new design.

FIG. 2 is a front view thereof.

FIG. 3 is a rear view thereof.

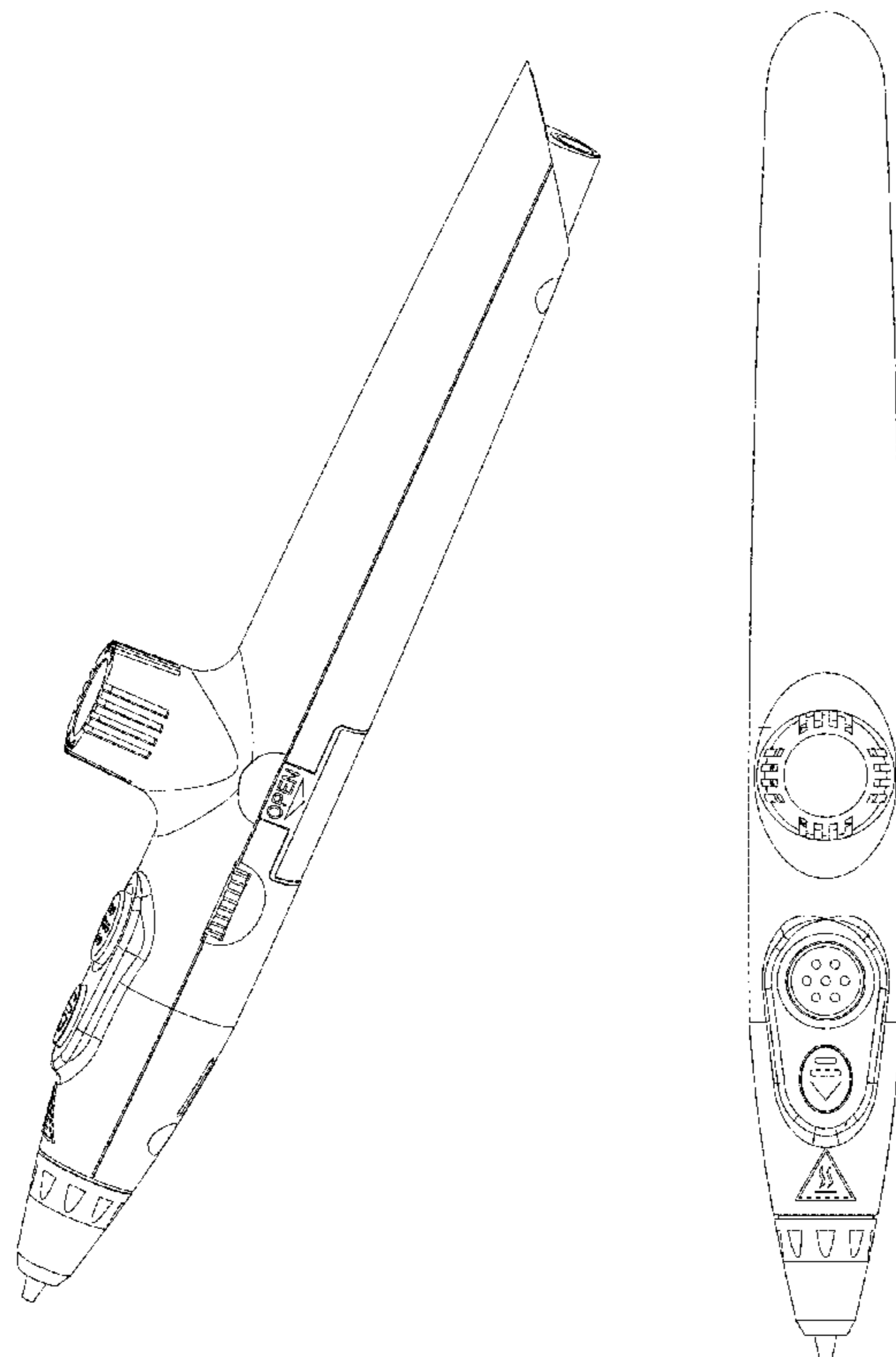
FIG. 4 is a left view thereof.

FIG. 5 is a right view thereof.

FIG. 6 is a top view thereof; and,

FIG. 7 is a bottom view thereof.

1 Claim, 4 Drawing Sheets



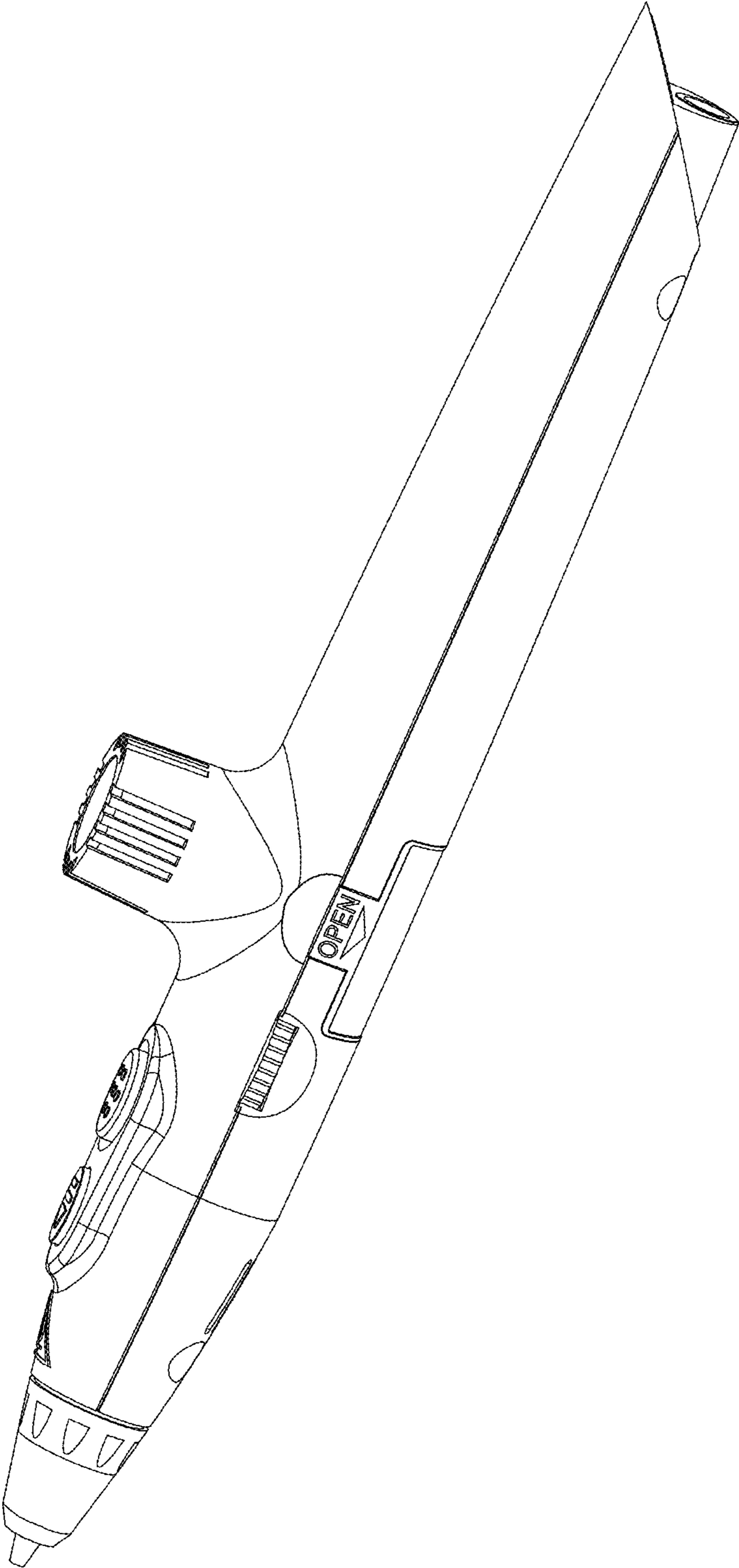


Fig. 1

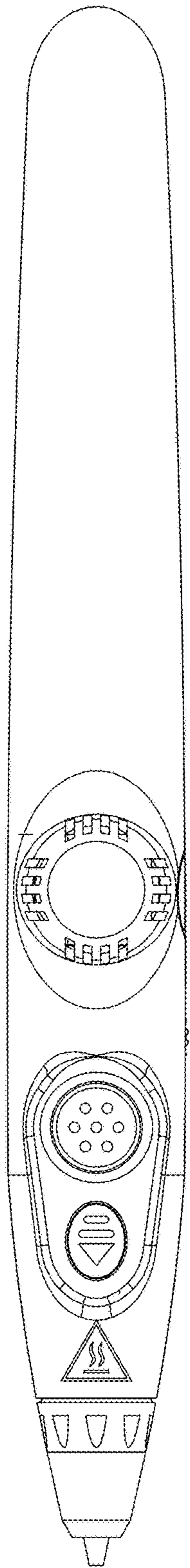


Fig. 2

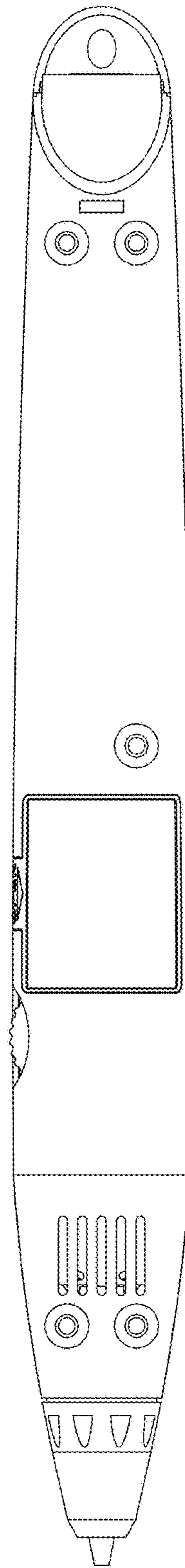


Fig. 3

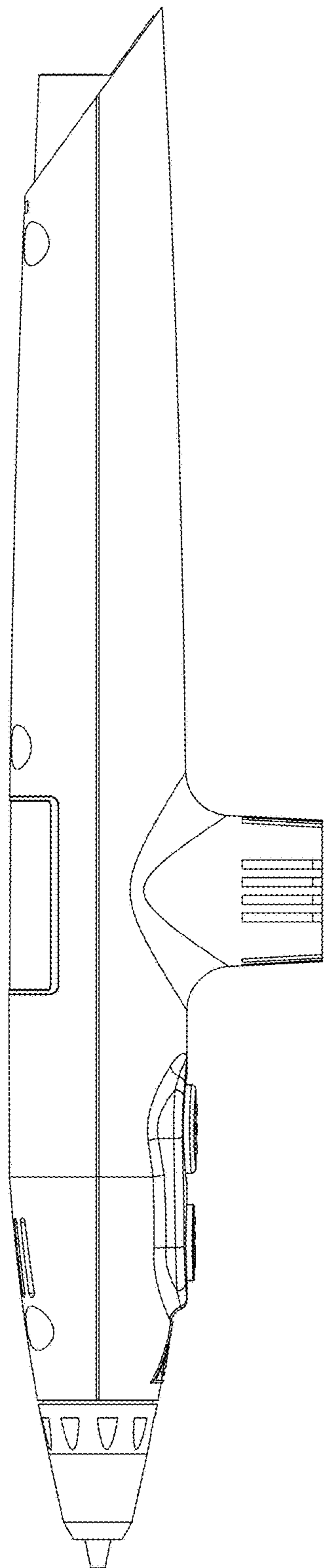


Fig. 4

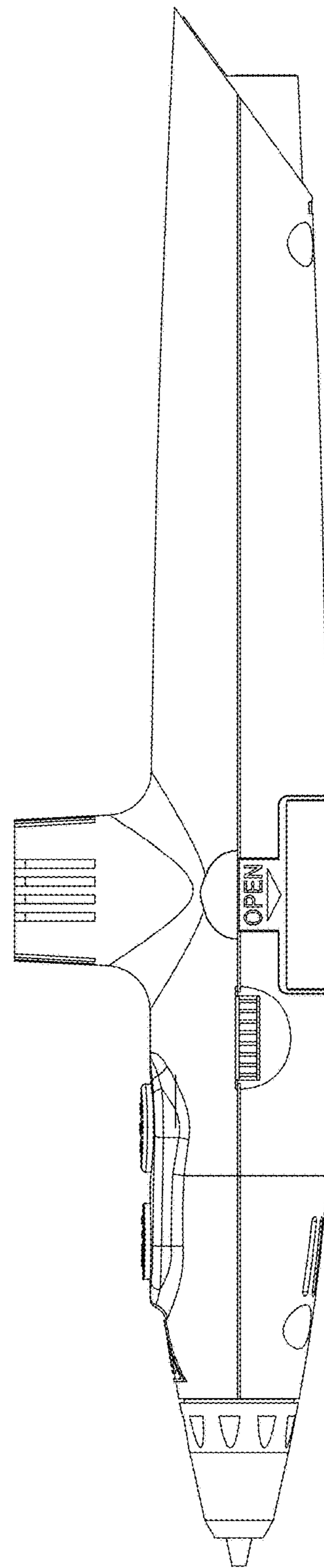


Fig. 5

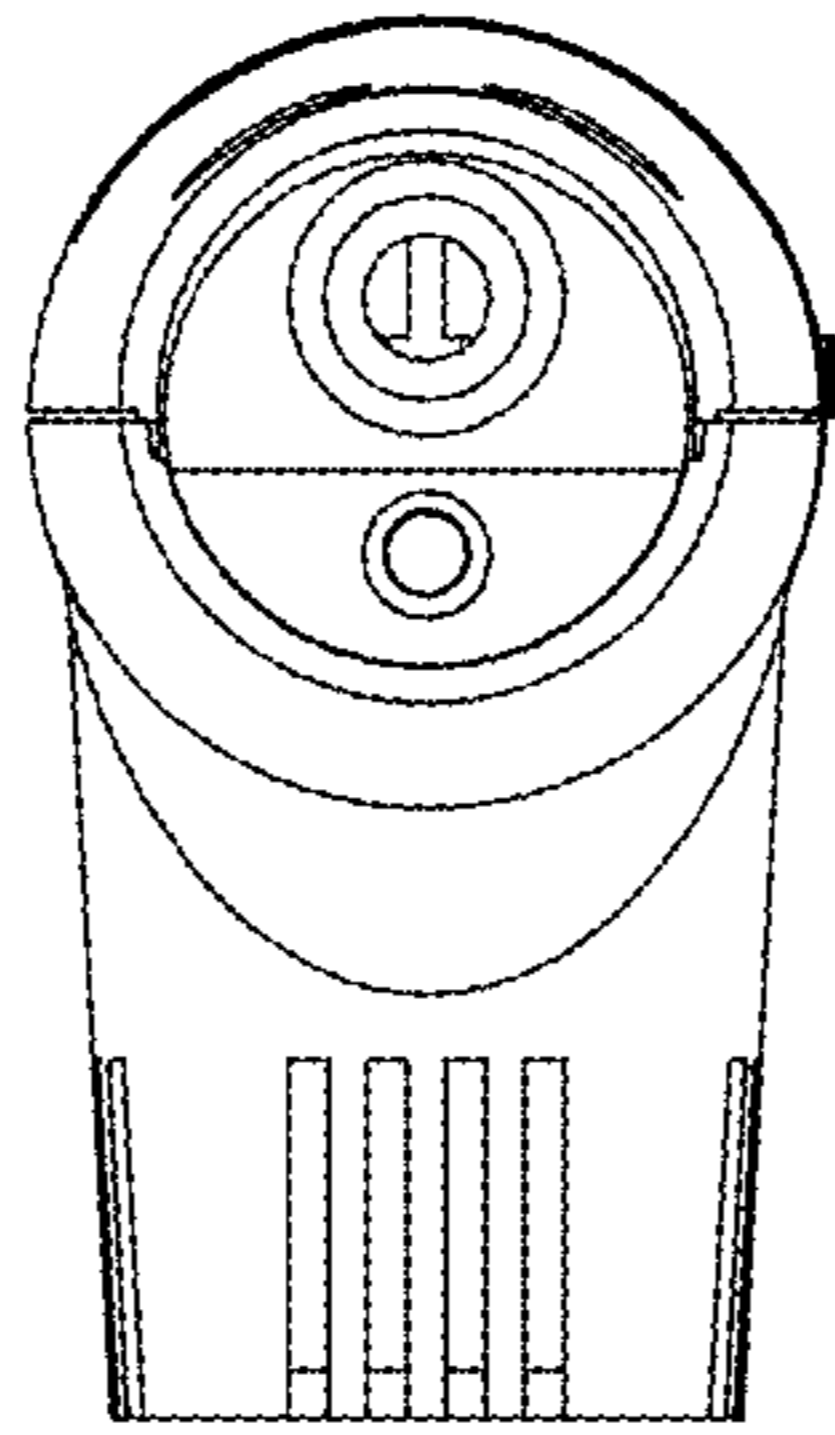


Fig. 6

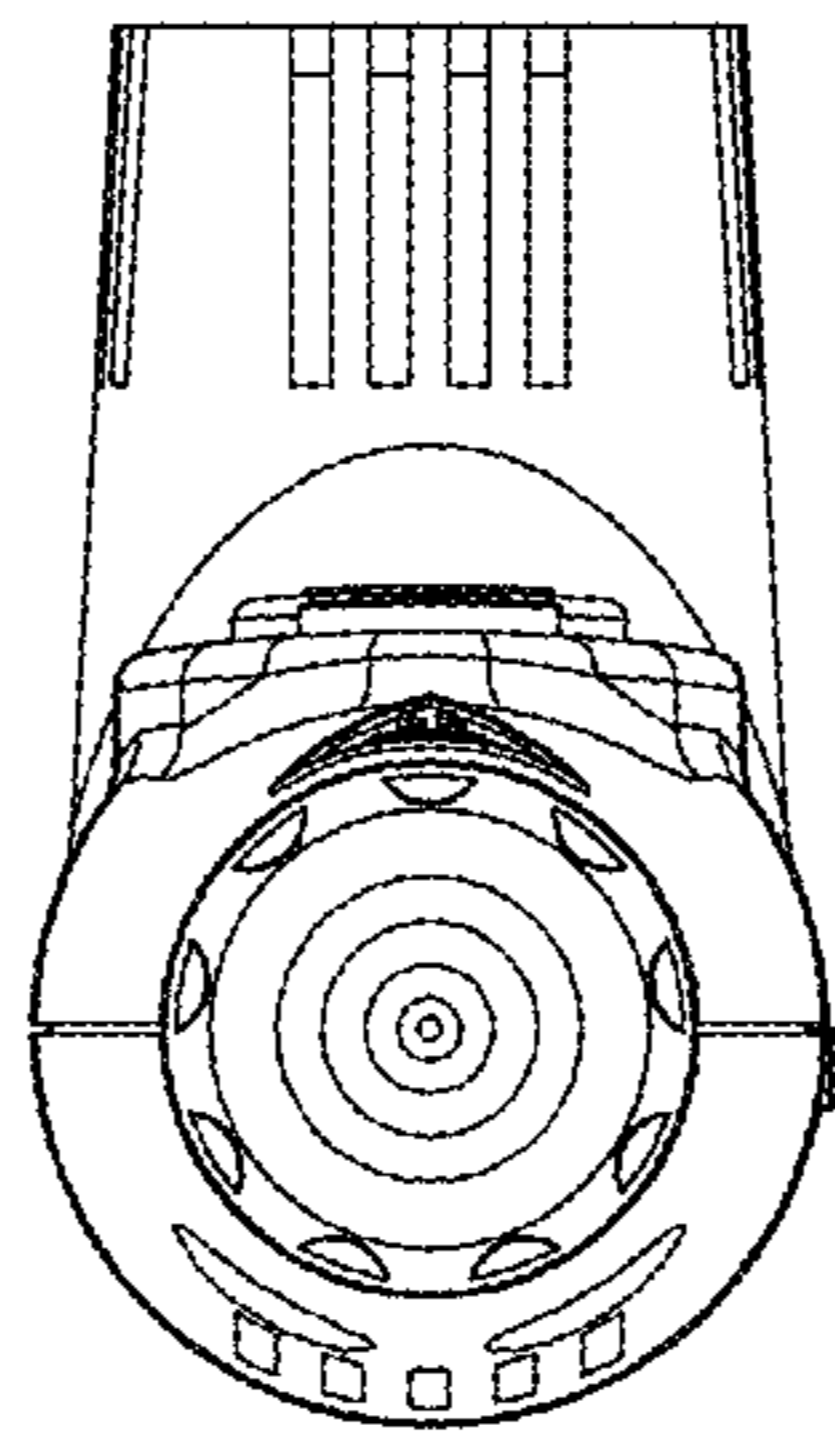


Fig. 7