



US00D819128S

(12) **United States Design Patent**
Sowder

(10) **Patent No.:** **US D819,128 S**

(45) **Date of Patent:** **** May 29, 2018**

- (54) **CANVAS BLANK**
- (71) Applicant: **Pratt Corrugated Holdings, Inc.**,
Conyers, GA (US)
- (72) Inventor: **Reed Sowder**, Somerville, AL (US)
- (73) Assignee: **Pratt Corrugated Holdings, Inc.**,
Conyers, GA (US)
- (**) Term: **15 Years**
- (21) Appl. No.: **29/574,646**
- (22) Filed: **Aug. 17, 2016**
- (51) **LOC (11) Cl.** **19-06**
- (52) **U.S. Cl.**
USPC **D19/113; D9/433**
- (58) **Field of Classification Search**
USPC D6/300–308, 310–312, 314; D9/433;
D19/111, 113, 114
CPC . B44D 3/18; B44D 3/185; B44D 3/22; B44D
2/002; B44D 2/007; A47G 1/06; A47G
1/0633; A47G 1/08; A47G 1/10
See application file for complete search history.

2,324,027 A 7/1943 Rosenberg et al.
2,474,659 A 6/1949 Ebert
2,630,641 A 3/1953 Hessdoerfer
(Continued)

FOREIGN PATENT DOCUMENTS

WO 2015058504 4/2015
WO 2015071383 5/2015

OTHER PUBLICATIONS

Conrad, Hannah; Applicant-Initiated Interview Summary for U.S. Appl. No. 15/239,518, filed Aug. 17, 2016, dated Jan. 18, 2017, 3 pgs.

(Continued)

Primary Examiner — Elizabeth Albert
(74) *Attorney, Agent, or Firm* — Taylor English Duma LLP

(57) **CLAIM**

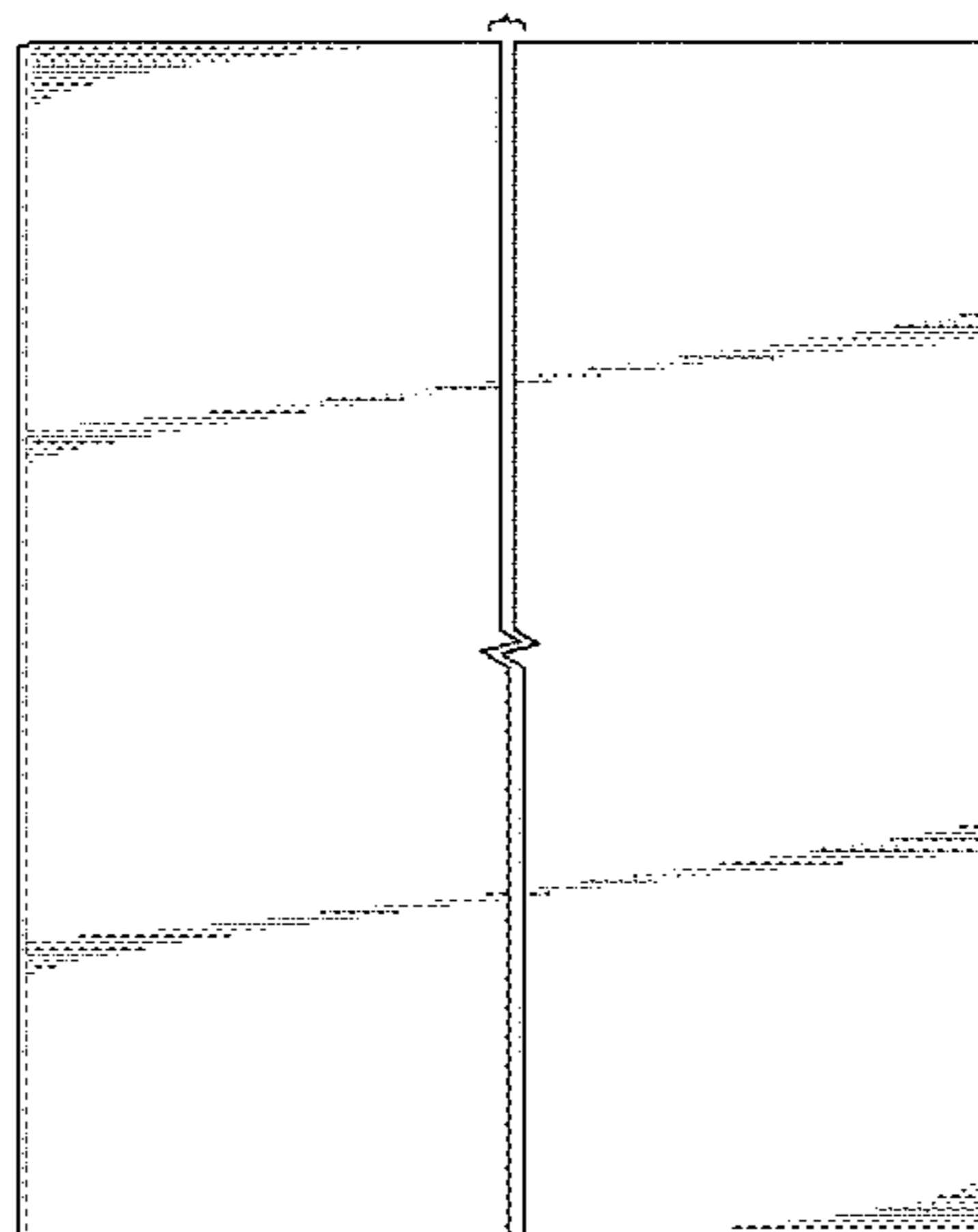
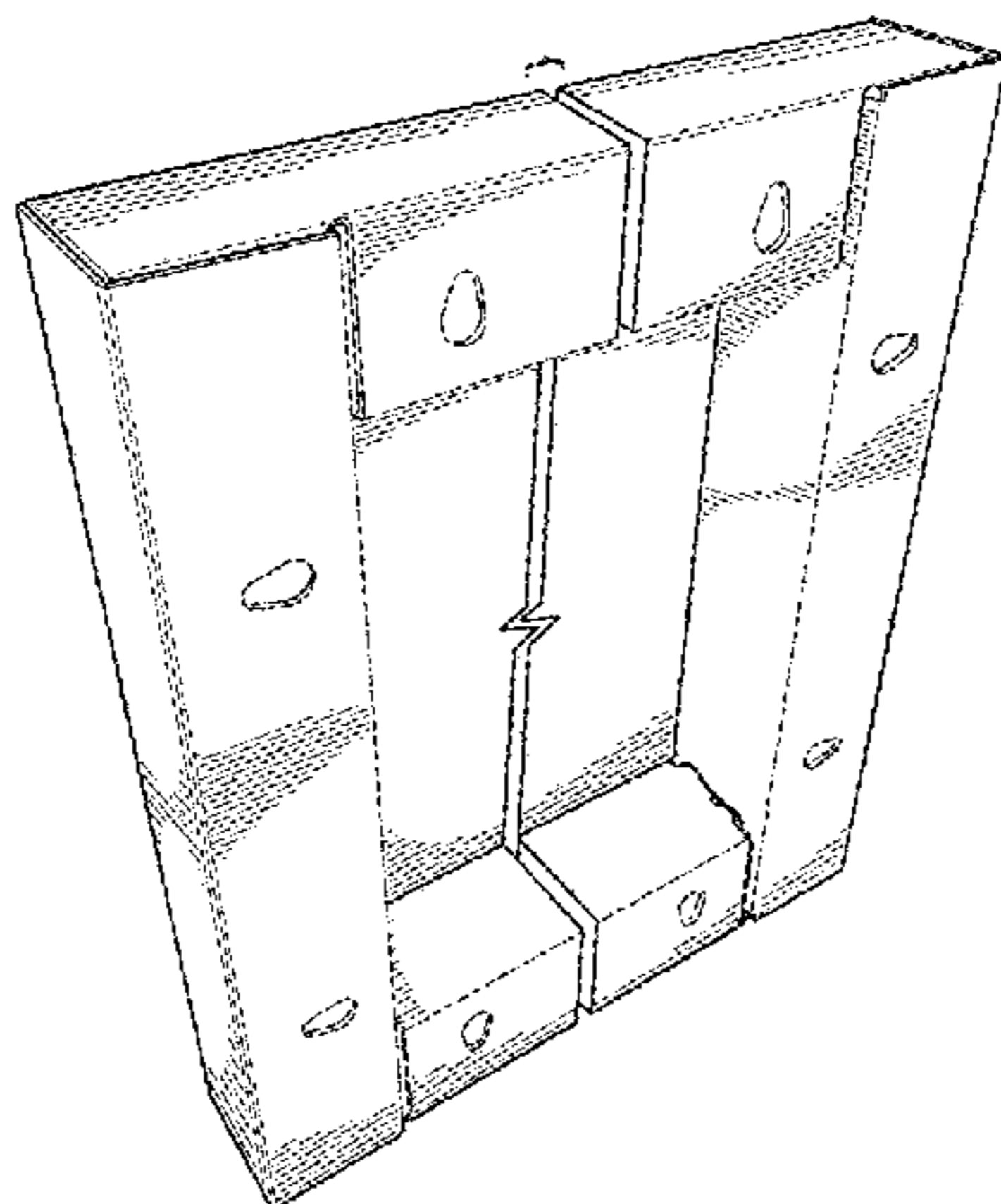
I claim the ornamental design for a canvas blank, as shown and described.

DESCRIPTION

FIG. 1 is a rear perspective view of the canvas blank showing my new design.
FIG. 2 is a front elevation view thereof.
FIG. 3 is a rear elevation view thereof.
FIG. 4 is a right-side elevation view thereof.
FIG. 5 is a left-side elevation view thereof.
FIG. 6 is a top plan view thereof.
FIG. 7 is a bottom plan view thereof; and,
FIG. 8 is a plan view thereof in an unfolded condition.
The features shown in broken lines represent bend lines and form no part of the claimed design. The broken away symbols in the drawings indicate that the appearance of any portion of the article between the break lines forms no part of the claimed design.

1 Claim, 6 Drawing Sheets

- (56) **References Cited**
- U.S. PATENT DOCUMENTS**
- 368,236 A * 8/1887 Rawbone B44D 3/185
160/374.1
- 773,177 A 10/1904 Wislon
- 809,785 A 1/1906 Dahlberg
- 1,077,622 A * 11/1913 McLellan A47G 1/0633
40/789
- 1,086,690 A 2/1914 Rosenberg
- 1,132,629 A 3/1915 Springman
- 1,134,802 A 4/1915 Agar
- 1,435,658 A 11/1922 Prehn
- 1,476,216 A 12/1923 Palais
- 1,976,421 A 10/1934 Traeger et al.
- 2,101,327 A 12/1937 Ziemmerman
- 2,294,641 A * 9/1942 Walters A47F 5/112
211/126.16
- 2,322,259 A 6/1943 Thurston



(56)

References Cited

U.S. PATENT DOCUMENTS

2,902,785 A 9/1959 Nichols
 2,931,515 A 4/1960 Rubin
 2,992,500 A 7/1961 Hayhow
 3,137,088 A * 6/1964 Spertus B44D 3/18
 160/378
 3,275,281 A 9/1966 Sampson
 3,853,220 A * 12/1974 Luray B65D 81/075
 206/466
 D300,285 S * 3/1989 Karklins D6/300
 5,052,462 A * 10/1991 Stobart B44D 3/225
 160/374.1
 5,084,993 A * 2/1992 Dahlheimer G09F 15/0025
 40/541
 5,154,392 A 10/1992 Voight
 5,277,388 A 1/1994 Denaro
 5,301,800 A 4/1994 Kenney
 5,351,928 A 10/1994 Cooper et al.
 5,653,333 A 8/1997 Webster
 5,850,910 A 12/1998 Broyles et al.
 5,900,276 A * 5/1999 Sooklaris B44D 3/18
 427/140
 6,338,215 B1 * 1/2002 Vincent A47G 1/065
 40/729
 6,347,466 B1 * 2/2002 Lackner B44D 3/185
 38/102
 6,382,581 B1 5/2002 Duff
 6,450,327 B1 9/2002 Kikuchi
 6,581,895 B1 6/2003 Pleasant
 6,685,026 B1 * 2/2004 Hanna B65D 5/5021
 206/454
 7,000,882 B2 2/2006 Snuffer
 D518,240 S 3/2006 Bossomo et al.
 D524,061 S * 7/2006 Bruce D6/300
 7,367,539 B2 5/2008 Moss et al.
 D602,227 S 10/2009 Zeilinger
 7,861,995 B2 1/2011 Liou
 7,967,154 B1 6/2011 Sharon
 D643,223 S 8/2011 Harding
 D643,635 S 8/2011 Harding
 8,136,678 B2 3/2012 Moss
 D674,016 S 1/2013 Letterle
 D677,935 S 3/2013 Pirayesh et al.
 8,540,091 B2 9/2013 Kristensen
 8,863,420 B2 10/2014 Edmondson et al.
 8,925,228 B2 1/2015 Edmondson et al.
 D725,946 S 4/2015 Pirayesh et al.
 9,174,483 B2 11/2015 Ridless et al.

9,265,366 B2 2/2016 Zhou et al.
 9,358,830 B1 6/2016 McLaughlin
 9,421,816 B2 * 8/2016 Stas B44D 3/185
 9,457,929 B2 * 10/2016 Jenkins B65D 5/242
 9,687,091 B2 * 6/2017 Jhagroo A47G 1/065
 9,802,440 B2 * 10/2017 Lu B44D 3/185
 2008/0301989 A1 * 12/2008 Britten G09F 7/18
 40/611.11
 2010/0032322 A1 2/2010 O'Neill
 2010/0229439 A1 * 9/2010 Elliot A47G 1/06
 40/711
 2013/0000169 A1 1/2013 Ramos-Gonzalez et al.
 2013/0270413 A1 10/2013 Wilber et al.
 2014/0314971 A1 10/2014 Domanski et al.
 2014/0318722 A1 10/2014 Ridless
 2014/0363592 A1 12/2014 Zhou et al.
 2016/0143461 A1 5/2016 Millman et al.
 2016/0297236 A1 * 10/2016 Edgerton-Ball A47G 1/0633
 2017/0173996 A1 * 6/2017 Lu B44D 3/185
 2017/0290449 A1 * 10/2017 Snyder A47G 1/1626
 2017/0311738 A1 * 11/2017 Wong A47G 1/0633
 2018/0050558 A1 2/2018 Sowder

OTHER PUBLICATIONS

Conrad, Hannah; Non-Final Office Action for U.S. Appl. No. 15/239,518, filed Aug. 17, 2016, dated Feb. 21, 2016, 23 pgs.
 Sowder, Reed; U.S. Application entitled: Foldable Canvas Blank, having U.S. Appl. No. 15/239,514, filed Aug. 17, 2016, 43 pgs.
 Conrad, Hannah; U.S. Patent Application entitled: Foldable Easel Blank, having U.S. Appl. No. 15/239,518, filed Mar. 17, 2016, 33 pgs.
 Conrad, Hannah; U.S. Patent Application entitled: Foldable Palette Blank, having U.S. Appl. No. 15/239,360, filed Mar. 17, 2016, 23 pgs.
 Conrad, Hannah; U.S. Design Application entitled: Easel Formed From a Blank, having U.S. Appl. No. 29/574,628, filed Aug. 17, 2016, 7 pgs.
 Conrad, Hannah; U.S. Design Application entitled: Palette Formed From a Blank, having U.S. Appl. No. 29/754,647, filed Mar. 17, 2016, 7 pgs.
 Conrad, Hannah; Final Office Action for US. Appl. No. 15/239,518, filed Aug. 17, 2016, dated May 1, 2017, 16 pgs.
 Conrad, Hannah; Non-final Office Action for U.S. Appl. No. 15/239,518, filed Aug. 17, 2016, dated May 9, 2017, 21 pgs.
 Conrad, Hannah; Restriction Requirement for U.S. Appl. No. 15/239,360, filed Aug. 17, 2016, mailed May 9, 2017, 6 pgs.

* cited by examiner

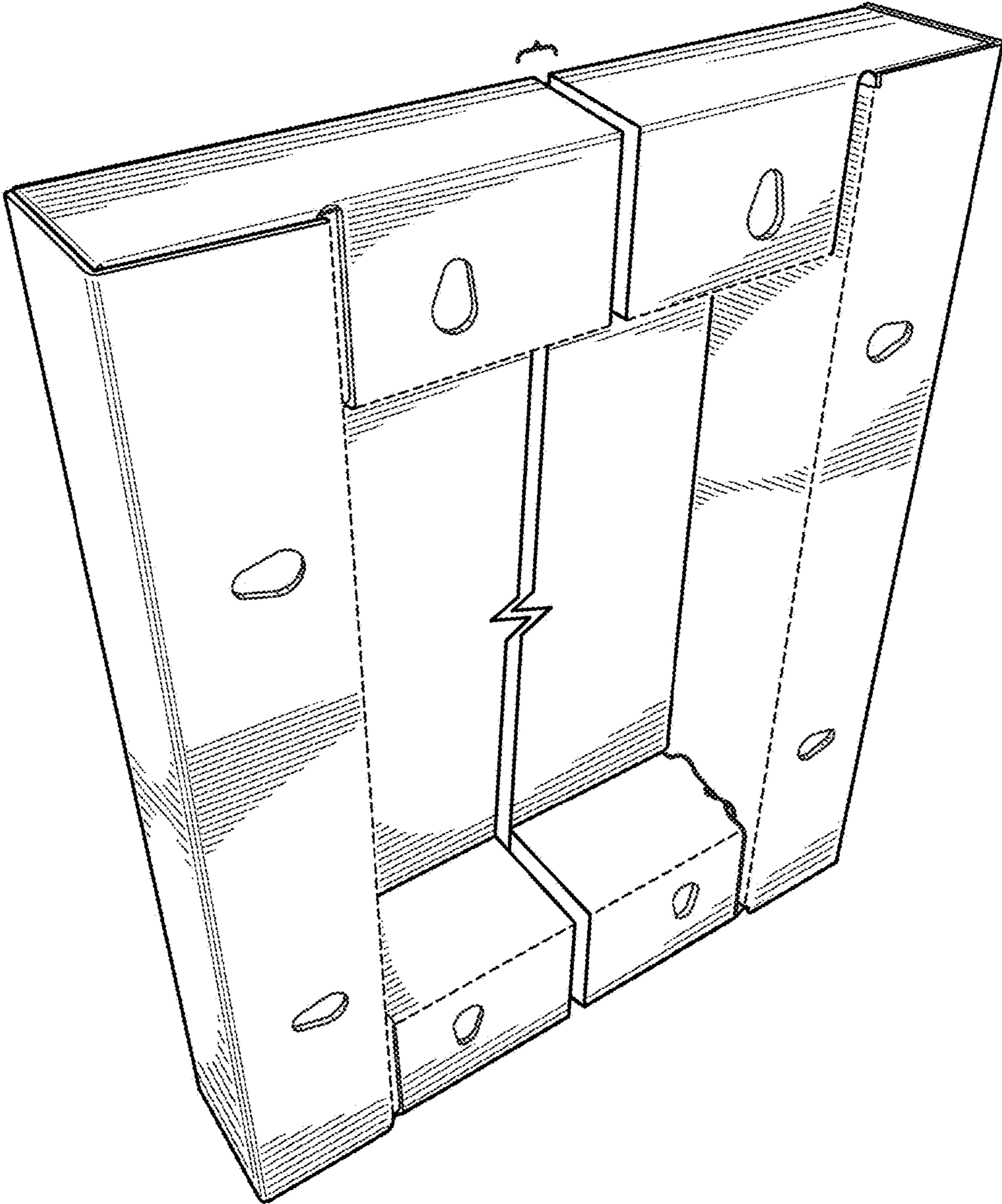


FIG. 1

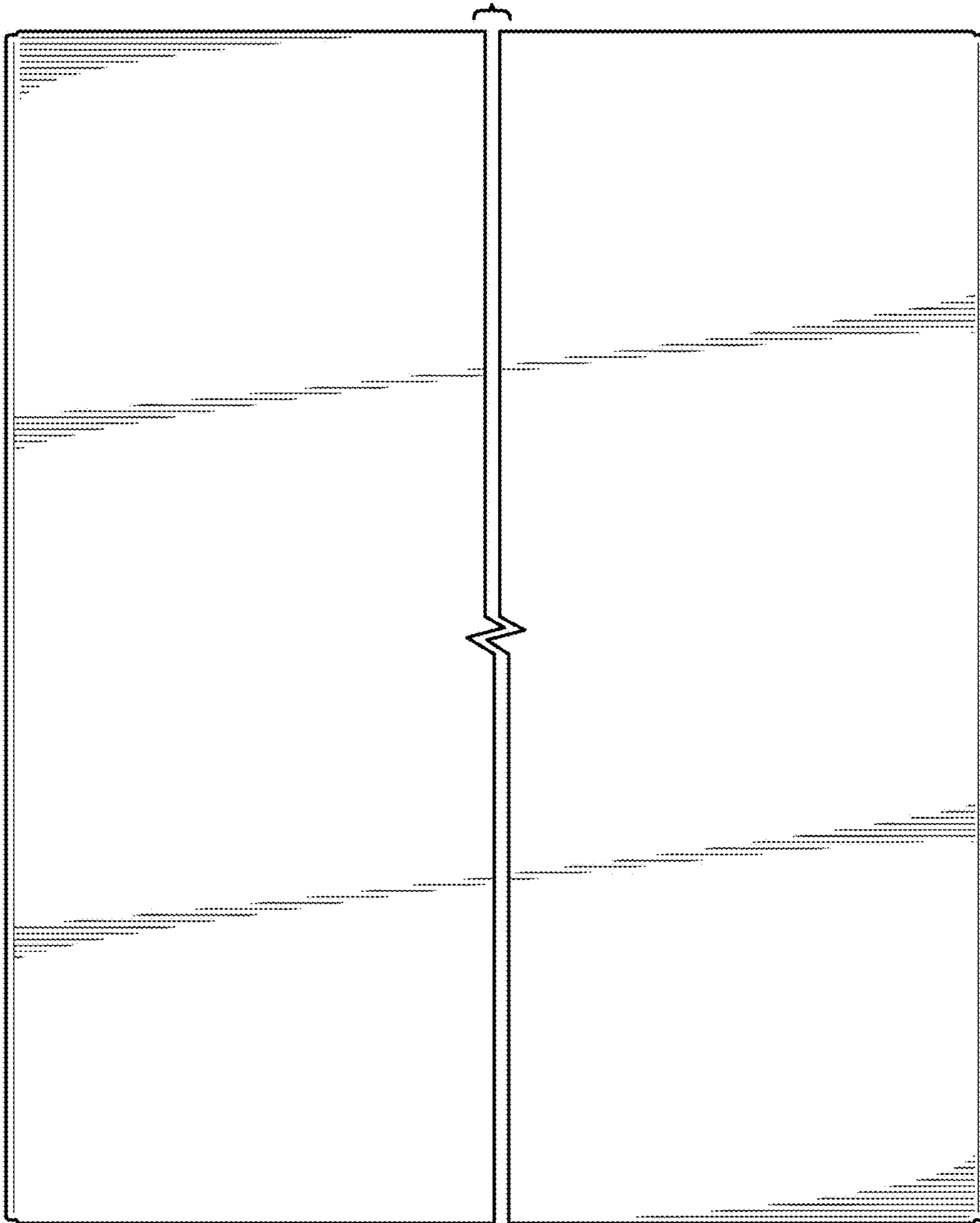


FIG. 2

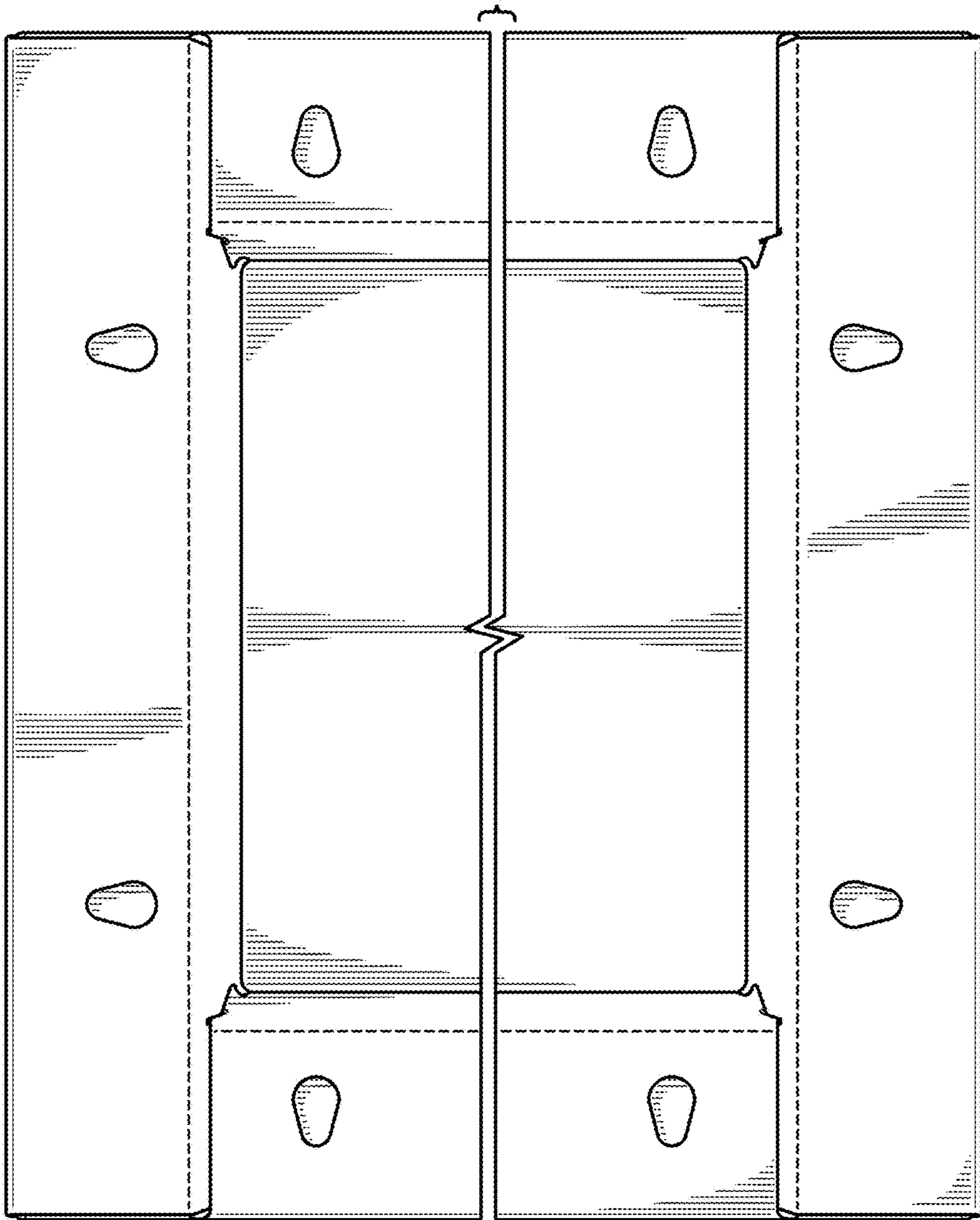


FIG. 3

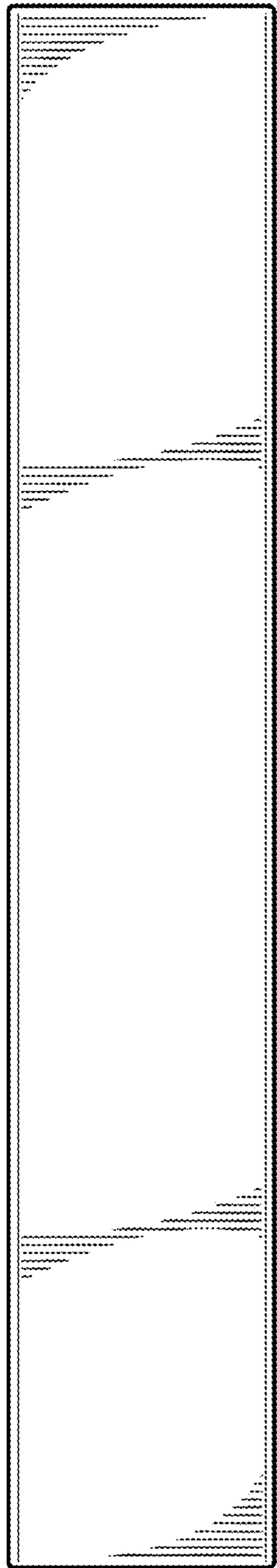


FIG. 4

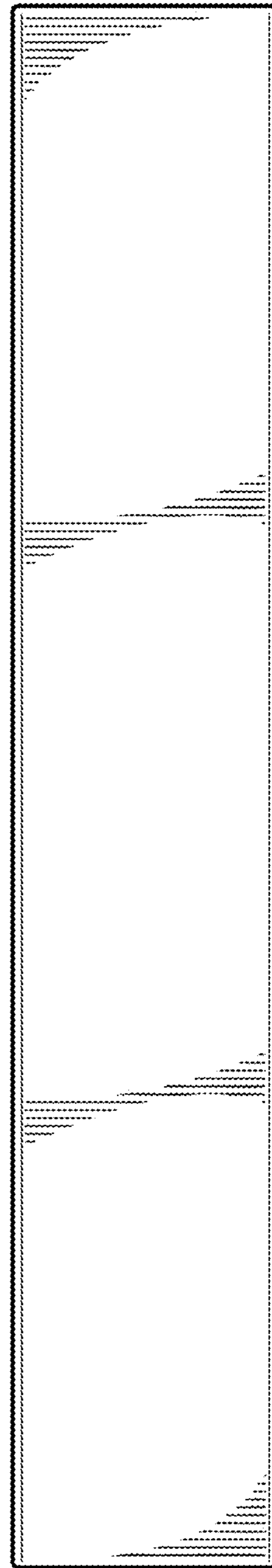


FIG. 5

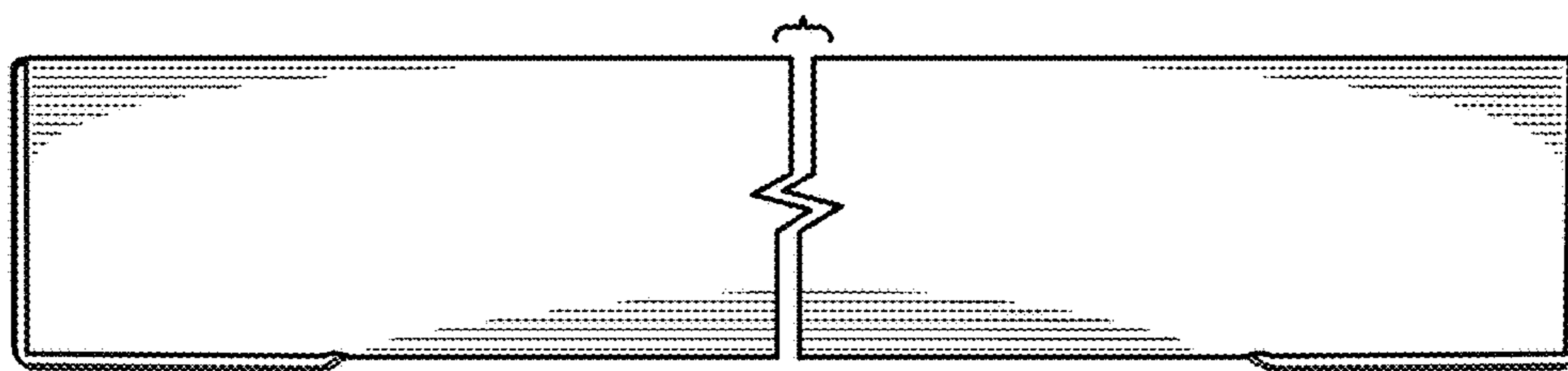


FIG. 6

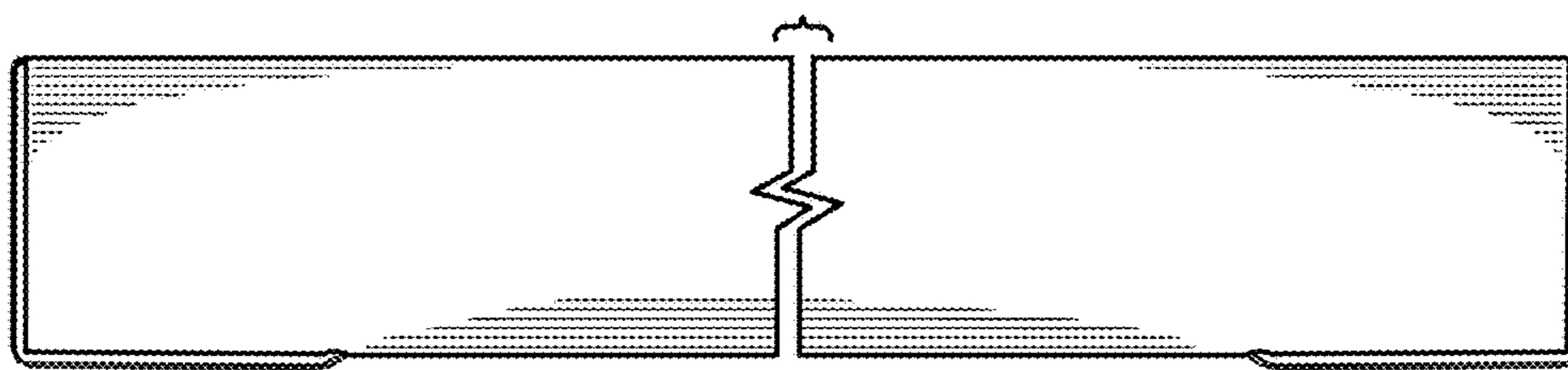


FIG. 7

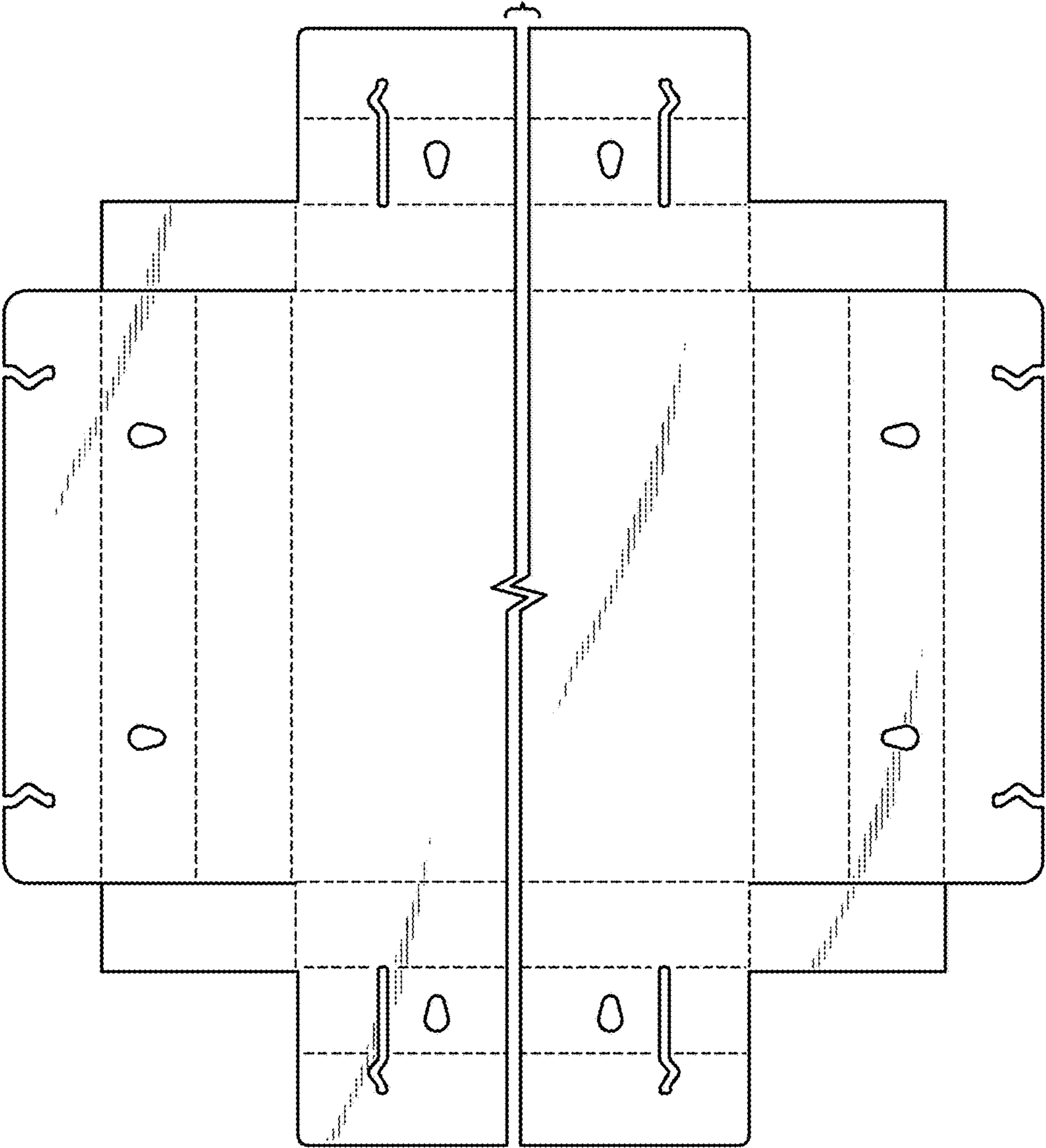


FIG. 8