



US00D819127S

(12) **United States Design Patent** (10) **Patent No.:** **US D819,127 S**
Walker et al. (45) **Date of Patent:** **** May 29, 2018**

(54) **DESK ORGANIZER**

5,490,607 A 2/1996 Hsieh et al.
 D390,266 S * 2/1998 Cheri D19/77
 D390,366 S 2/1998 Chang
 (Continued)

(71) Applicant: **TARGET BRANDS, INC.**,
Minneapolis, MN (US)

(72) Inventors: **Douglas Le'Spencer Walker**,
Minneapolis, MN (US); **Michael M. Habig**,
Cincinnati, OH (US); **Rebecca Blount Robledo**,
Minneapolis, MN (US)

FOREIGN PATENT DOCUMENTS

WO 2016114645 A1 7/2016

(73) Assignee: **TARGET BRANDS, INC.**,
Minneapolis, MN (US)

OTHER PUBLICATIONS

Organizer with Desk Lamp posted by Satco posted date Jan. 16, 2007, © Amazon, [online], [site visited Feb. 26, 2018]. Available from Internet, https://www.amazon.com/Satco-Products-76-356-Organizer/dp/B0026KZNXQ/ref=sr_1_7?s=hi&ie=UTF8&qid=1519683610&sr=1-7&keywords=desk+lamp+organizer (Year: 2007).*

(**) Term: **15 Years**

(21) Appl. No.: **29/590,702**

(Continued)

(22) Filed: **Jan. 12, 2017**

Primary Examiner — Cynthia Ramirez

(51) **LOC (11) Cl.** **19-99**

Assistant Examiner — Laura H Yu

(52) **U.S. Cl.**

(74) *Attorney, Agent, or Firm* — JoAnn M. Seaton;
Griffiths & Seaton PLLC

USPC **D19/78**; D26/65; D19/75

(58) **Field of Classification Search**

USPC D19/78, 86, 90, 66; D26/142, 51, 76, 78,
 D26/79, 80; D3/206, 313
 CPC F21S 4/007; F21S 6/00; F21S 8/063; F21S
 8/033

(57) **CLAIM**

The ornamental design for a desk organizer, as shown and described.

See application file for complete search history.

DESCRIPTION

(56) **References Cited**

U.S. PATENT DOCUMENTS

D41,026 S	12/1910	Paige	
D83,409 S	2/1931	Manfredi	
D165,510 S	12/1951	Cianciolo	
D250,823 S *	1/1979	Theobald	D19/75
D253,898 S	1/1980	Cross	
D289,060 S *	3/1987	Wolff	D19/77
D332,631 S	1/1993	Klodt	
D339,648 S	9/1993	Wen-Yung	
D349,170 S	7/1994	Lin	
D351,919 S	10/1994	Rorke	
D353,905 S	12/1994	Lin	
D367,124 S	2/1996	Sherman	

FIG. 1 is a perspective view of a desk organizer showing our new design;

FIG. 2 is a front view thereof;

FIG. 3 is a rear view thereof;

FIG. 4 is a right side view thereof;

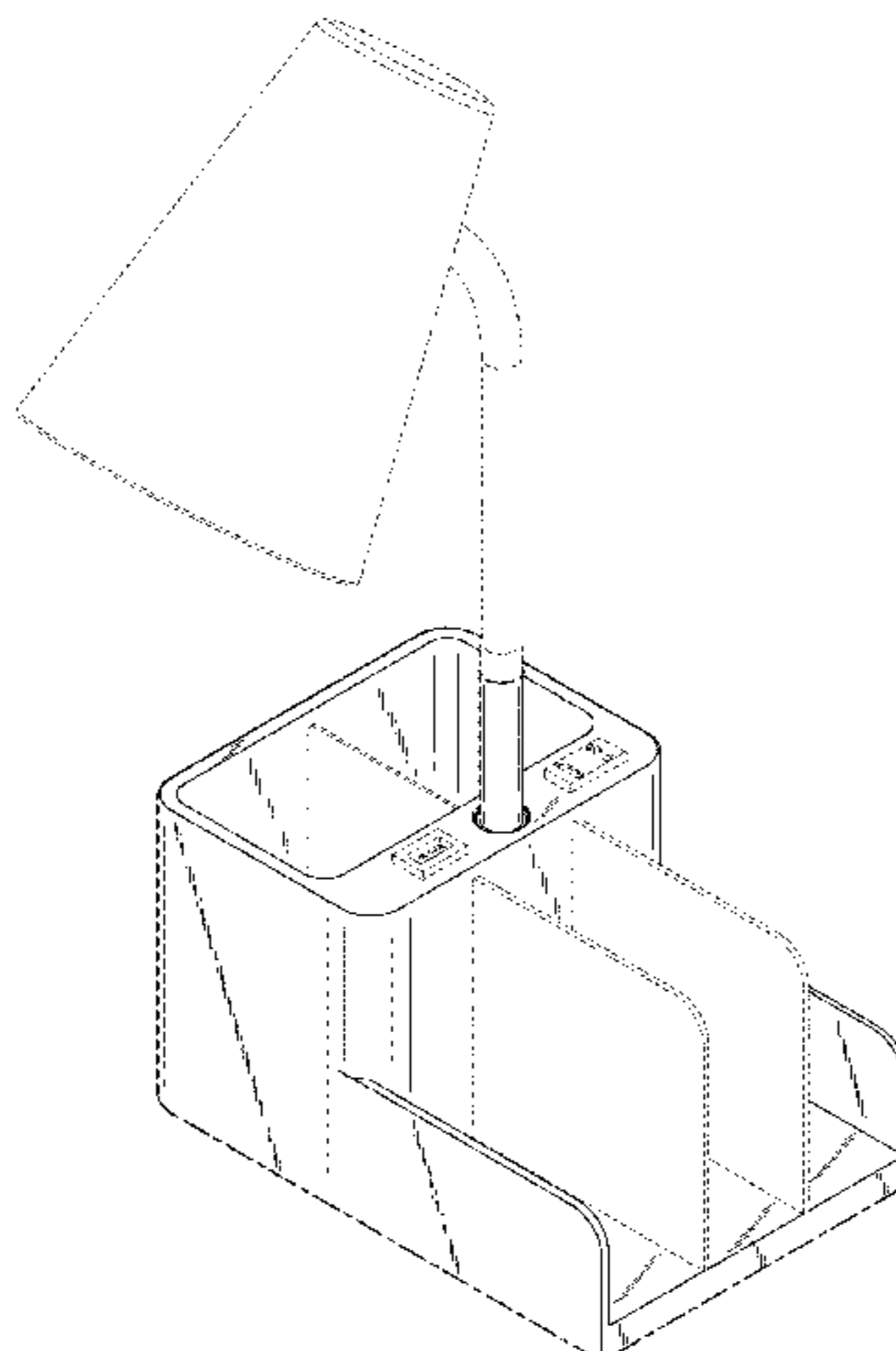
FIG. 5 is a left side view thereof;

FIG. 6 is a top view thereof; and,

FIG. 7 is a bottom view thereof.

The broken lines show portions of the desk organizer that form no part of the claimed design. The dash dot lines indicate the bounds of the claimed design and form no part of the claimed design.

1 Claim, 7 Drawing Sheets



(56)

References Cited

U.S. PATENT DOCUMENTS

5,765,793	A	6/1998	Yu	
D440,679	S	4/2001	Lo	
6,279,753	B1	8/2001	Swanson	
D456,452	S	4/2002	Chang	
D474,688	S	5/2003	Litts	
D477,848	S	7/2003	Chen	
D520,662	S	5/2006	Jacquelin	
D531,225	S	10/2006	Kent et al.	
D566,771	S	4/2008	Kent et al.	
D581,982	S	12/2008	Bhavnani	
7,699,487	B2	4/2010	Schafer	
7,736,033	B2	6/2010	Patel	
D626,262	S	10/2010	Lu	
D681,119	S	4/2013	Stravitz	
8,454,039	B2	6/2013	Murakami	
D702,761	S	4/2014	Foley et al.	
8,783,936	B2	7/2014	Chien	
8,899,797	B2	12/2014	Schaak	
8,911,137	B2	12/2014	Chien	
8,915,608	B2	12/2014	Chien	
8,931,947	B2	1/2015	Chien	
8,998,462	B2	4/2015	Chien	
9,074,761	B2	7/2015	Liao et al.	
9,182,111	B2	11/2015	Chien	
D744,682	S	12/2015	Porter et al.	
D767,189	S	9/2016	Schaak	
D774,691	S *	12/2016	Akkad	D26/142
D806,924	S *	1/2018	Gelman	D26/51
2006/0196837	A1	9/2006	Dao	
2006/0209530	A1	9/2006	Schaak	
2007/0047218	A1	3/2007	Hsieh	
2009/0032479	A1	2/2009	Robinson	
2012/0113645	A1	5/2012	Liao et al.	
2016/0091196	A1	3/2016	Chien	

OTHER PUBLICATIONS

Catalina Lighting posted by Satco posted date Aug. 15, 2017, © Amazon, [online], [site visited Feb. 26, 2018]. Available from

Internet, https://www.amazon.com/Catalina-Lighting-20106-007-Greystone-Organizer/dp/B074Q1G67Y/ref=sr_1_3?s=hi&ie=UTF8&qid=1519683757&sr=1-3&keywords=catalina+lighting (Year: 2017).*

“Equip Your Space Functional Tablet Organizer Desk Lamp with CFL Bulb in Charcoal”, printed from www.bedbathandbeyond.com/store/product/equip-your-space...device=c&matchtype=&network=s&gclid=Cles78Td088CFcRahgodu2gNVQ, publicly available at least as early as Oct. 11, 2016 (2 pages).

“Mainstays Tablet Organizer Desk Lamp with CFL Bulb”, printed from www.walmart.com/ip/Mainstays-MS15-021-002-04-Mainstays-Organizer-Lamp-with-CFL-Bulb/45001035, publicly available at least as early as Dec. 9, 2015 (7 pages).

“Office Desk Lamp Work Space Organizer USB Charger Nightstand Reading Light”, printed from www.terapeak.com/worth/office-desk-lamp-work-space-organizer-usb-charger-nightstand-reading-light/282045348135/, publicly available at least as early as Oct. 11, 2016 (3 pages).

“Your Zone Organizer Lamp with Bulb”, printed from www.walmart.com/ip/Your-Zone-WK639198-DP-Your-Zone-Org...=&w9=pla&w10=8175035&w11=online&w12=50151027&w13=&veh=sem, publicly available at least as early as Oct. 12, 2016 (5 pages).

“Organizer Task Lamp Grey—Room Essentials”, printed from www.target.com/p/organizer-task-lamp-grey-room-essentials...&location=9019602&gclid=CLm2pfSD1s8CFQMoaQodhX8F5Q&gclsrc=aw.ds, publicly available at least as early as Aug. 12, 2016 (2 pages).

Ikea, “Mien Storage Box,” <http://www.ikea.com/gb/en/catalog/products/80083652/>, 1 page, at least as early as Oct. 2012.

Amazon, “Rolodex WoodTones Pencil Cup Holder,” http://www.amazon.com/dp/B00006IAM5/?tag=hyprod-20&havadid=15466961619&hvpos=1o1&hvexid=&hvnetw=g&havadid=15178850271705606569&hvpon=&hvptwo=&hvpmt=&ref=asc_df_B00006IAM5, 1 page, at least as early as Oct. 2012.

* cited by examiner

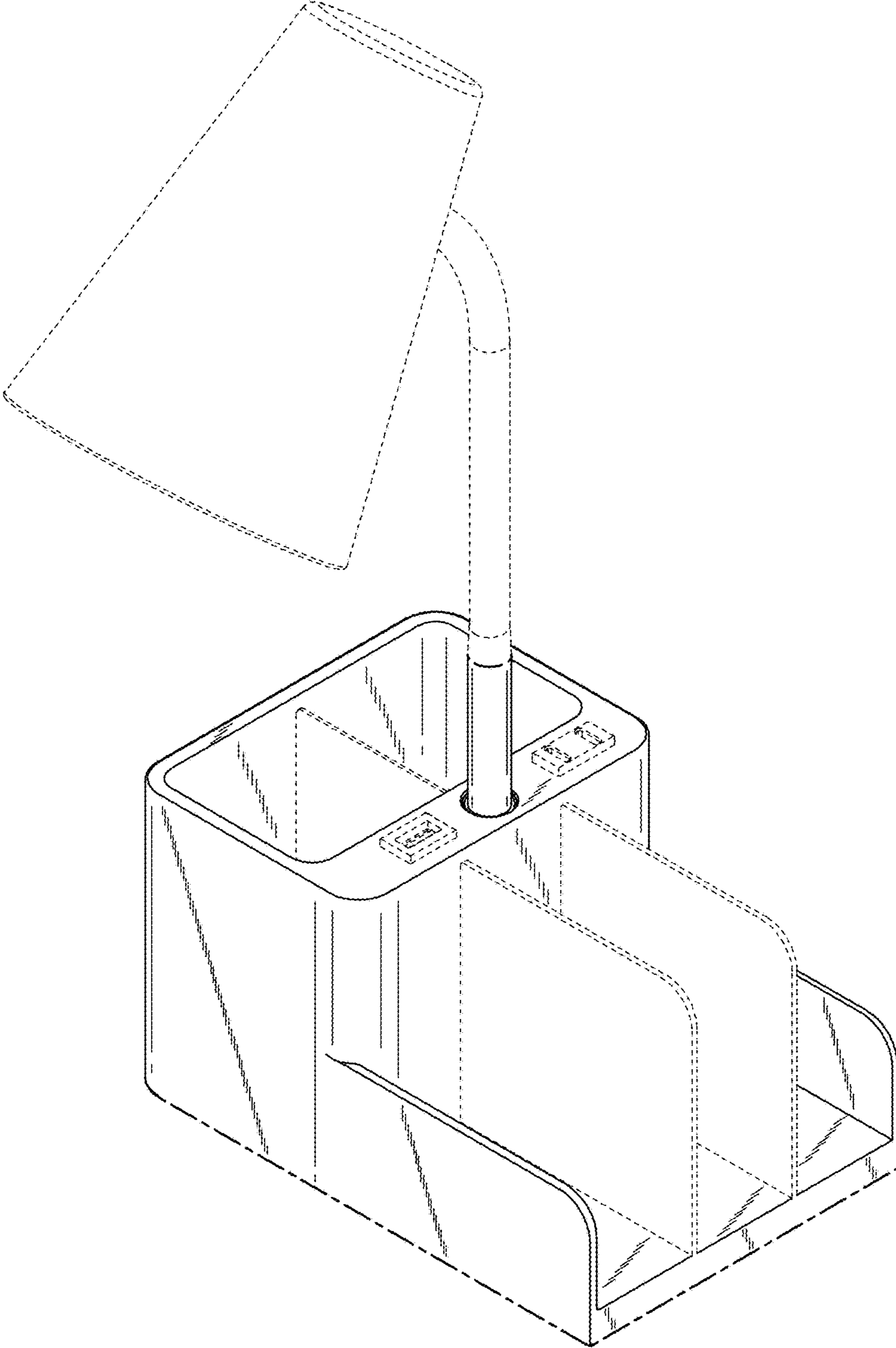


FIG. 1

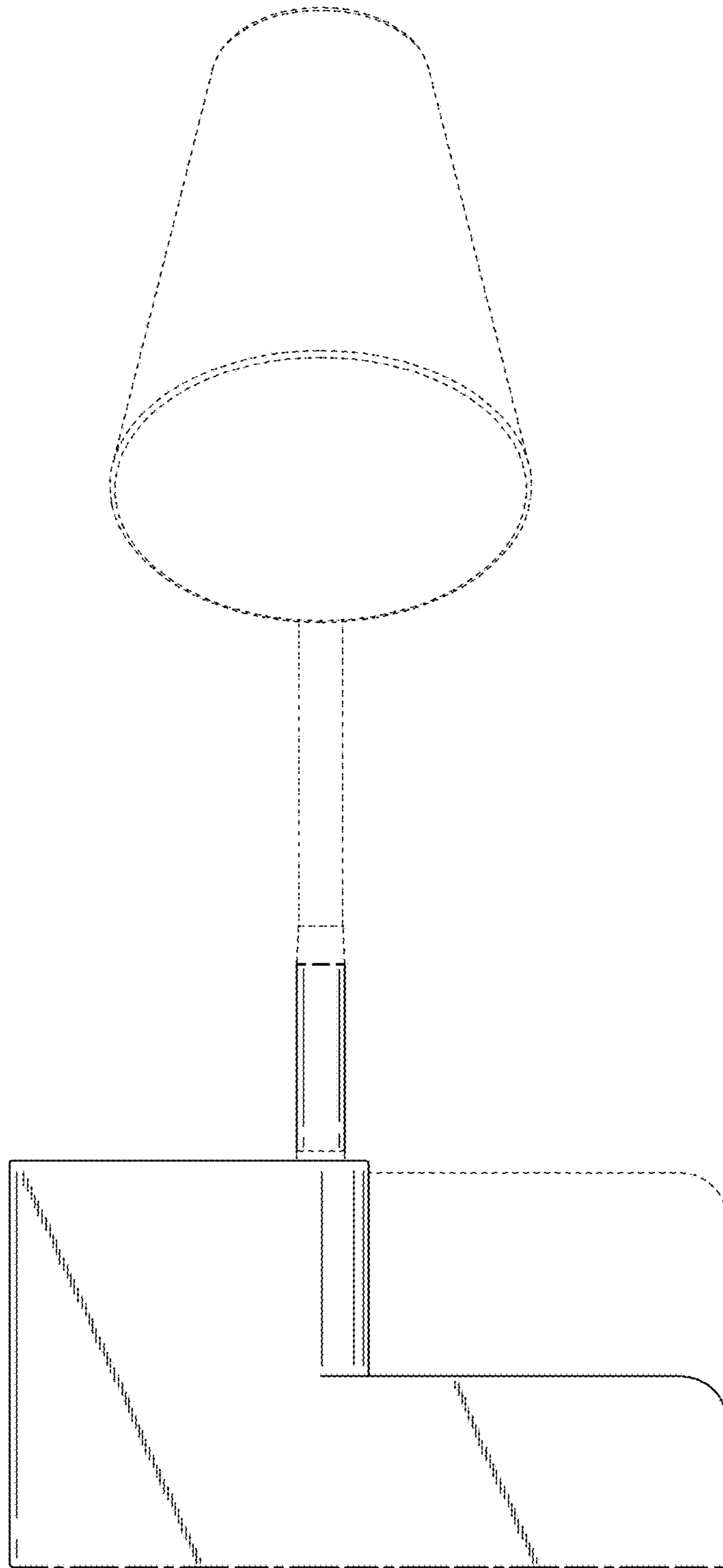


FIG. 2

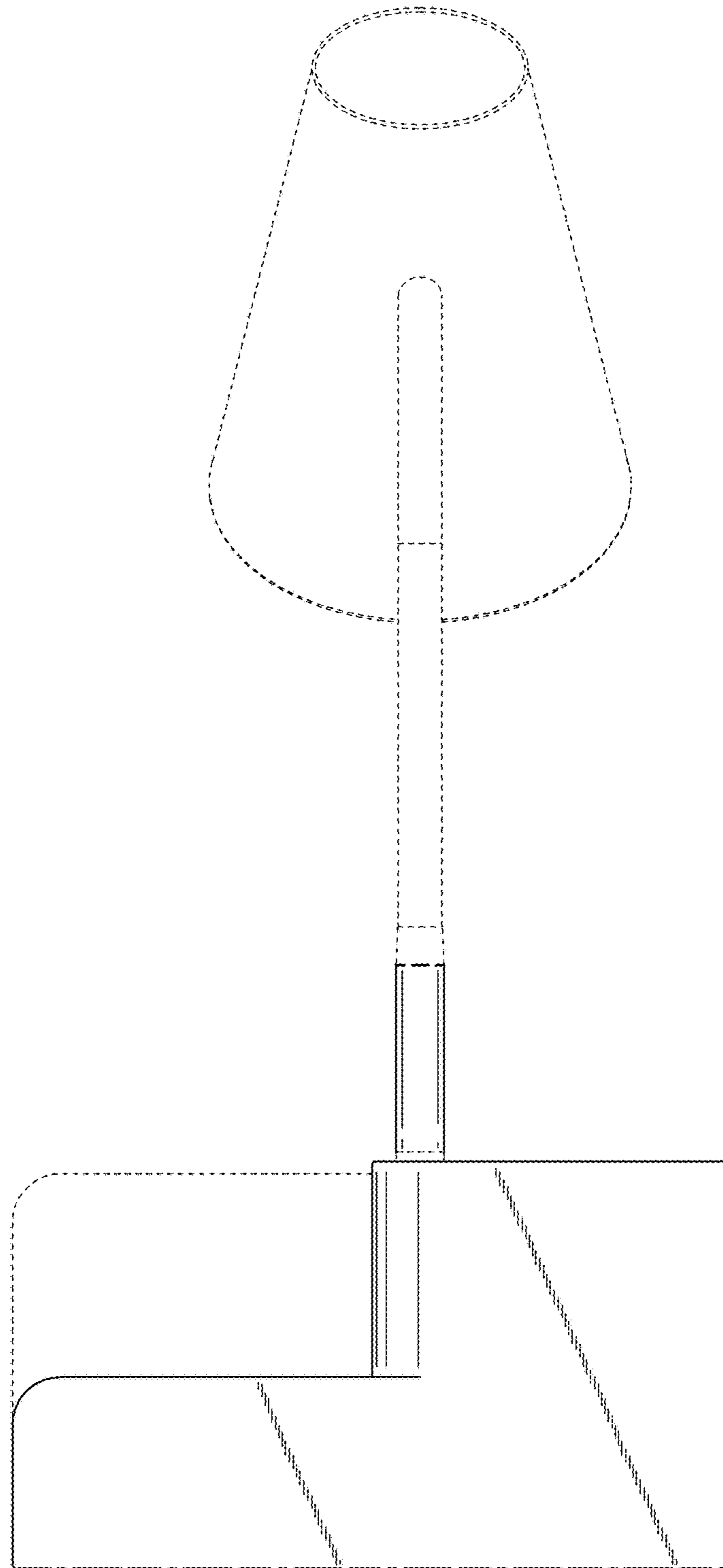


FIG. 3

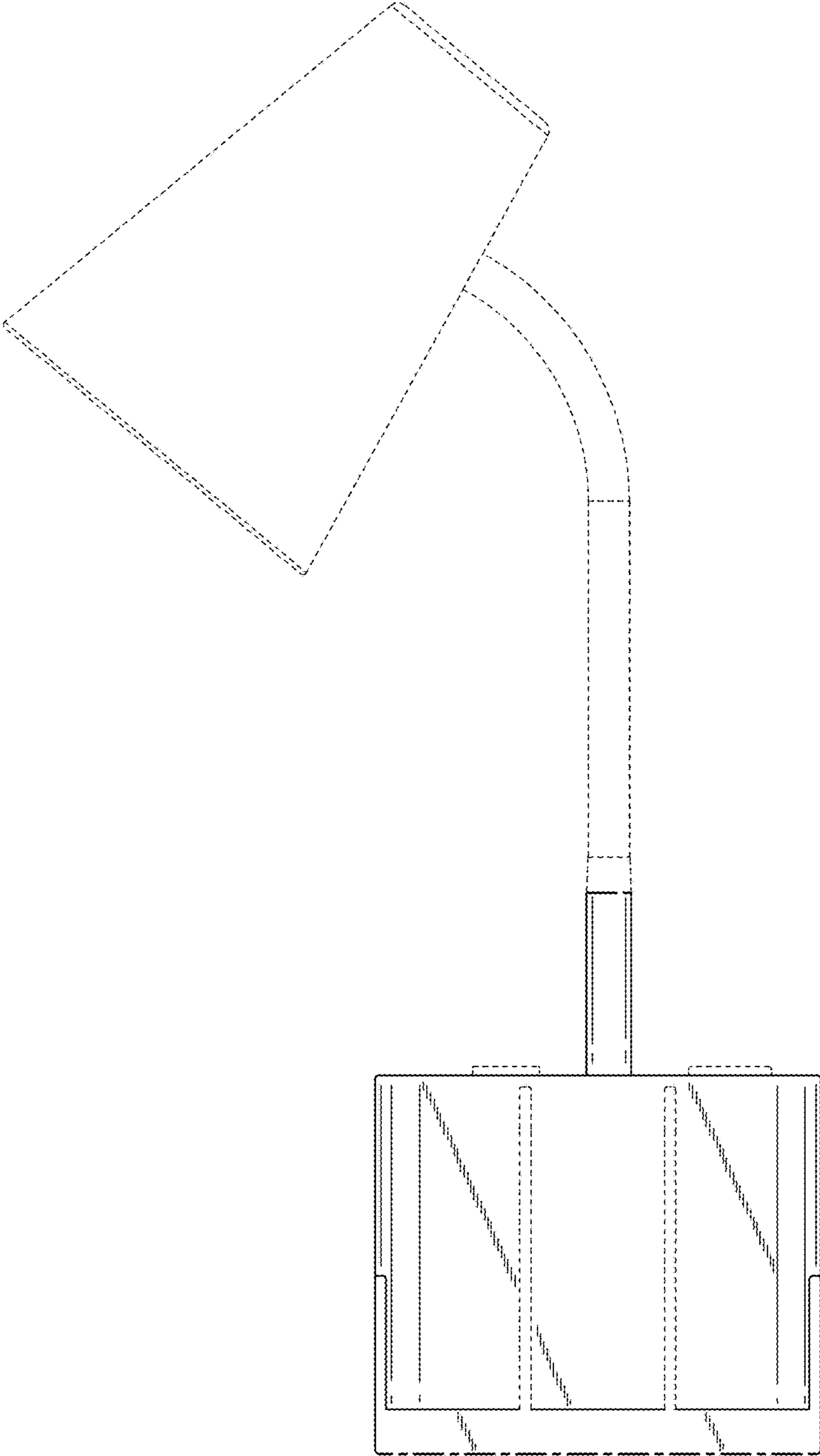


FIG. 4

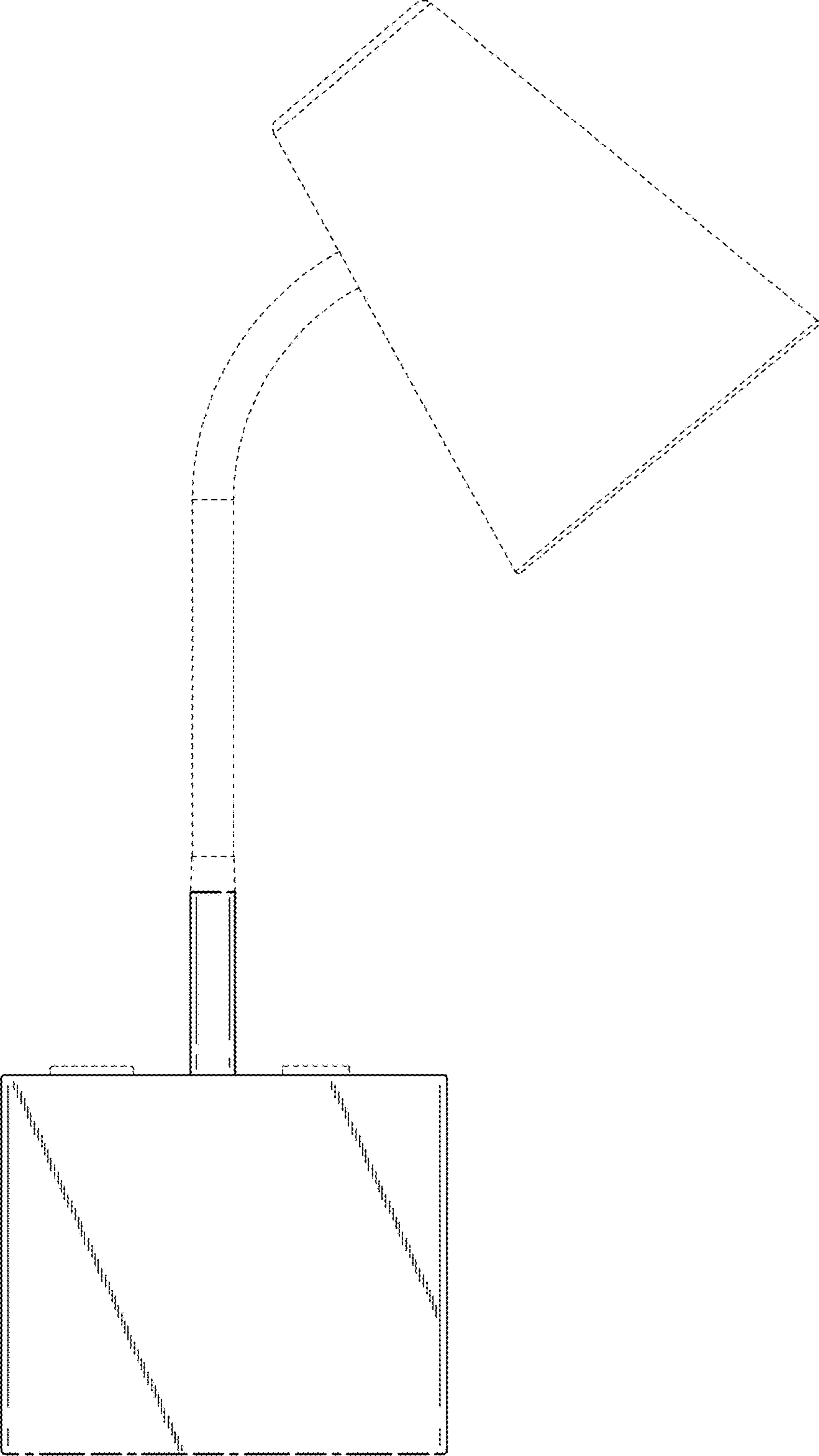


FIG. 5

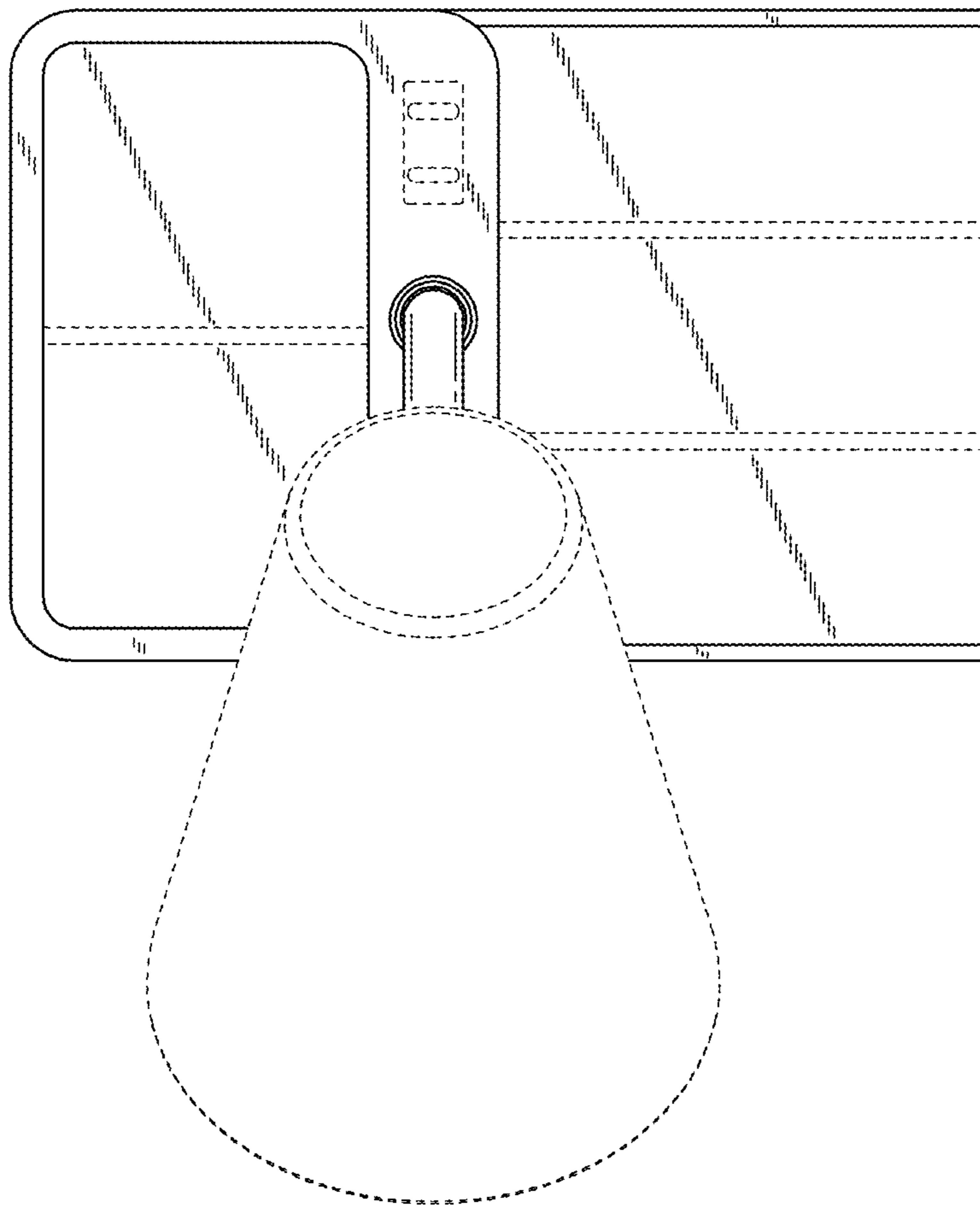


FIG. 6

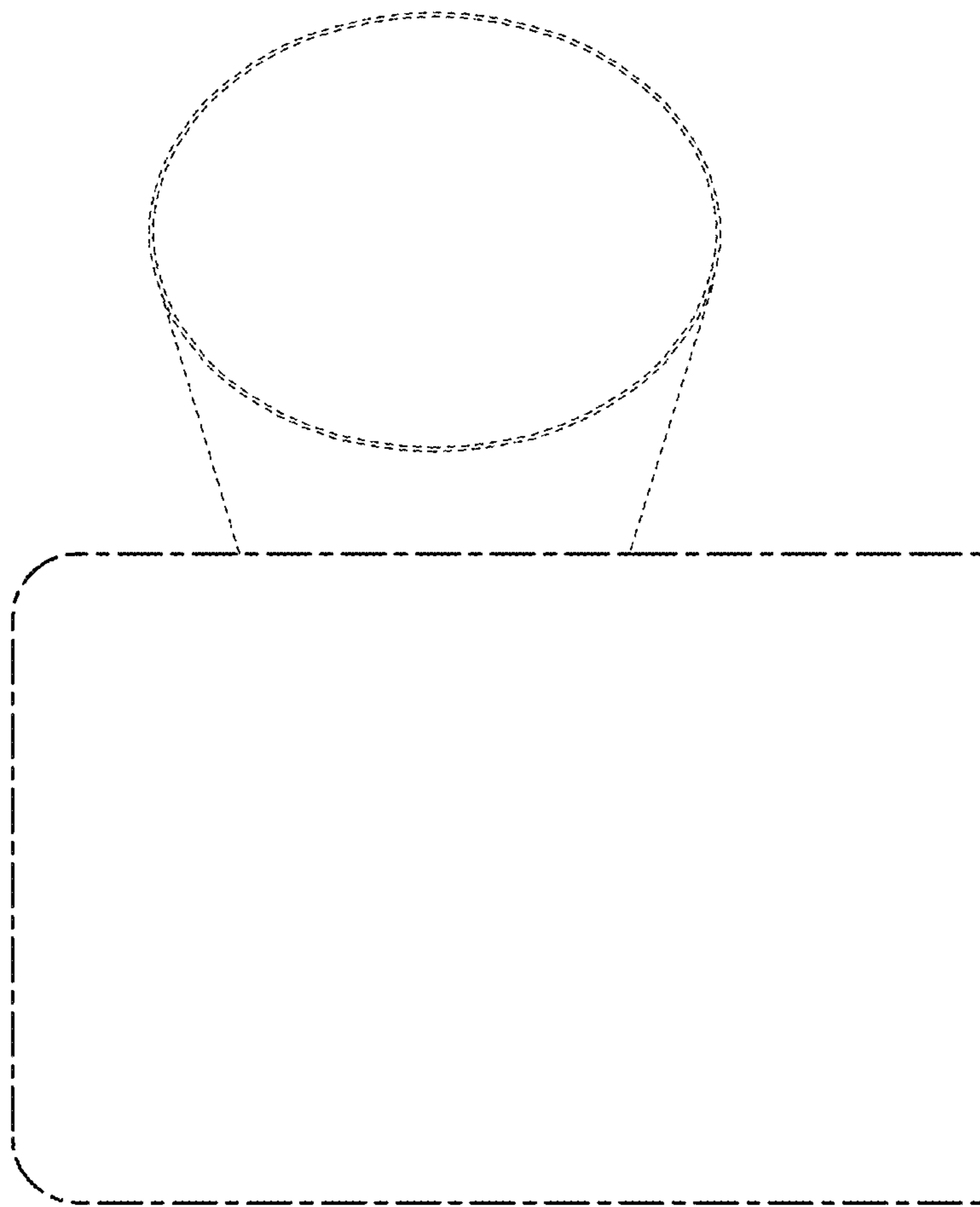


FIG. 7