



US00D819126S

(12) **United States Design Patent** (10) **Patent No.:** **US D819,126 S**
Rastatter et al. (45) **Date of Patent:** **** May 29, 2018**

(54) **MULTI-USER READING COMPREHENSION THERAPY DEVICE**

(71) Applicant: **East Carolina University**, Greenville, NC (US)

(72) Inventors: **Michael Rastatter**, Winterville, NC (US); **Todd Carter**, Greenville, NC (US); **Mark Allen**, Highlandville, MO (US); **Ricardo Rodriguez**, Raleigh, NC (US); **John Trainor**, Morrisville, NC (US)

(73) Assignee: **East Carolina University**, Greenville, NC (US)

(**) Term: **14 Years**

(21) Appl. No.: **29/502,230**

(22) Filed: **Sep. 12, 2014**

Related U.S. Application Data

(63) Continuation of application No. 29/441,307, filed on Jan. 3, 2013, now Pat. No. Des. 716,375.

(51) **LOC (11) Cl.** **19-07**

(52) **U.S. Cl.**
USPC **D19/60**

(58) **Field of Classification Search**

USPC D19/59-64; 434/112, 116, 320, 178-179, 434/185, 335-636, 156, 308, 200-201, 434/204; D13/147, 152; D14/158, 229; D21/324; 273/153 S, 153 R, 460, 273/236-237

CPC A63F 9/0807; A63F 3/00094; A63F 9/24; A63F 9/06; G09B 5/062; G09B 5/02; G09B 21/00; G09B 21/006; G09B 7/04; G09B 5/04; G09B 7/06; G09B 7/063; G09B 23/183; G09B 19/02; G09B 19/025; G09B

(Continued)

(56) **References Cited**

U.S. PATENT DOCUMENTS

34,001 A * 12/1861 Mayall A47L 23/24
15/215
1,228,391 A * 6/1917 Barr et al. G09B 19/02
434/204

(Continued)

OTHER PUBLICATIONS

Declaration of Facts Describing Field Test of Prototype, executed Jan. 28, 2013, 3 pages.

Primary Examiner — Ian Simmons

Assistant Examiner — Mark Cavanna

(74) *Attorney, Agent, or Firm* — Myers Bigel, P.A.

(57) **CLAIM**

The ornamental design for a multi-user reading comprehension therapy device, as shown and described.

DESCRIPTION

FIG. 1 is a side perspective view of a multi-user reading comprehension therapy device, showing our design;

FIG. 2 is a top view thereof;

FIG. 3 is a front view thereof;

FIG. 4 is a bottom view thereof;

FIG. 5 is a rear view thereof;

FIG. 6 is a right side, in the orientation of FIG. 2, view thereof;

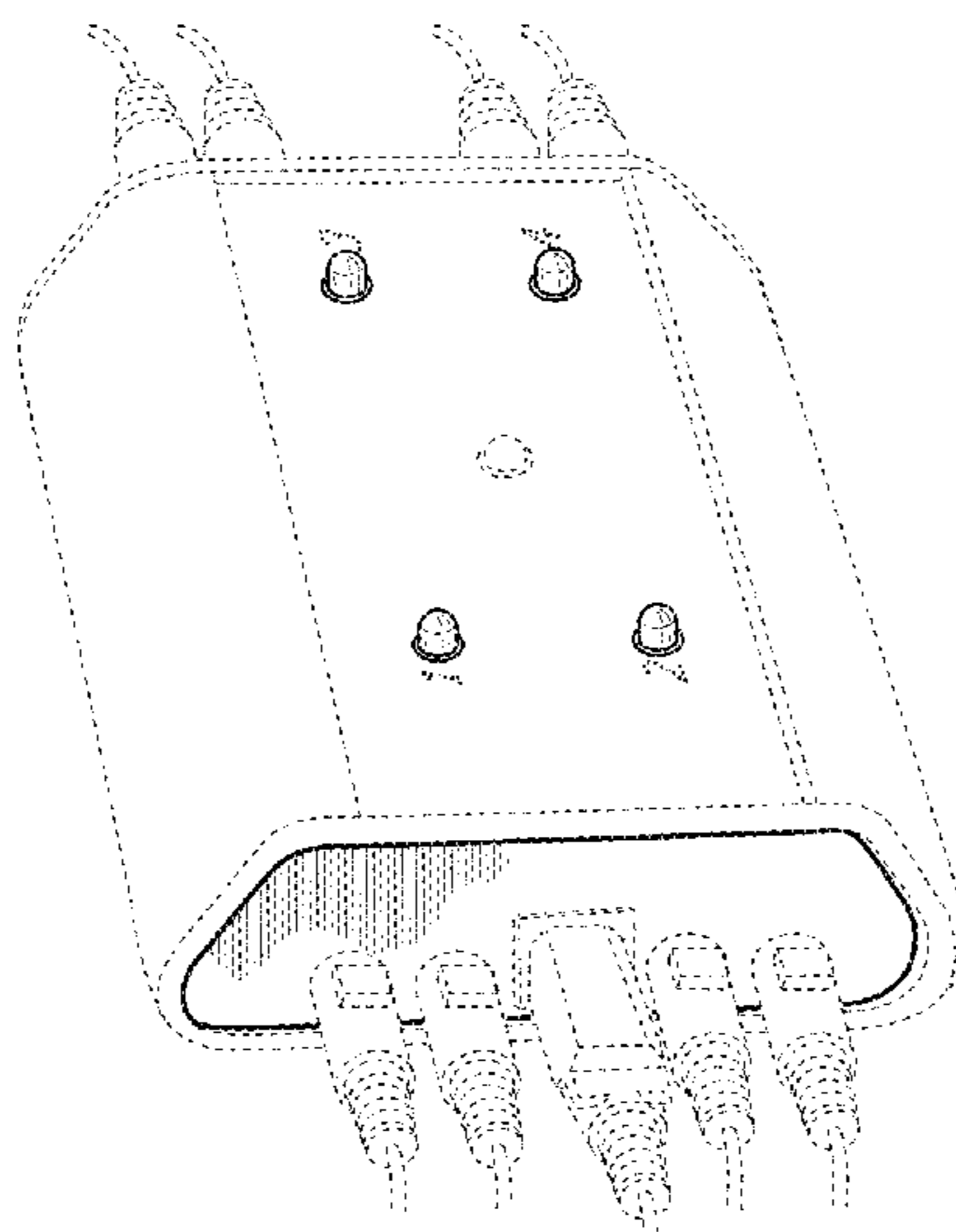
FIG. 7 is a left side, in the orientation of FIG. 2, view thereof;

FIG. 8 is a front perspective environmental view thereof; and,

FIG. 9 is a top side different environmental view thereof.

The broken lines in the drawings are for purposes of illustrating portions of the multi-user reading comprehension therapy device, as well as environmental structure, which form no part of the claimed design.

1 Claim, 5 Drawing Sheets



US D819,126 S

(58) **Field of Classification Search**
 CPC . 17/00–17/006; H01R 13/6205; A61B 5/1176
 See application file for complete search history.

(56) **References Cited**

U.S. PATENT DOCUMENTS

| | | | | |
|-----------|------|---------|---------------------|---------------------------|
| 1,874,480 | A | 8/1932 | Filene | |
| 2,512,837 | A * | 6/1950 | Pescatori | G09B 19/025 434/201 |
| 3,314,172 | A * | 4/1967 | Boyett | G09B 7/073 434/336 |
| 3,958,344 | A * | 5/1976 | Lesiak | G09B 19/02 434/200 |
| 4,323,243 | A * | 4/1982 | Hanson | A63F 9/0807 273/153 S |
| 4,513,973 | A * | 4/1985 | Sinclair | A63F 3/00094 273/153 R |
| 4,809,979 | A * | 3/1989 | Skowronski | A63F 9/24 273/460 |
| D303,246 | S | 9/1989 | Freeman et al. | D13/147 |
| 4,957,291 | A * | 9/1990 | Miffitt | A63F 9/06 273/460 |
| D372,703 | S | 8/1996 | Hannon et al. | D13/152 |
| 5,765,134 | A | 6/1998 | Kehoe | |
| 5,794,203 | A | 8/1998 | Kehoe | |
| 6,004,135 | A * | 12/1999 | Trattner | G09B 5/062 434/156 |
| 6,213,467 | B1 * | 4/2001 | Andrews | A63F 3/00643 273/236 |
| D461,453 | S | 8/2002 | Chen | D13/147 |

| | | | | |
|--------------|------|---------|-------------------|----------------------|
| D462,953 | S | 9/2002 | Jang | D14/299 |
| D462,954 | S | 9/2002 | Chen | D14/299 |
| 6,644,973 | B2 | 11/2003 | Oster | |
| D485,830 | S | 1/2004 | Chen | D14/240 |
| D487,074 | S | 2/2004 | McGoldrick | D14/158 |
| D499,150 | S * | 11/2004 | Brase | D21/324 |
| D503,384 | S | 3/2005 | Weatherley | D13/147 |
| 6,925,185 | B2 | 8/2005 | Chung | |
| D521,504 | S | 5/2006 | Nagel et al. | D14/240 |
| D531,129 | S | 10/2006 | Muto | D13/152 |
| D545,768 | S | 7/2007 | Hsu | D13/147 |
| D553,572 | S | 10/2007 | Yi et al. | D13/147 |
| D566,045 | S | 4/2008 | Chang | D13/147 |
| D595,239 | S | 6/2009 | Inoue et al. | D13/158 |
| D600,213 | S | 9/2009 | Inoue et al. | D13/158 |
| 7,828,712 | B2 | 11/2010 | Rastatter et al. | |
| 8,036,896 | B2 | 10/2011 | Adams, Jr. et al. | |
| D699,299 | S | 2/2014 | Bruker | D19/60 |
| 9,419,378 | B2 * | 8/2016 | Bdeir | H01R 13/6205 |
| 2002/0116462 | A1 | 8/2002 | DiGiano et al. | |
| 2005/0095564 | A1 | 5/2005 | Stuart | |
| 2005/0171926 | A1 | 8/2005 | Thione et al. | |
| 2006/0089522 | A1 | 4/2006 | Rastatter et al. | |
| 2007/0049788 | A1 | 3/2007 | Kalinowski et al. | |
| 2007/0244703 | A1 | 10/2007 | Adams, Jr. et al. | |
| 2007/0250761 | A1 | 10/2007 | Bradley et al. | |
| 2008/0003559 | A1 | 1/2008 | Toyama et al. | |
| 2008/0177822 | A1 | 7/2008 | Yoneda | |
| 2010/0100388 | A1 | 4/2010 | Kehoe | |
| 2010/0248203 | A1 * | 9/2010 | Cho | G09B 5/02 434/308 |
| 2014/0323036 | A1 | 10/2014 | Daley et al. | |

* cited by examiner

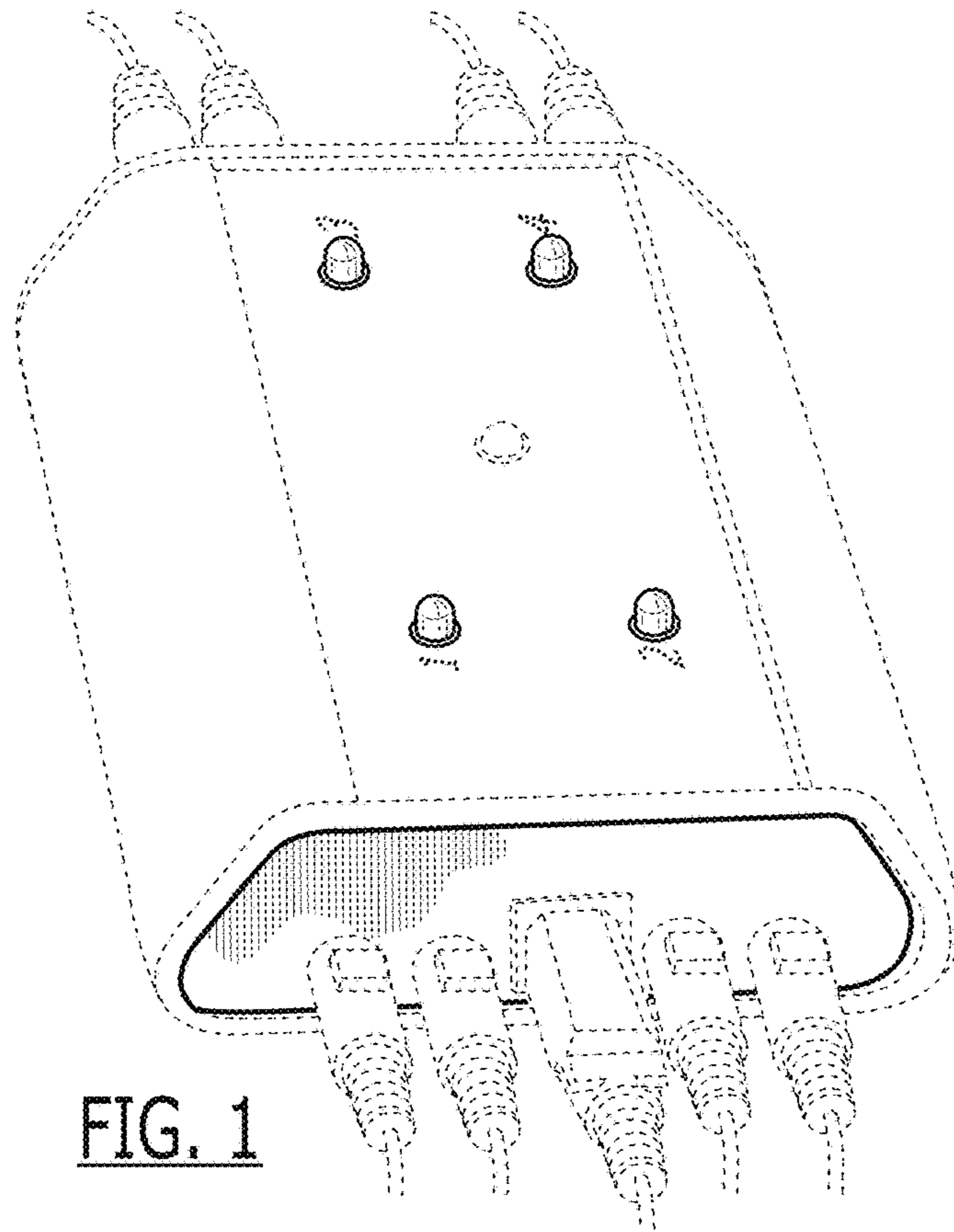


FIG. 1

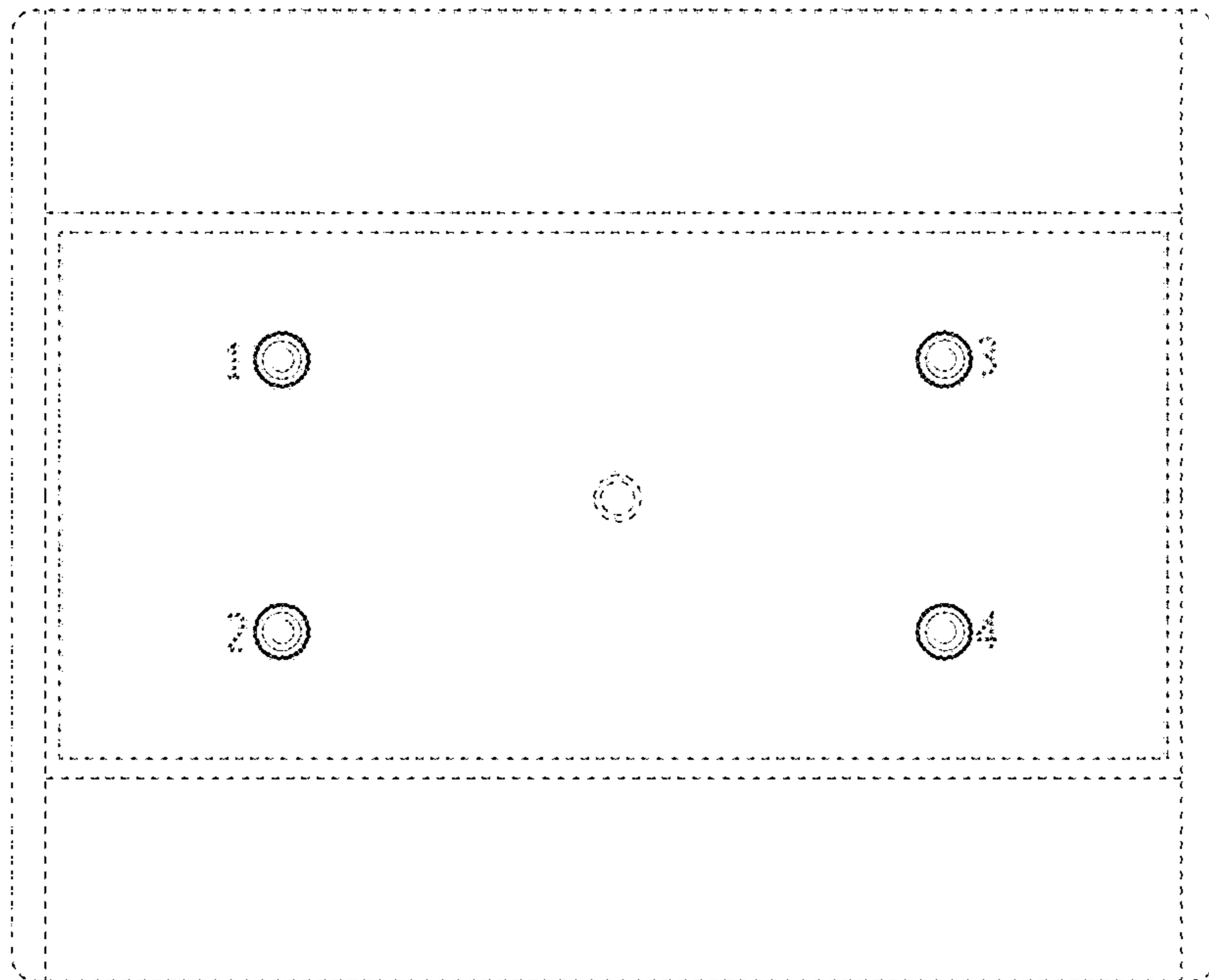


FIG. 2

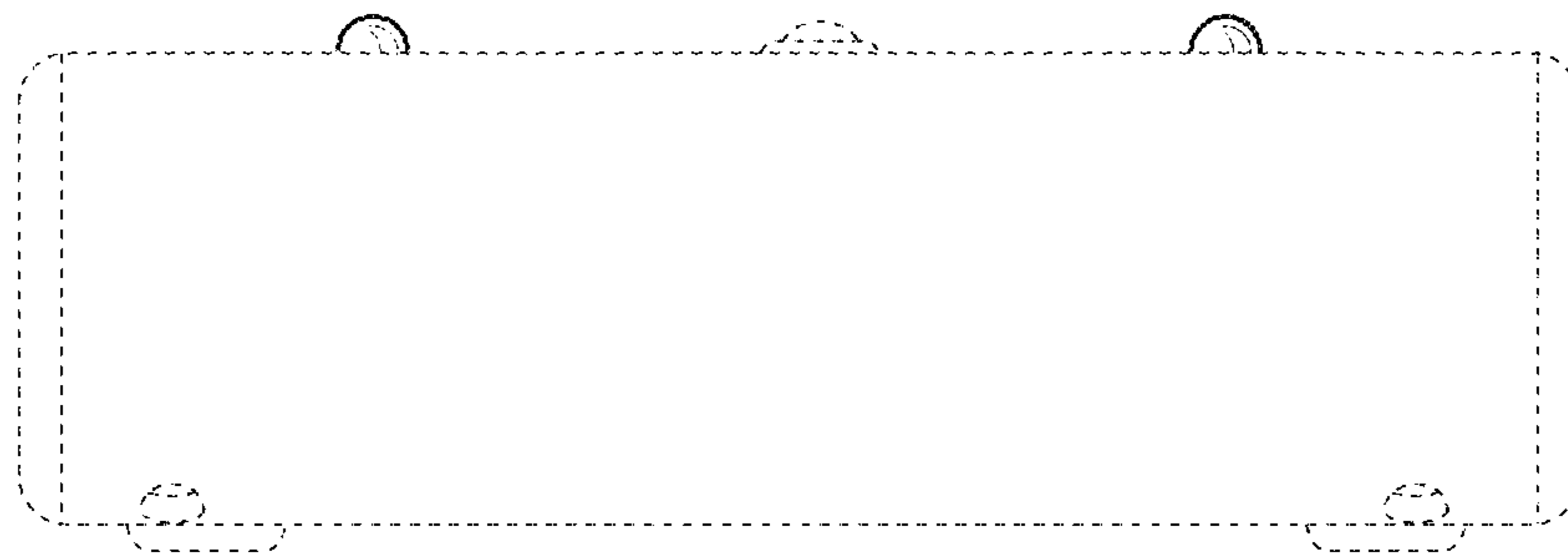


FIG. 3

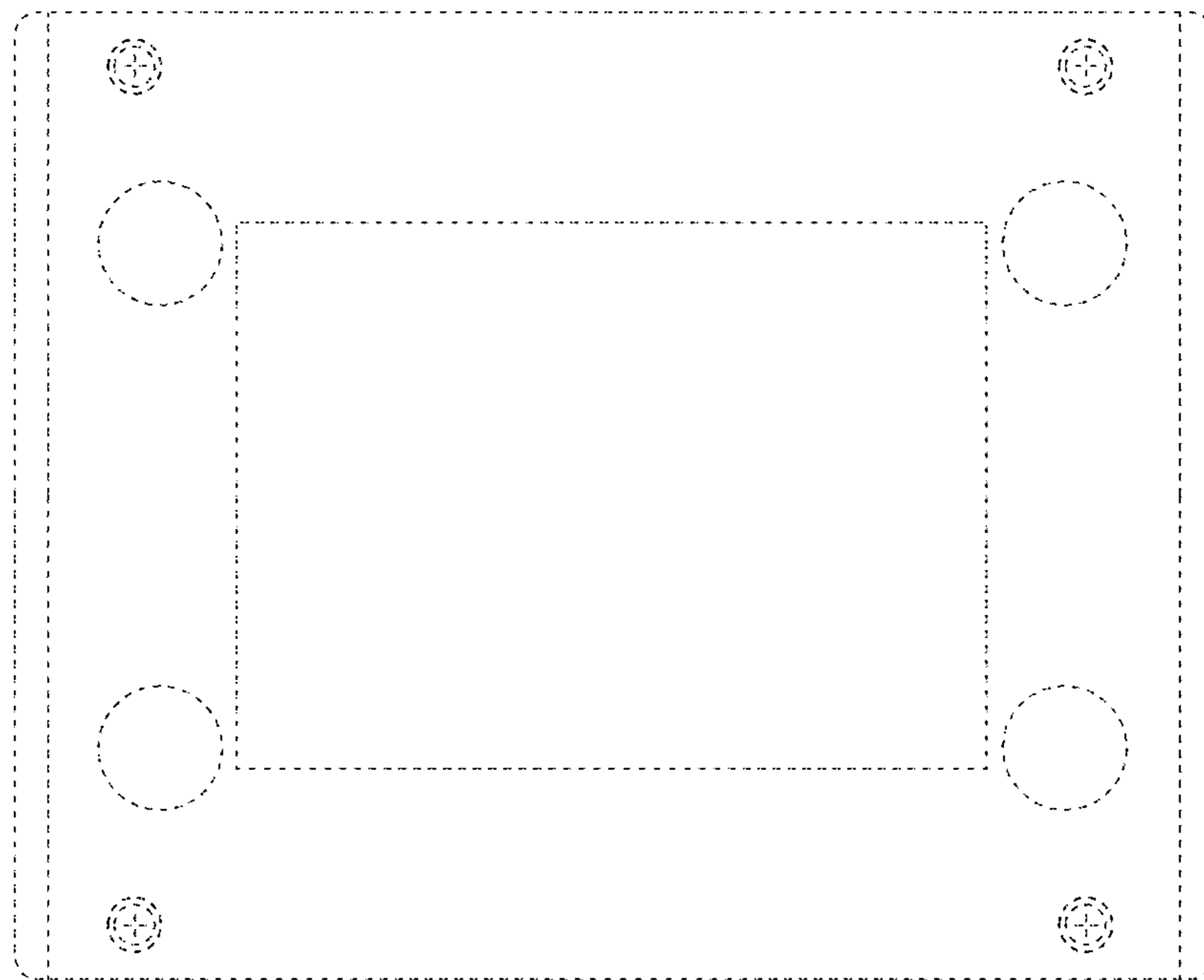


FIG. 4

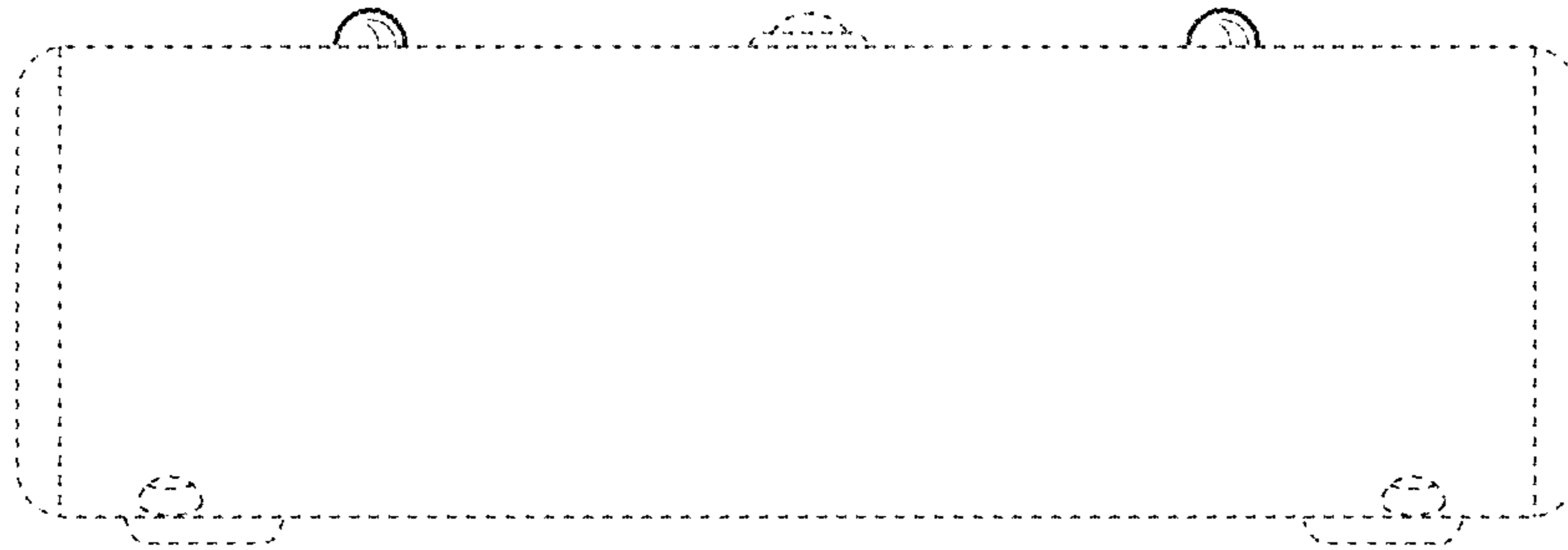


FIG. 5

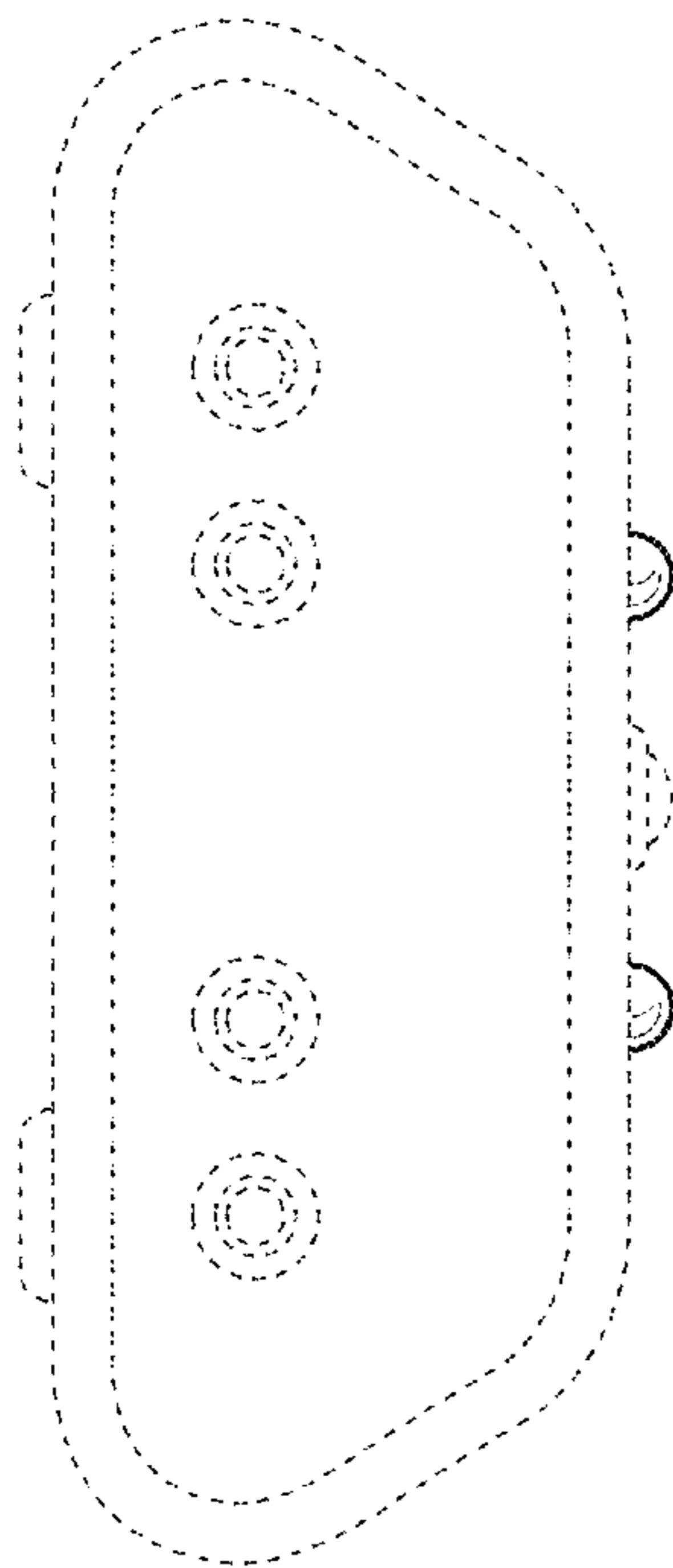


FIG. 6

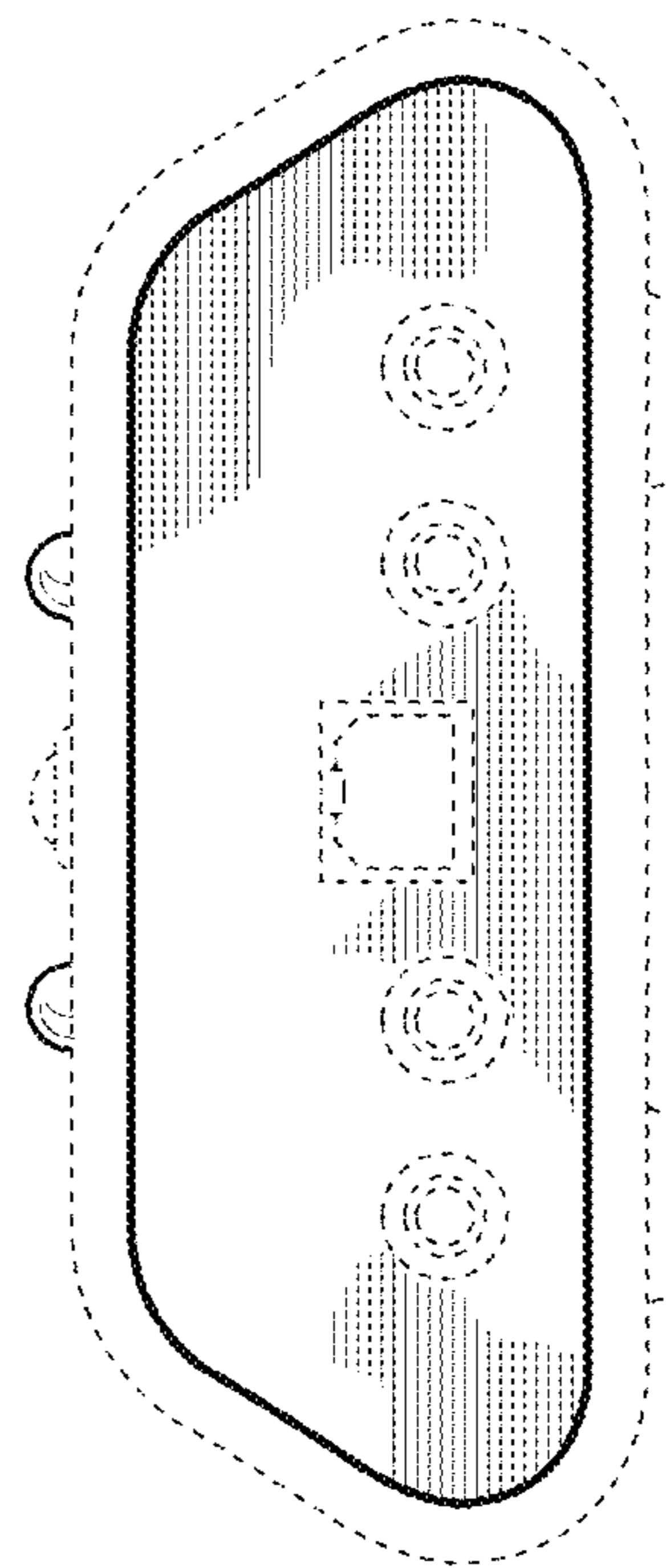


FIG. 7

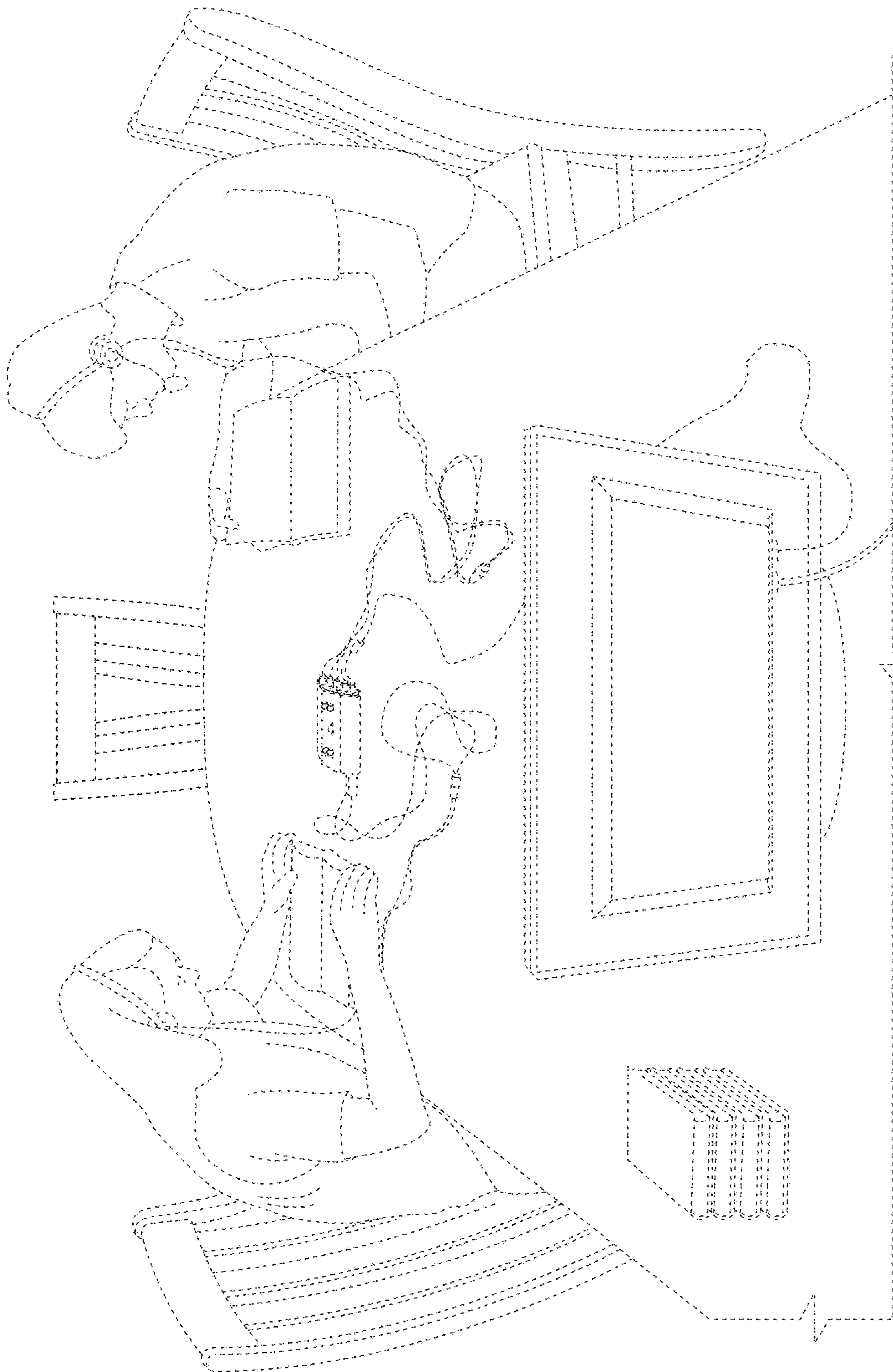


FIG. 8

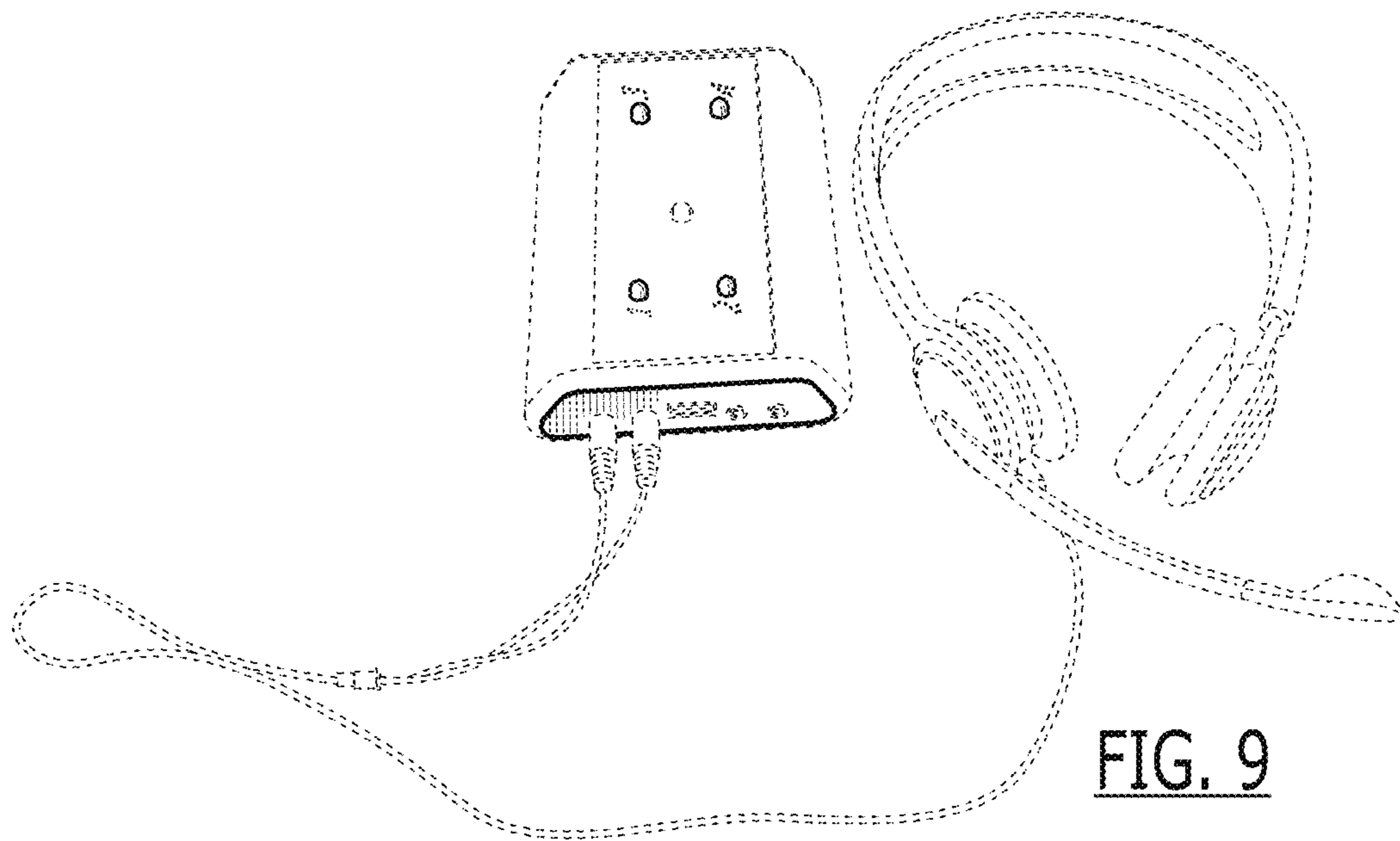


FIG. 9