



US00D819125S

(12) **United States Design Patent**  
**Racamier**

(10) **Patent No.:** **US D819,125 S**

(45) **Date of Patent:** **\*\* May 29, 2018**

(54) **COMPASS**

(71) Applicant: **MAPED**, Argonay (FR)

(72) Inventor: **Daniel Racamier**, La Balme de Sillingy (FR)

(73) Assignee: **MAPED**, Argonay (FR)

(\*\*) Term: **15 Years**

(21) Appl. No.: **29/583,700**

(22) Filed: **Nov. 8, 2016**

(51) **LOC (11) Cl.** ..... **19-06**

(52) **U.S. Cl.**  
USPC ..... **D19/38**

(58) **Field of Classification Search**  
USPC ..... D19/37-40  
CPC ..... G01B 3/16; G01B 3/163; G01B 3/166  
See application file for complete search history.

(56) **References Cited**

**U.S. PATENT DOCUMENTS**

D246,981 S *	1/1978	Yamaguchi	.....	D19/38
4,150,486 A *	4/1979	Payton	.....	B43L 9/24 33/27.02
D322,630 S *	12/1991	Ching-Guang	.....	D19/38
D365,120 S *	12/1995	Narubin	.....	D19/38
D420,703 S *	2/2000	Shapiro	.....	D19/38
D456,039 S *	4/2002	Bardet	.....	D19/38
D469,804 S *	2/2003	Bardet	.....	D19/38
D470,178 S *	2/2003	Racamier	.....	D19/38
D504,914 S *	5/2005	Racamier	.....	D19/38
D554,181 S *	10/2007	Shapiro	.....	D19/38

D764,588 S \* 8/2016 Racamier ..... D19/38

\* cited by examiner

*Primary Examiner* — Daniel D Bui

*Assistant Examiner* — Andrew Kerr

(74) *Attorney, Agent, or Firm* — Cantor Colburn LLP

(57) **CLAIM**

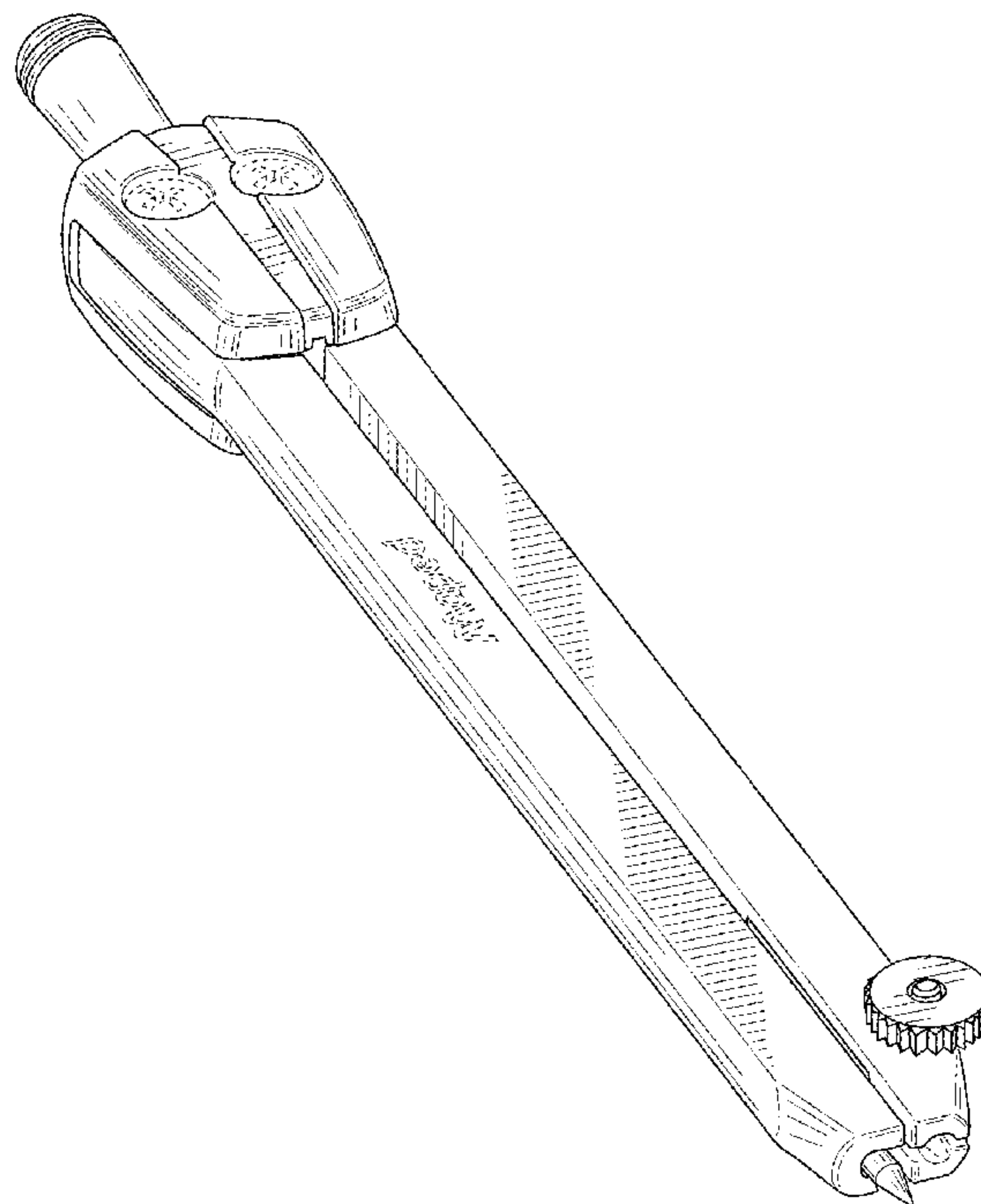
I claim, the ornamental design for a compass, as shown and described.

**DESCRIPTION**

FIG. 1 is a front perspective view of a compass, showing my new design;  
 FIG. 2 is another front perspective view thereof showing the compass in a different orientation;  
 FIG. 3 is a rear perspective view of the compass of FIG. 1;  
 FIG. 4 is a left side elevation view thereof;  
 FIG. 5 is a right side elevation view thereof;  
 FIG. 6 is a top plan view thereof;  
 FIG. 7 is a bottom plan view thereof;  
 FIG. 8 is a front perspective view of another embodiment thereof;  
 FIG. 9 is another front perspective view thereof showing the compass in a different orientation;  
 FIG. 10 is a left side elevation view thereof;  
 FIG. 11 is a right side elevation view thereof;  
 FIG. 12 is a top plan view thereof; and,  
 FIG. 13 is a bottom plan view thereof.

The broken lines in the drawing views represent unclaimed portions of a compass, which are included for the purpose of illustrating unclaimed environment only, and forms no part of the claimed design.

**1 Claim, 13 Drawing Sheets**



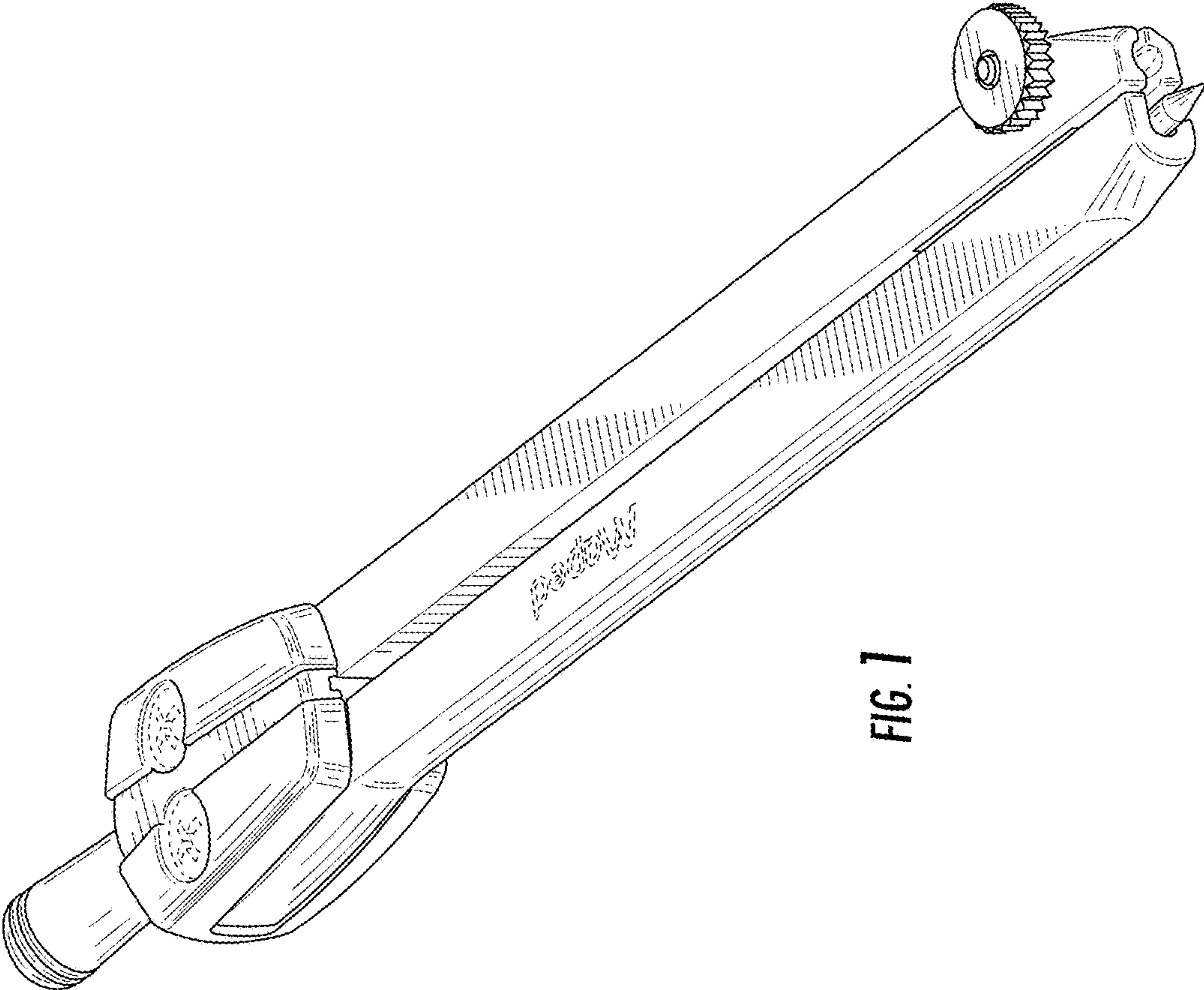


FIG. 1

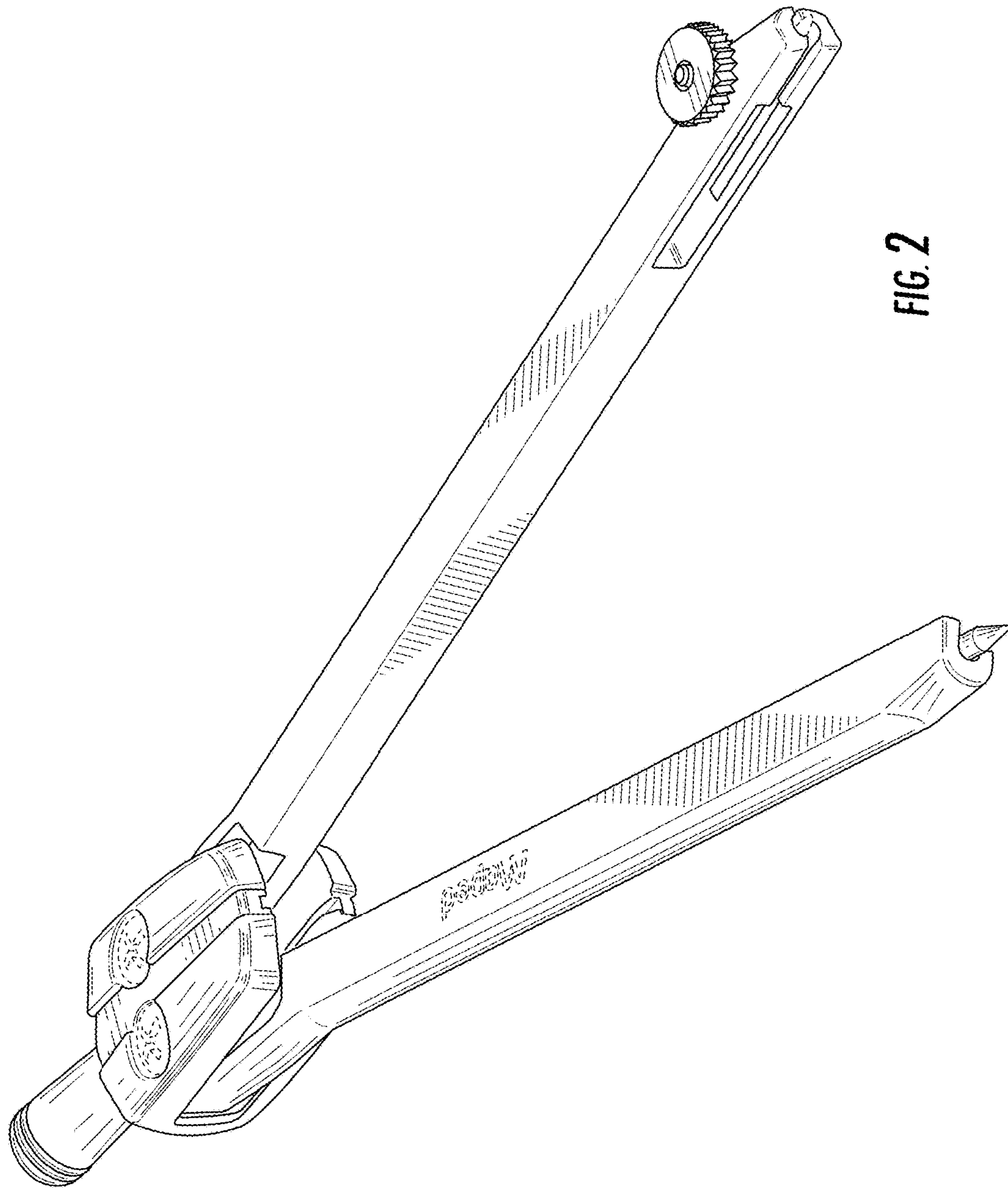


FIG. 2

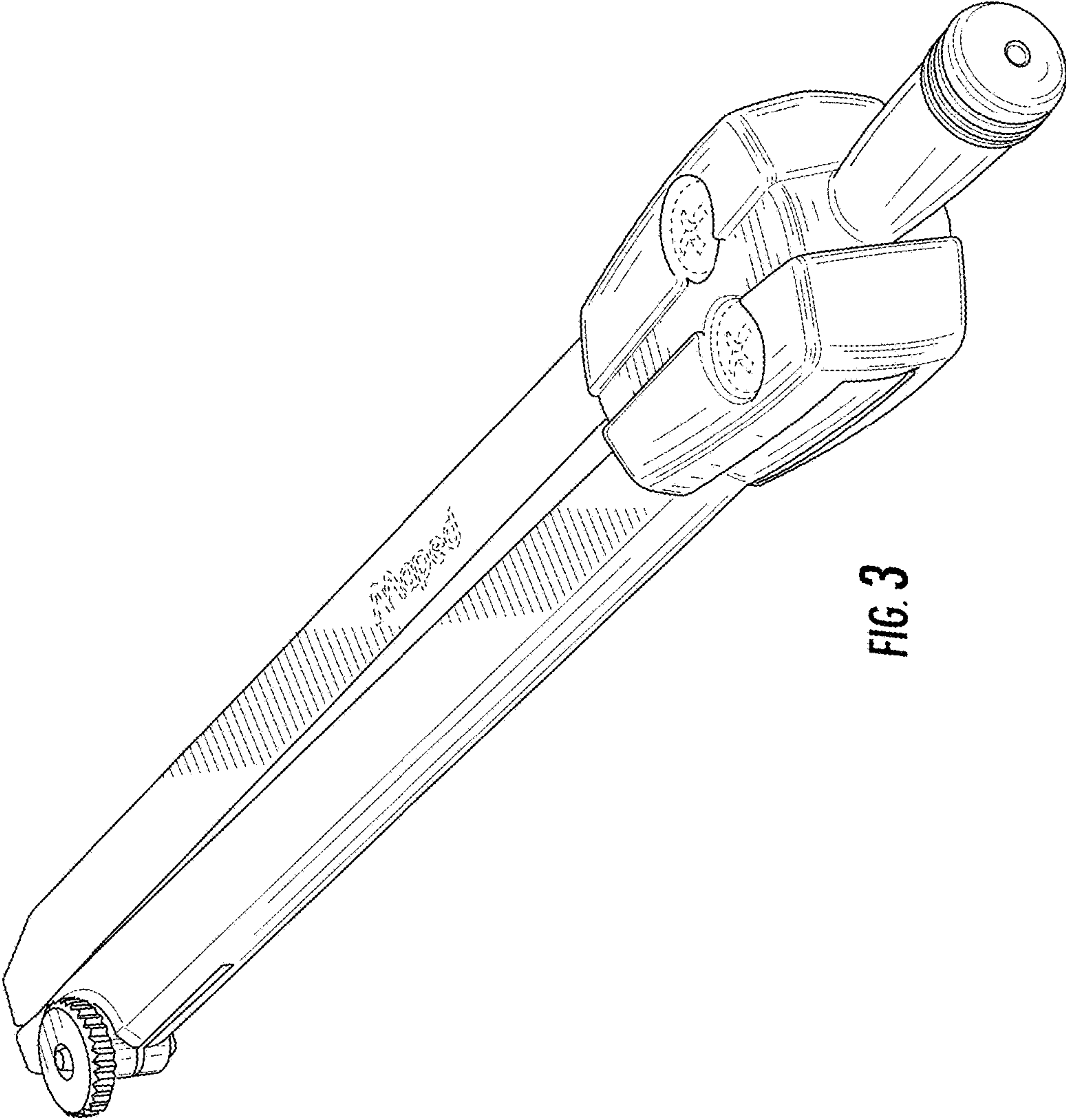


FIG. 3



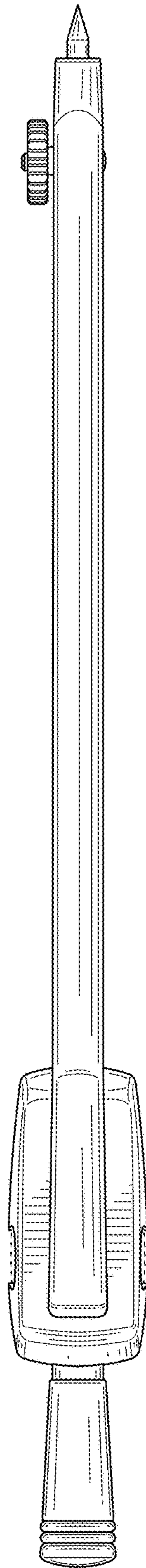


FIG. 4

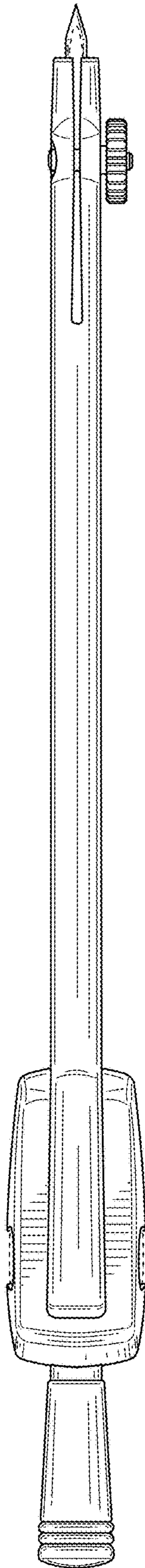


FIG. 5

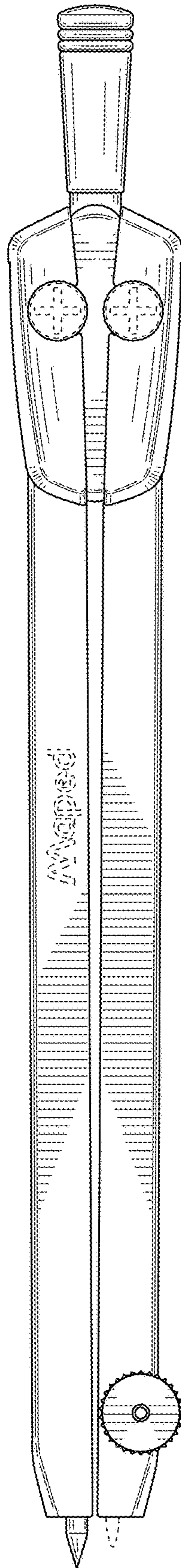


FIG. 6

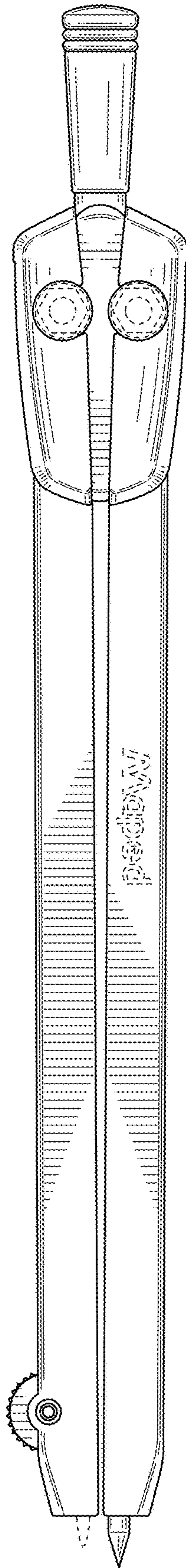


FIG. 7



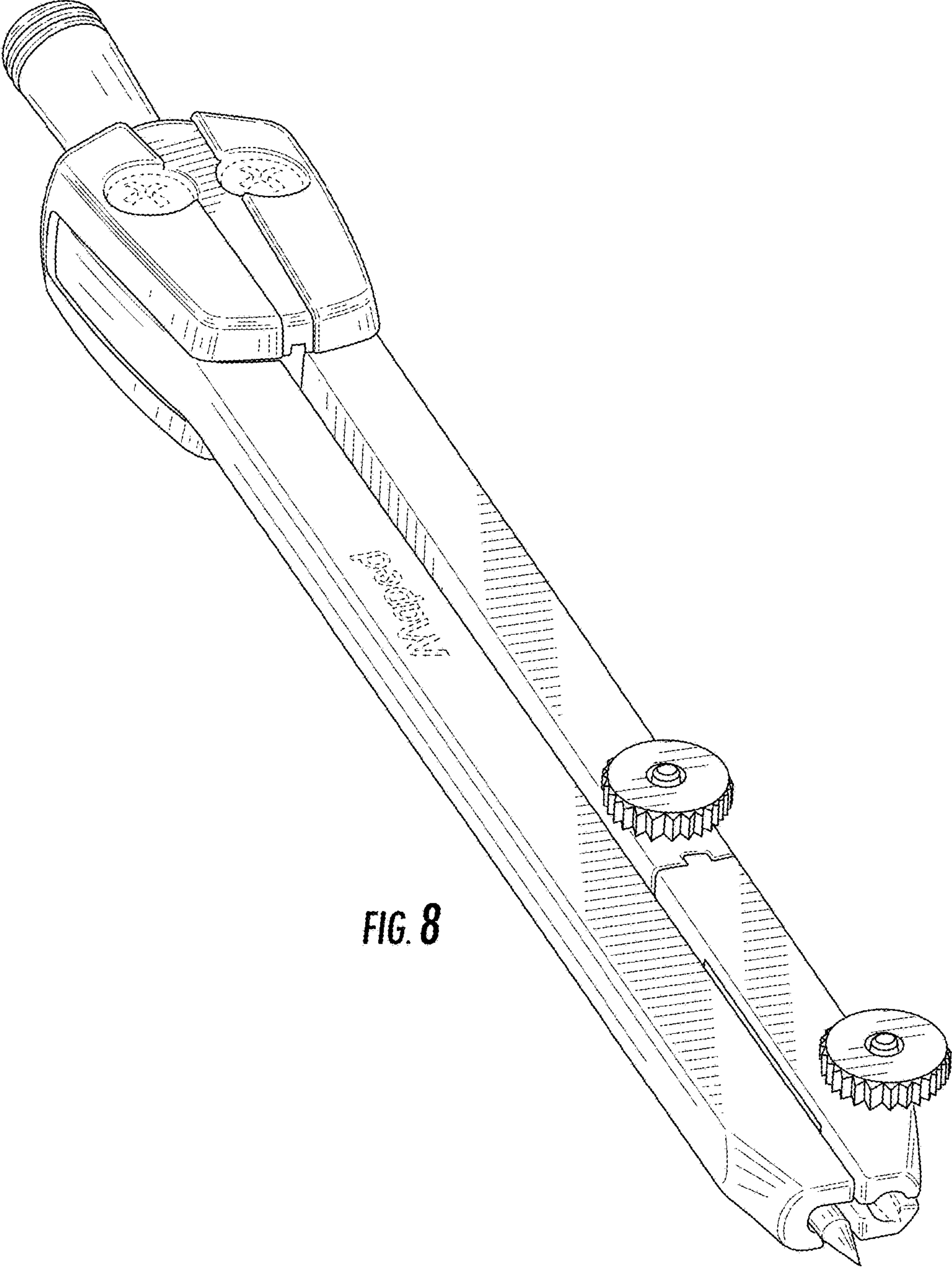


FIG. 8

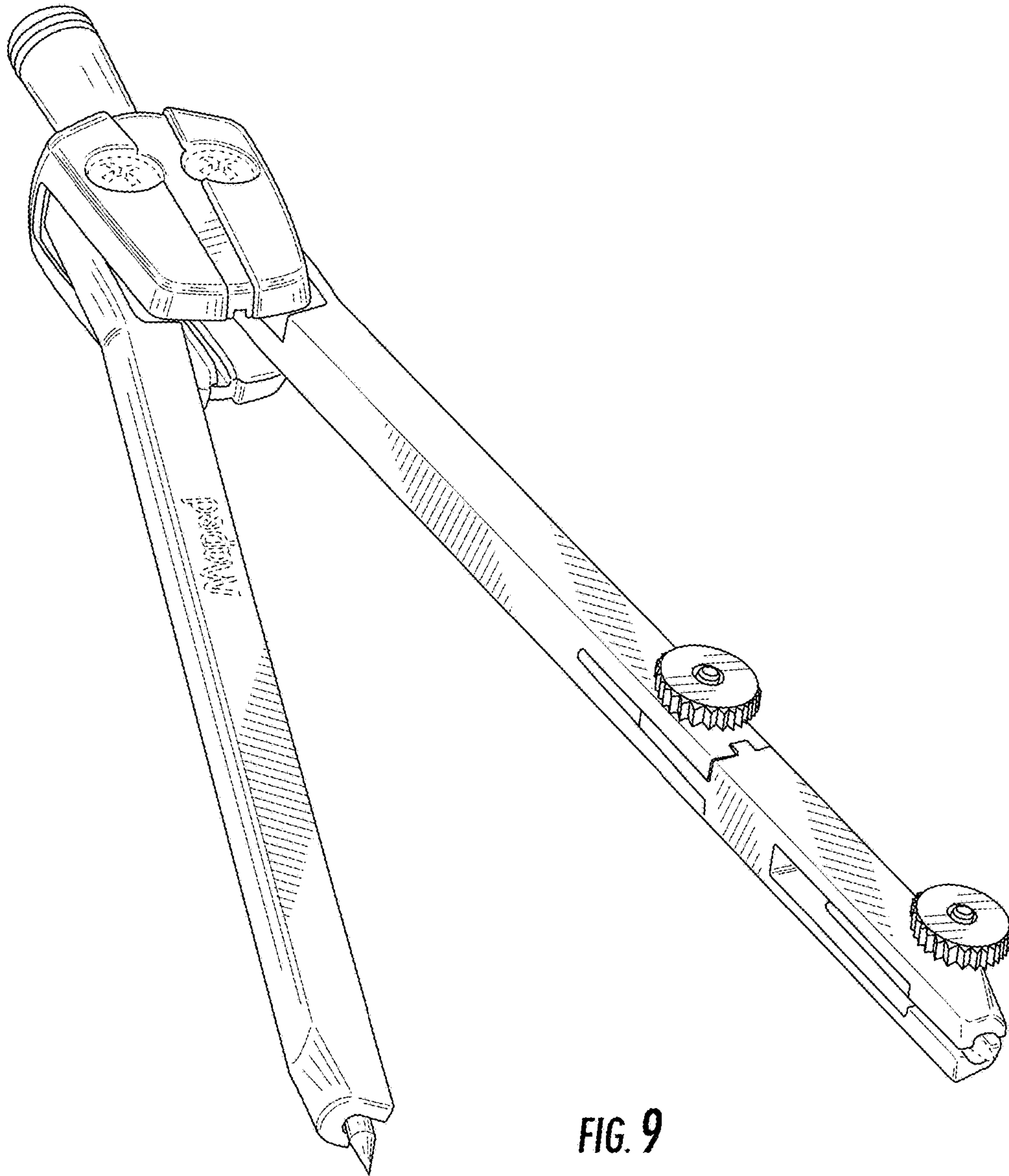
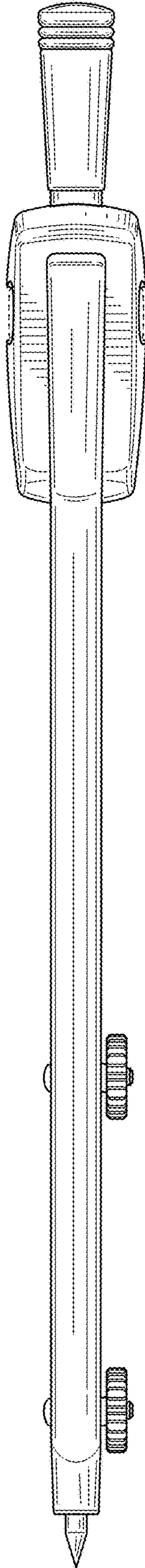
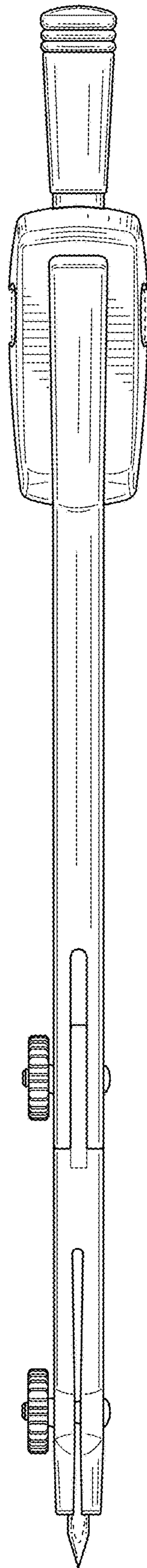


FIG. 9



**FIG. 10**



**FIG. 11**

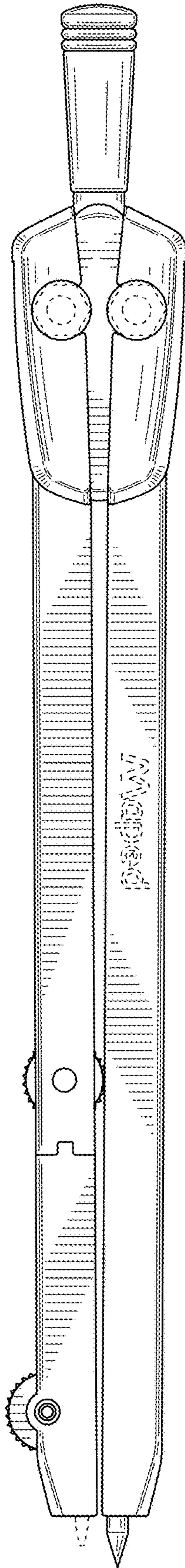


FIG. 12



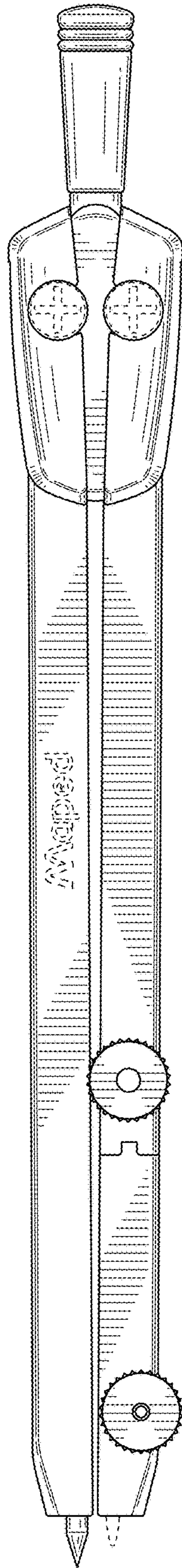


FIG. 13