



US00D819124S

(12) **United States Design Patent** (10) **Patent No.:** **US D819,124 S**
Brown et al. (45) **Date of Patent:** **** May 29, 2018**

- (54) **DOCUMENT HANDLER FOR A MULTIFUNCTION PRINTING MACHINE**
- (71) Applicant: **XEROX CORPORATION**, Norwalk, CT (US)
- (72) Inventors: **Donald A Brown**, Honeoye Falls, NY (US); **Megumi Okubo**, Kanagawa (JP); **Ohgi Kazuyuki**, Kanagawa (JP); **Ko Takeuchi**, Yokohama (JP)
- (73) Assignee: **Xerox Corporation**, Norwalk, CT (US)
- (**) Term: **15 Years**
- (21) Appl. No.: **29/594,199**
- (22) Filed: **Feb. 16, 2017**

Related U.S. Application Data

- (62) Division of application No. 29/575,292, filed on Aug. 24, 2016.
- (51) **LOC (11) Cl.** **18-02**
- (52) **U.S. Cl.**
USPC **D18/55; D18/50**
- (58) **Field of Classification Search**
USPC D18/55, 50, 36-37, 39, 49;
D14/520-525
CPC G06K 15/12; G06K 15/14; B41J 15/12;
B41J 15/042; B41J 11/58
See application file for complete search history.

(56) **References Cited**

U.S. PATENT DOCUMENTS

D544,532 S *	6/2007	Matsumoto	D18/49
D548,776 S *	8/2007	Egami	D18/50
D573,145 S *	7/2008	Laidlaw	D14/421
D584,349 S *	1/2009	Tani	D18/55
D584,766 S *	1/2009	Tani	D18/55

D603,863 S *	11/2009	Sugitani	D14/421
D618,276 S *	6/2010	Sasaki	D14/421
D622,272 S *	8/2010	Machida	D14/421
D622,762 S *	8/2010	Egami	D18/55
D718,313 S *	11/2014	Goh	D14/421
D724,142 S *	3/2015	Kim	D18/55
D726,251 S *	4/2015	Kim	D18/55
D730,356 S *	5/2015	Sato	D14/421
D733,712 S *	7/2015	Nakagawa	D14/421
D734,338 S *	7/2015	Nakagawa	D14/421
D741,331 S *	10/2015	Ishibashi	D14/421
D745,871 S *	12/2015	Kim	D14/421
D756,361 S *	5/2016	Huang	D14/421
D766,245 S *	9/2016	Kim	D14/421
D786,965 S *	5/2017	Huang	D18/55
D800,122 S *	10/2017	Tashima	D14/421
D800,123 S *	10/2017	Tashima	D14/421
D800,124 S *	10/2017	Asano	D14/421

* cited by examiner

Primary Examiner — Robin V Webster

Assistant Examiner — James C Thorn, Sr.

(57) **CLAIM**

The ornamental design for a document handler for a multifunction printing machine, as shown and described.

DESCRIPTION

FIG. 1 is a perspective view of a document handler for a multifunction printing machine in accordance with the present invention;

FIG. 2 is a front view thereof;

FIG. 3 is a right side view thereof;

FIG. 4 is a rear view thereof;

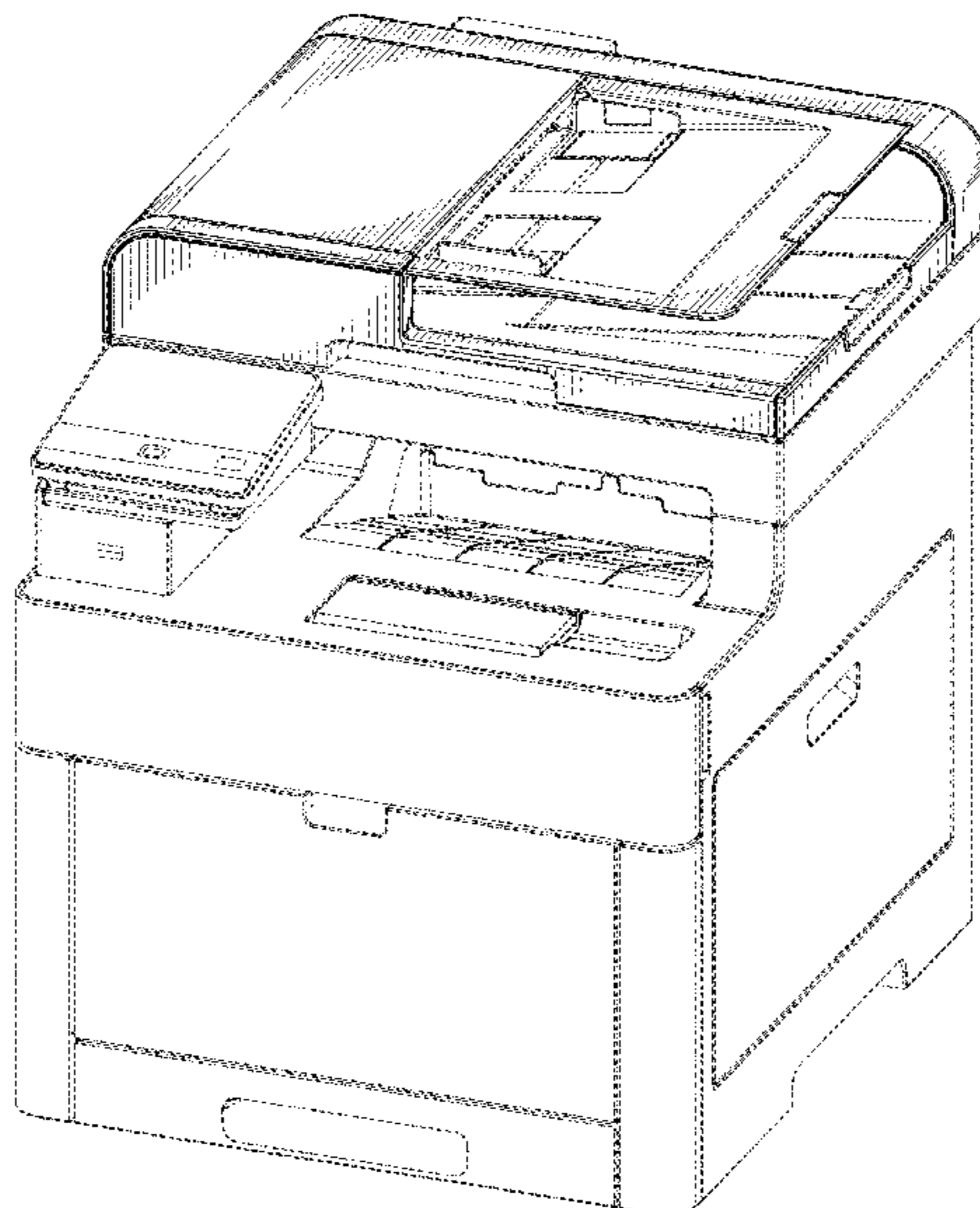
FIG. 5 is a left side view thereof;

FIG. 6 is a top plan view thereof; and,

FIG. 7 is a bottom plan view thereof.

The broken lines shown in the drawings are included for the purpose of illustrating unclaimed portions and form no part of the claimed design.

1 Claim, 7 Drawing Sheets



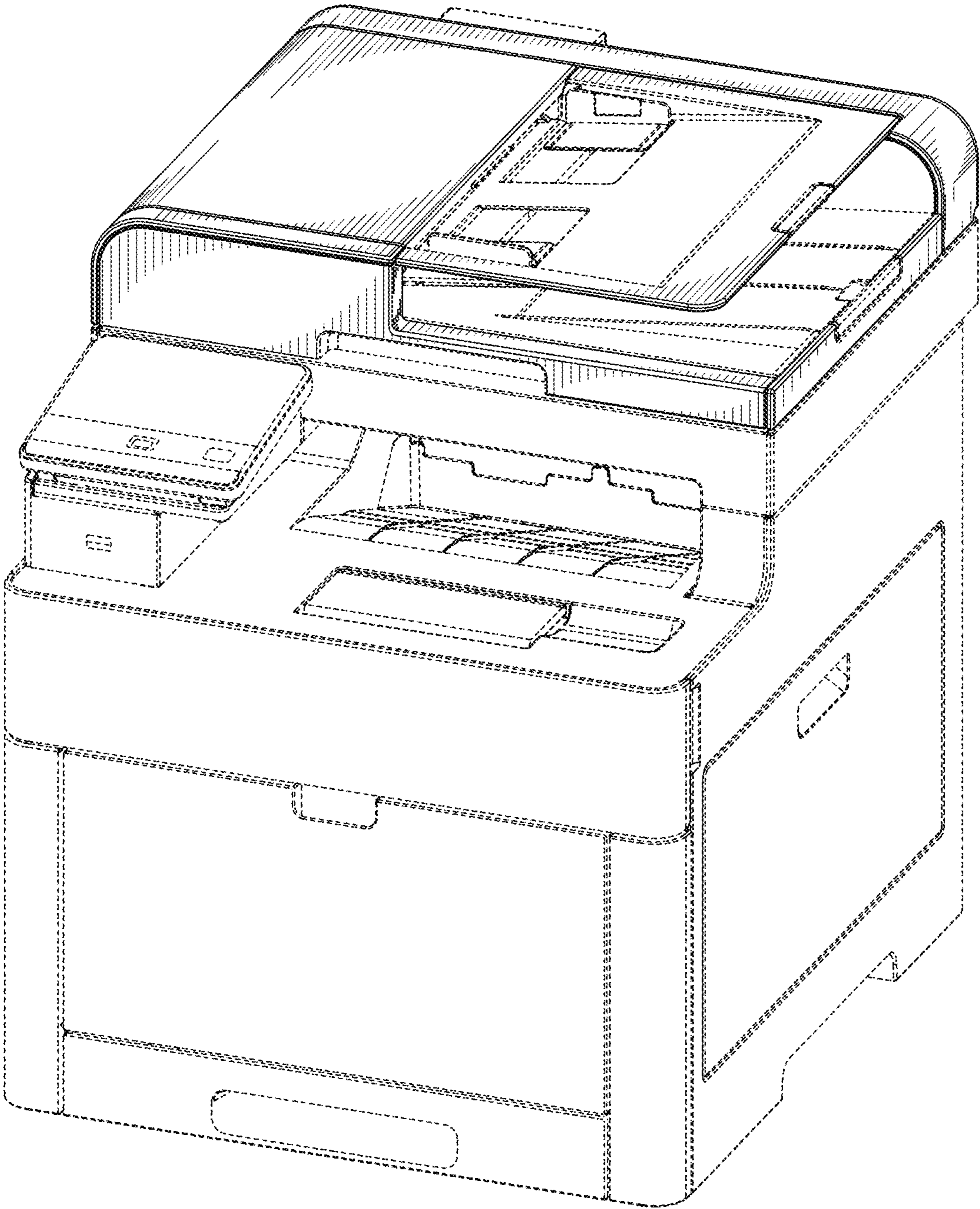


FIG. 1

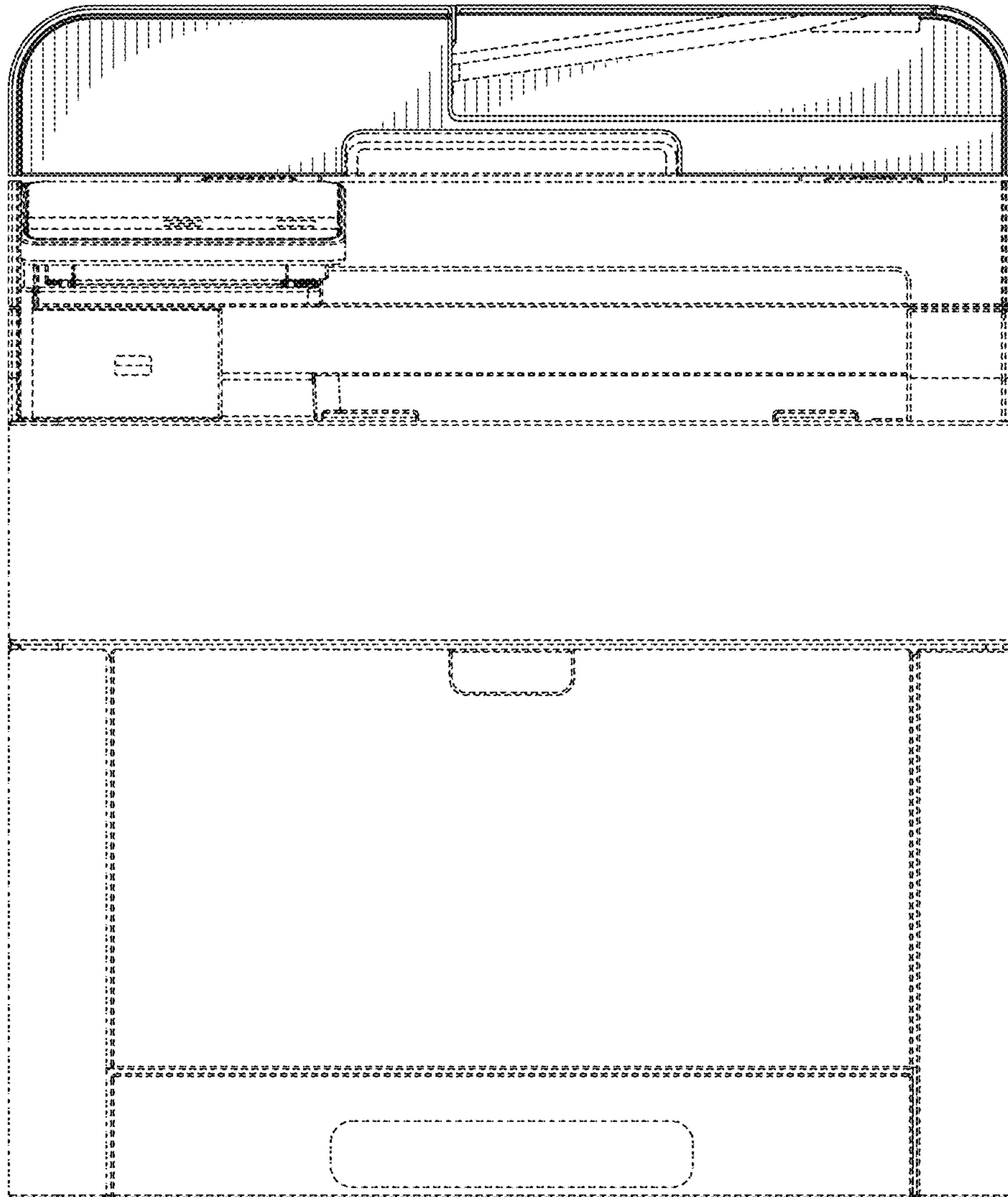


FIG. 2

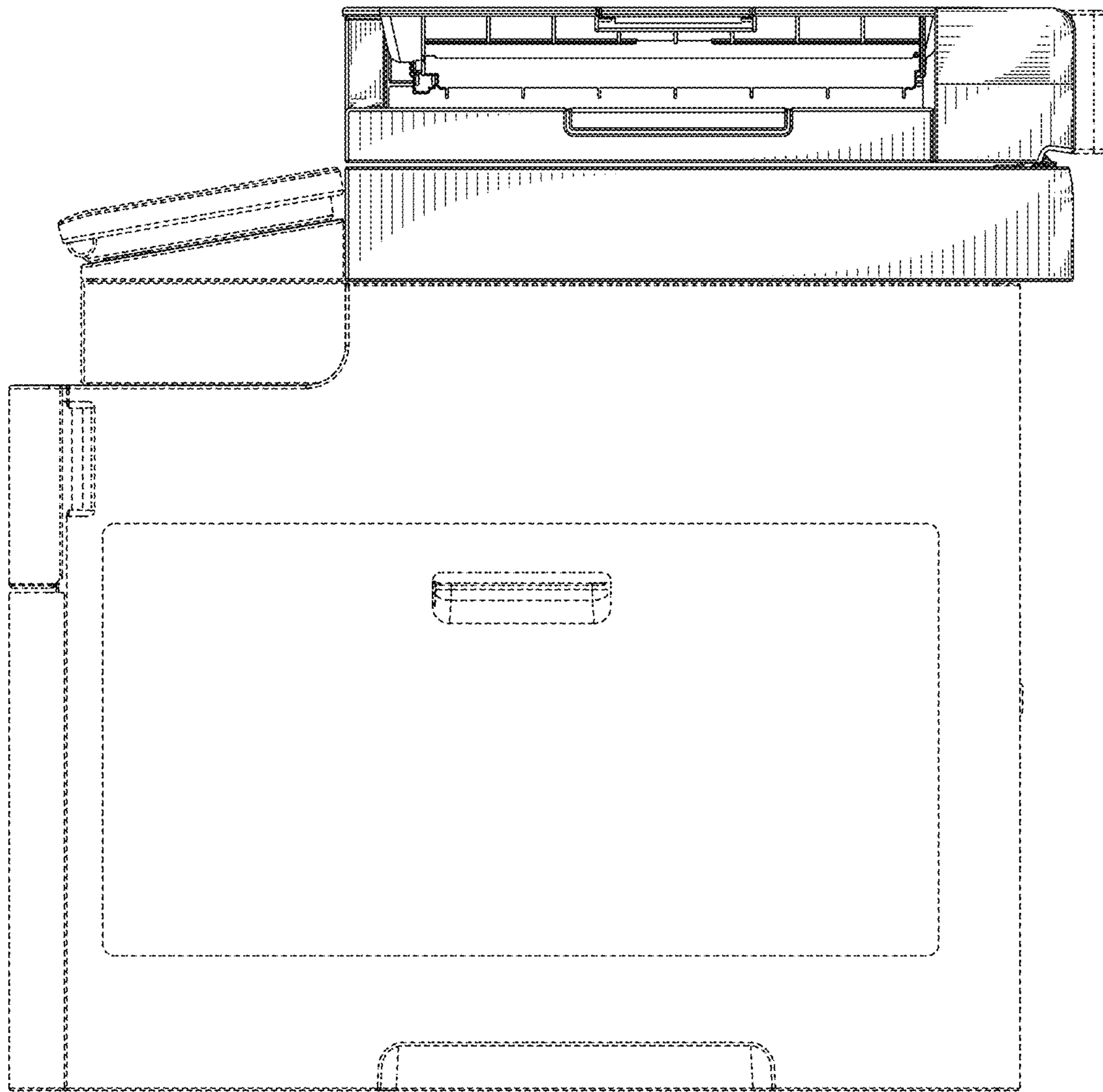


FIG. 3

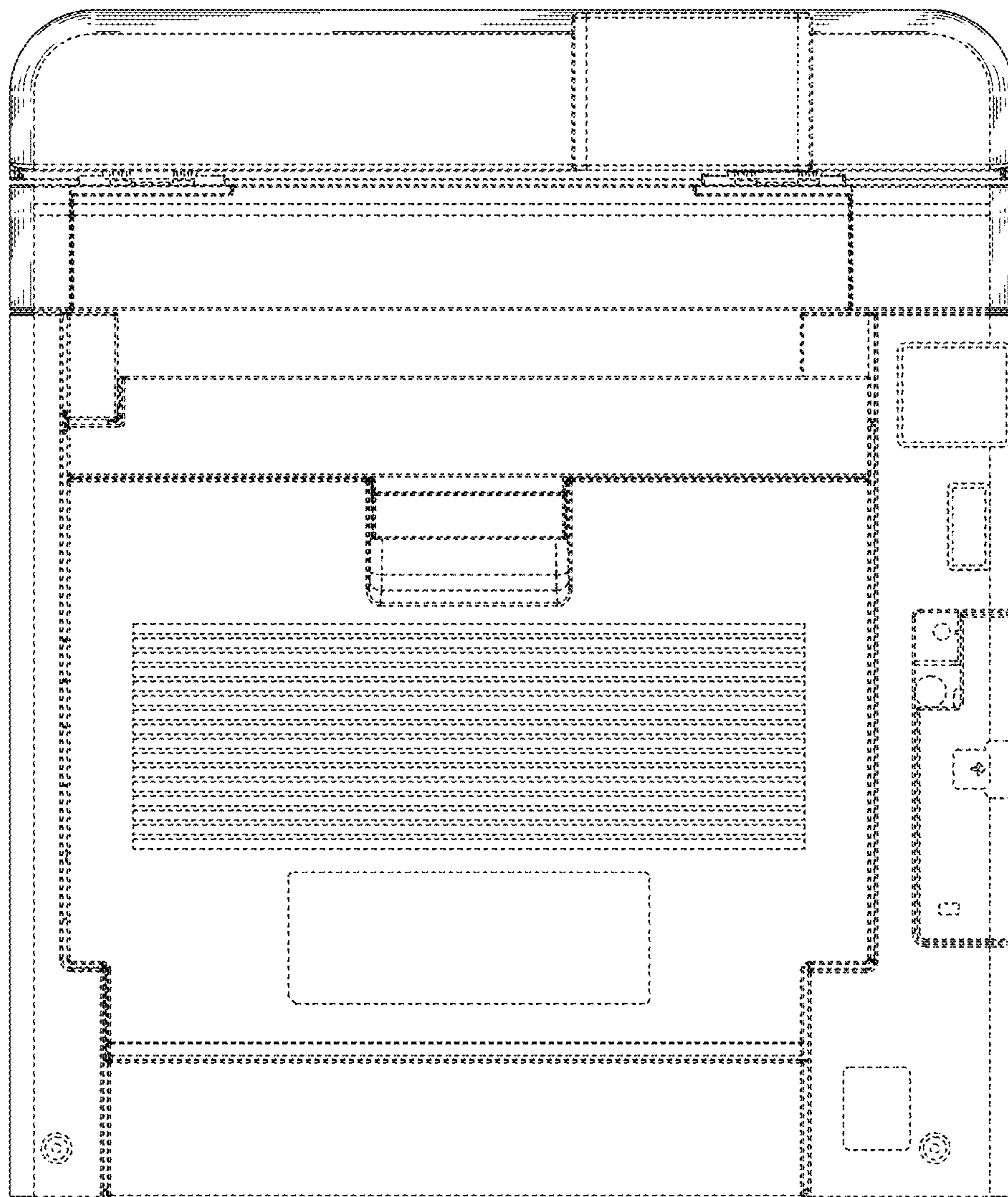


FIG. 4

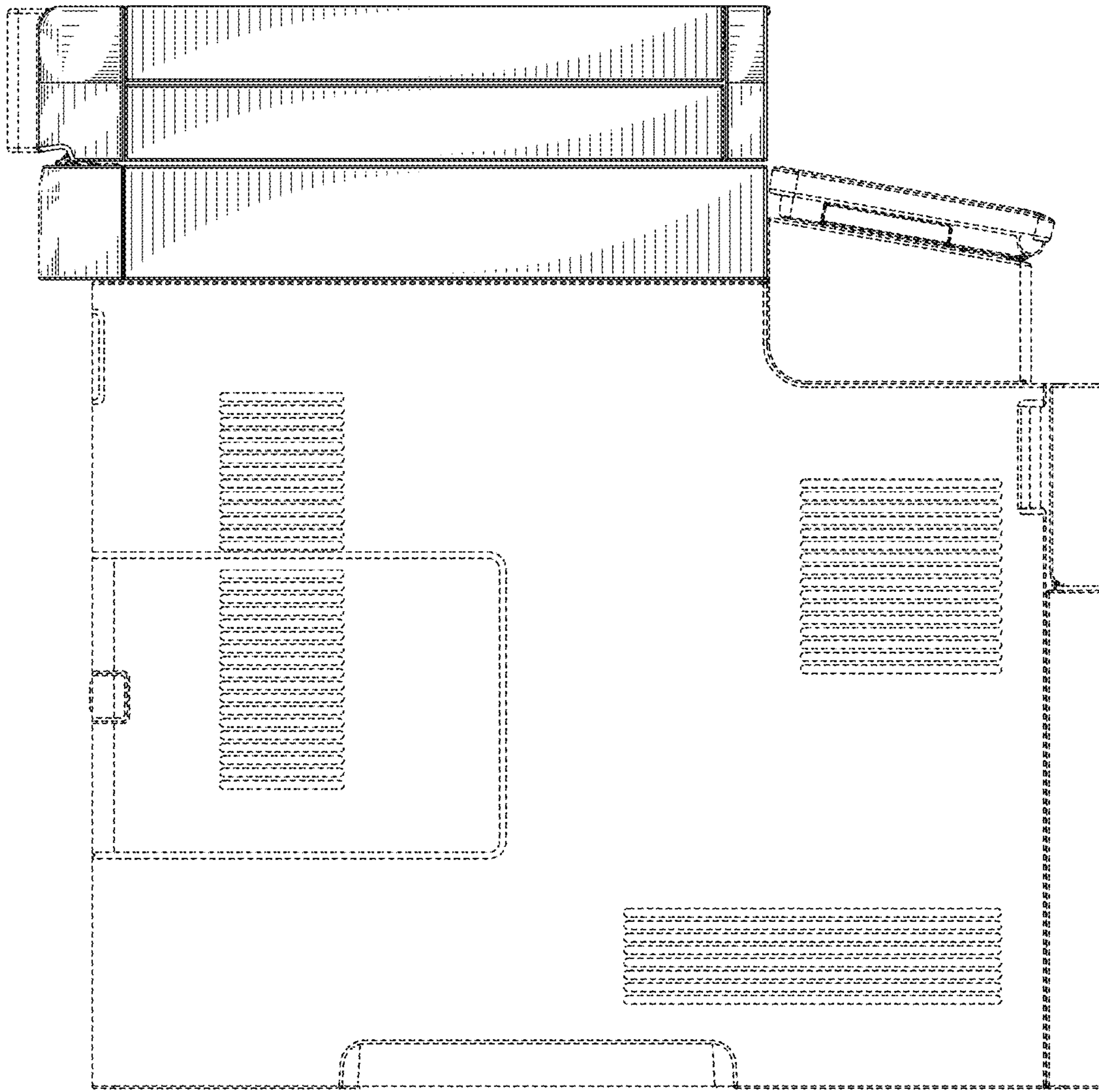


FIG. 5

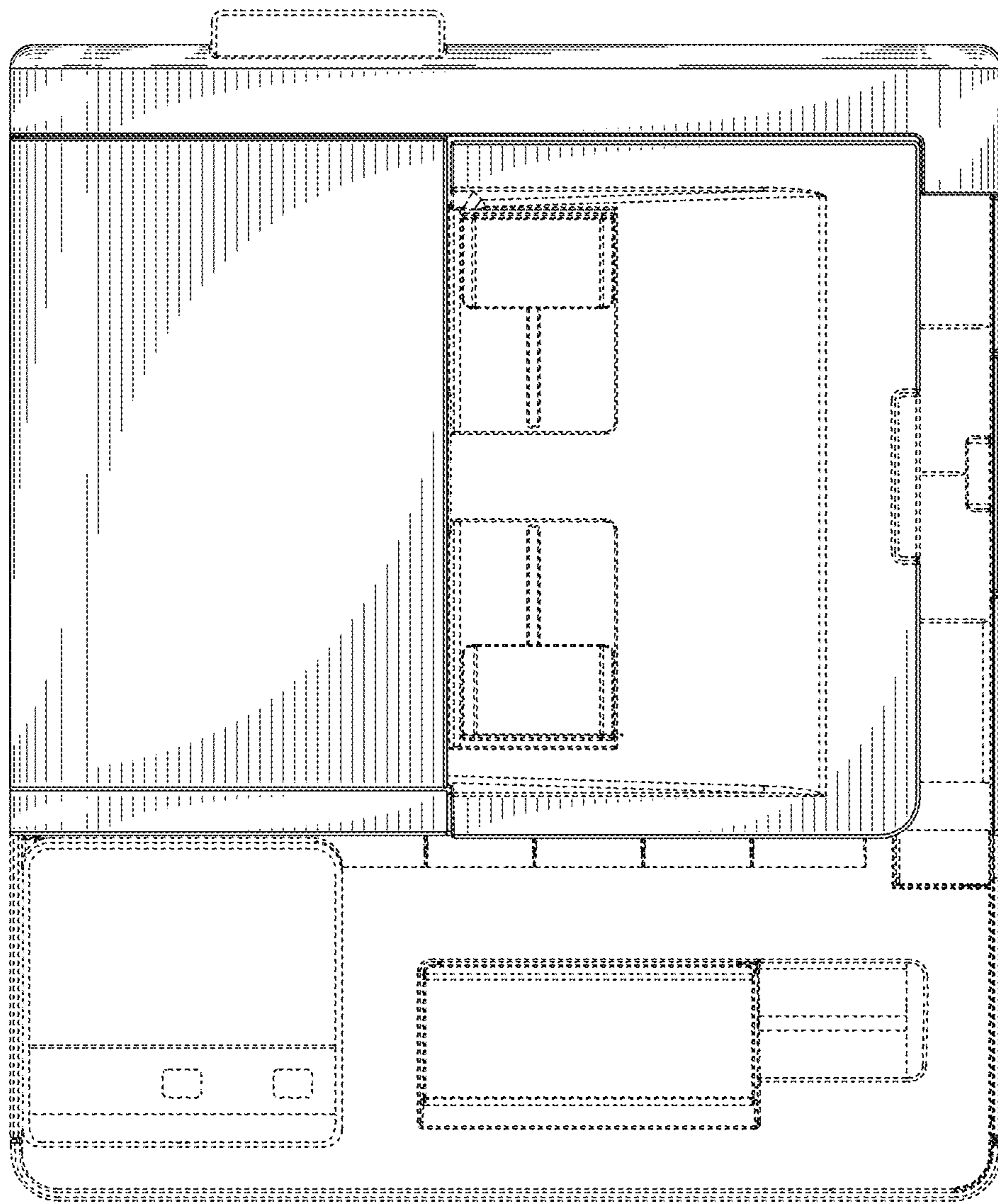


FIG. 6

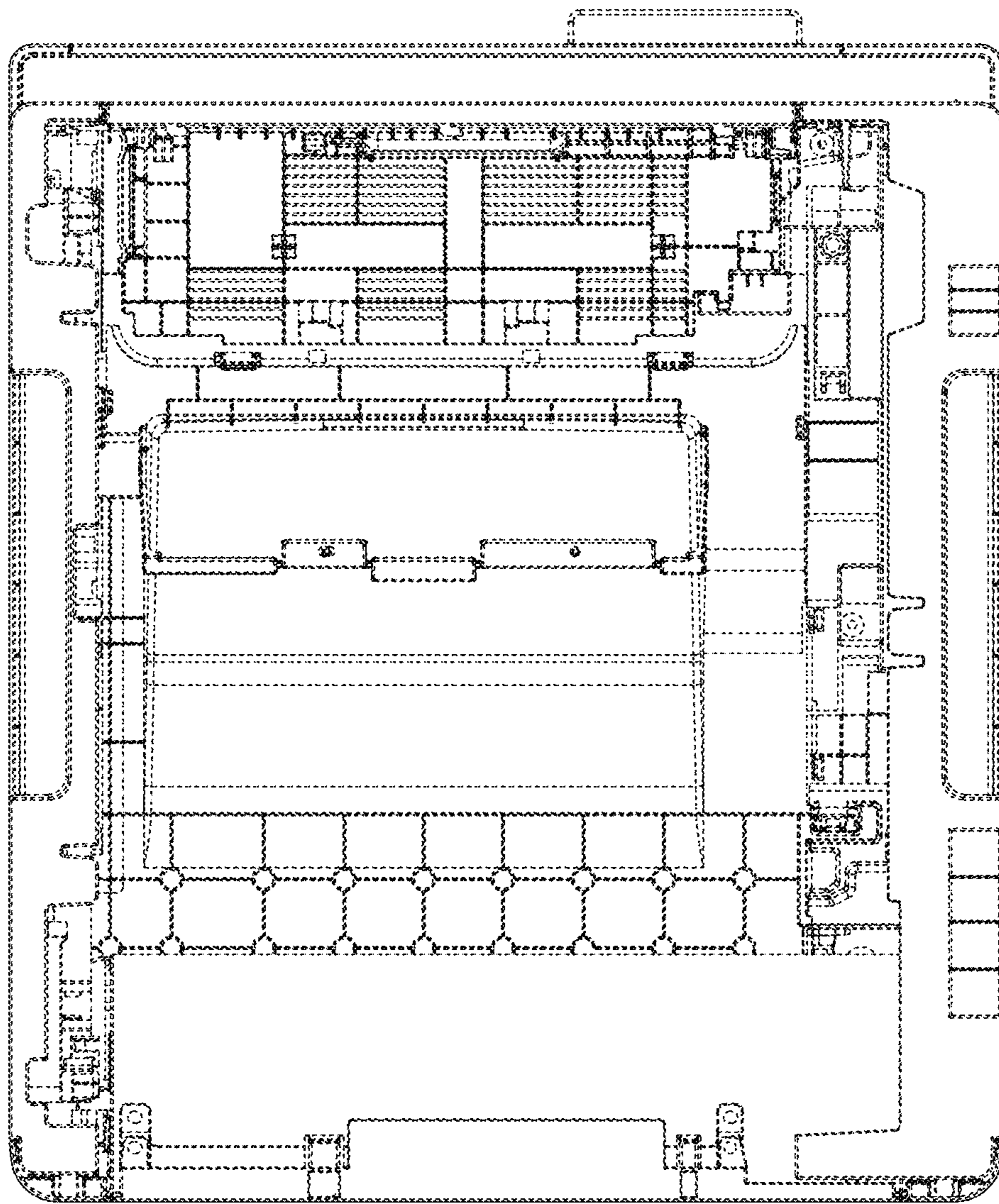


FIG. 7