



US00D819123S

(12) **United States Design Patent**  
**Kitagawa et al.**

(10) **Patent No.:** **US D819,123 S**

(45) **Date of Patent:** **\*\* May 29, 2018**

(54) **TONER CARTRIDGE**

(71) Applicant: **KYOCERA DOCUMENT SOLUTIONS INC.**, Osaka (JP)

(72) Inventors: **Hiroaki Kitagawa**, Osaka (JP);  
**Takashi Morita**, Osaka (JP)

(73) Assignee: **KYOCERA DOCUMENT SOLUTIONS INC.**, Osaka (JP)

(\*\*) Term: **14 Years**

(21) Appl. No.: **29/504,860**

(22) Filed: **Oct. 10, 2014**

(30) **Foreign Application Priority Data**

Apr. 10, 2014 (JP) ..... 2014-007891

(51) **LOC (11) Cl.** ..... **16-03**

(52) **U.S. Cl.**  
USPC ..... **D18/43**

(58) **Field of Classification Search**  
USPC ..... D14/471, 483, 484; D18/12, 18, 36, 40,  
D18/43, 44, 56, 58, 99  
CPC . B41J 2/17; B41J 2/1721; B41J 2/1572; B41J  
2/1754; B41J 2/17503; B41J 2/17553;  
B41J 2/17556; B41J 2/16547  
See application file for complete search history.

(56) **References Cited**

**U.S. PATENT DOCUMENTS**

D379,829 S *	6/1997	Hayashi	.....	D18/43
D410,947 S *	6/1999	Schwamkrug	.....	D18/43
D442,214 S *	5/2001	Hayashi	.....	D18/43
D450,080 S *	11/2001	Ashikari	.....	D18/40
D451,538 S *	12/2001	Schwamkrug	.....	D18/40
D502,730 S *	3/2005	Miyagawa	.....	D18/40
D512,092 S *	11/2005	Kobayashi	.....	D18/43
D524,849 S *	7/2006	Komai	.....	D18/43

D525,289 S *	7/2006	Murata	.....	D18/43
D529,946 S *	10/2006	Amano	.....	D18/43
D562,881 S *	2/2008	Hatanaka	.....	D18/43
D562,882 S *	2/2008	Hatanaka	.....	D18/43
D621,870 S *	8/2010	Eto	.....	D18/43
D647,557 S *	10/2011	Iketani	.....	D18/43
D652,073 S *	1/2012	Murata	.....	D18/43
D653,283 S *	1/2012	Eto	.....	D18/43
D697,549 S *	1/2014	Wakimoto	.....	D18/43
D707,751 S *	6/2014	Wakimoto	.....	D18/43
D707,752 S *	6/2014	Wakimoto	.....	D18/43
D720,396 S *	12/2014	Torimoto	.....	D18/43
D746,904 S *	1/2016	Kitagawa	.....	D18/43
D746,905 S *	1/2016	Kitagawa	.....	D18/43
D746,906 S *	1/2016	Kitagawa	.....	D18/43
D791,865 S *	7/2017	Yoshii	.....	D18/43
2010/0092207 A1 *	4/2010	Ito	.....	G03G 15/0894 399/109

\* cited by examiner

*Primary Examiner* — Garth Rademaker

*Assistant Examiner* — Richard Kearney

(74) *Attorney, Agent, or Firm* — Young & Thompson

(57) **CLAIM**

The ornamental design for a toner cartridge, as shown and described.

**DESCRIPTION**

FIG. 1 is a front, left and top view of a toner cartridge showing our new design;  
FIG. 2 is a rear, right and bottom view thereof;  
FIG. 3 is a front view thereof;  
FIG. 4 is a rear view thereof;  
FIG. 5 is a left side view thereof;  
FIG. 6 is a right side view thereof;  
FIG. 7 is a top view thereof; and,  
FIG. 8 is a bottom view thereof.  
The broken lines in the figures show portions of the toner cartridge which form no part of the claimed design.

**1 Claim, 5 Drawing Sheets**

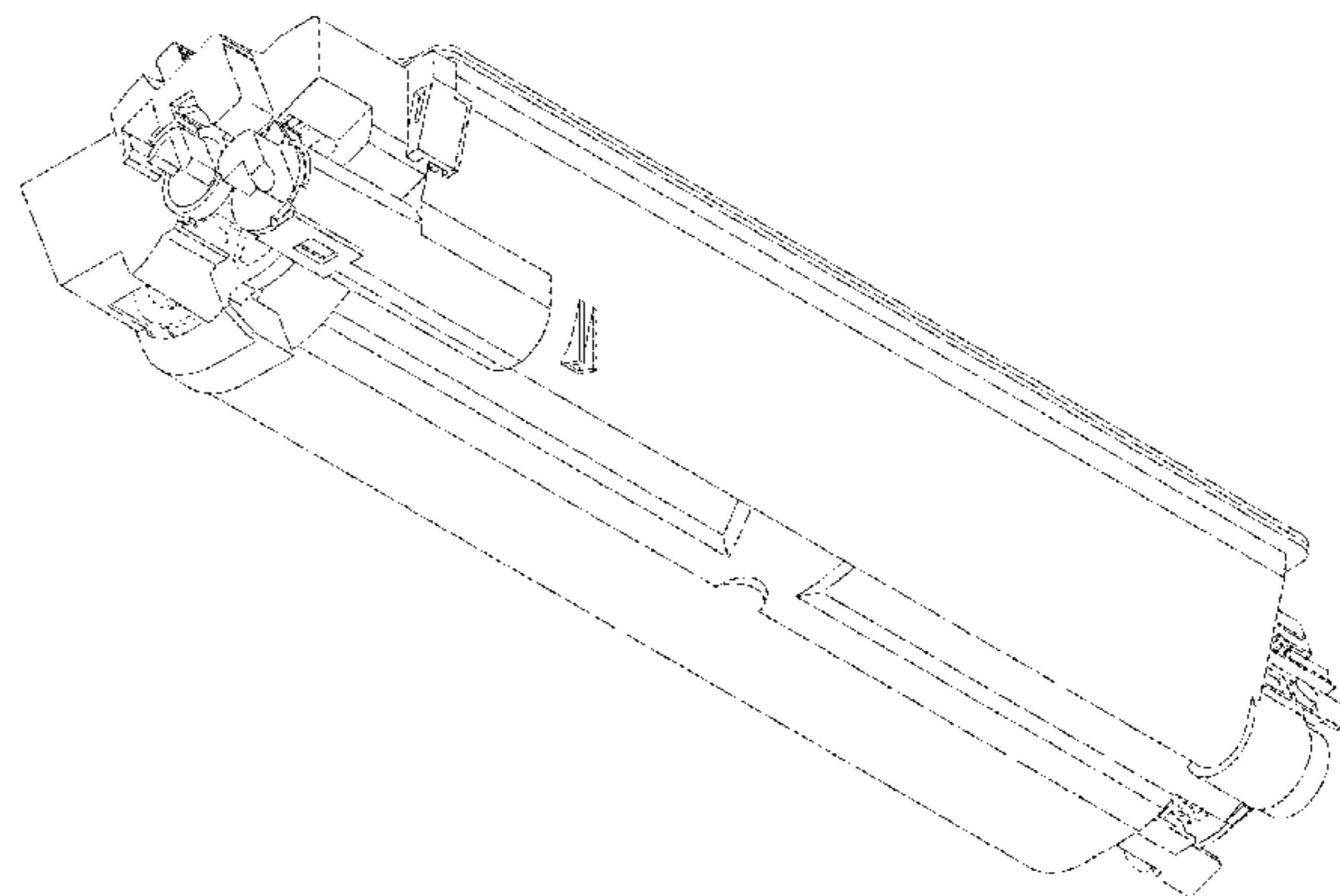
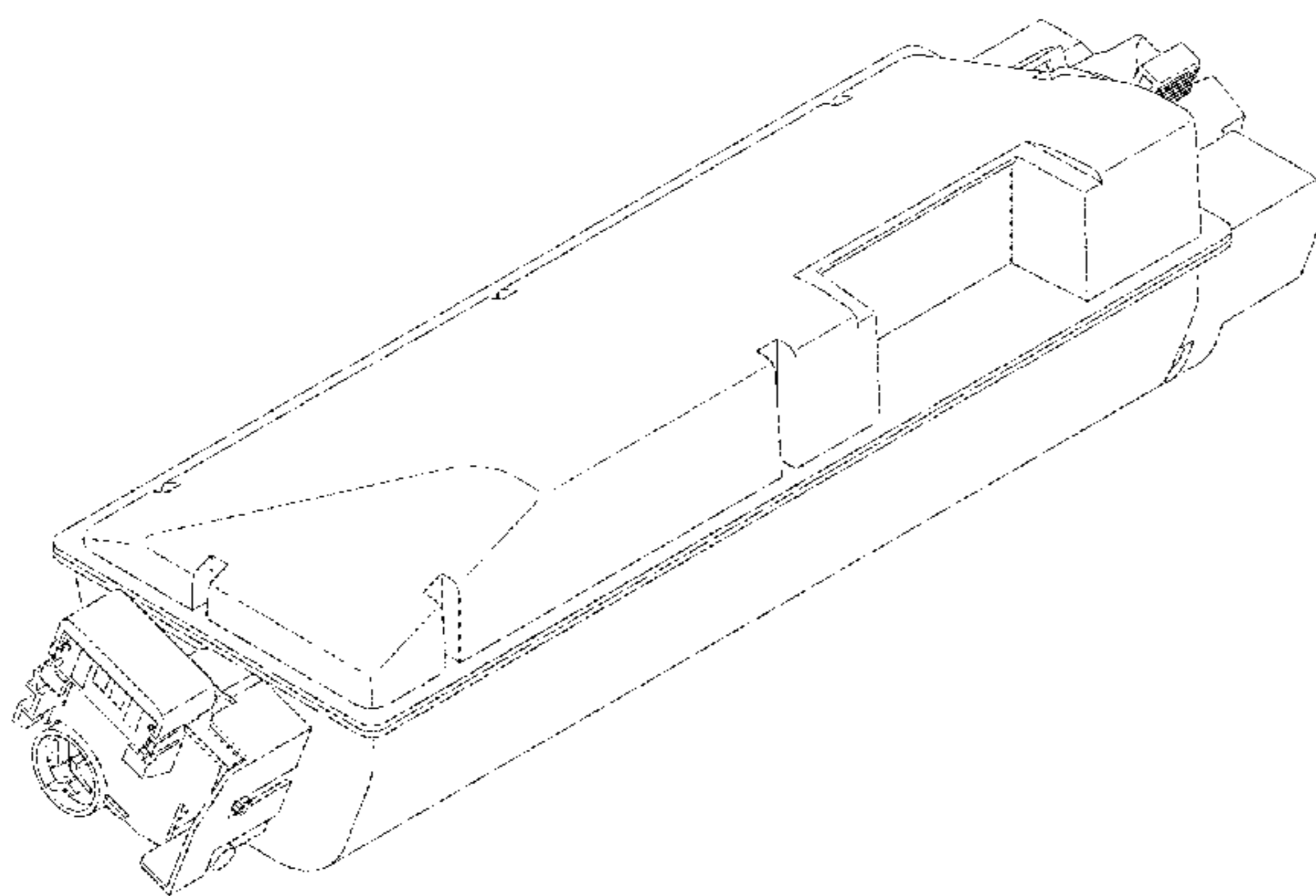


Fig. 1

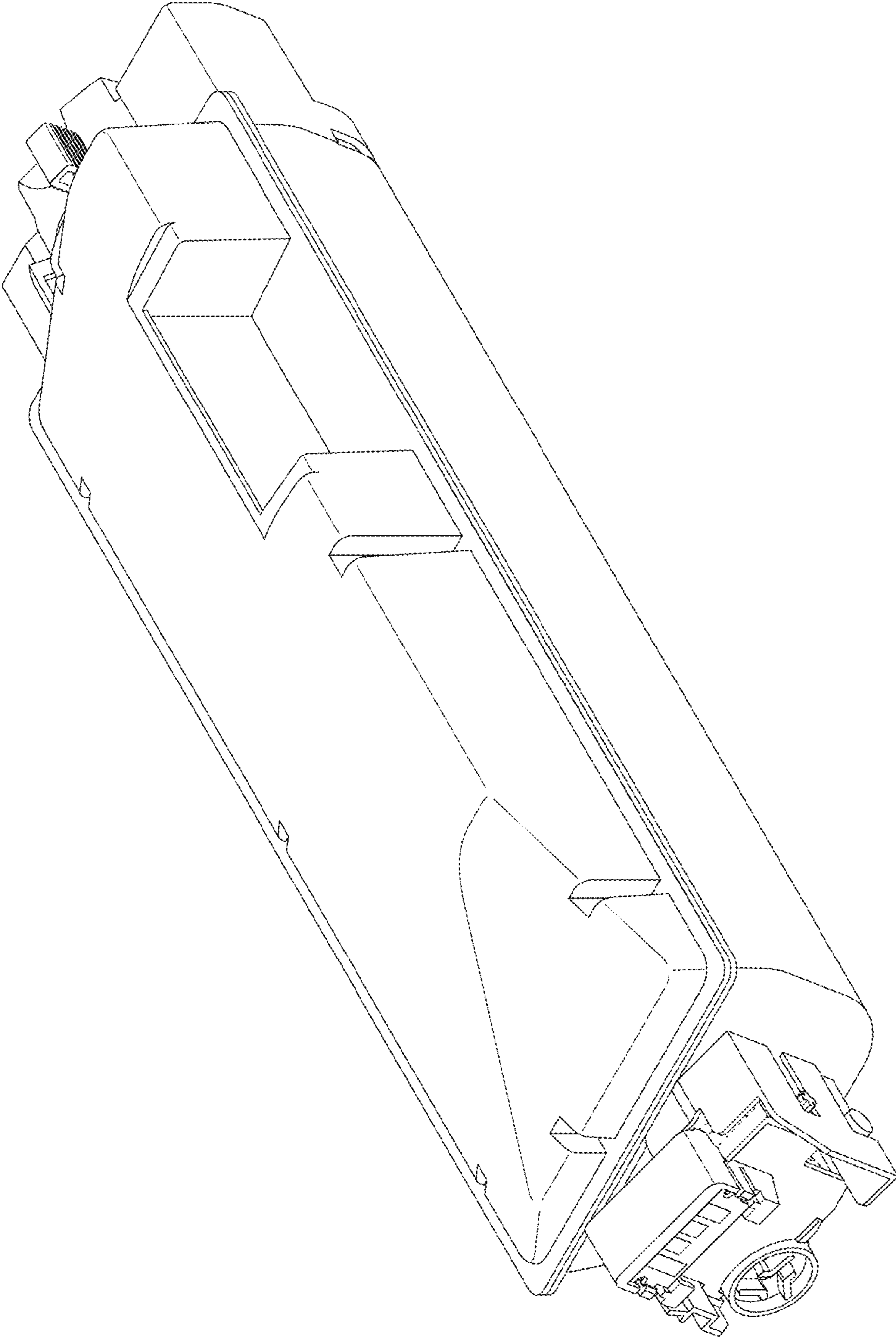


Fig. 2

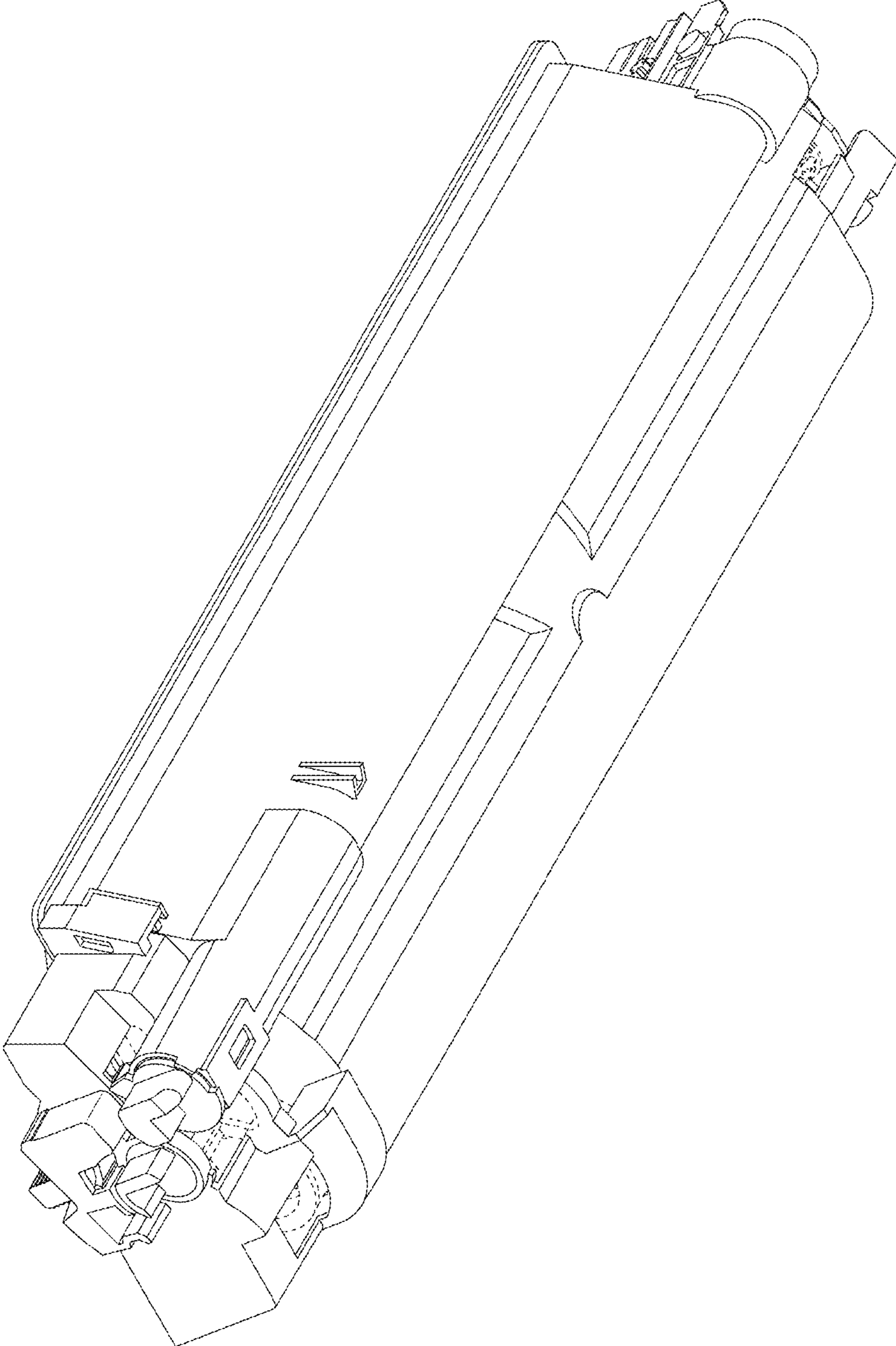


Fig. 3

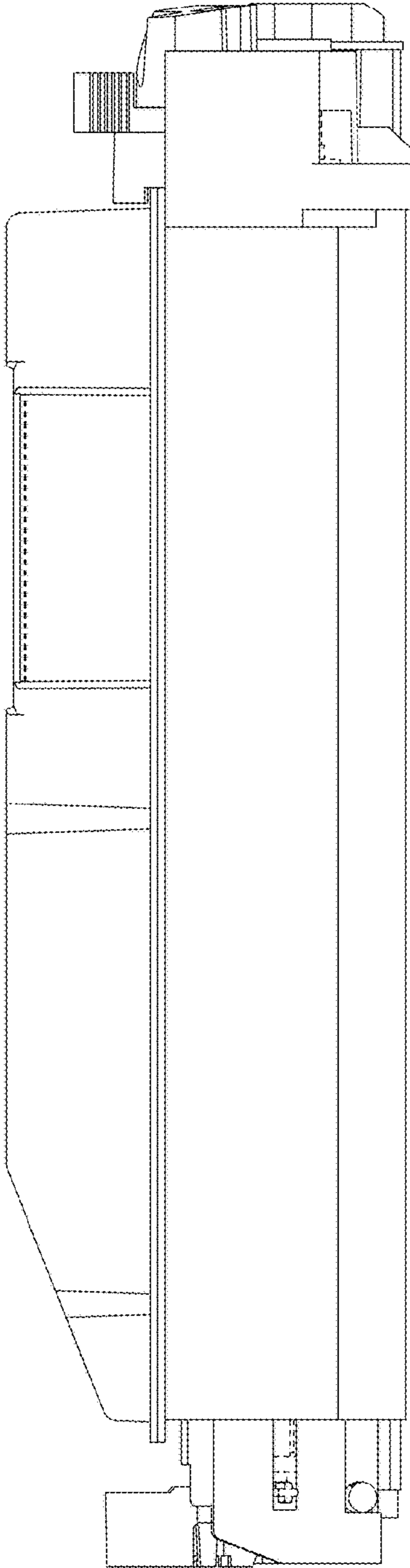


Fig. 4

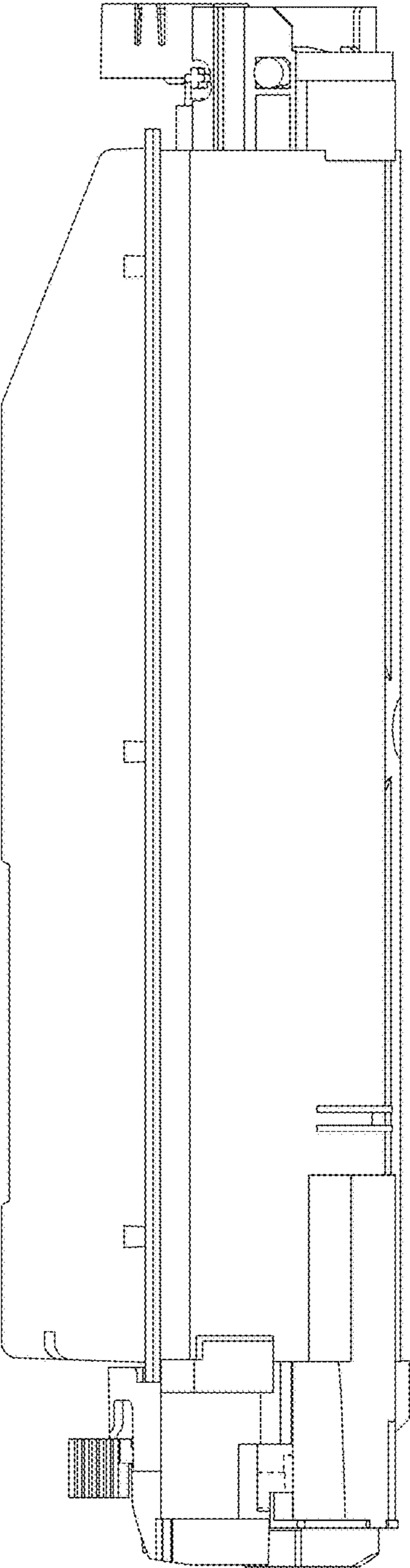


Fig. 6

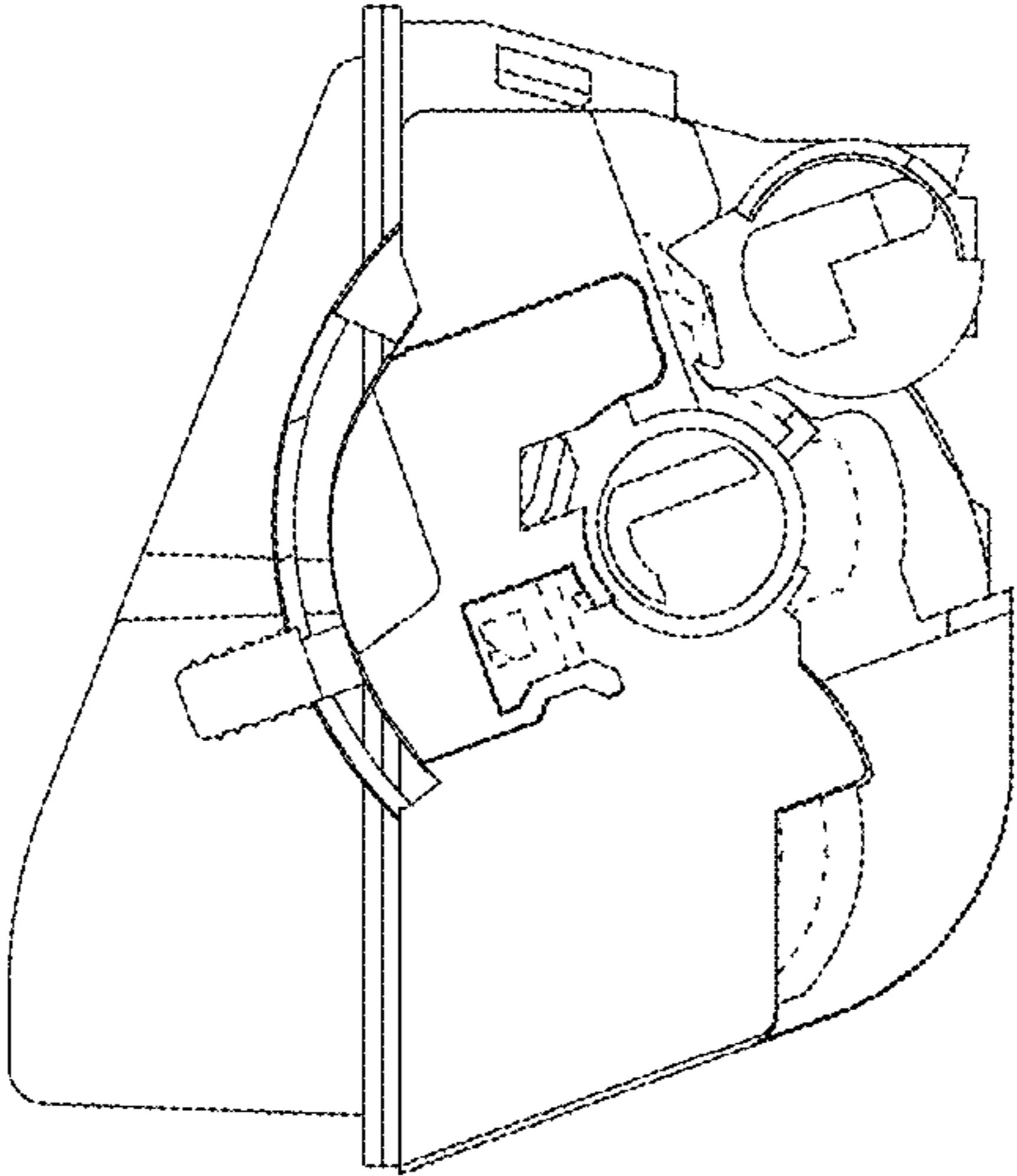


Fig. 5

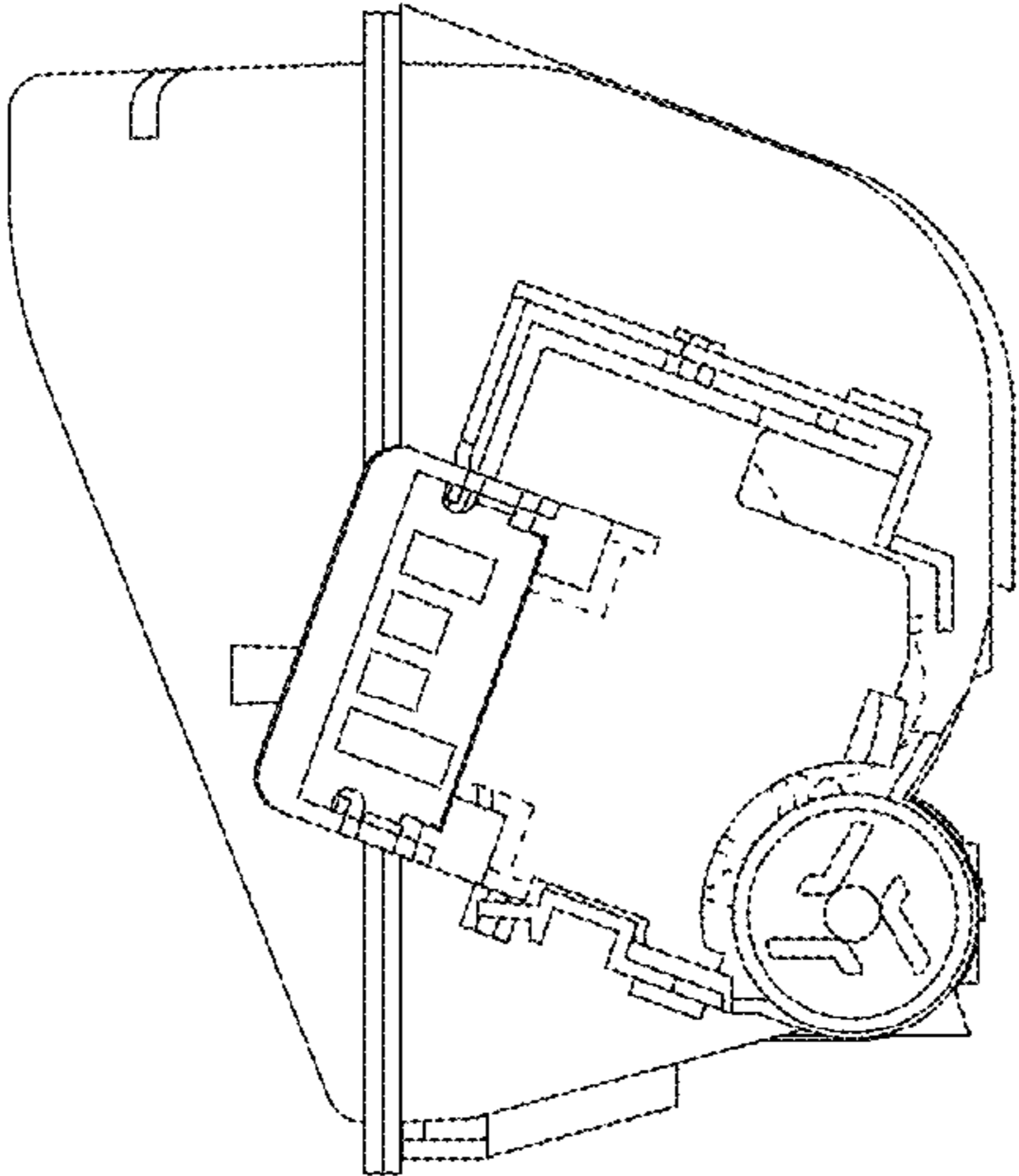


Fig. 7

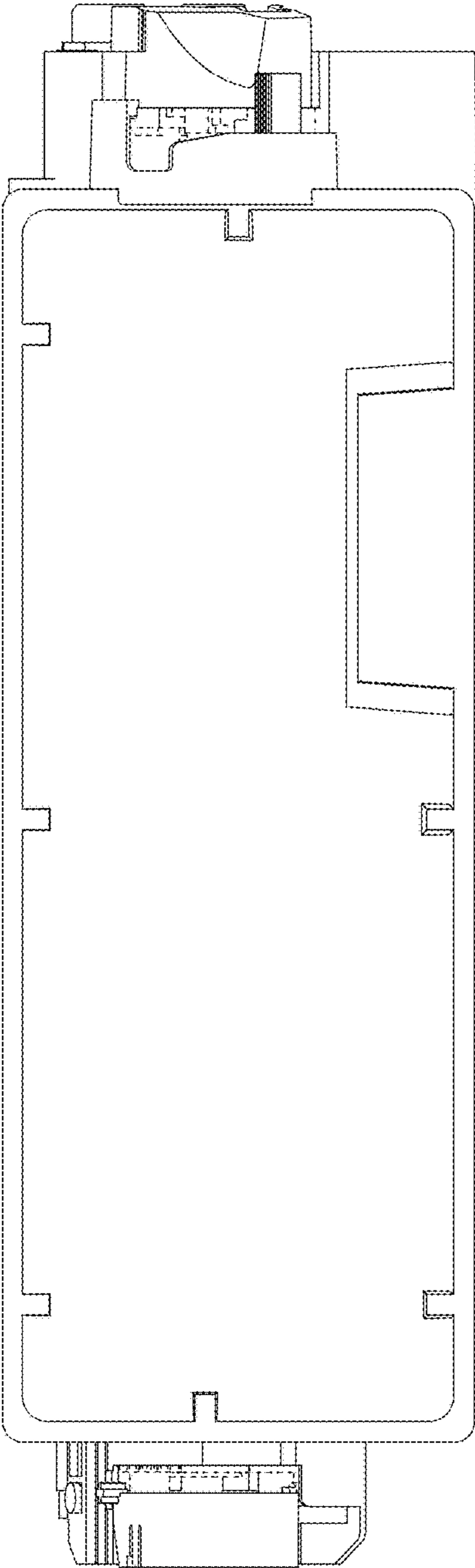


Fig. 8

