



US00D819121S

(12) **United States Design Patent** (10) **Patent No.:** **US D819,121 S**
Kushner et al. (45) **Date of Patent:** **** May 29, 2018**

(54) **PEDAL BOARD**

D256,618 S * 8/1980 Klein D12/203
D318,527 S * 7/1991 Groenewold D23/393
6,036,288 A * 3/2000 Shih A47B 21/0314
248/918

(71) Applicant: **BandLab Technologies**, Grand Cayman (KY)

(Continued)

(72) Inventors: **Daniel Kushner**, San Rafael, CA (US);
Meng Ru Kuok, Singapore (SG); **Peter Adam Boeckel**, Tiong Bahru (SG)

OTHER PUBLICATIONS

(73) Assignee: **BANDLAB TECHNOLOGIES**, Grand Cayman (KY)

Premier Guitar, DIY Pedalboard Build, posted on Sep. 13, 2013, [online], [site visited on Jan. 10, 2018]. Available from Internet, <URL: <https://www.premierguitar.com/articles/19635-diy-pedalboard-build?page=4>> (Year: 2013).*

(Continued)

(**) Term: **15 Years**

Primary Examiner — Sheryl Lane

(21) Appl. No.: **29/591,248**

Assistant Examiner — Samantha N Wood

(22) Filed: **Jan. 18, 2017**

(74) *Attorney, Agent, or Firm* — Occhiuti & Rohlicek LLP

(51) **LOC (11) Cl.** **17-03**

(52) **U.S. Cl.**
USPC **D17/20**

(57) **CLAIM**

The ornamental design for a pedal board, as shown and described.

(58) **Field of Classification Search**

DESCRIPTION

USPC D17/1, 2, 4, 5, 7-9, 13, 14, 20, 21, 24, D17/99; D19/99-101, 150, 192; D6/329, D6/512-514, 641, 650, 707, 702; D7/550.1, 554.2, 554.3, 698; D10/103; D14/299, 328, 432, 447; D23/393; D21/405, 406, 408, 409, 586; D32/56; D8/354; D25/119

CPC G10H 2220/071; G10H 2220/076; G10H 2220/165; G10H 2220/221; G10H 2220/30; G10H 2220/485; G10H 3/186; G10H 2210/231; G10D 13/023; G10D 13/027; G10D 13/006; G10D 3/006

See application file for complete search history.

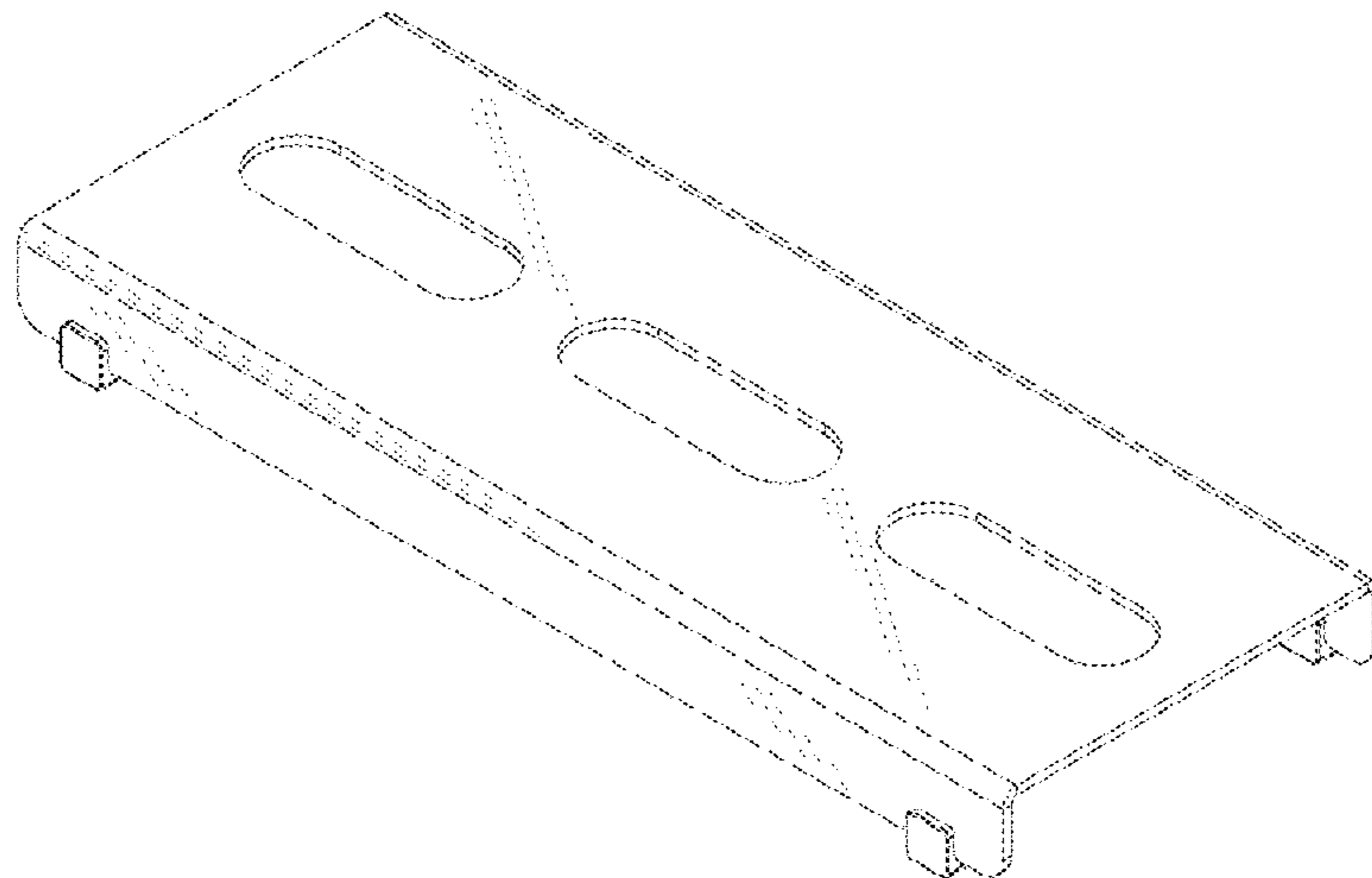
FIG. 1 is a front perspective view of a first embodiment of a pedal board according to our new design; FIG. 2 is a front view of the pedal board of FIG. 1, the rear view of the pedal board is a mirror image of the front view; FIG. 3 is a right side view of the pedal board of FIG. 1, the left side view of the pedal board is a mirror image of the right side view; FIG. 4 is a top view of the pedal board of FIG. 1; FIG. 5 is a front perspective view of a second embodiment of a pedal board according to our new design; FIG. 6 is a front view of the pedal board of FIG. 5, the rear view of the pedal board is a mirror image of the front view; FIG. 7 is a right side view of the pedal board of FIG. 5, the left side view of the pedal board is a mirror image of the right side view; and, FIG. 8 is a top view of the pedal board of FIG. 5.

(56) **References Cited**

U.S. PATENT DOCUMENTS

D112,146 S * 11/1938 Heller D17/9
D146,637 S * 4/1947 Brown 84/174
D171,677 S * 3/1954 Adler 211/40

1 Claim, 8 Drawing Sheets



(56)

References Cited

U.S. PATENT DOCUMENTS

7,663,876 B2 * 2/2010 Lin G06F 1/203
361/679.47
D620,942 S * 8/2010 Huang D14/447
D637,599 S * 5/2011 Liao D14/447
D718,875 S * 12/2014 Ramos Moreno D25/69
9,386,718 B2 * 7/2016 Kusumi H05K 7/14
D767,382 S * 9/2016 Libreiro D25/119

OTHER PUBLICATIONS

End of the Game, Guide to Building Your Own Pedalboard, posted on Feb. 21, 2013, [online], [site visited on Jan. 10, 2018]. Available from Internet, <URL: <https://endofthegame.net/2013/02/21/diy-effects-pedalboard/>> (Year: 2013).*

Home Depot, Superstrut Metal Framing Channel, customer review Nov. 6, 2012, [online], [site visited on Jan. 16, 2018]. Available from Internet, <URL: <https://www.homedepot.com/p/Superstrut-1-5-8-in-x-10-ft-Metal-Framing-Channel-ZA1200HS-10/100125003>> (Year: 2012).*

Renotalk, Single Slotted Wall Shelf System, posted on Aug. 23, 2015, [online], [site visited on Jan. 16, 2018]. Available from Internet, <URL: <https://www.renotalk.com/forum/topic/72250-single-slotted-wall-shelf-system-in-singapore/>> (Year: 2015).*

* cited by examiner

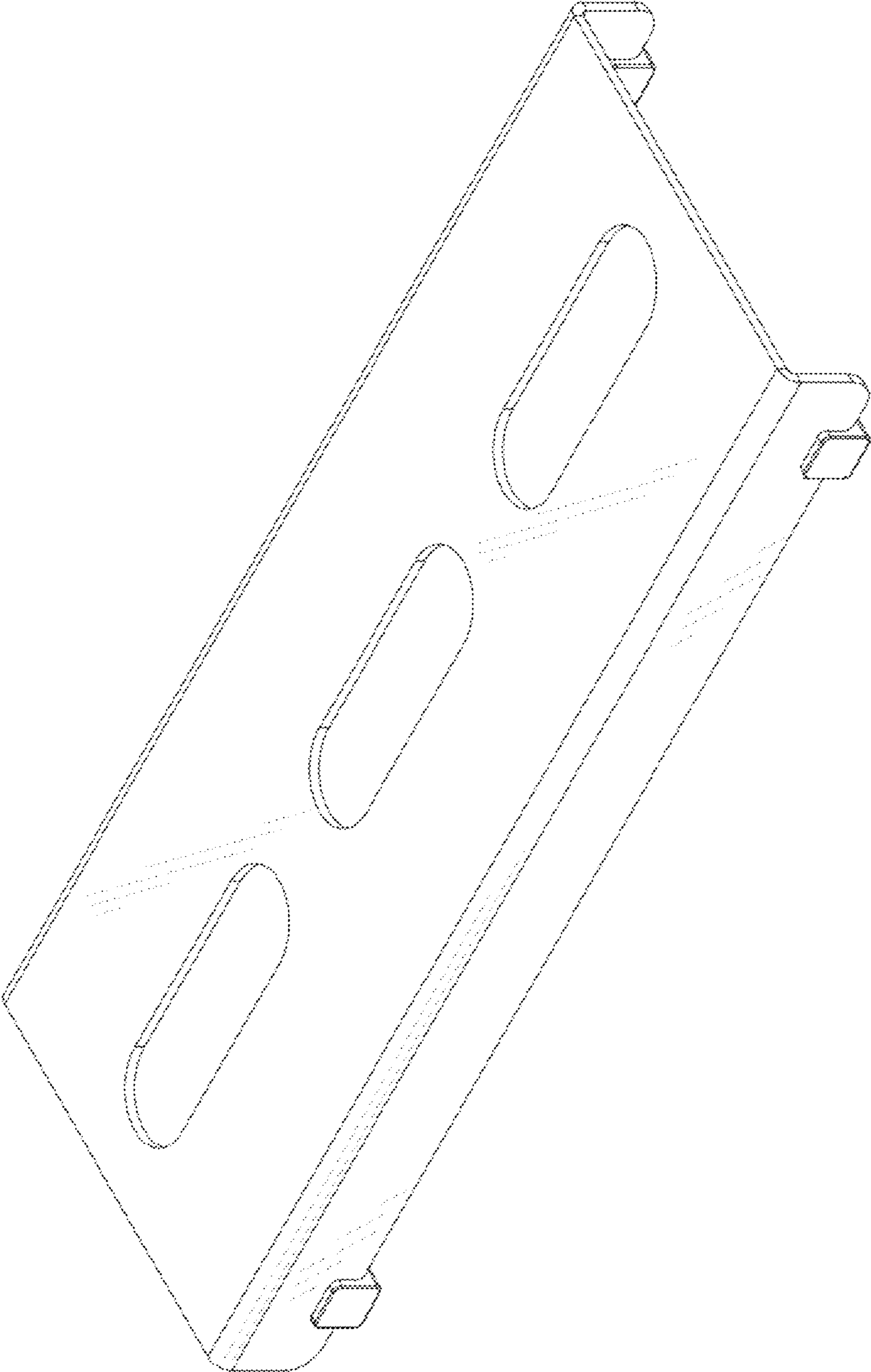


FIG. 1

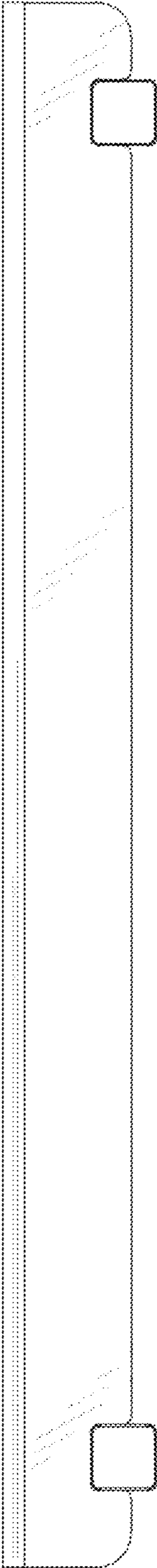


FIG. 2

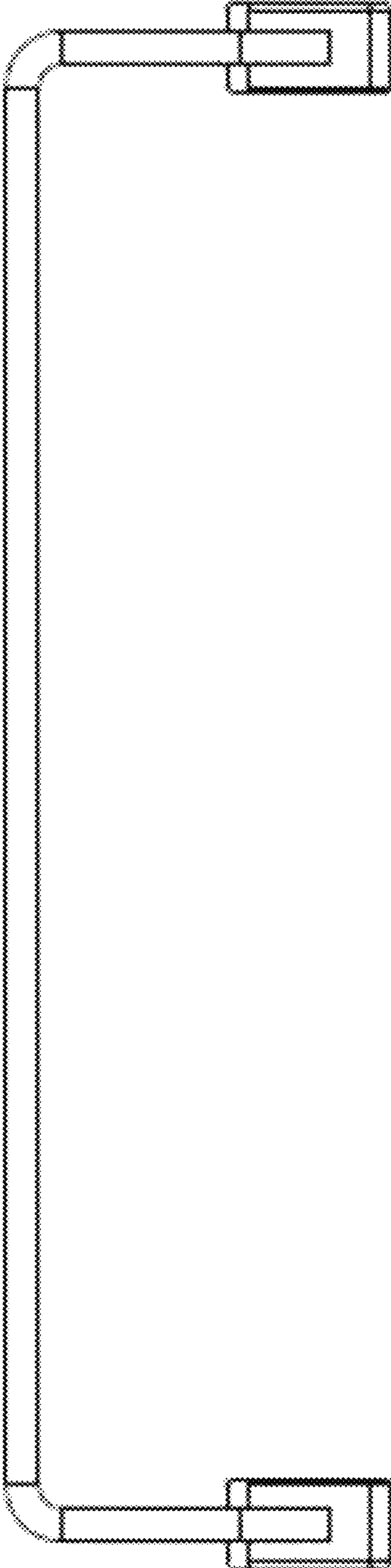


FIG. 3

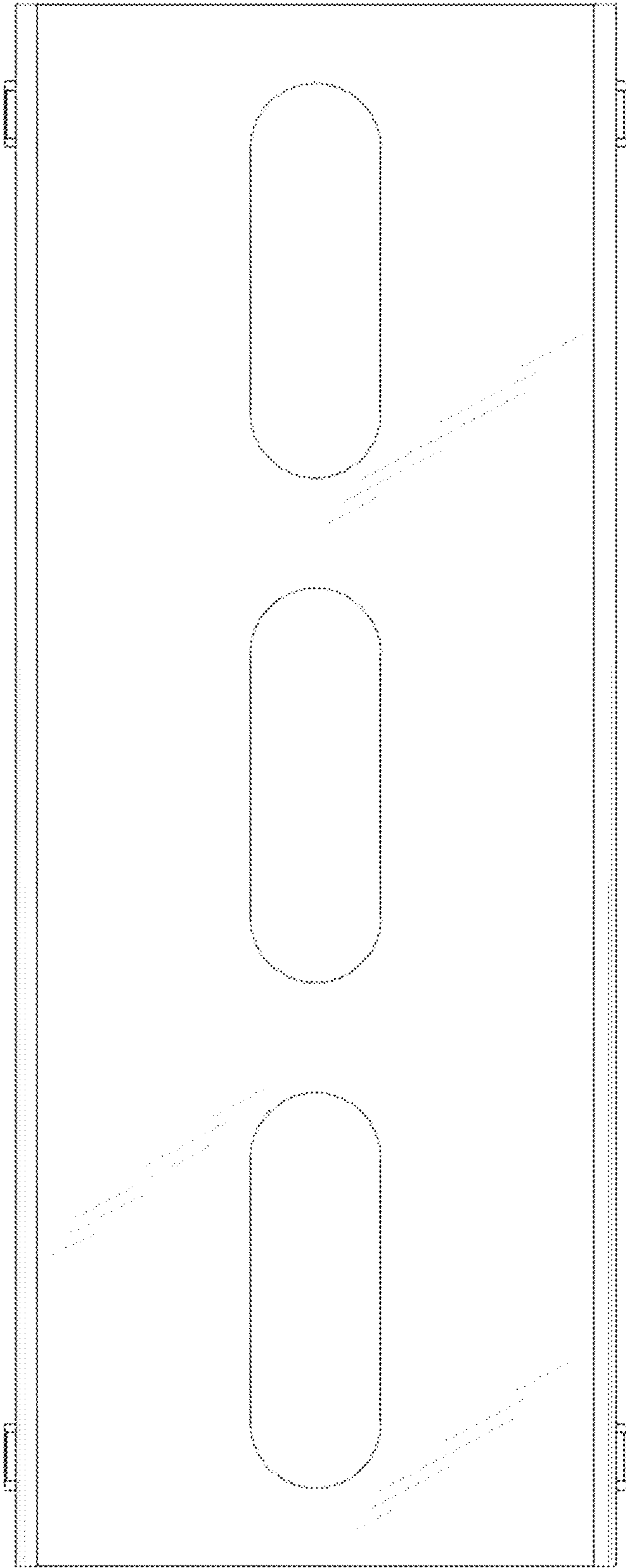


FIG. 4

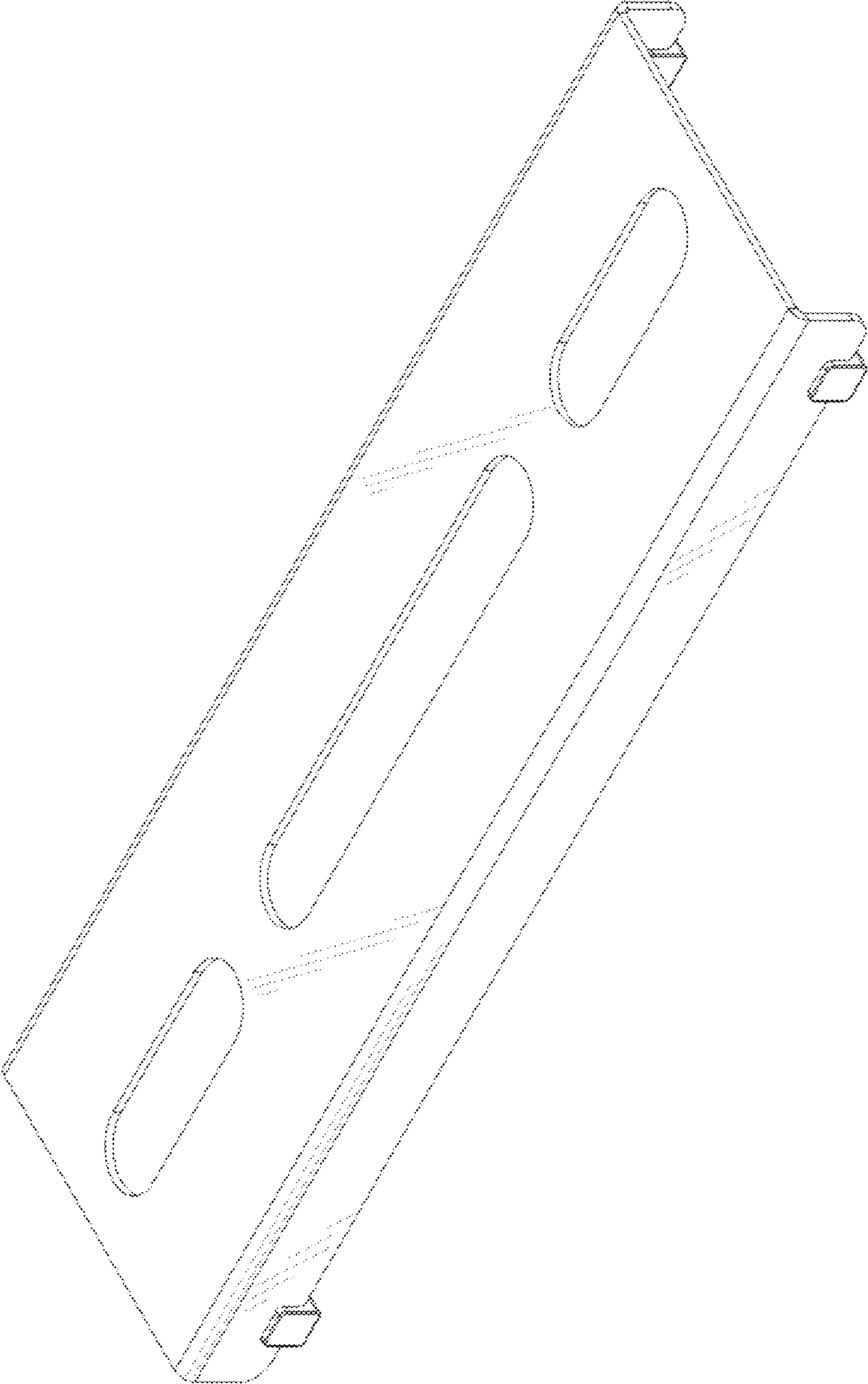


FIG. 5

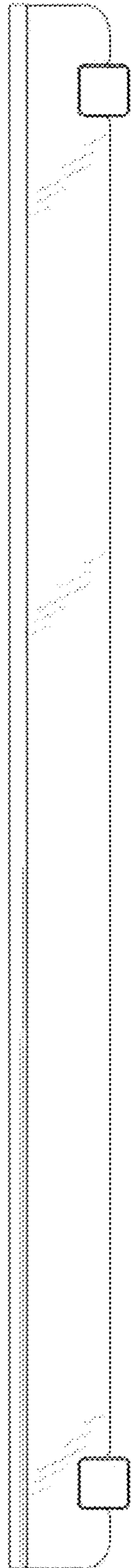


FIG. 6

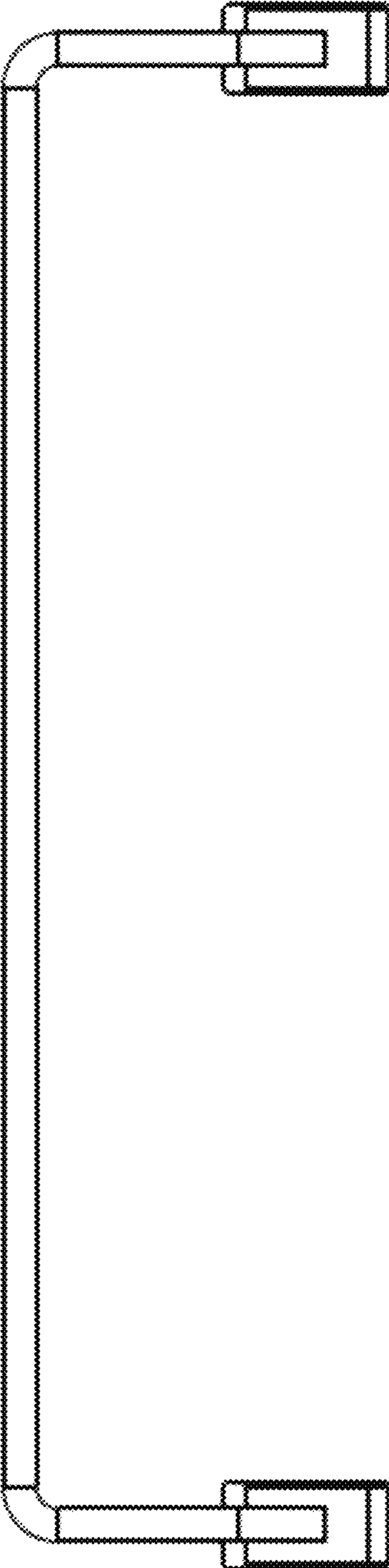


FIG. 7

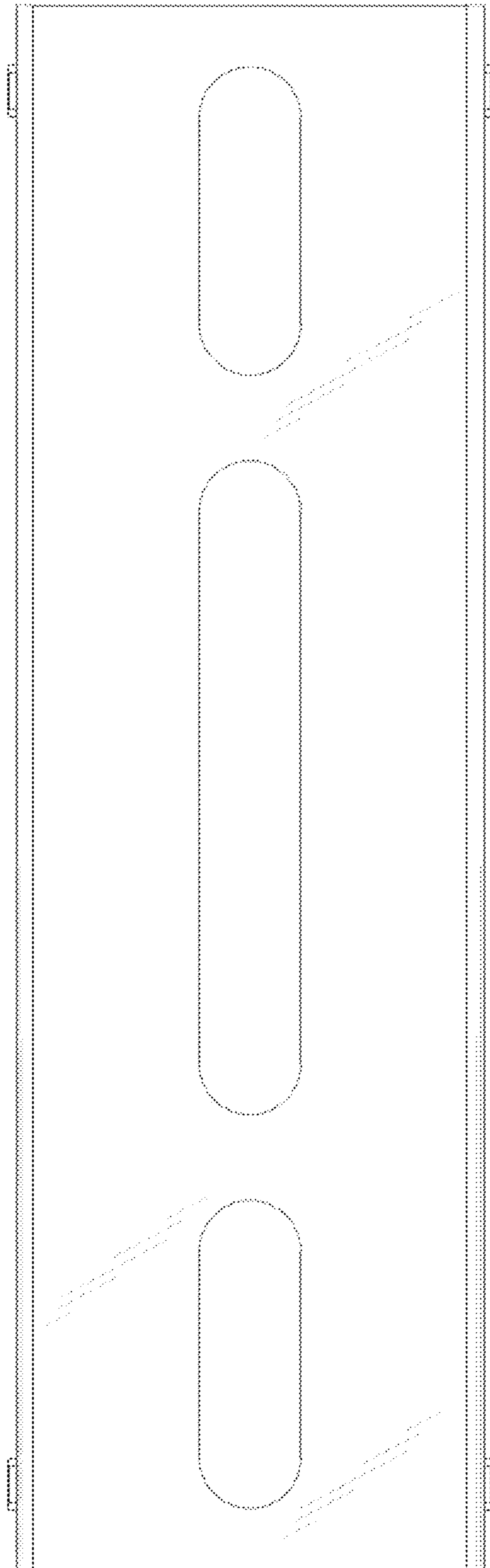


FIG. 8