



US00D819118S

(12) **United States Design Patent** (10) **Patent No.:** **US D819,118 S**
Muhlenkamp, IV et al. (45) **Date of Patent:** **** May 29, 2018**

(54) **CAMERA MOUNT HANDLE**
(71) Applicant: **GoPro, Inc.**, San Mateo, CA (US)
(72) Inventors: **John George Muhlenkamp, IV**,
Brisbane, CA (US); **Mark E. Costa**,
Menlo Park, CA (US); **Ryan Harrison**,
Walpole, NH (US); **Theresa Loney**
Casarez, San Carlos, CA (US)
(73) Assignee: **GoPro, Inc.**, San Mateo, CA (US)
(**) Term: **15 Years**
(21) Appl. No.: **29/588,382**
(22) Filed: **Dec. 20, 2016**

Related U.S. Application Data

(63) Continuation of application No. 29/548,660, filed on
Dec. 15, 2015, now Pat. No. Des. 778,338.
(51) **LOC (11) Cl.** **16-05**
(52) **U.S. Cl.**
USPC **D16/243**
(58) **Field of Classification Search**
USPC D16/219, 237-250; D26/49; D14/251;
D22/108
CPC G03B 17/56; G03B 17/561-17/568; G02B
7/00-7/002
See application file for complete search history.

References Cited

U.S. PATENT DOCUMENTS

D174,025 S 2/1955 Dine et al.
D357,760 S * 4/1995 Osiecki D26/49
D395,722 S * 6/1998 Howard D26/49
D423,129 S 4/2000 Nakagawa
D448,878 S * 10/2001 Dalton D26/49
D449,395 S 10/2001 Dalton et al.
D580,474 S * 11/2008 Lee D16/242
D608,482 S 1/2010 Brown et al.
D617,024 S 6/2010 Brown et al.

D684,283 S * 6/2013 Zhou D26/49
D706,476 S 6/2014 Lee
D734,885 S * 7/2015 Brown D26/49
D738,985 S * 9/2015 Montes D22/108
D746,353 S 12/2015 Woodman et al.
(Continued)

OTHER PUBLICATIONS

Karma Grip for HERO6 Black/HERO5 Black . Online, published
date unknown. Retrieved on Nov. 16, 2017 from URL: <https://shop.gopro.com/accessories-2/karma-grip-for-hero6-blackhero5-black/AGIMB-004-master.html>.*

(Continued)

Primary Examiner — Vy N Koenig
Assistant Examiner — Omeed Agilee
(74) *Attorney, Agent, or Firm* — Young Basile Hanlon &
MacFarlane, P.C.

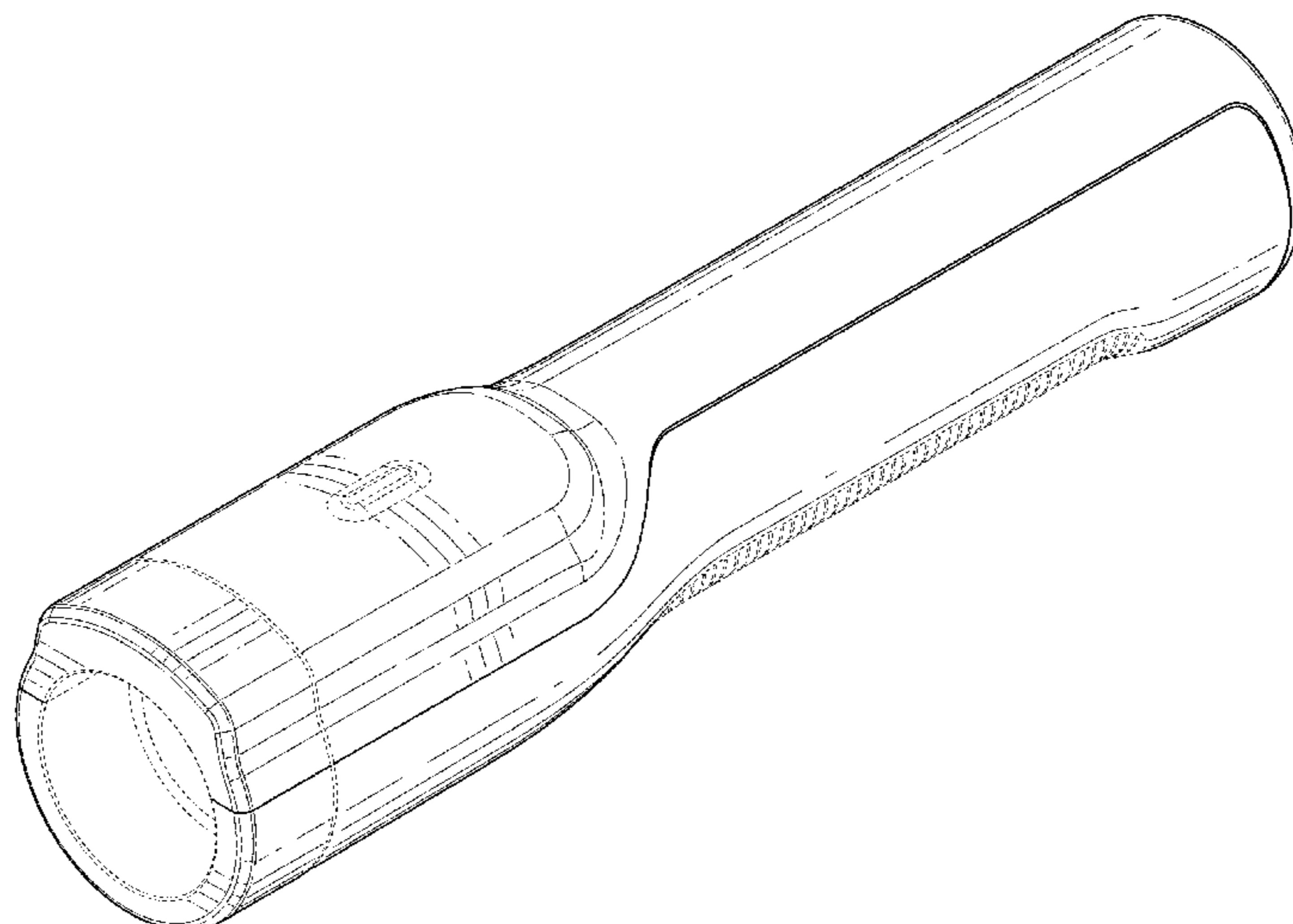
(57) **CLAIM**

The ornamental design for a camera mount handle, as shown
and described.

DESCRIPTION

FIG. 1 is a front, left, and top perspective view of a camera
mount handle;
FIG. 2 is a rear, right, and bottom perspective view thereof;
FIG. 3 is a front, right perspective view thereof;
FIG. 4 is a front, left perspective view thereof;
FIG. 5 is a front view thereof;
FIG. 6 is a rear view thereof;
FIG. 7 is a right view thereof;
FIG. 8 is a left view thereof;
FIG. 9 is a top plan view thereof; and,
FIG. 10 is a bottom plan view thereof.
The broken lines in the drawing depict portions of the
camera mount handle that form no part of the claimed
design.

1 Claim, 10 Drawing Sheets



(56)

References Cited

U.S. PATENT DOCUMENTS

D746,500	S	12/2015	Brown et al.	
D747,399	S *	1/2016	Stump	D16/243
D748,309	S *	1/2016	Cheng	D22/117
D749,186	S *	2/2016	Cheng	D22/108
9,298,066	B1	3/2016	Fan	
D761,988	S	7/2016	Asano et al.	
D766,230	S	9/2016	Shepard	
D772,972	S *	11/2016	Anari, III	D16/243
D778,338	S *	2/2017	Muhlenkamp, IV	D16/243
D779,579	S *	2/2017	Anari, III	D16/242
D790,650	S *	6/2017	Saadon	D22/108
D791,760	S *	7/2017	Kim	D14/253
D792,625	S *	7/2017	Koshiba	D26/49
D796,482	S *	9/2017	Zheng	D14/217
D798,482	S *	9/2017	O'Doherty	D26/49
D799,089	S *	10/2017	Green	D26/49
D802,192	S *	11/2017	Windom	D26/49
2011/0122605	A1	5/2011	Deighton et al.	
2015/0107055	A1	4/2015	Anari et al.	
2015/0156380	A1 *	6/2015	Volfson	G03B 17/565 348/373

OTHER PUBLICATIONS

Amazon.com, "3-Way Adjustable Bracket", Mar. 30, 2015, five pages. [Online] [Retrieved Oct. 24, 2016] Retrieved from the Internet <<https://www.amazon.com/Adjustable-Bracket-Action-Camera-Including/dp/BOOVE50QQY>>.

* cited by examiner

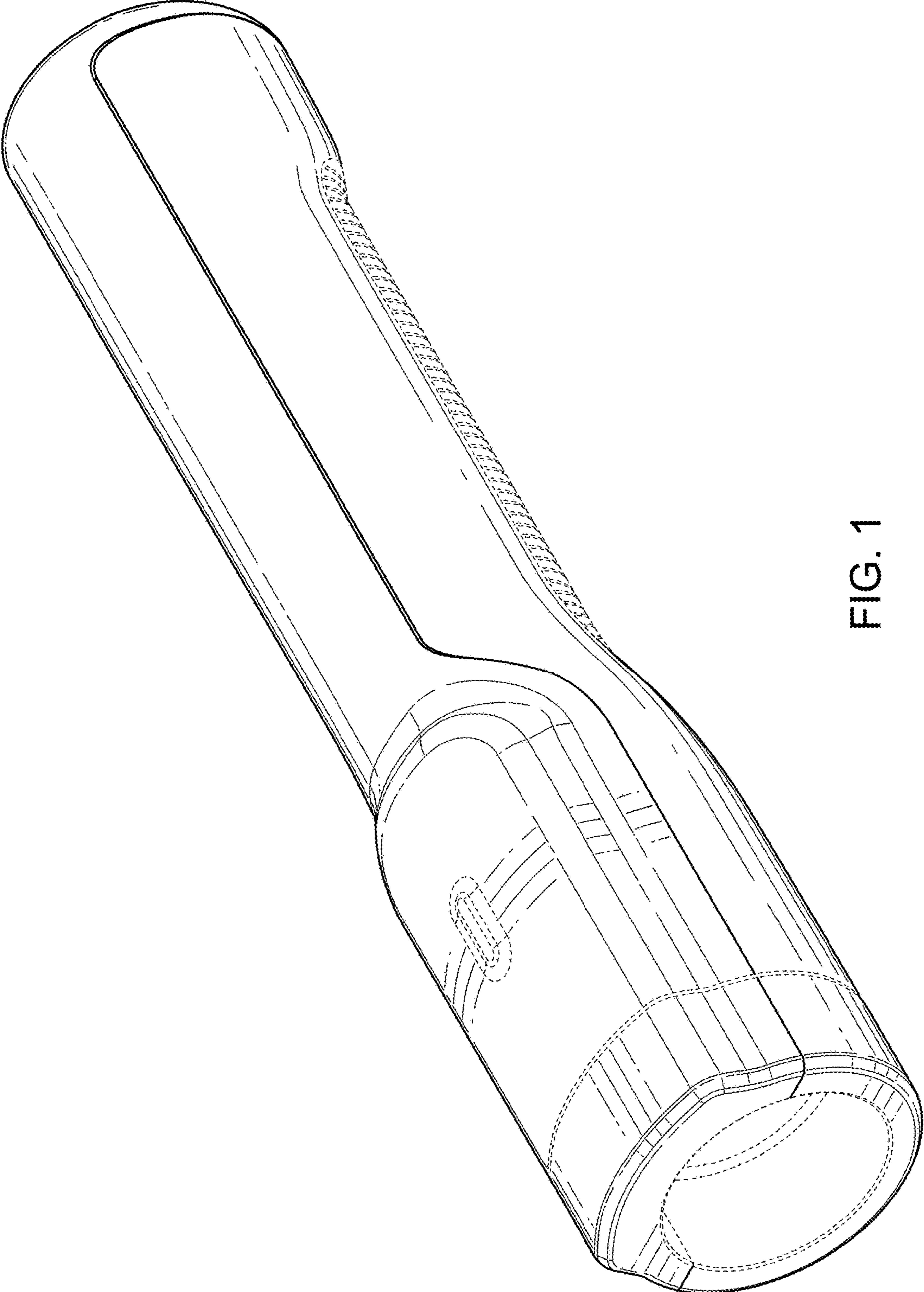


FIG. 1

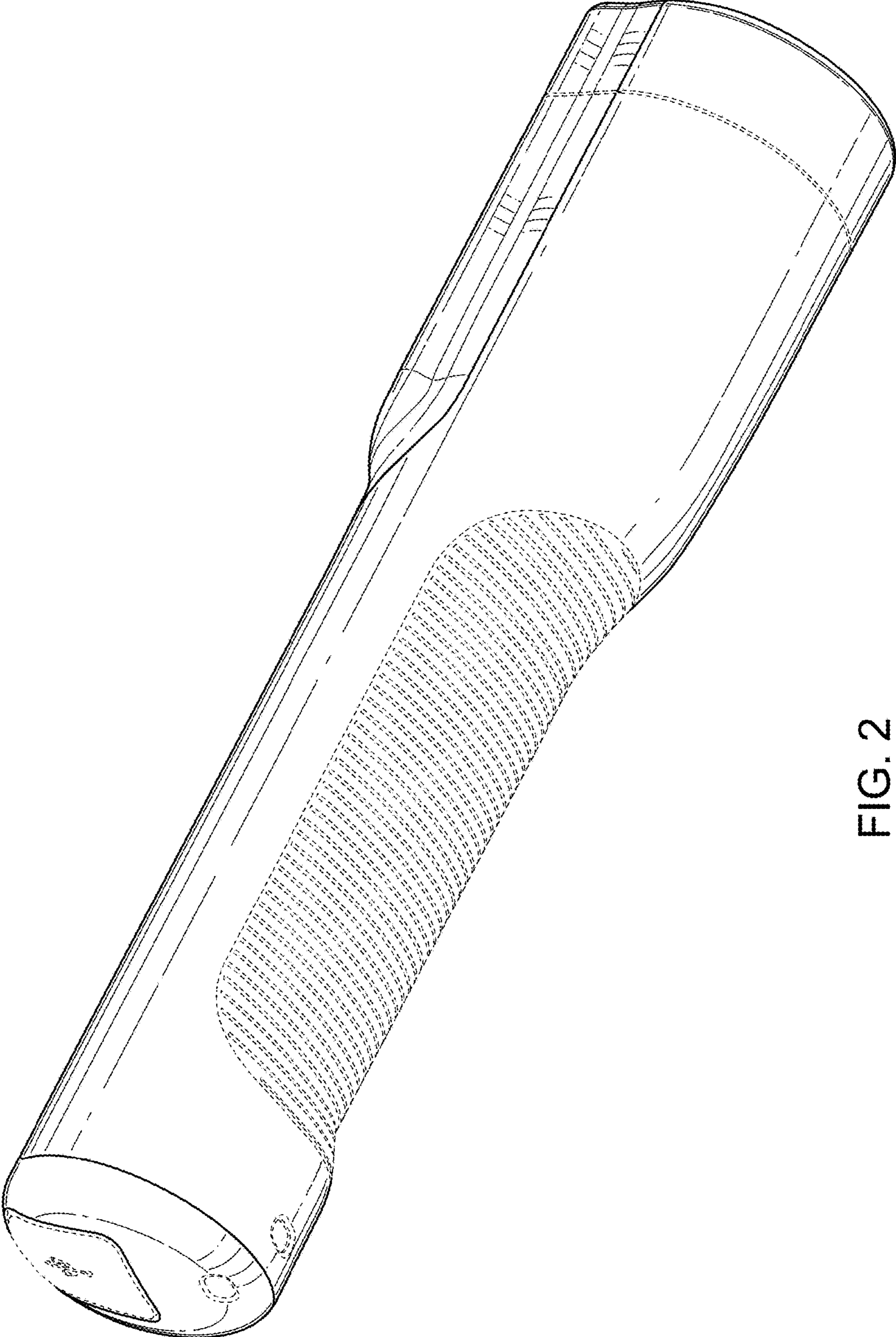


FIG. 2

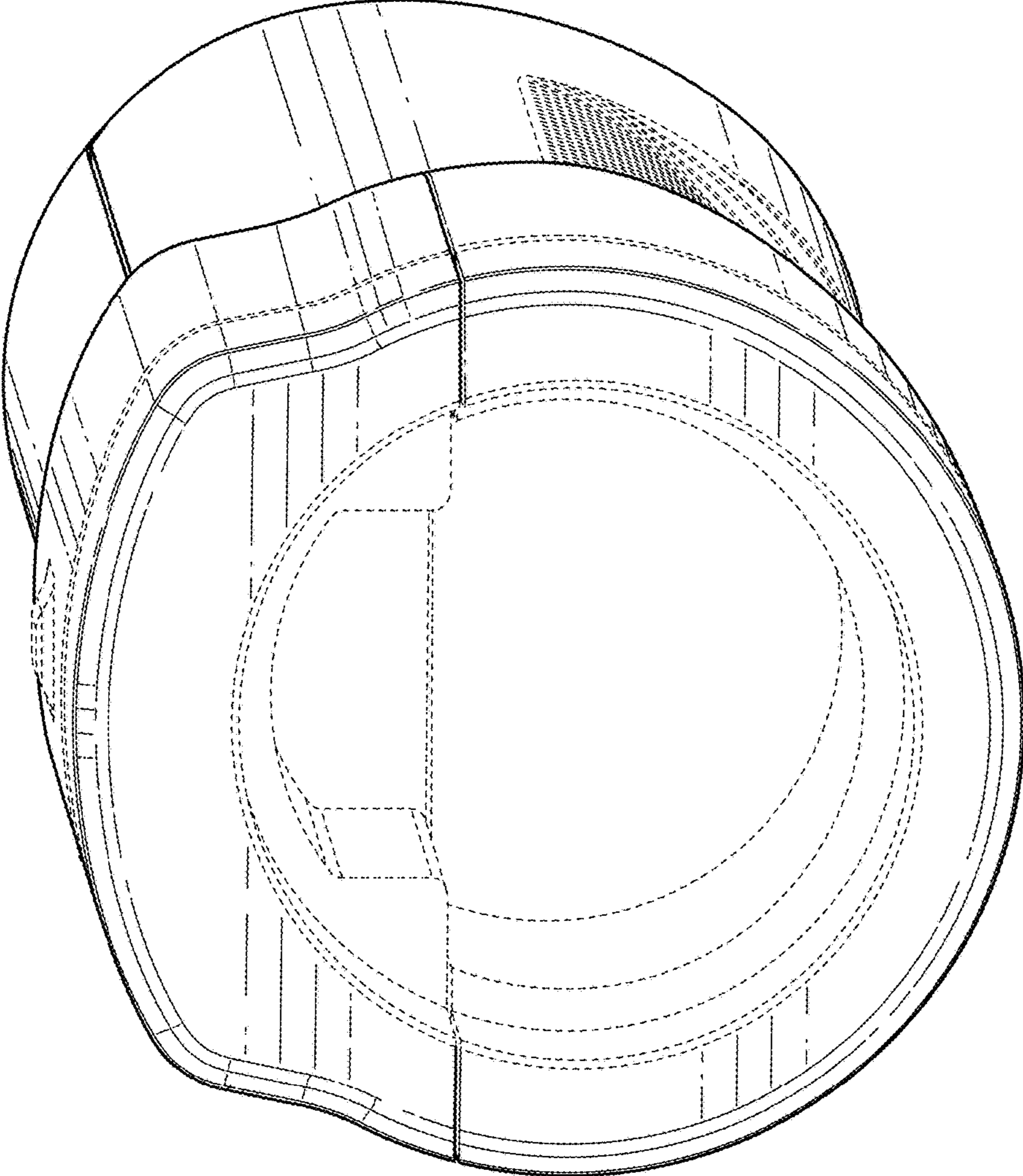


FIG. 3

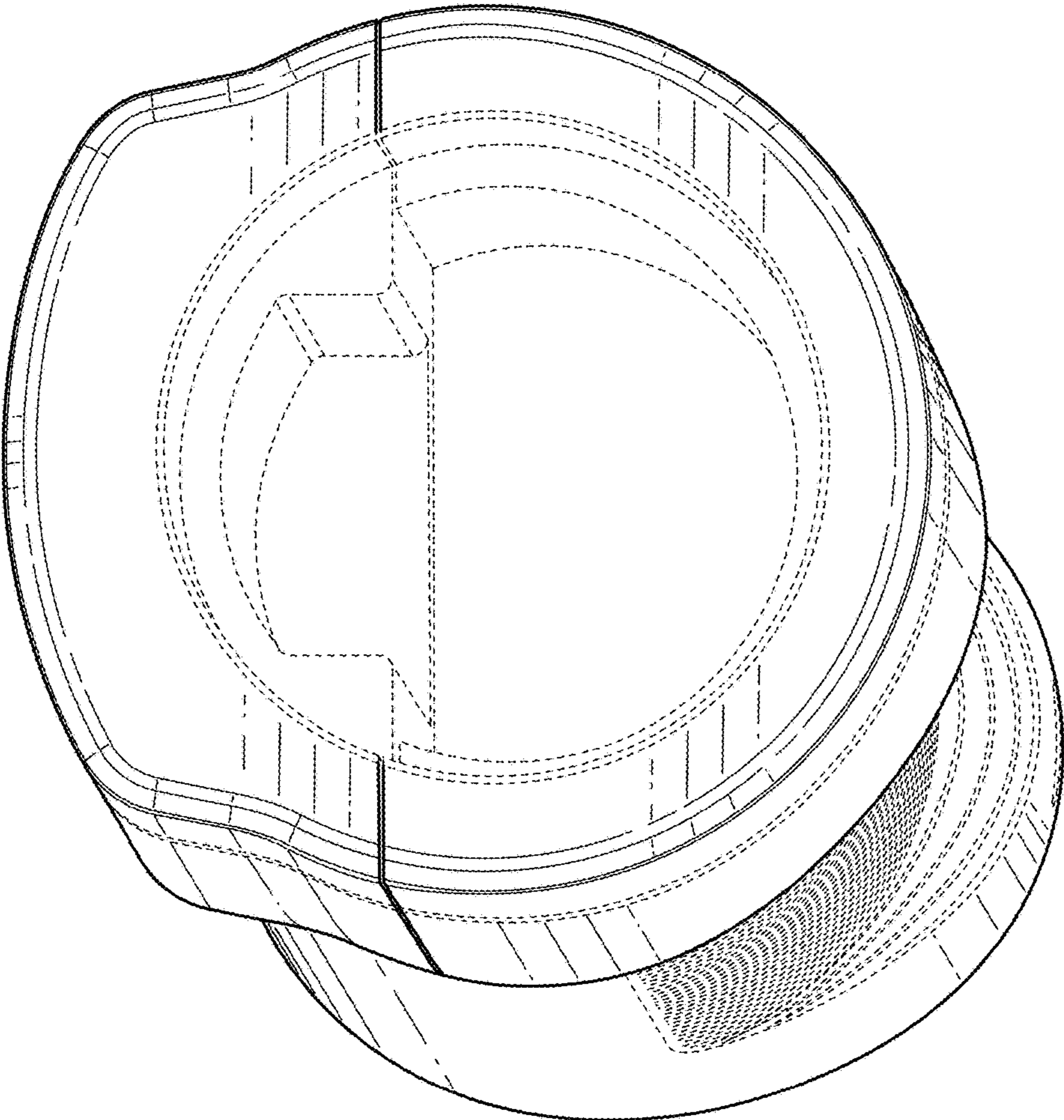


FIG. 4

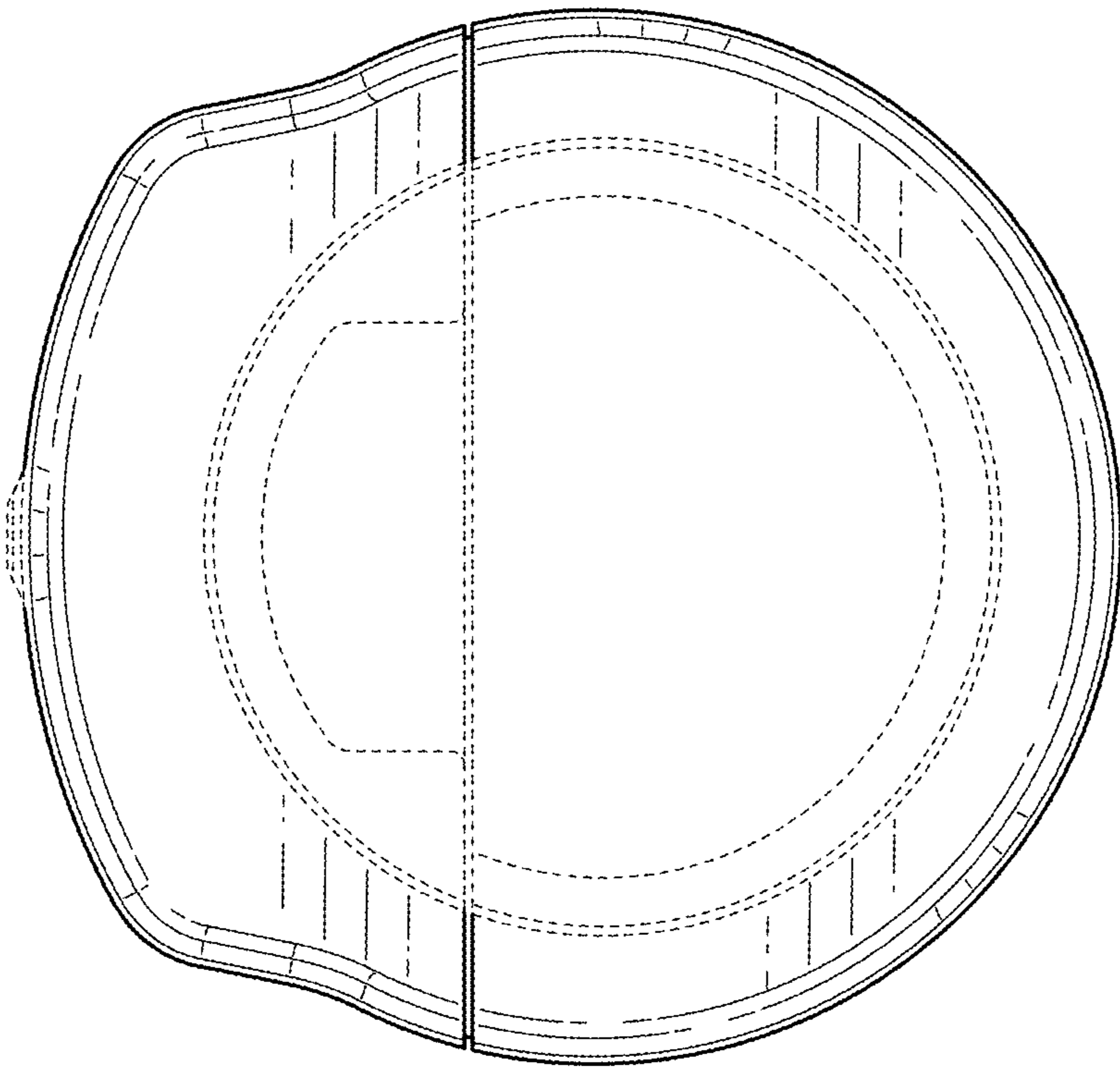


FIG. 5

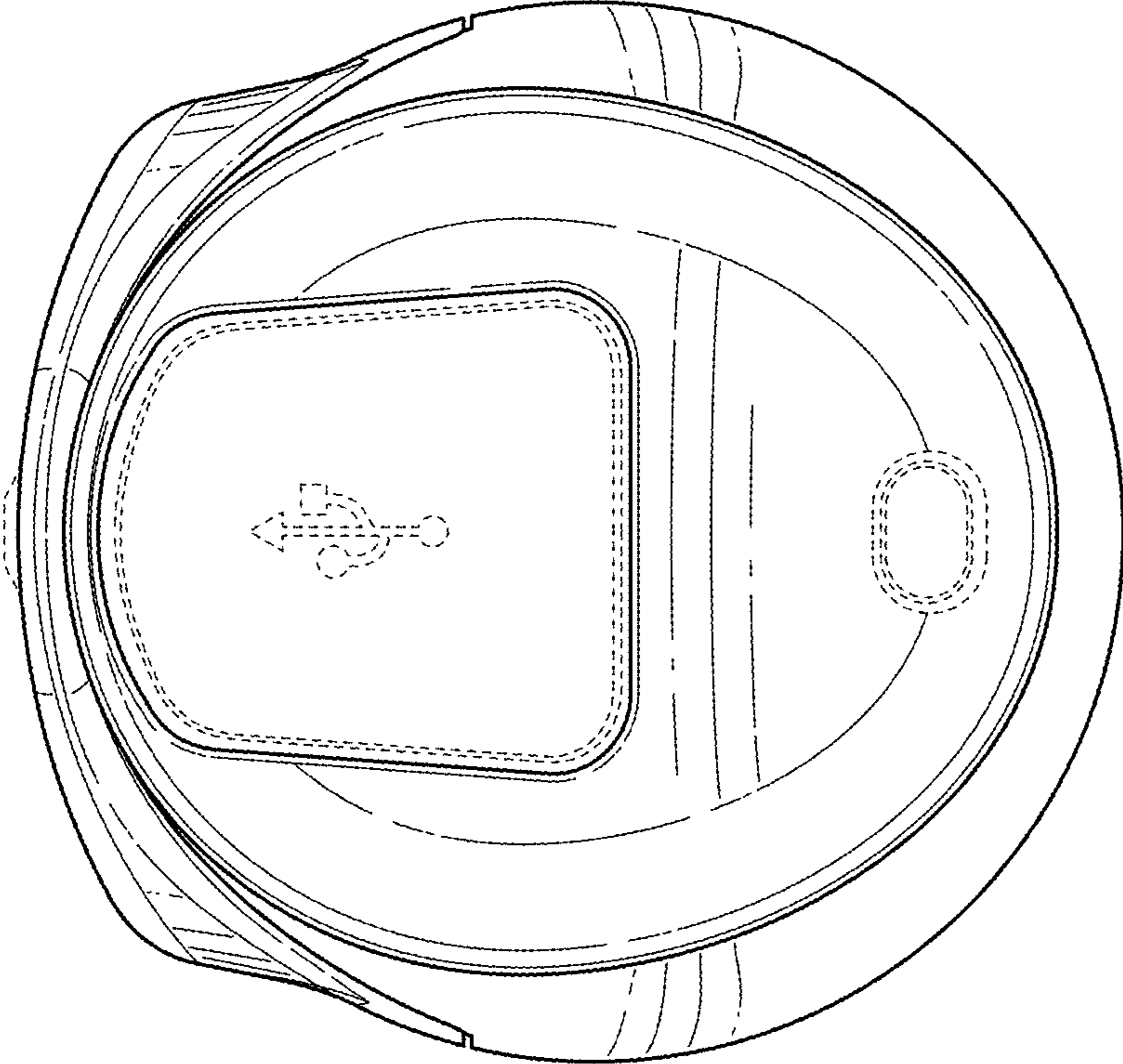


FIG. 6

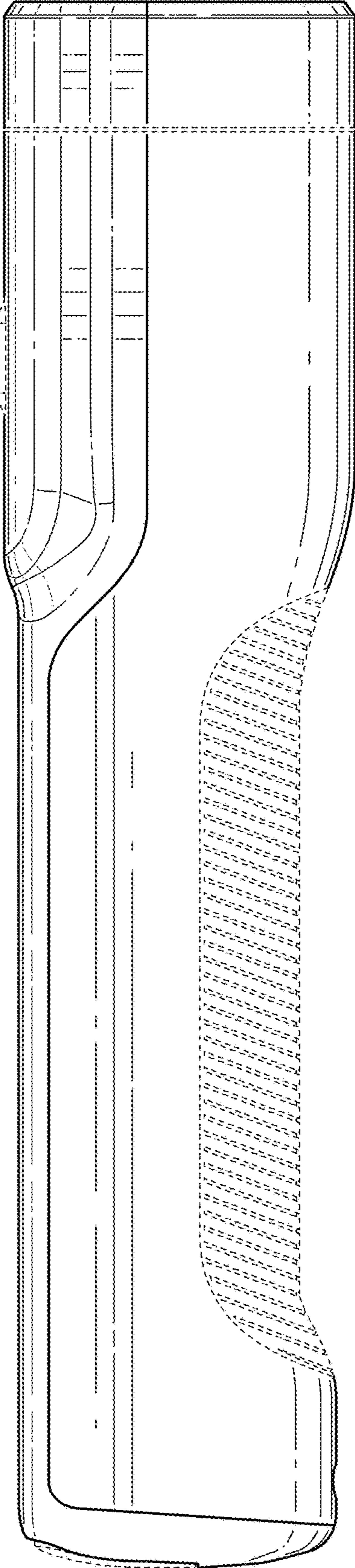


FIG. 7

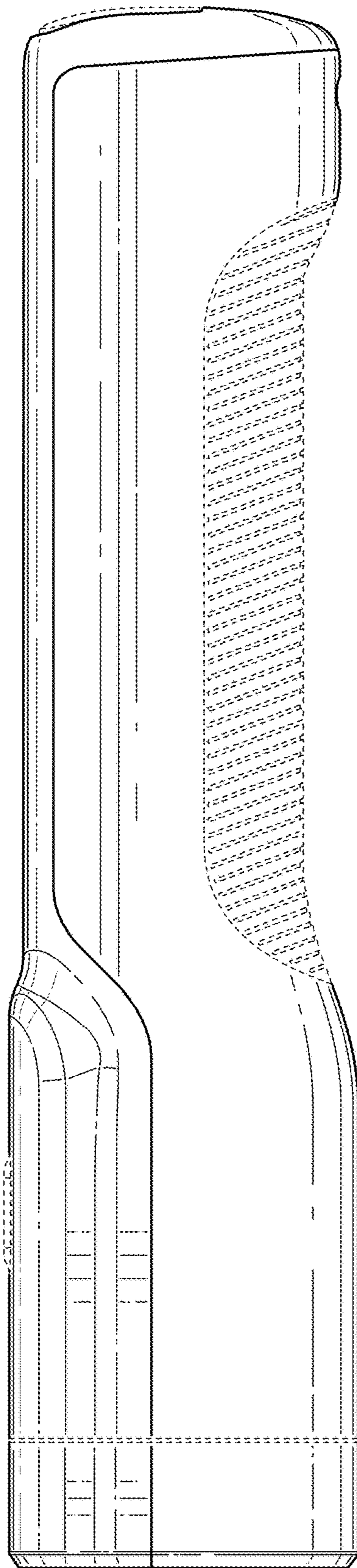


FIG. 8

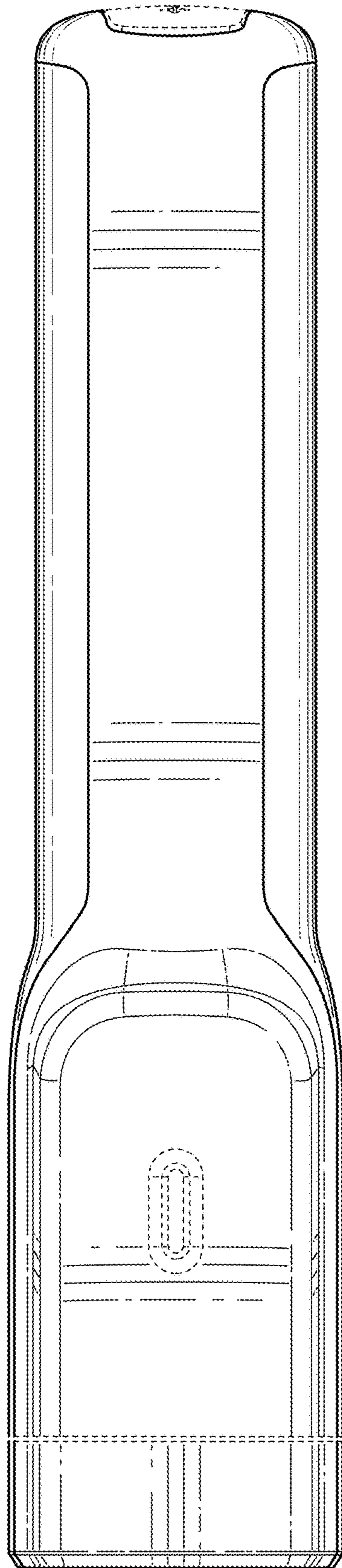


FIG. 9

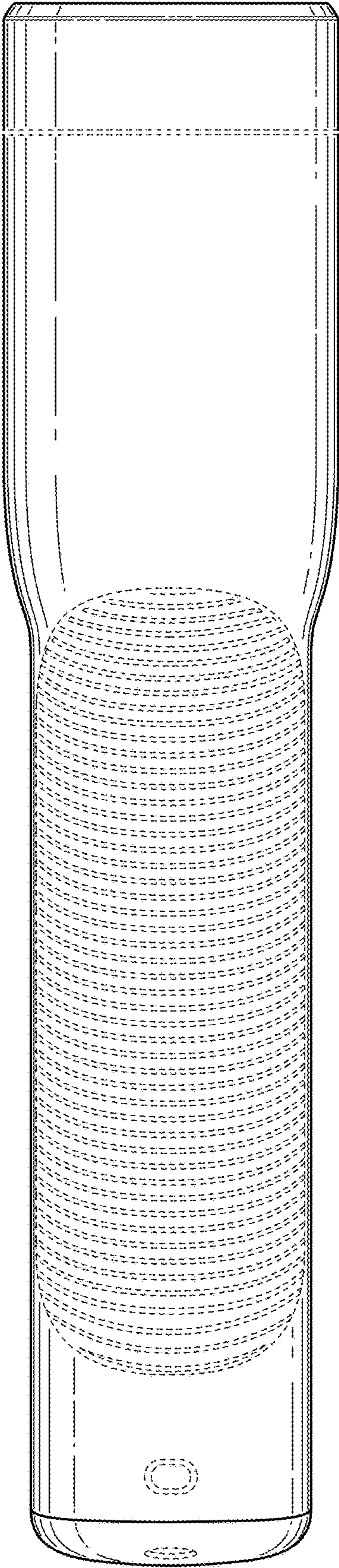


FIG. 10