



US00D819117S

(12) **United States Design Patent**  
**Lee et al.**

(10) **Patent No.:** **US D819,117 S**  
(45) **Date of Patent:** **\*\* May 29, 2018**

(54) **CAMERA ARM MOUNT**

- (71) Applicant: **GoPro, Inc.**, San Mateo, CA (US)
- (72) Inventors: **Seung Heon Lee**, Cupertino, CA (US);  
**Ryan Harrison**, Walpole, NH (US)
- (73) Assignee: **GoPro, Inc.**, San Mateo, CA (US)
- (\*\*) Term: **15 Years**
- (21) Appl. No.: **29/594,254**
- (22) Filed: **Feb. 16, 2017**

**Related U.S. Application Data**

- (63) Continuation of application No. 29/548,666, filed on Dec. 15, 2015, now Pat. No. Des. 783,079.
- (51) **LOC (11) Cl.** ..... **16-05**
- (52) **U.S. Cl.**  
USPC ..... **D16/242**
- (58) **Field of Classification Search**  
USPC ..... D16/208, 213, 235, 237-250; D8/313,  
D8/349, 382, 383; D14/250-253;  
D15/2-6, 138, 144  
CPC .... G03B 17/56; G03B 17/561-17/568; F16M  
11/02; F16M 11/20; F16M 11/40  
See application file for complete search history.

(56) **References Cited**

**U.S. PATENT DOCUMENTS**

2,336,104	A	12/1943	Laube	
4,341,452	A	7/1982	Korling	
4,763,151	A *	8/1988	Klinger	..... F16M 11/041 248/179.1
5,092,552	A *	3/1992	Dayton	..... F16C 11/0661 248/181.1
D594,050	S	6/2009	Gartner et al.	
7,621,680	B2	11/2009	Frick et al.	
D706,603	S	6/2014	Kokawa et al.	
8,794,579	B2 *	8/2014	Sturman	..... F16M 11/105 248/160

(Continued)

**FOREIGN PATENT DOCUMENTS**

CN	201430157179	*	5/2014
CN	201630247320	*	6/2016

**OTHER PUBLICATIONS**

Suction Cup & Locking Arm. Online, published date unknown. Retrieved on Jan. 11, 2018 from URL: <https://joby.com/suction-cup-with-locking-arm>.\*

(Continued)

*Primary Examiner* — Vy N Koenig  
*Assistant Examiner* — Omeed Agilee  
(74) *Attorney, Agent, or Firm* — Young Basile Hanlon & MacFarlane, P.C.

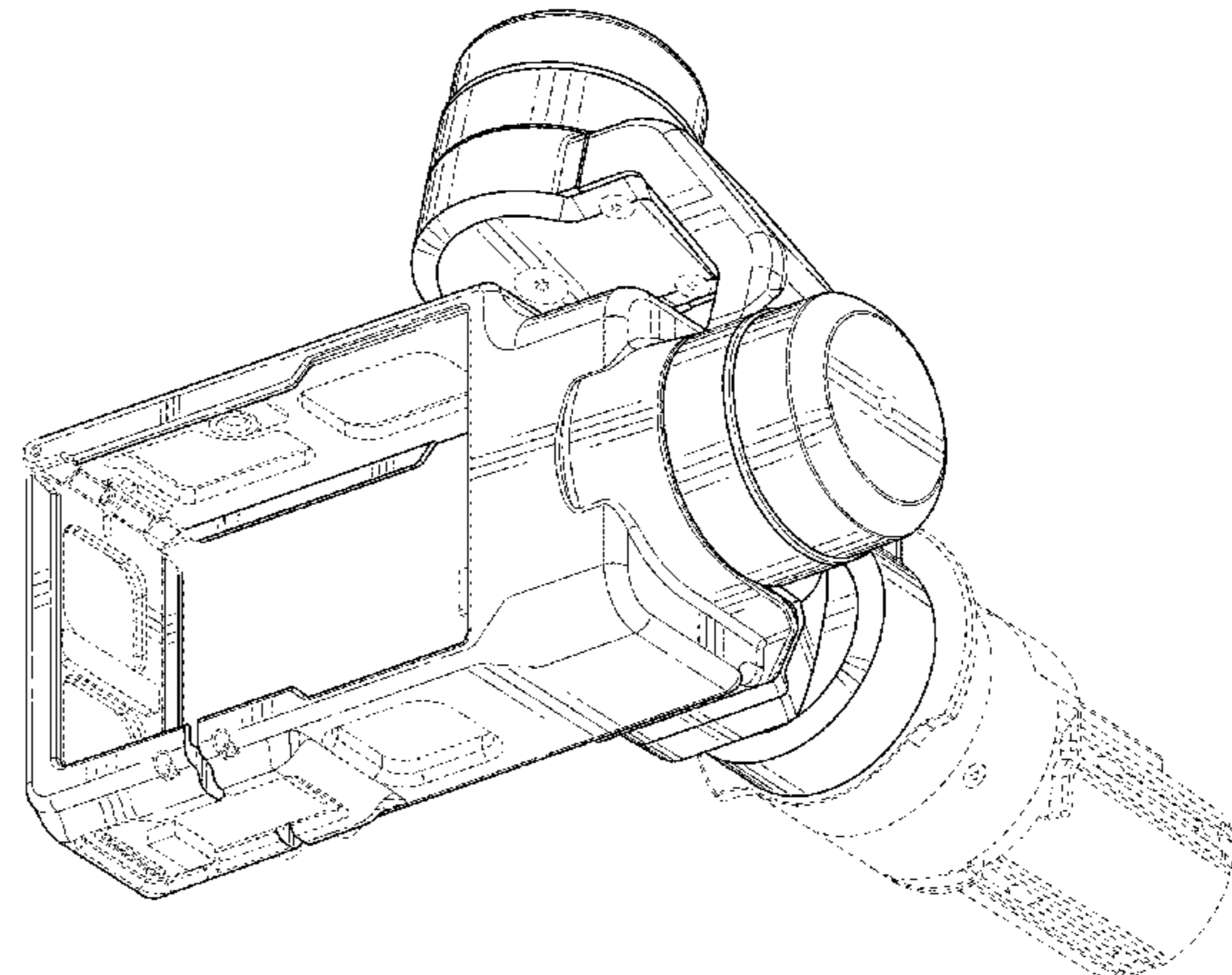
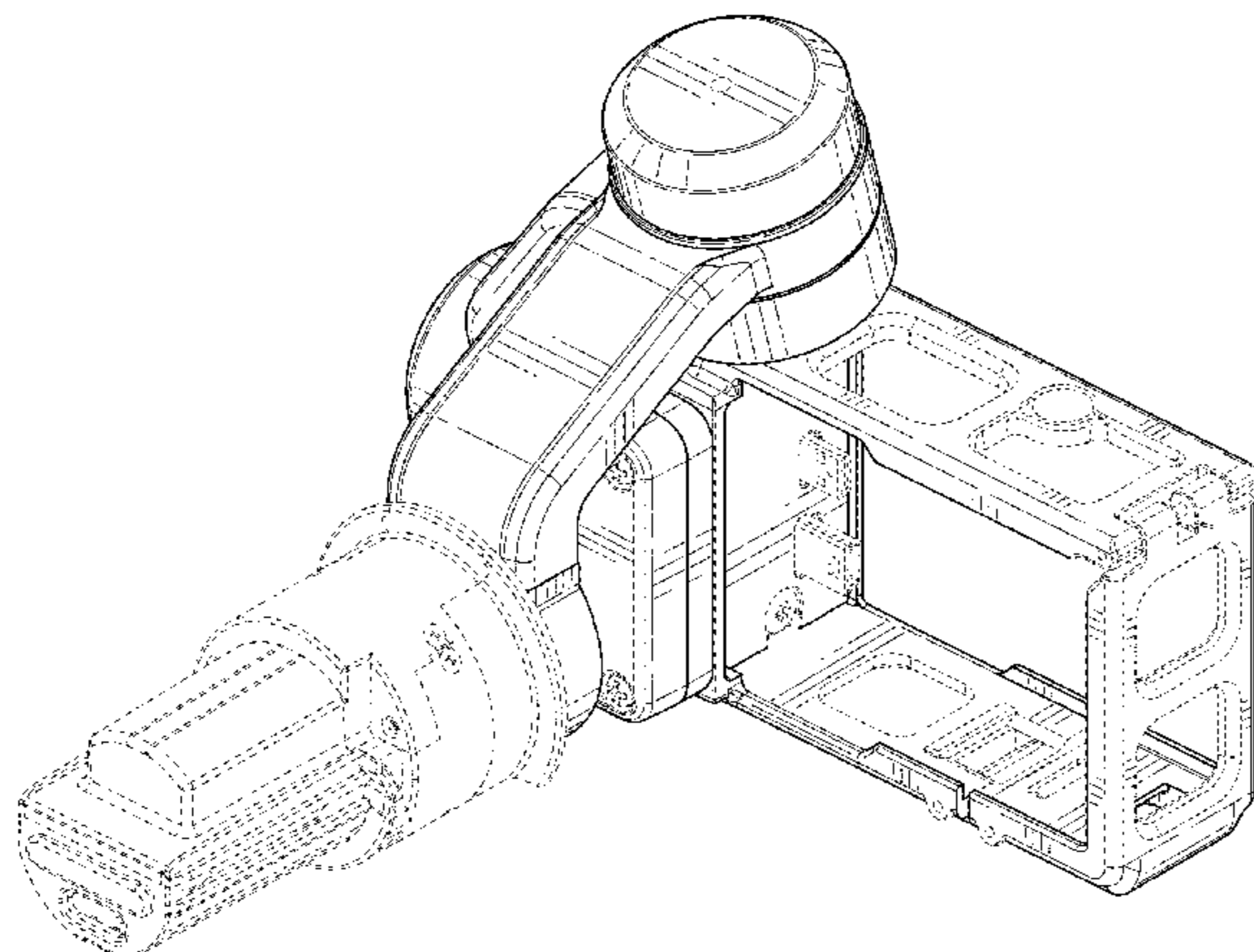
(57) **CLAIM**

The ornamental design for a camera arm mount, as shown and described.

**DESCRIPTION**

FIG. 1 is a rear, top, and left perspective view of a camera arm mount;  
FIG. 2 is a front, bottom, and right perspective view thereof;  
FIG. 3 is a rear, top, and right perspective view thereof;  
FIG. 4 is a front, bottom, and left perspective view thereof;  
FIG. 5 is a front plan view thereof;  
FIG. 6 is a rear plan view thereof;  
FIG. 7 is a right view thereof;  
FIG. 8 is a left view thereof;  
FIG. 9 is a top view thereof; and,  
FIG. 10 is a bottom view thereof.  
The broken lines in the drawings are included for the purpose of illustrating environmental structure and form no part of the claimed design.

**1 Claim, 10 Drawing Sheets**



(56)

References Cited

U.S. PATENT DOCUMENTS

D732,601 S \* 6/2015 Coyle ..... D16/237  
 D737,647 S 9/2015 Elder et al.  
 D755,277 S 5/2016 Sohnholz  
 D758,474 S 6/2016 Harrison et al.  
 D768,754 S \* 10/2016 Bennett ..... D16/242  
 D783,079 S \* 4/2017 Lee ..... D16/242  
 D790,000 S \* 6/2017 Wang ..... D16/200  
 9,816,666 B2 \* 11/2017 Wang ..... F16M 13/04  
 2008/0152337 A1 6/2008 Gartner et al.  
 2014/0226055 A1 8/2014 Schmidt et al.  
 2015/0168815 A1 6/2015 Chen  
 2016/0229556 A1 \* 8/2016 Zhou ..... B64D 47/08  
 2016/0246162 A1 \* 8/2016 Niemeyer ..... F16M 11/18  
 2017/0192341 A1 \* 7/2017 Casarez ..... G03B 17/561

OTHER PUBLICATIONS

amazon.com, "Action Video Suction Cup with Locking Arm From JOBY—Easy to Use Anti-Vibration Mount for GoPro and Other Action Video Cameras," Oct. 23, 2014, nine pages. [Online] [retrieved Nov. 2, 2016] Retrieved from the internet <[https://www.amazon.com/Suction-Locking-JOBY-Easy-Anti-Vibration-Cameras/dp/B0008R7A72/ref=pd\\_sim\\_421\\_2?\\_encoding=UTF8&pd\\_rd\\_i=B0008R7A72&pd\\_rd\\_r=AGCVZH2ZHQKHT5BBX2GZ&pdrd\\_w=7Jkpc&Pdrd\\_wg=OMkYF&pssc=1&refRID=AGCVZH2ZHQKHT5BB3X2GZ](https://www.amazon.com/Suction-Locking-JOBY-Easy-Anti-Vibration-Cameras/dp/B0008R7A72/ref=pd_sim_421_2?_encoding=UTF8&pd_rd_i=B0008R7A72&pd_rd_r=AGCVZH2ZHQKHT5BBX2GZ&pdrd_w=7Jkpc&Pdrd_wg=OMkYF&pssc=1&refRID=AGCVZH2ZHQKHT5BB3X2GZ)>.

GoPro, "Karma Stabilizer," Date Unknown, two pages. [Online] [Retrieved Nov. 2, 2016] Retrieved from the internet <<http://shop.gopro.com/accessories-2/karma-stabilizer/AGMBL-001.html>>.  
 United States Office Action, U.S. Appl. No. 29/548,666, dated Nov. 17, 2016, eight pages.  
 Action Video Suction Cup. [online] Published date Oct. 23, 2014. Retrieved on Nov. 2, 2016 from <URL: <https://www.amazon.com/Suction-Locking-JOBY-Easy-Anti-Vibration-Cameras/d-p/B0008R7A72/ref=pd.sub.--sim.sub.--421.sub.--2?.sub.--encoding=UTF8&pd.sub.--rd.sub.--i=B0008R7A72&pd.sub.--rd.sub.--r=AGCVZH2ZHQKHT5BBX2Gz&pdsu.-.w=7Jkpc&pd.sub.--rd.sub.--wg=DMkYF&pssc=1&refRID=AGCVZH2ZHQKHT5B-BX2GZ>>.  
 Karma Stabilizer. [online] Published date unknown. Retrieved on Nov. 10, 2016 from <URL: <http://shop.gopro.com/accessories-2/karma-stabilizer/AGMBL-001.html>>.

\* cited by examiner

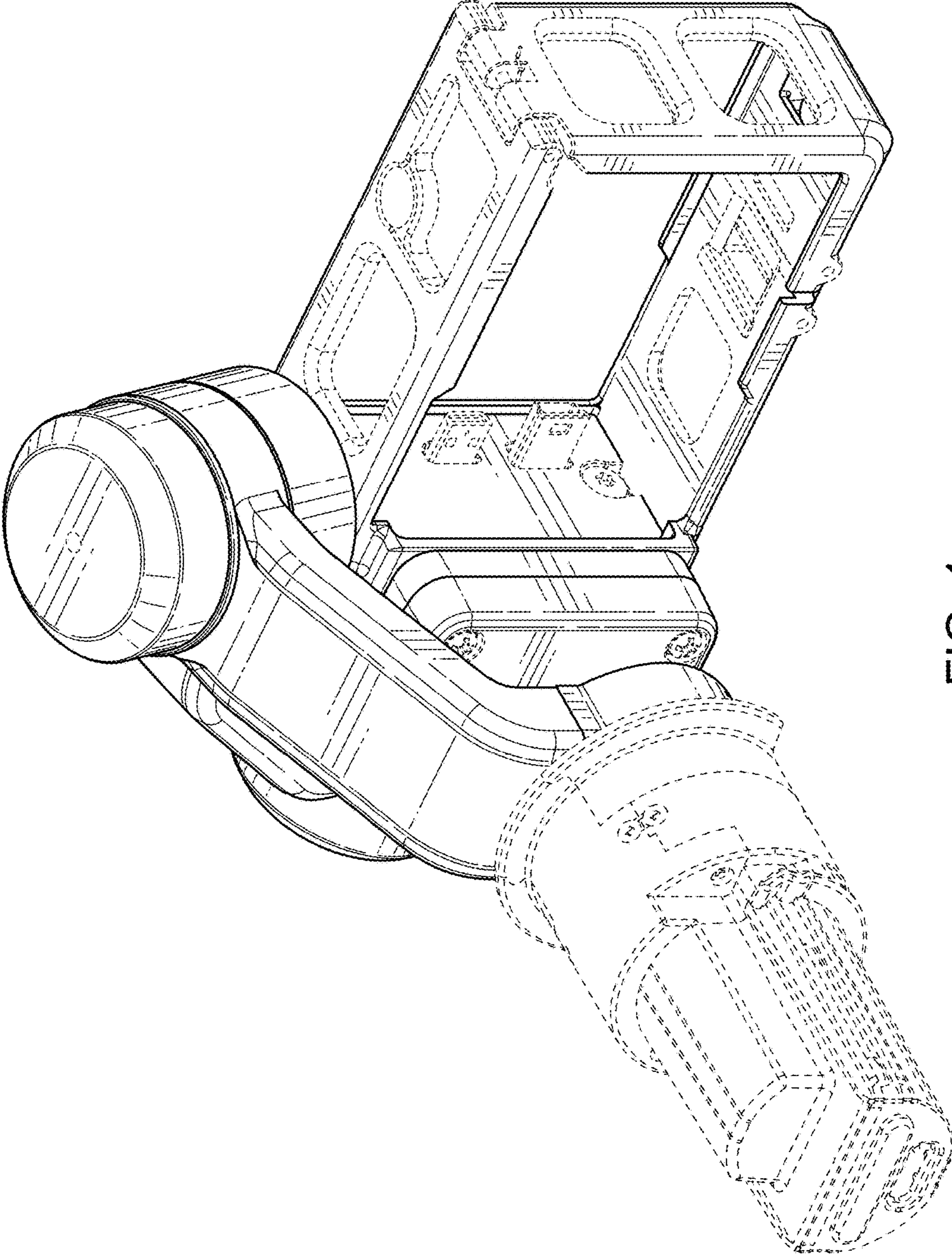


FIG. 1

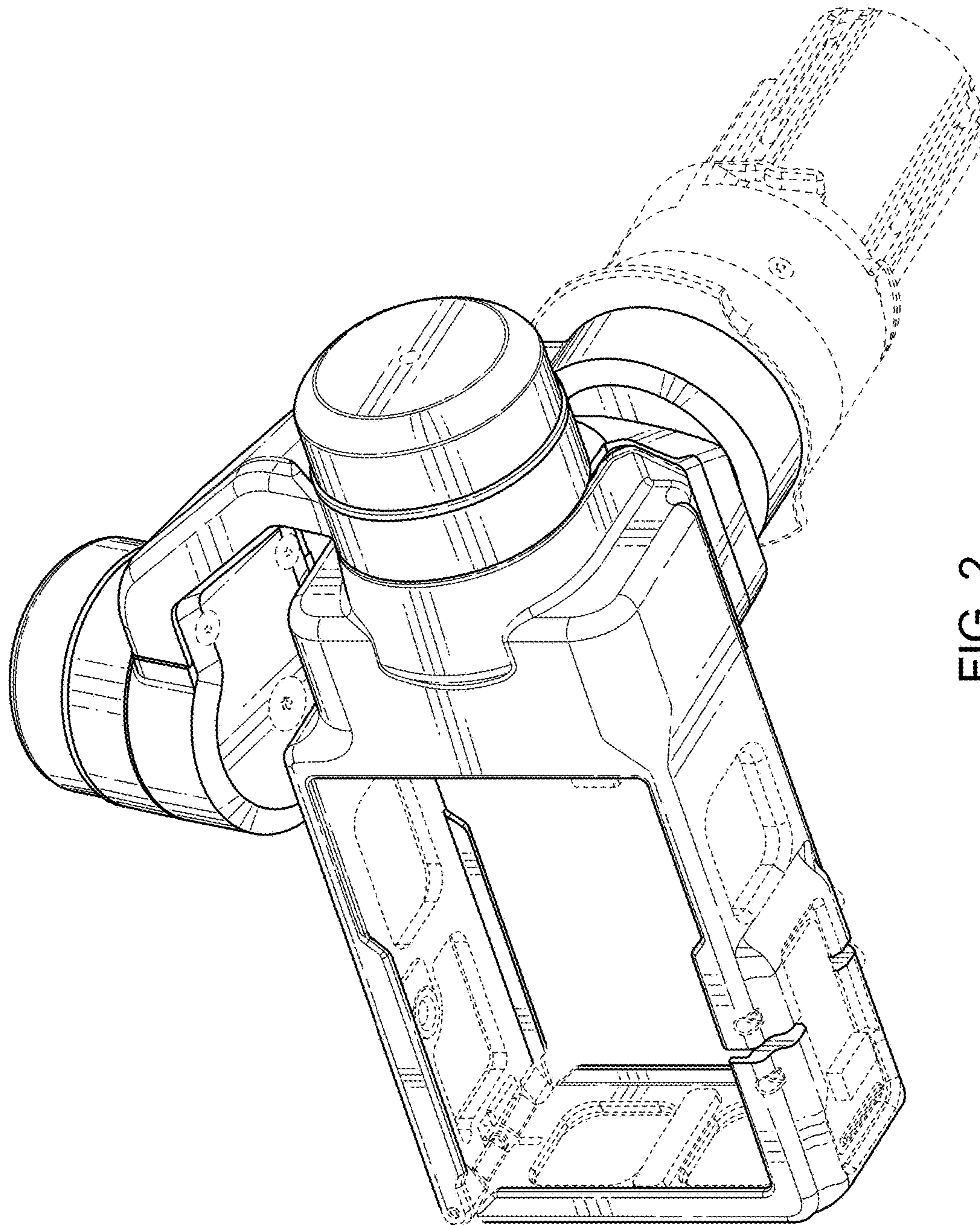


FIG. 2

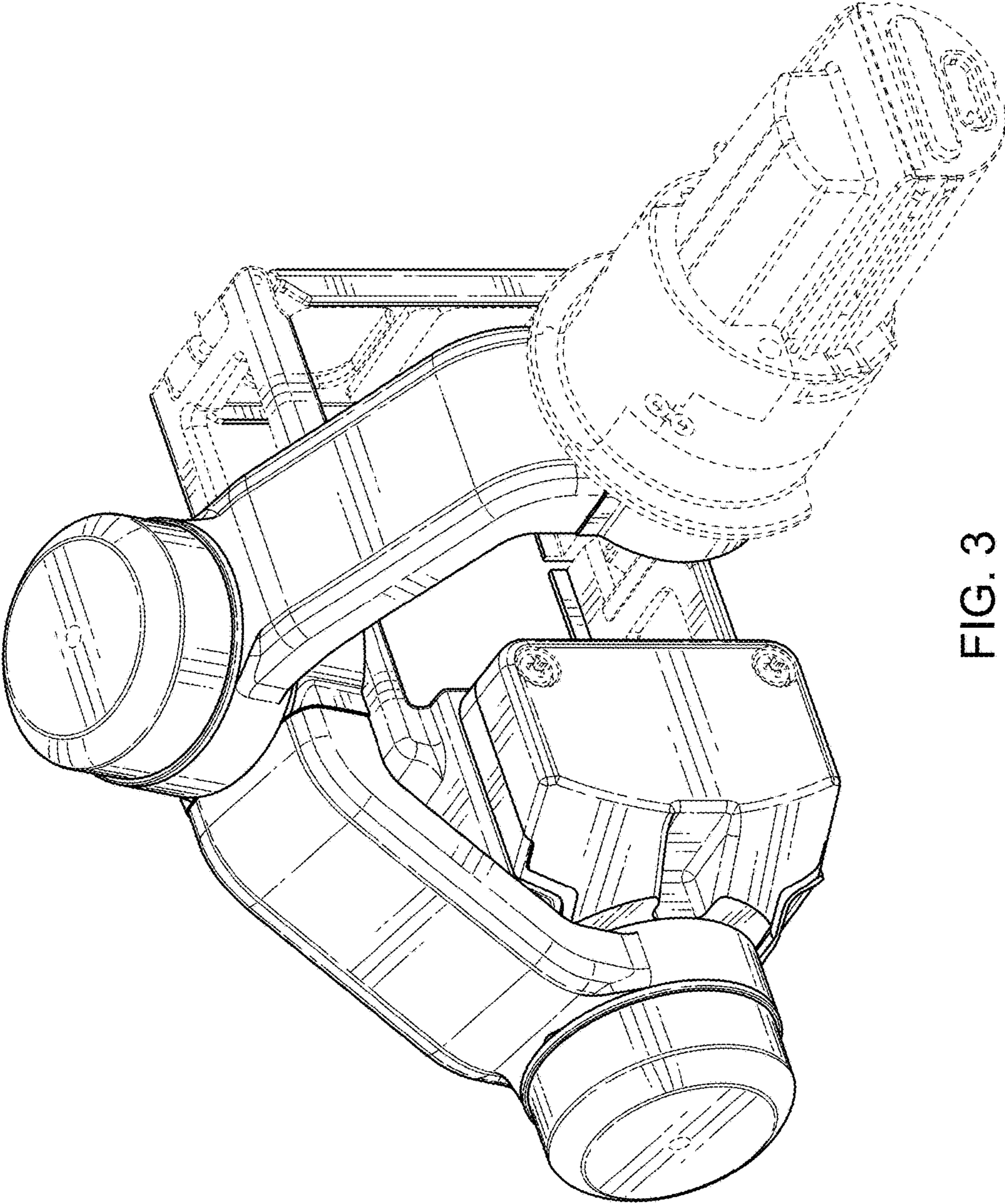


FIG. 3

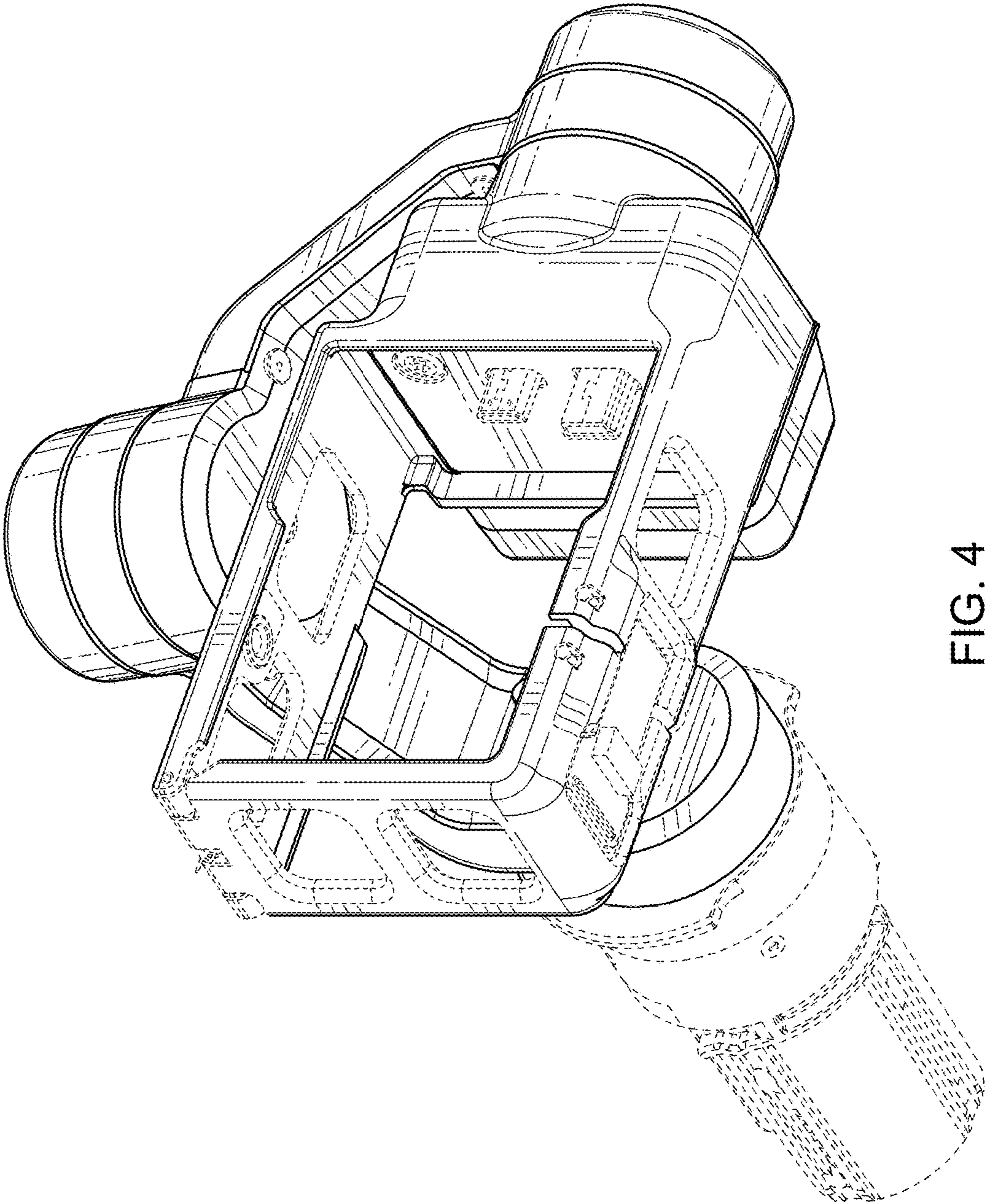


FIG. 4

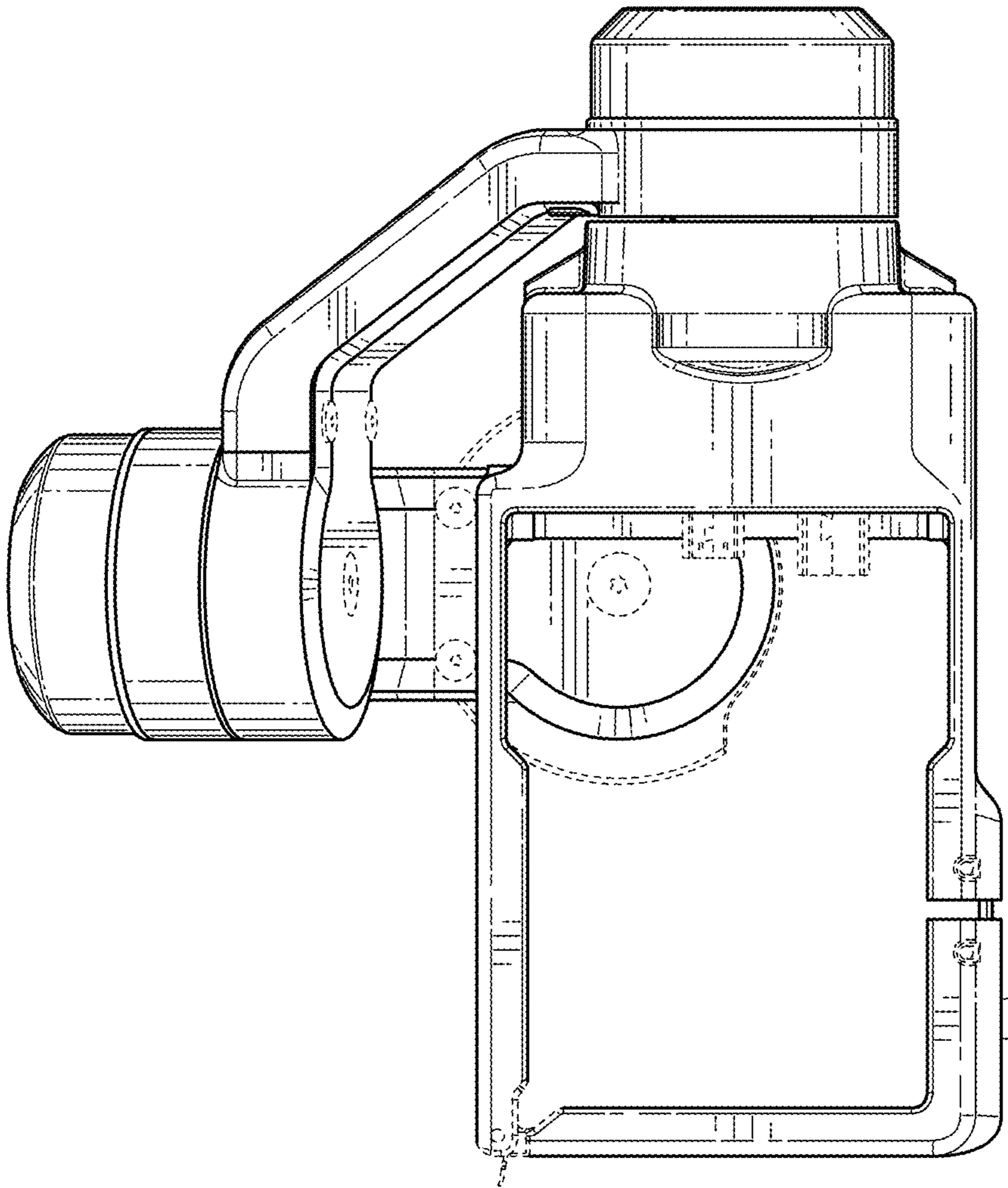


FIG. 5

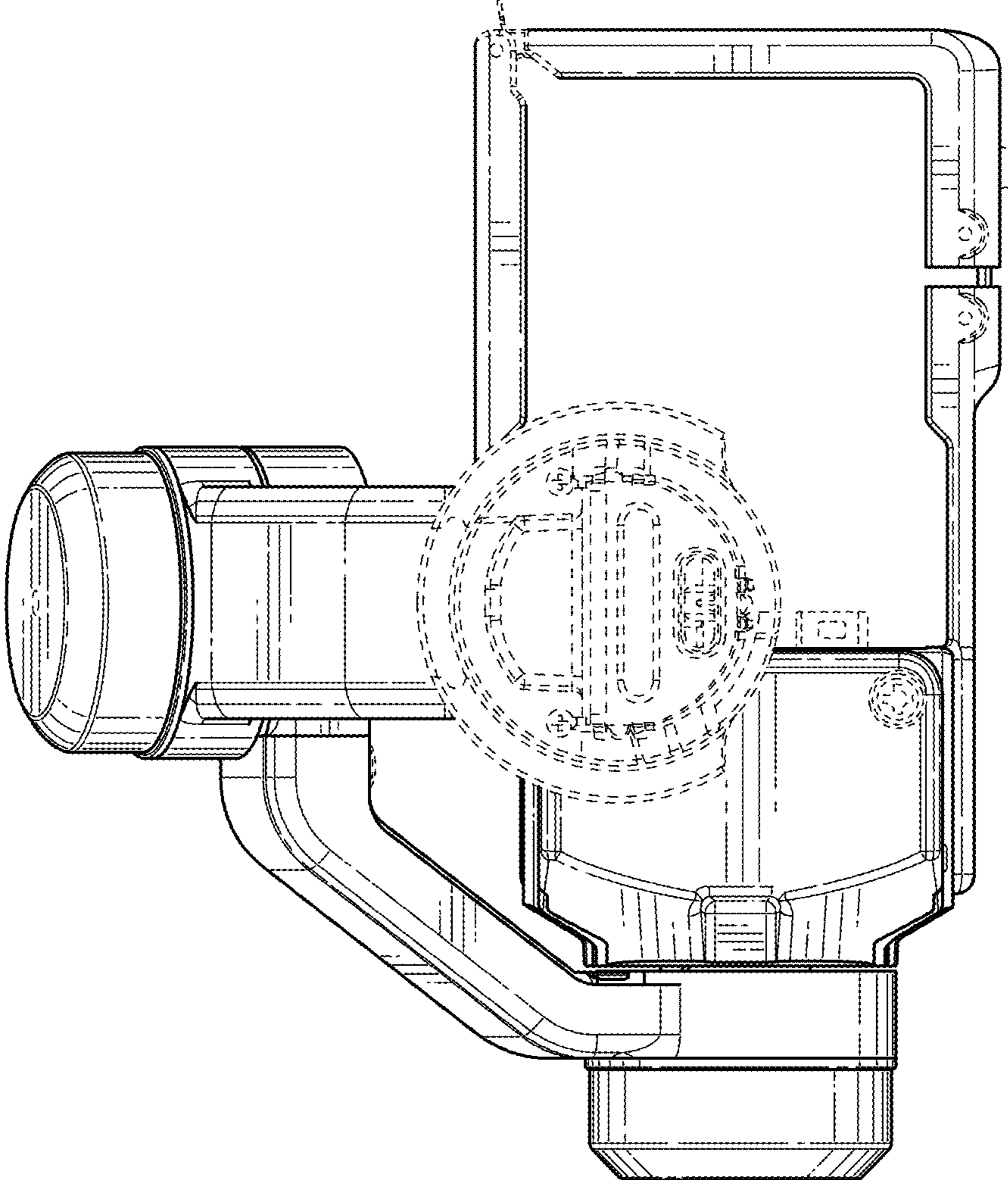


FIG. 6



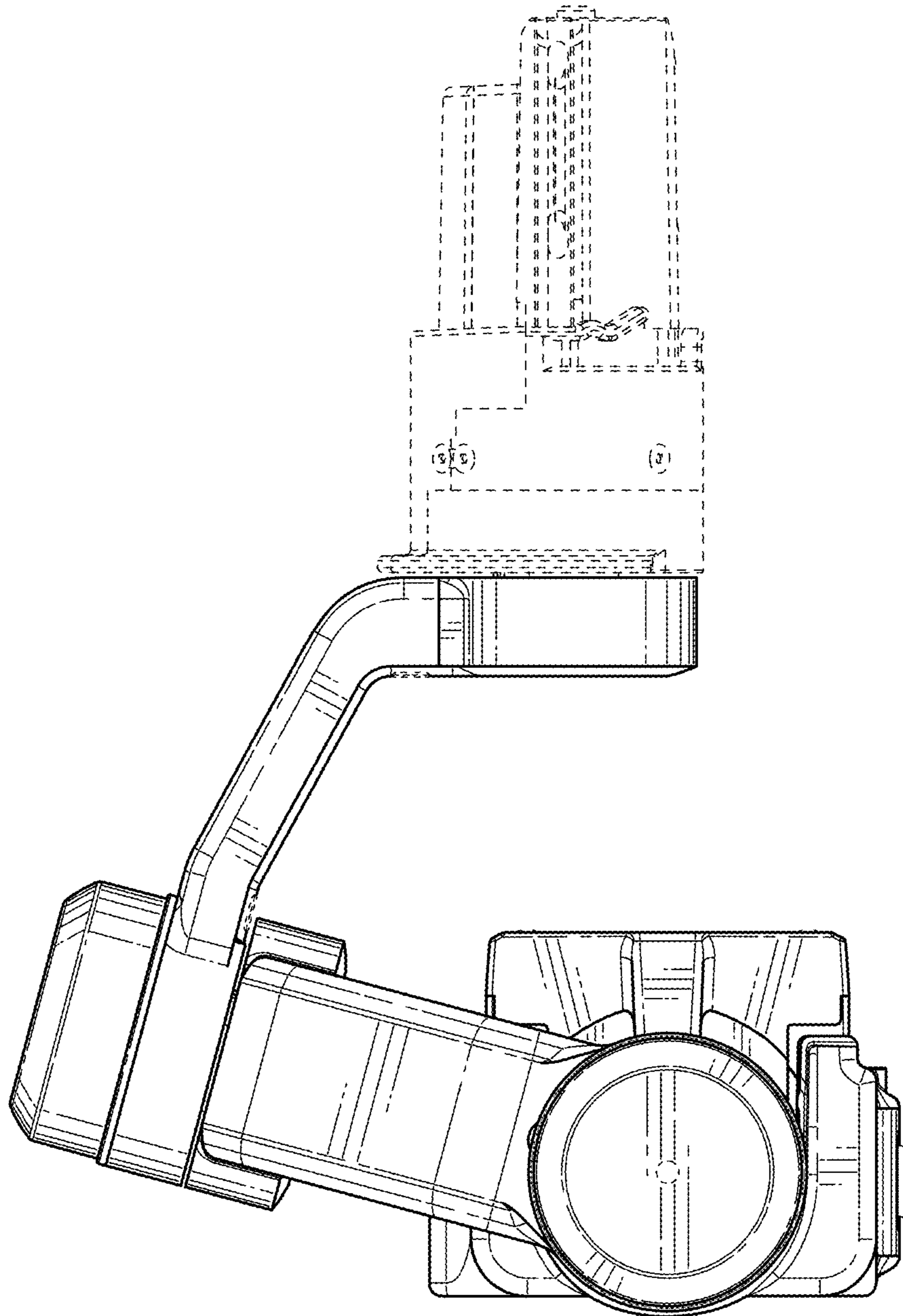


FIG. 7

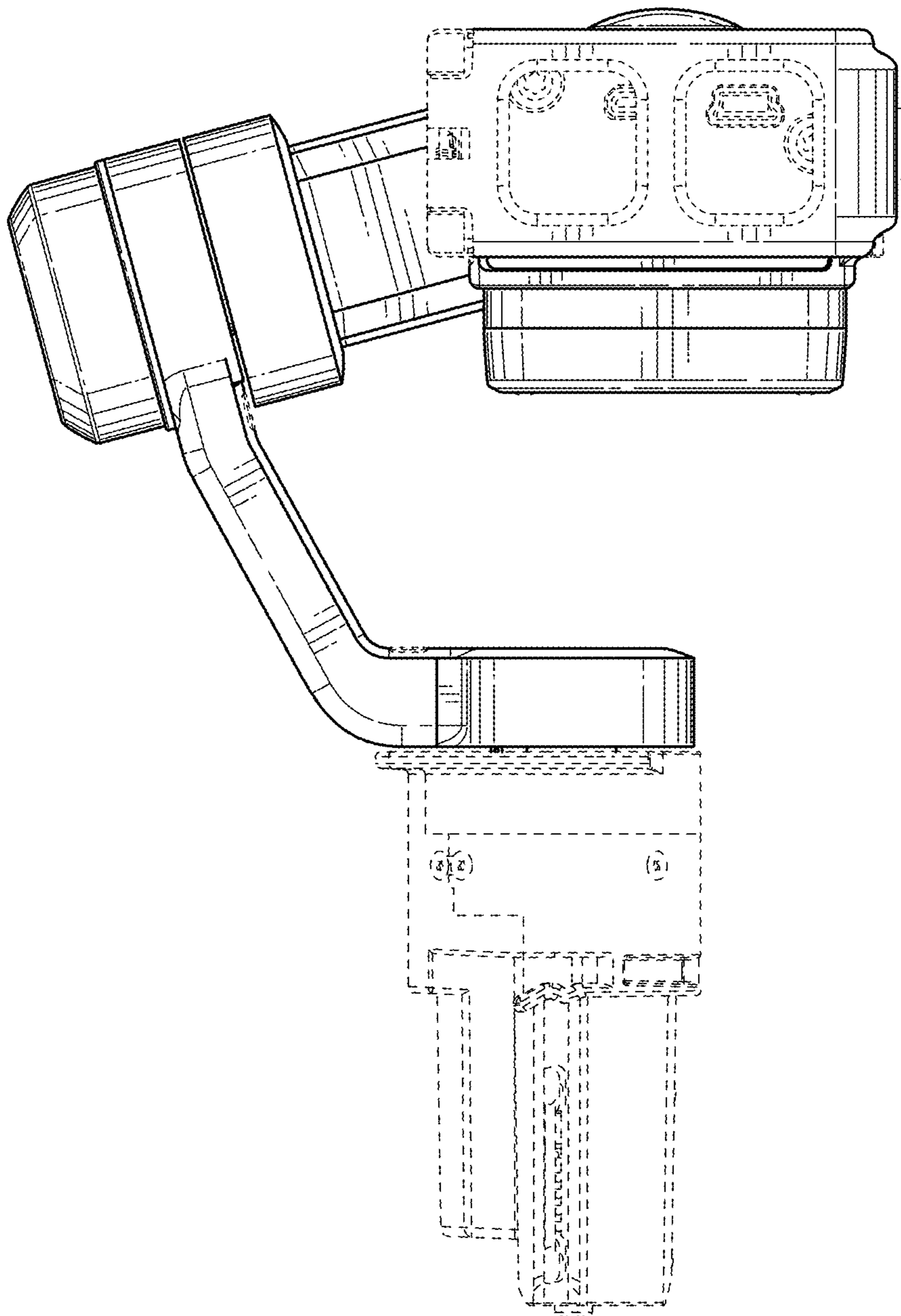


FIG. 8

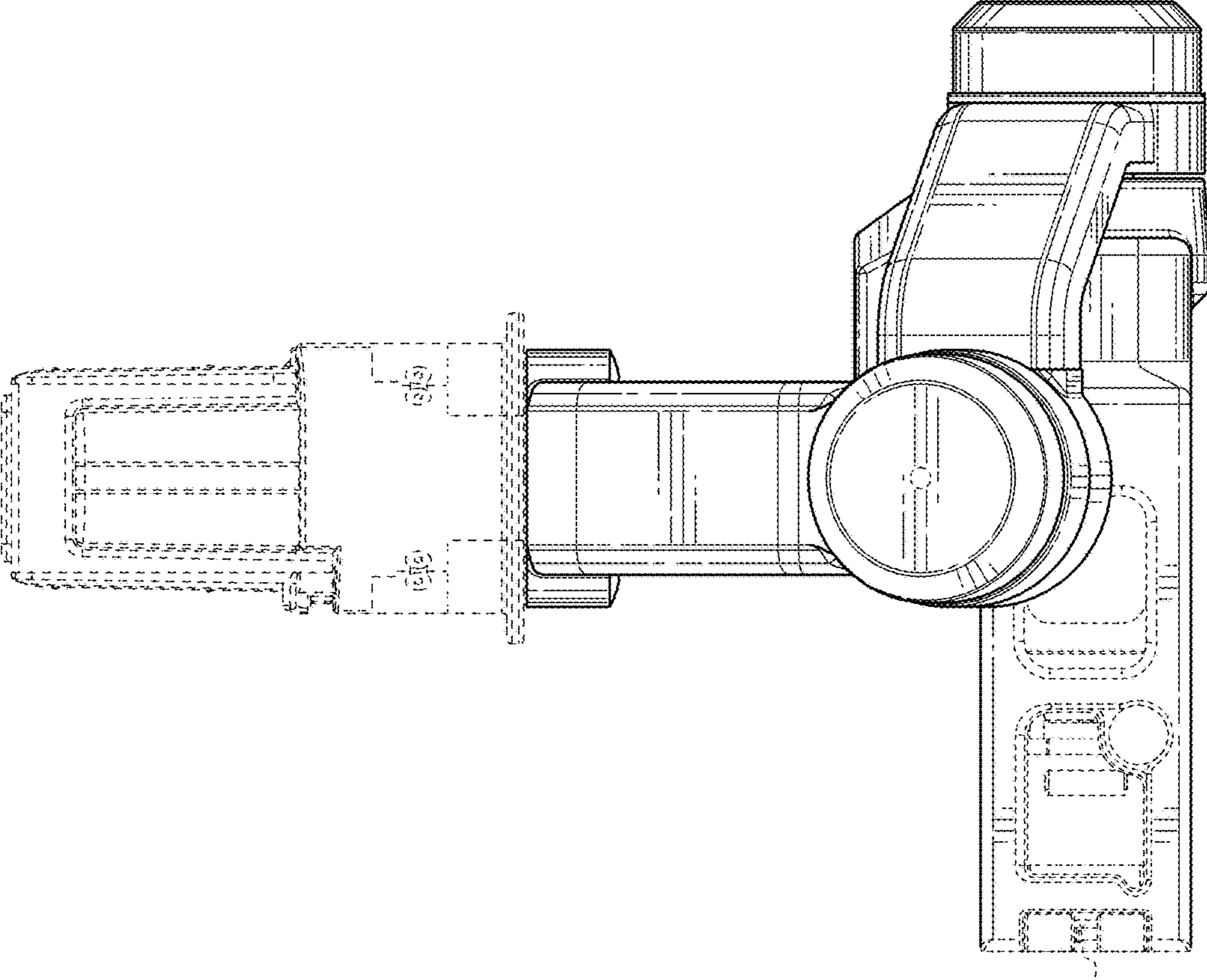


FIG. 9

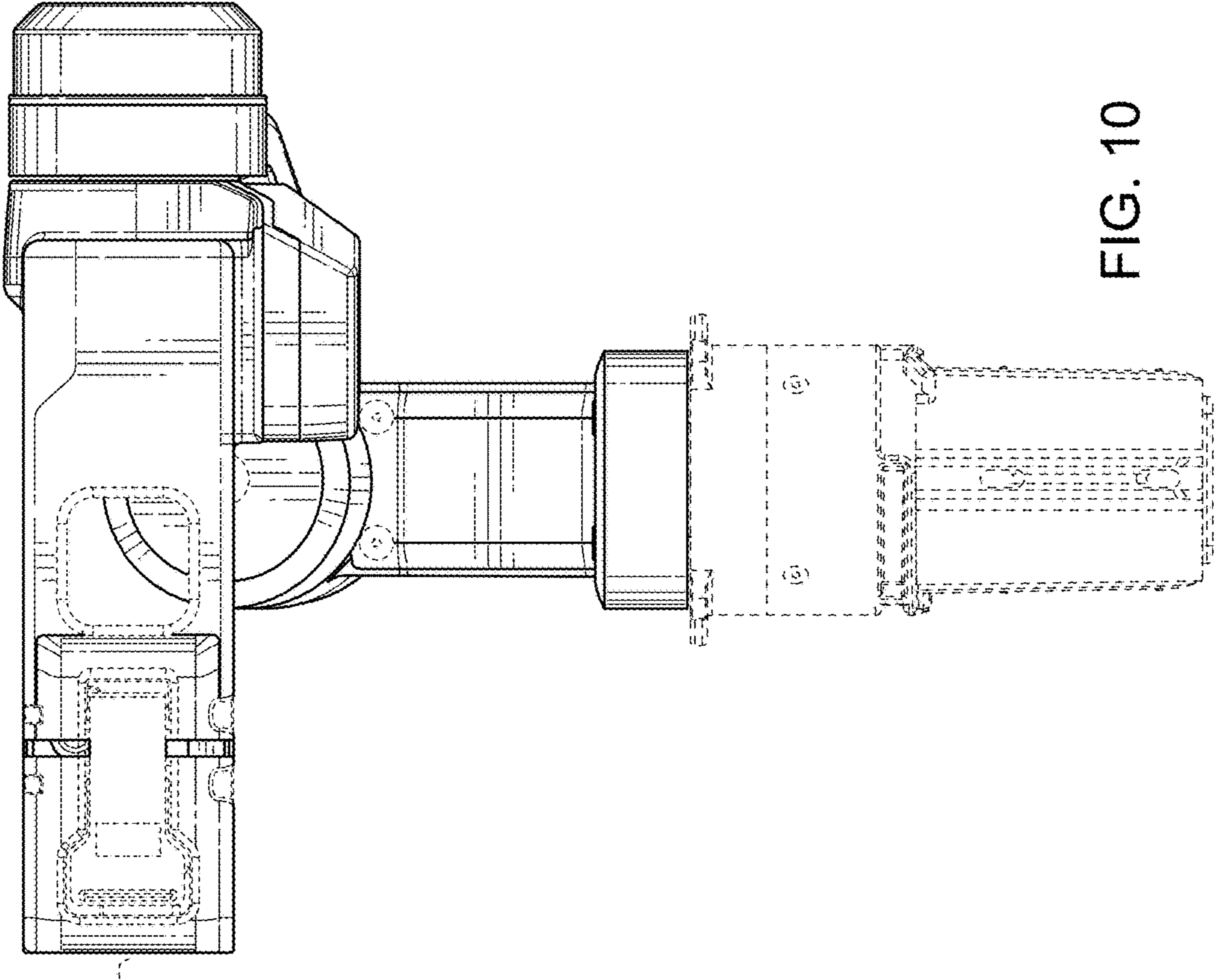


FIG. 10