



US00D819116S

(12) **United States Design Patent** (10) **Patent No.:** **US D819,116 S**
Paterson (45) **Date of Patent:** **** May 29, 2018**

(54) **MOUNT FOR CAMERA, SMART PHONE OR THE LIKE**

(71) Applicant: **GoPro, Inc.**, San Mateo, CA (US)

(72) Inventor: **Michael Paterson**, San Francisco, CA (US)

(73) Assignee: **GoPro, Inc.**, San Mateo, CA (US)

(**) Term: **15 Years**

(21) Appl. No.: **29/594,120**

(22) Filed: **Feb. 15, 2017**

(51) **LOC (11) Cl.** **16-05**

(52) **U.S. Cl.**
USPC **D16/242**

(58) **Field of Classification Search**
USPC D16/219, 237-250; D14/251, 253, 433, D14/434; D8/354-356, 363, 367-371, D8/373, 382-383, 394-396
CPC G03B 17/56; G03B 17/561-17/568; G02B 7/00-7/002; A45F 5/00; A45F 5/10; A45F 2200/0508-2200/0533
See application file for complete search history.

(56) **References Cited**

U.S. PATENT DOCUMENTS

D697,570 S *	1/2014	Samuels	D21/771
D752,595 S *	3/2016	Heckler	D14/447
9,423,673 B2	8/2016	Clearman		
D768,755 S *	10/2016	Thomas	D16/242
D777,241 S *	1/2017	Costa	D16/245
D784,439 S *	4/2017	Minn	D16/242
D785,072 S *	4/2017	Taylor	D16/242
D796,571 S *	9/2017	Minn	D16/242
D798,367 S *	9/2017	Nakajima	D16/242
D798,368 S *	9/2017	Nakajima	D16/242
D798,370 S *	9/2017	Nakajima	D16/245
D800,823 S *	10/2017	Druker	D16/242
2015/0177597 A1 *	6/2015	Harrison	G03B 17/561 396/419

OTHER PUBLICATIONS

Ballhead Mount GoPro compatible mount. [online] Published on Jan. 25, 2017. Retrieved Nov. 16, 2017 from URL: https://sp-connect.com/products/ballhead-mount?utm_source=www.google.com&utm_medium=Channel&utm_campaign=GoogleUS&ref=SFDR_81108766&variant=38185205766&glid=EAlalQobChMlg7r5q9nD1wIVTUwNCh2gSwDYEAQYBS-ABEgLS8fD_BwE.* shop.gopro.com, Grab Bag, website at <http://shop.gopro.com/mounts/grab-bag/AGBAG-002.html>, available as early as 2016. shop.gopro.com, Ball Joint Buckle, <https://shop.gopro.com/mounts/ball-joint-buckle/ABJQR-001.html>, available as early as 2016. rammount.com, Camera Mounts, website at <http://www.rammount.com/device/camera-mounts>, available as of Feb. 15, 2017.

* cited by examiner

Primary Examiner — Vy N Koenig

(74) *Attorney, Agent, or Firm* — Young Basile Hanlon & MacFarlane, P.C.

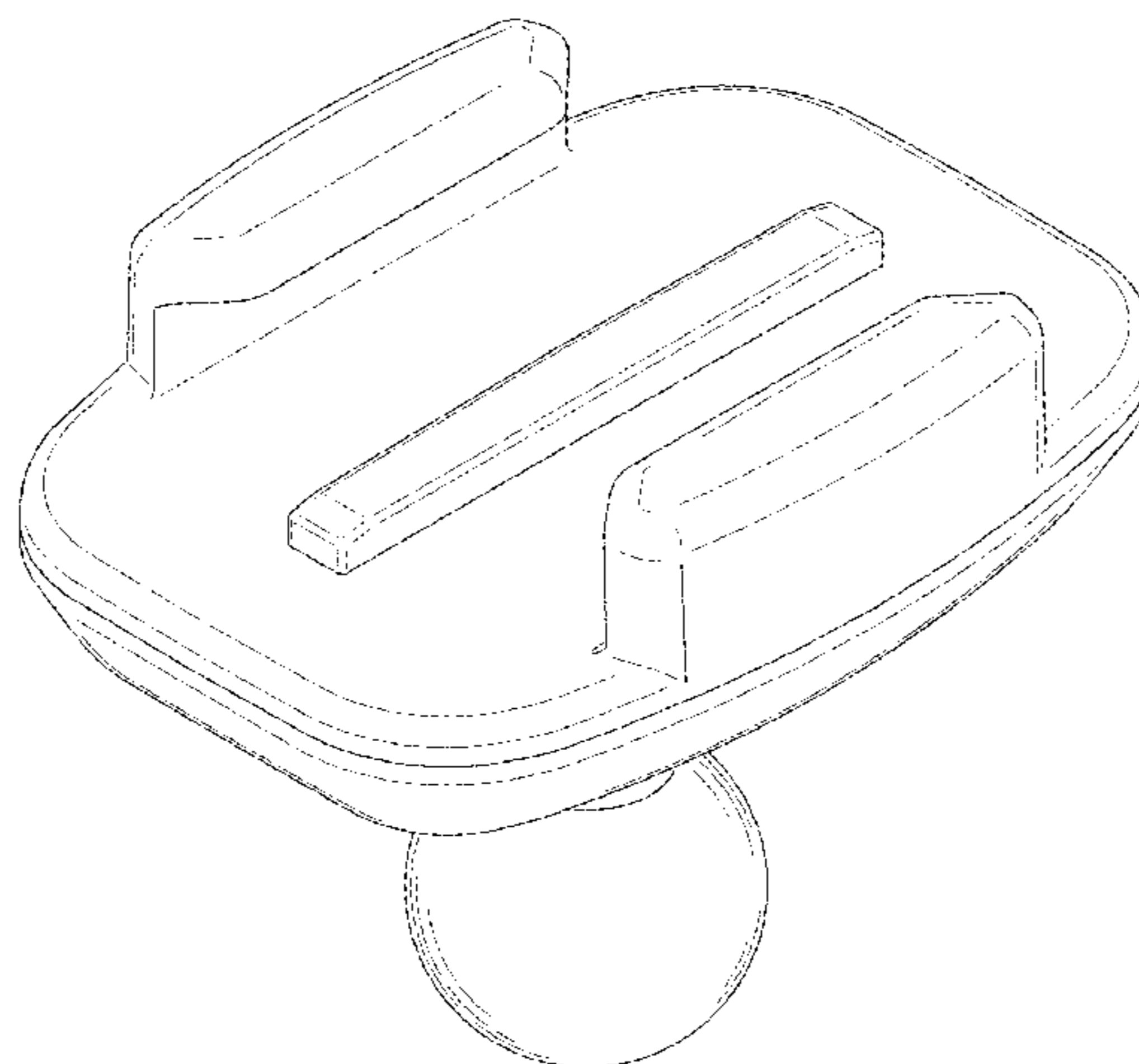
(57) **CLAIM**

The ornamental design for a mount for camera, smart phone or the like, as shown and described.

DESCRIPTION

FIG. 1 is a perspective view of a mount for camera, smart phone or the like showing my new design; FIG. 2 is a front view thereof, the rear view being identical; FIG. 3 is a left side view thereof, the opposite side view being identical; FIG. 4 is a top view thereof; and, FIG. 5 is a bottom view thereof. The broken lines illustrate portions of the mount for camera, smart phone or the like which form no part of the claimed design.

1 Claim, 5 Drawing Sheets



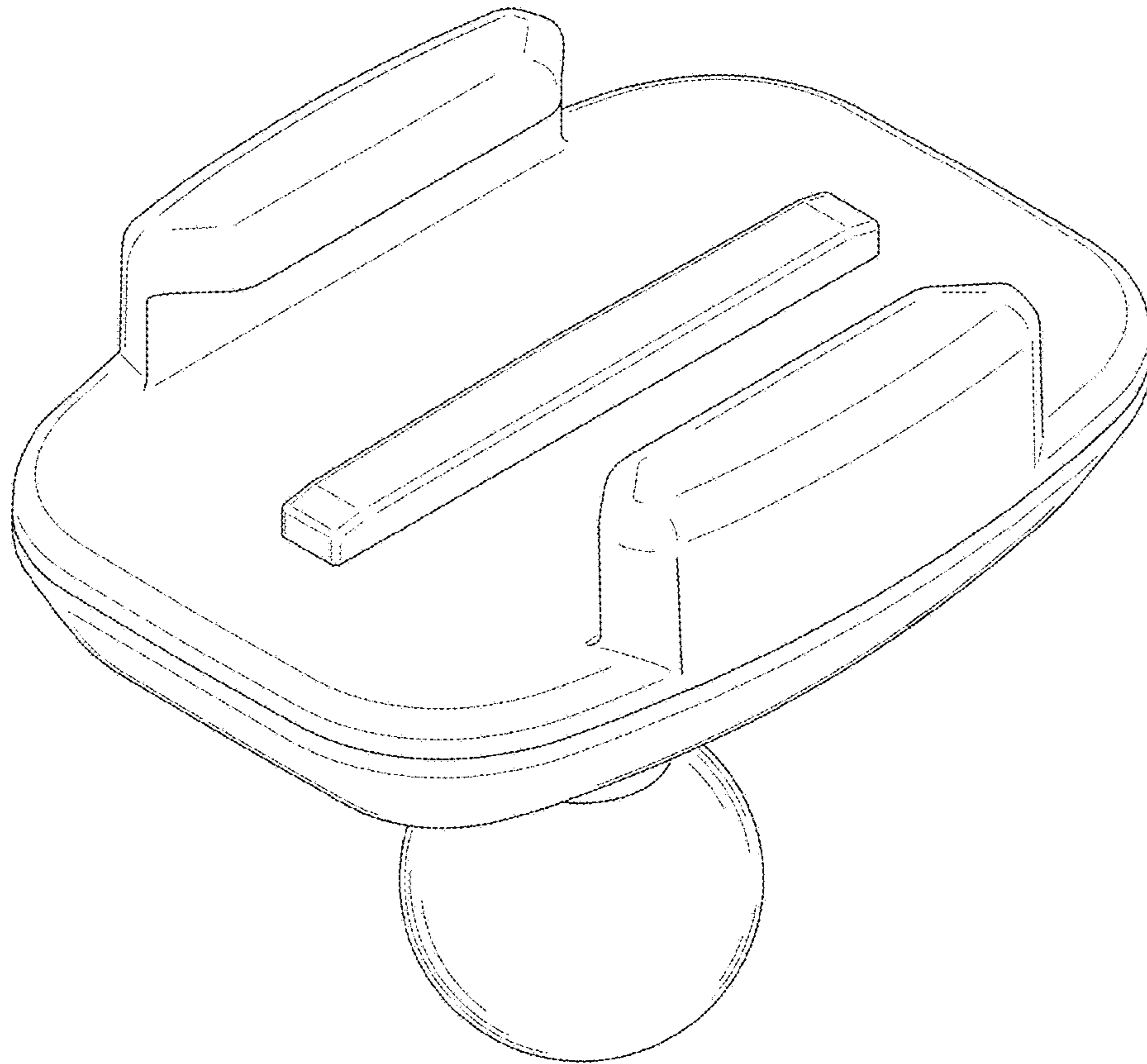


FIG. 1

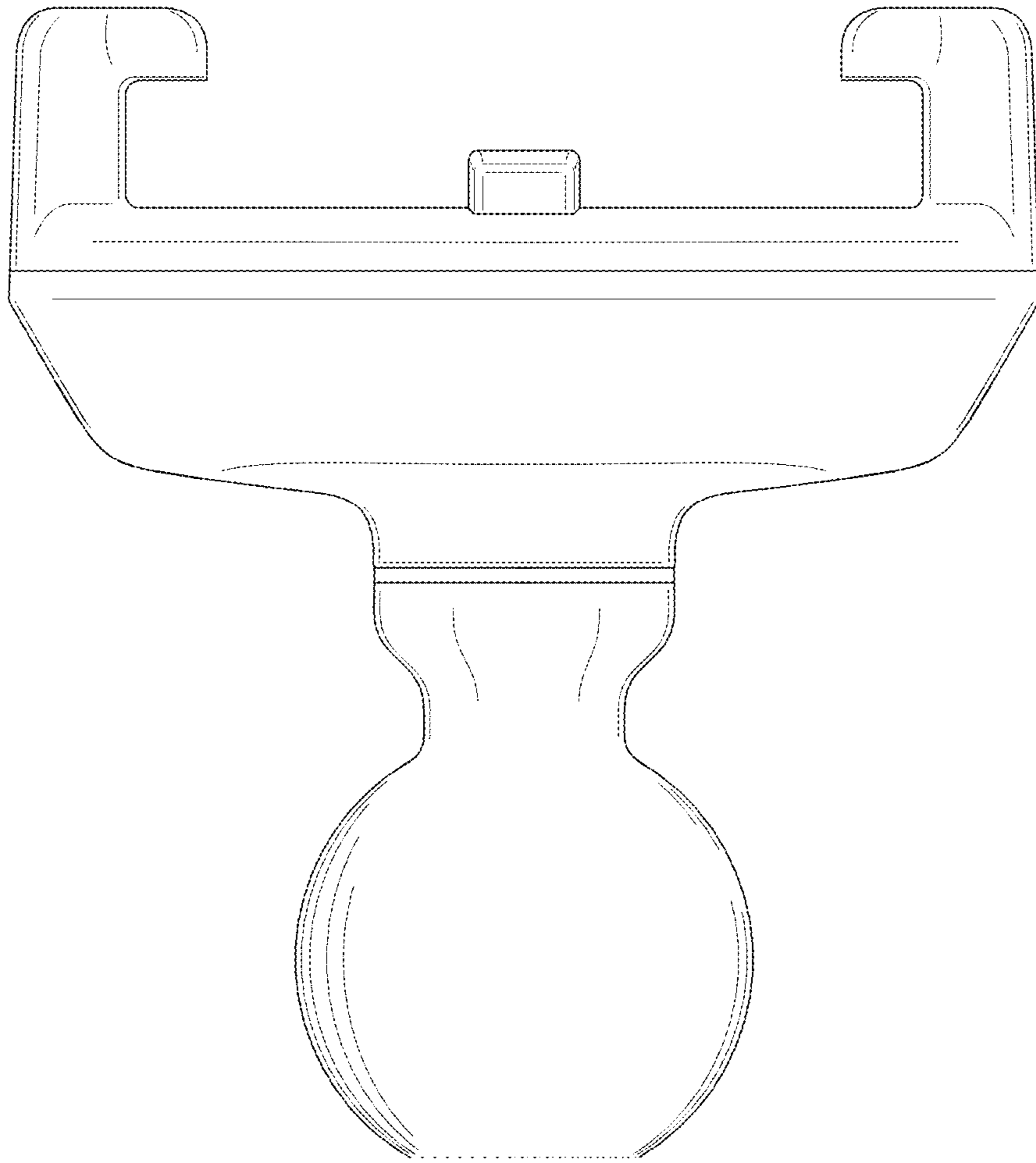


FIG. 2

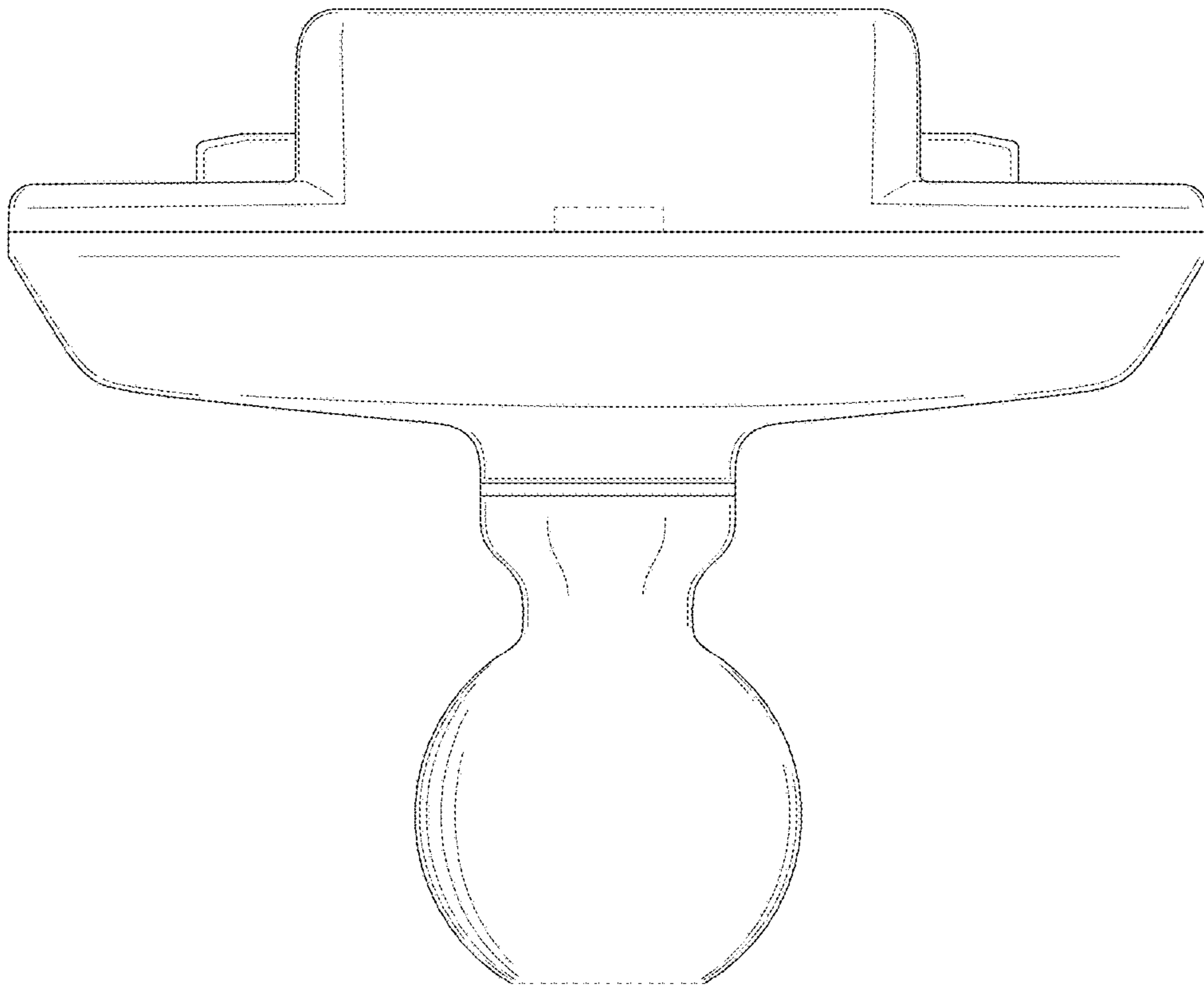


FIG. 3

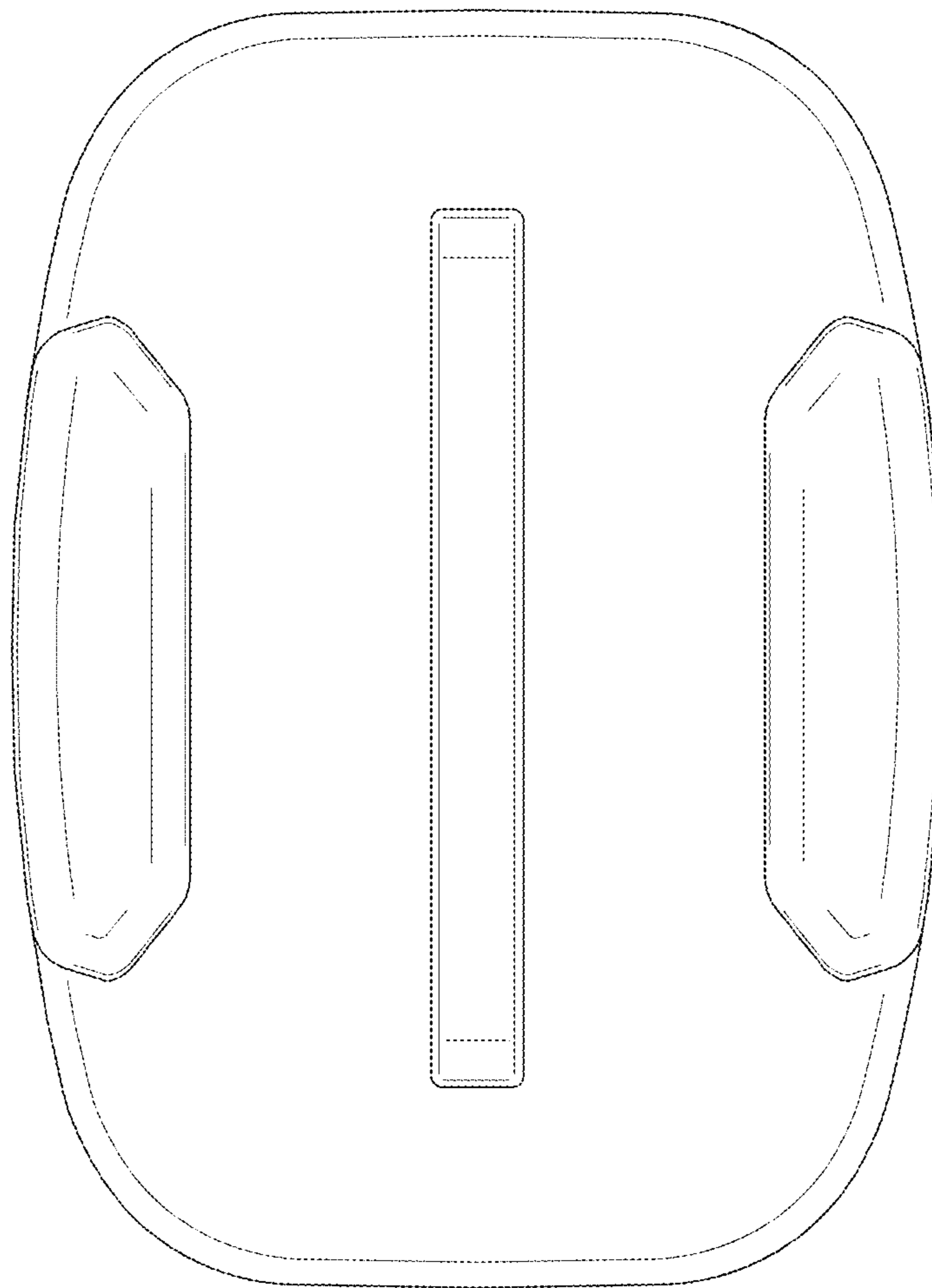


FIG. 4

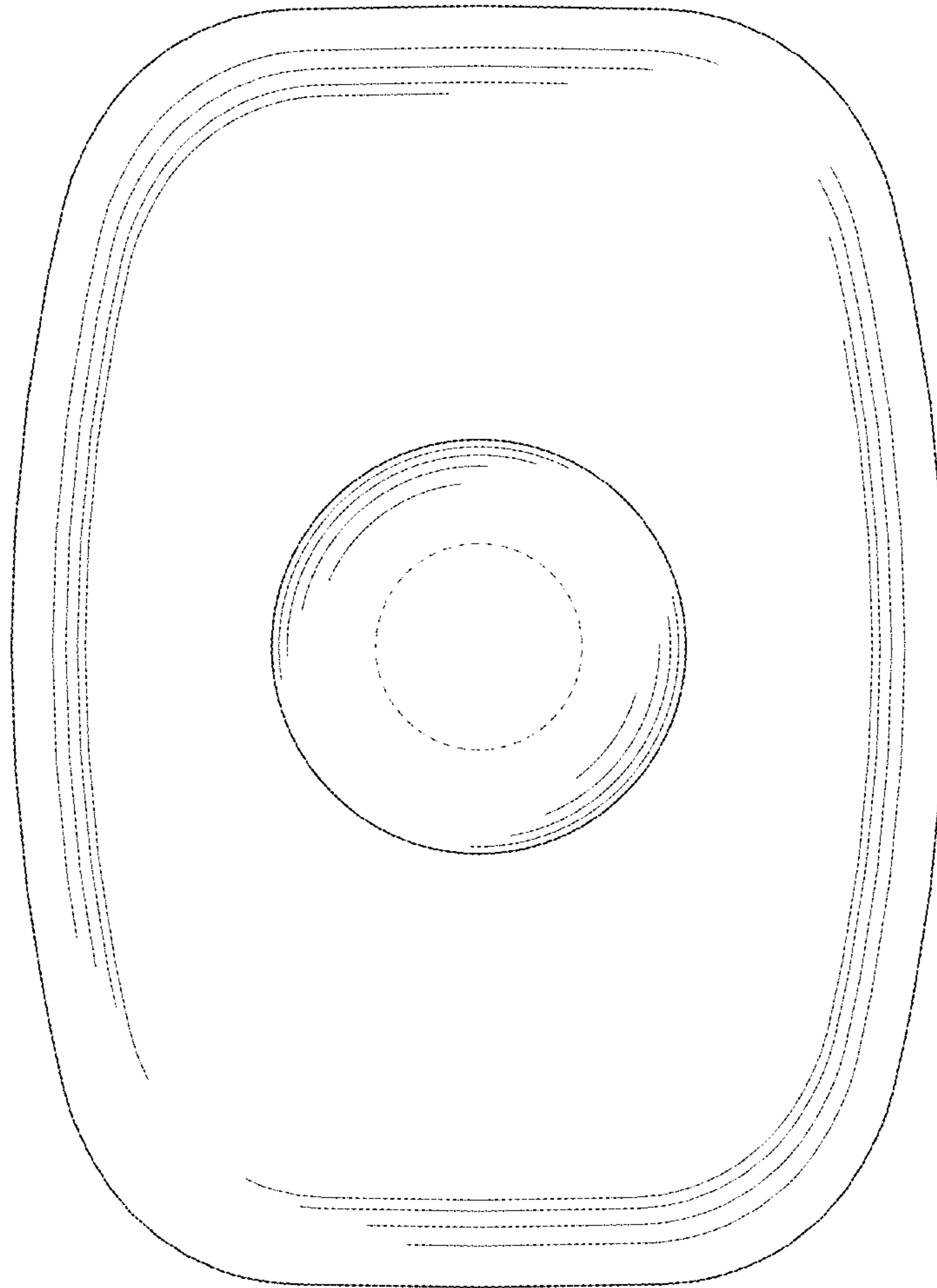


FIG. 5