



US00D819115S

(12) **United States Design Patent**
Nohara

(10) **Patent No.:** **US D819,115 S**

(45) **Date of Patent:** **** May 29, 2018**

- (54) **CAMERA STROBE**
- (71) Applicant: **OLYMPUS CORPORATION**,
Hachioji-shi, Tokyo (JP)
- (72) Inventor: **Takeshi Nohara**, Hachioji (JP)
- (73) Assignee: **OLYMPUS CORPORATION**, Tokyo
(JP)
- (**) Term: **15 Years**

4,816,854 A *	3/1989	Tsuji	G03B 15/05 315/241 P
D342,753 S *	12/1993	Haga	D16/239
5,565,941 A *	10/1996	Kaneko	G03B 15/05 396/155
5,794,082 A *	8/1998	Matsui	G03B 15/05 396/171
D453,351 S *	2/2002	Kitera	D16/239
D502,488 S *	3/2005	Miyashita	D16/239
D689,538 S *	9/2013	Sato	D16/239
D701,553 S *	3/2014	Sanhui	D16/239
D703,723 S *	4/2014	Soejima	D16/239
D741,395 S *	10/2015	Oh	D16/239

(21) Appl. No.: **29/583,082**

(22) Filed: **Nov. 2, 2016**

(30) **Foreign Application Priority Data**

Aug. 9, 2016 (JP) 2016-017085

(51) **LOC (11) Cl.** **16-05**

(52) **U.S. Cl.**
USPC **D16/239**

(58) **Field of Classification Search**

USPC D16/200, 202-205, 218, 219, 237-240,
D16/250; 348/373-376; 362/4, 16-18;
396/4, 61, 155, 544, 535, 539-541
CPC G03B 17/02; G03B 19/04; G03B 17/56;
G03B 17/04; G03B 15/03; G03B 17/14;
H04N 5/2251; H04N 5/2252; H04N
5/2253; H04N 5/2254; G02B 7/02; G02B
7/04; G02B 7/14

See application file for complete search history.

(56) **References Cited**

U.S. PATENT DOCUMENTS

D241,273 S *	8/1976	Okuno	D16/240
D263,720 S *	4/1982	Takematsu	D16/240
D271,210 S *	11/1983	Shull	D16/239

OTHER PUBLICATIONS

Related U.S. Appl. No. 29/583,088; First Named Inventor: Takeshi Nohara; Title: "Camera Strobe", filed Nov. 2, 2016.

* cited by examiner

Primary Examiner — Philip S Hyder

Assistant Examiner — Ramzi Almatrahi

(74) *Attorney, Agent, or Firm* — Holtz, Holtz & Volek PC

(57) **CLAIM**

The ornamental design for a camera strobe, as shown.

DESCRIPTION

FIG. 1 is a front, top and right side perspective view of a camera strobe showing my new design;
 FIG. 2 is a front elevational view thereof;
 FIG. 3 is a rear elevational view thereof;
 FIG. 4 is a top plan view thereof;
 FIG. 5 is a bottom plan view thereof;
 FIG. 6 is a right side elevational view thereof; and,
 FIG. 7 is a left side elevational view thereof.

1 Claim, 4 Drawing Sheets

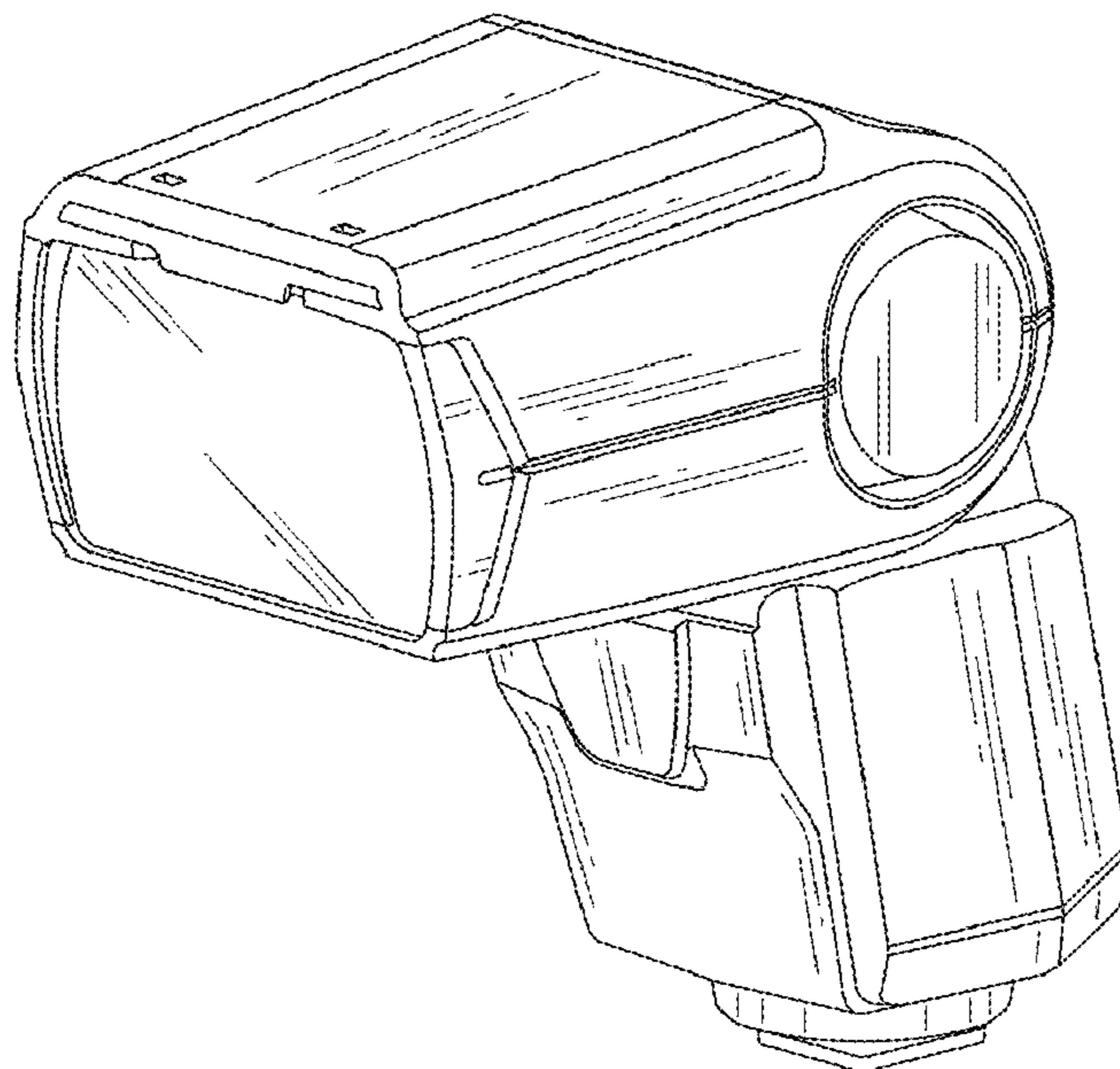


FIG.1

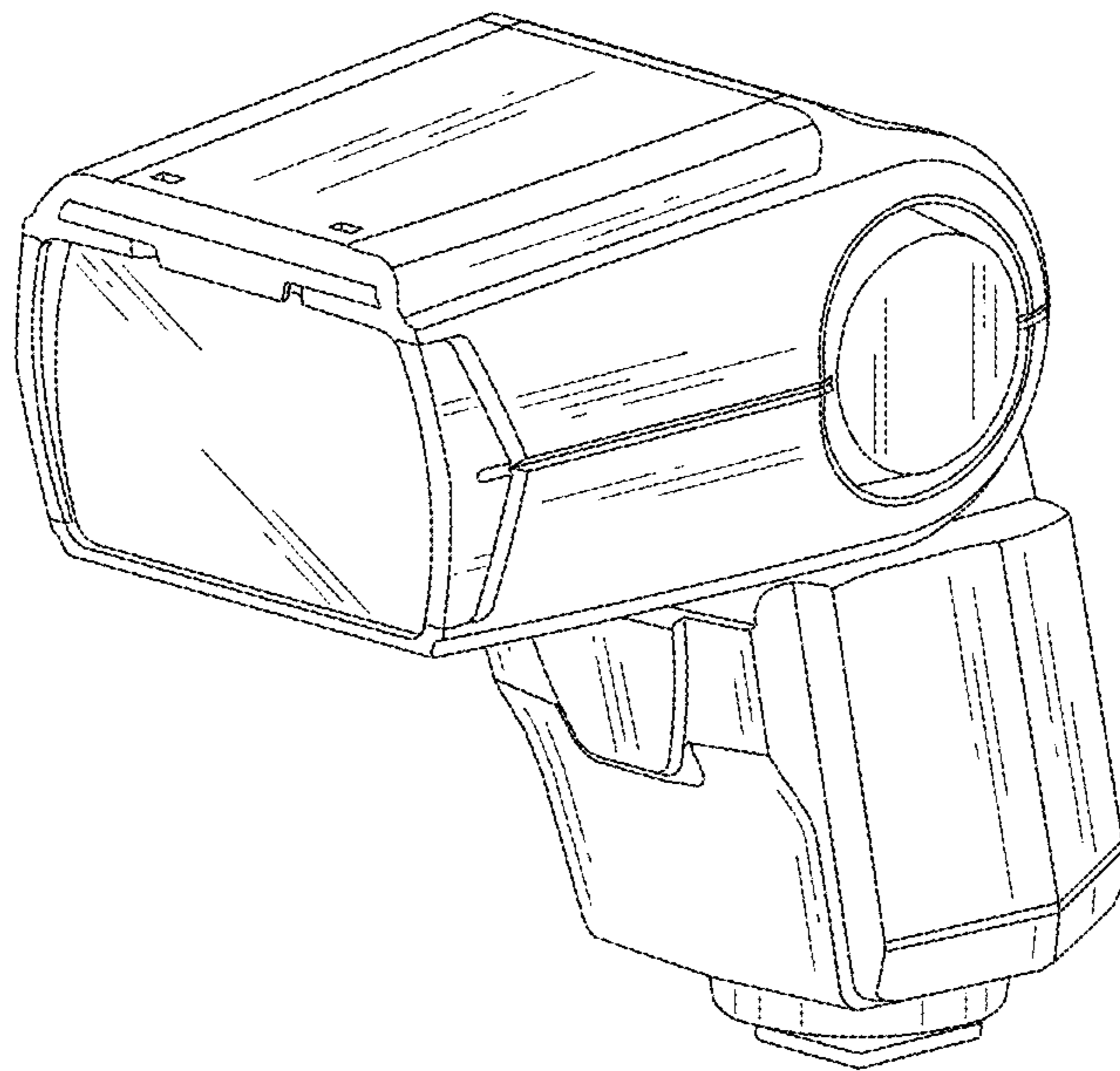


FIG.2

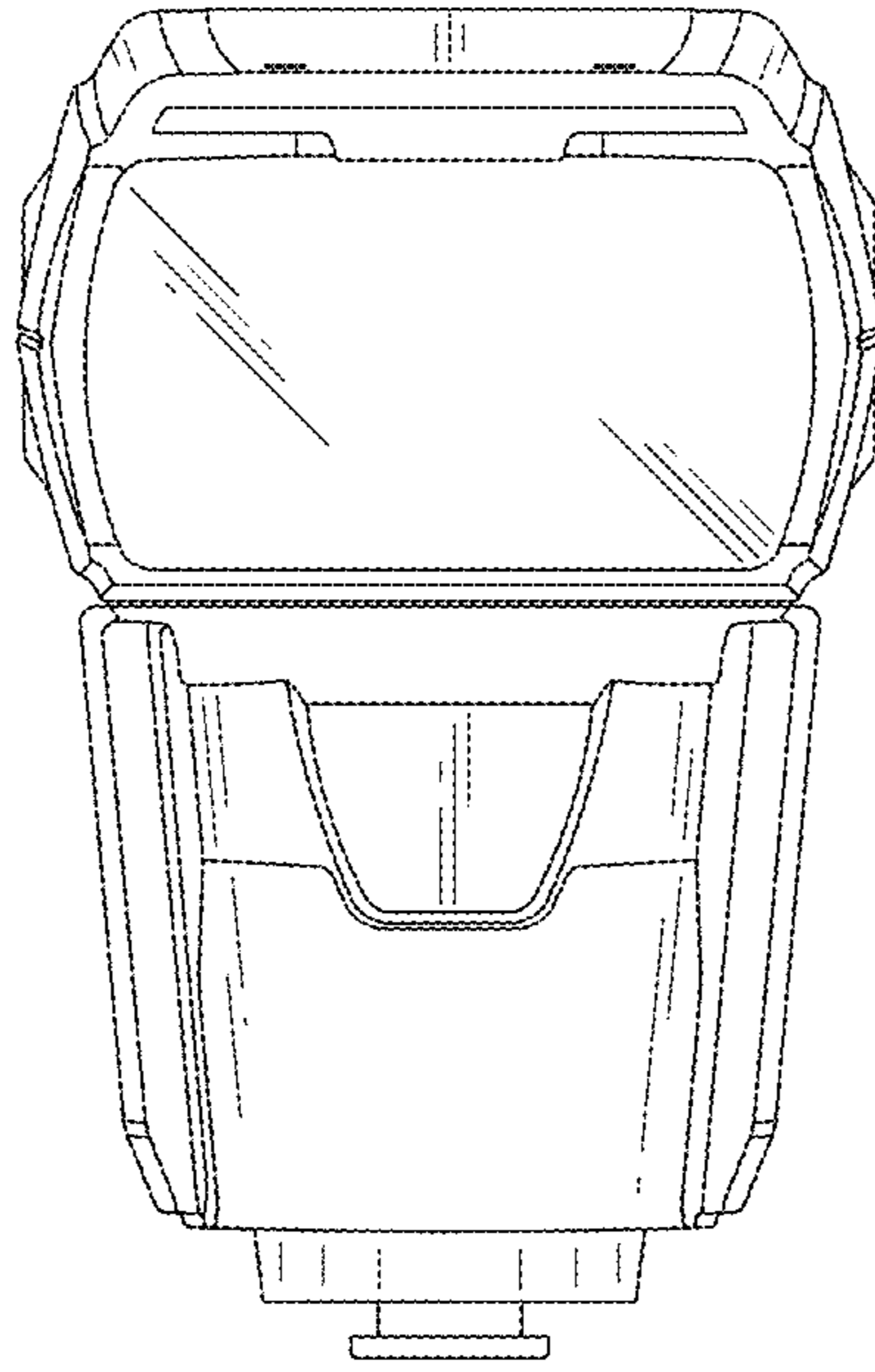


FIG.3

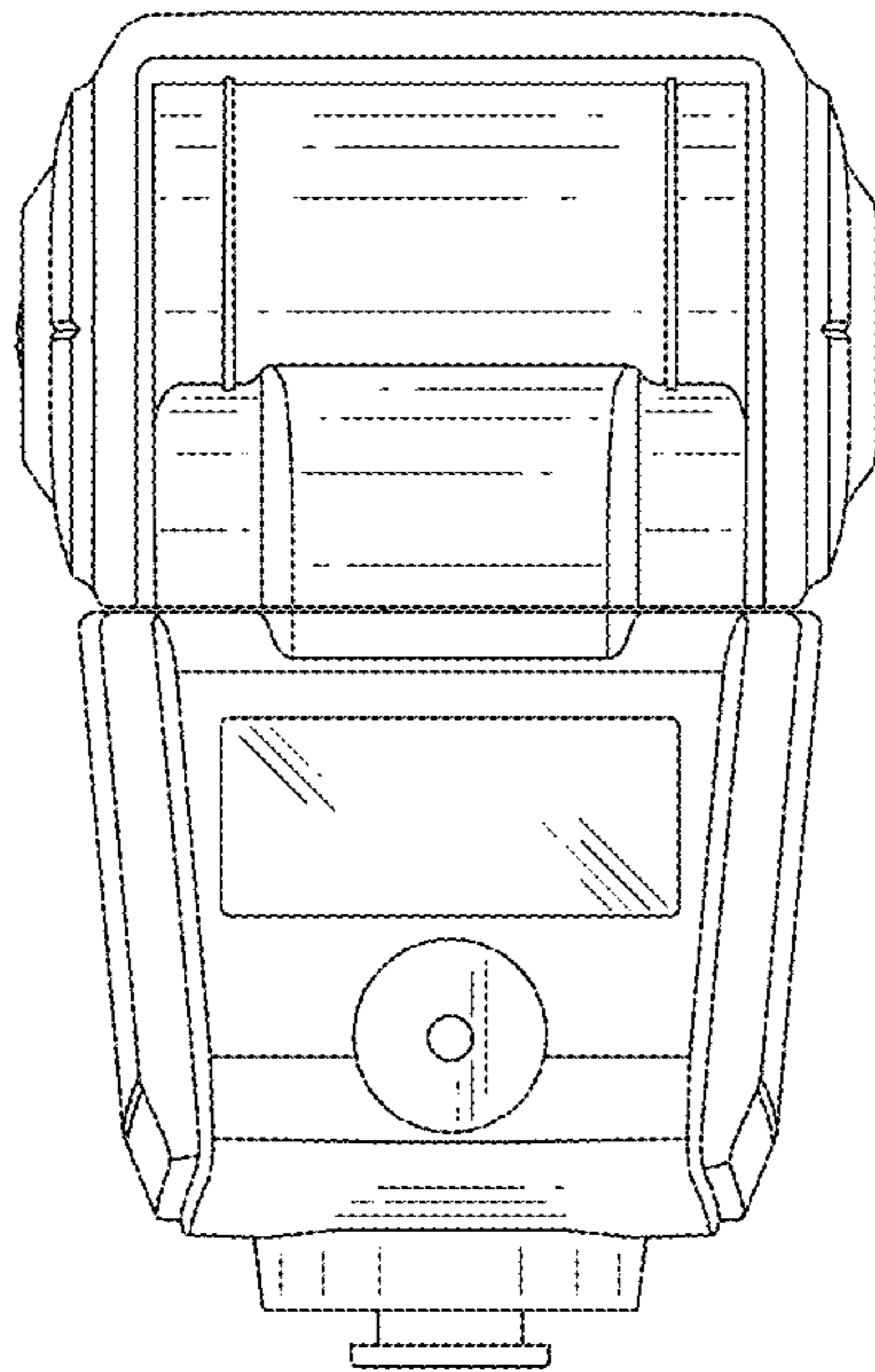


FIG.4

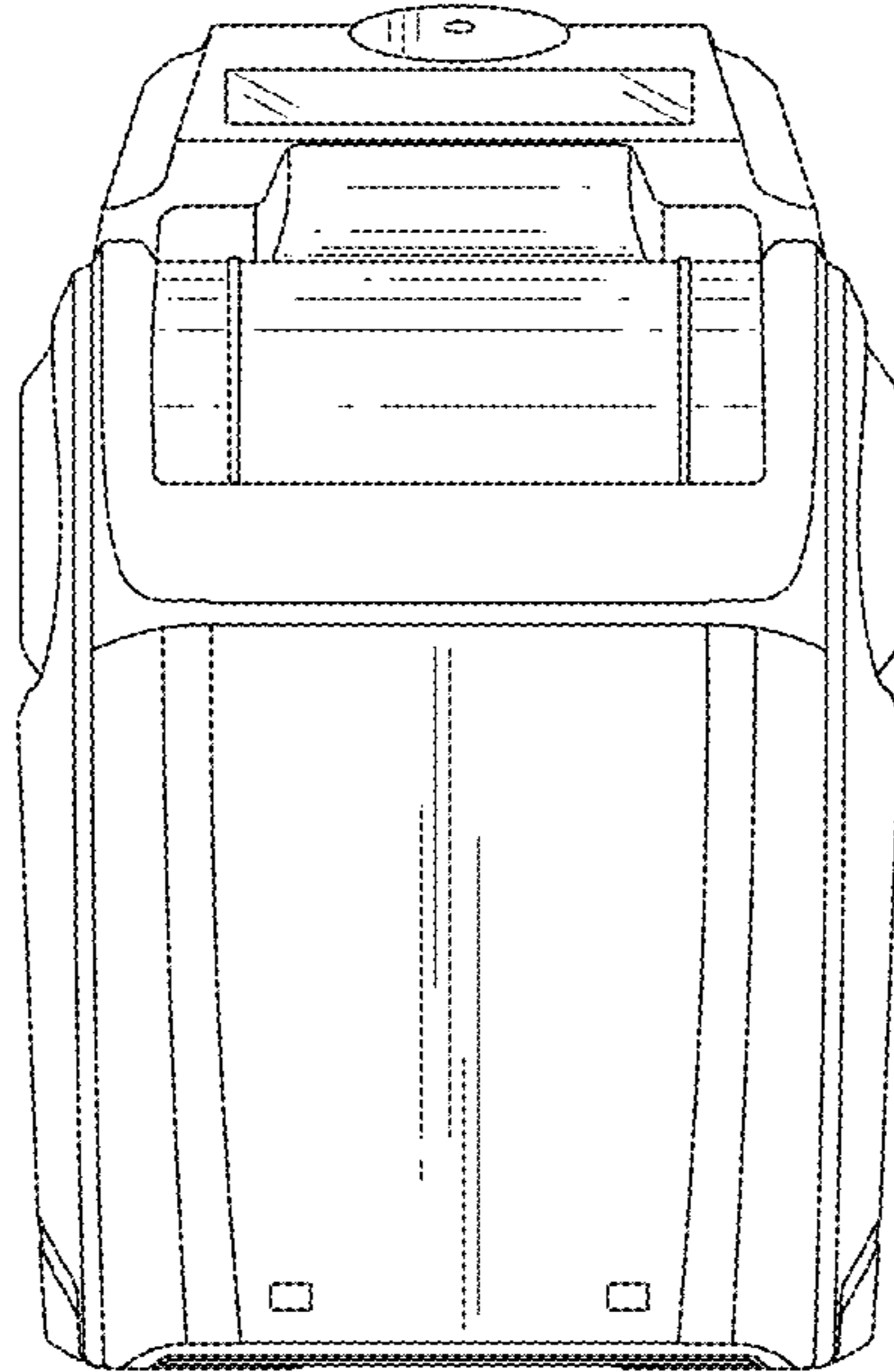


FIG.5

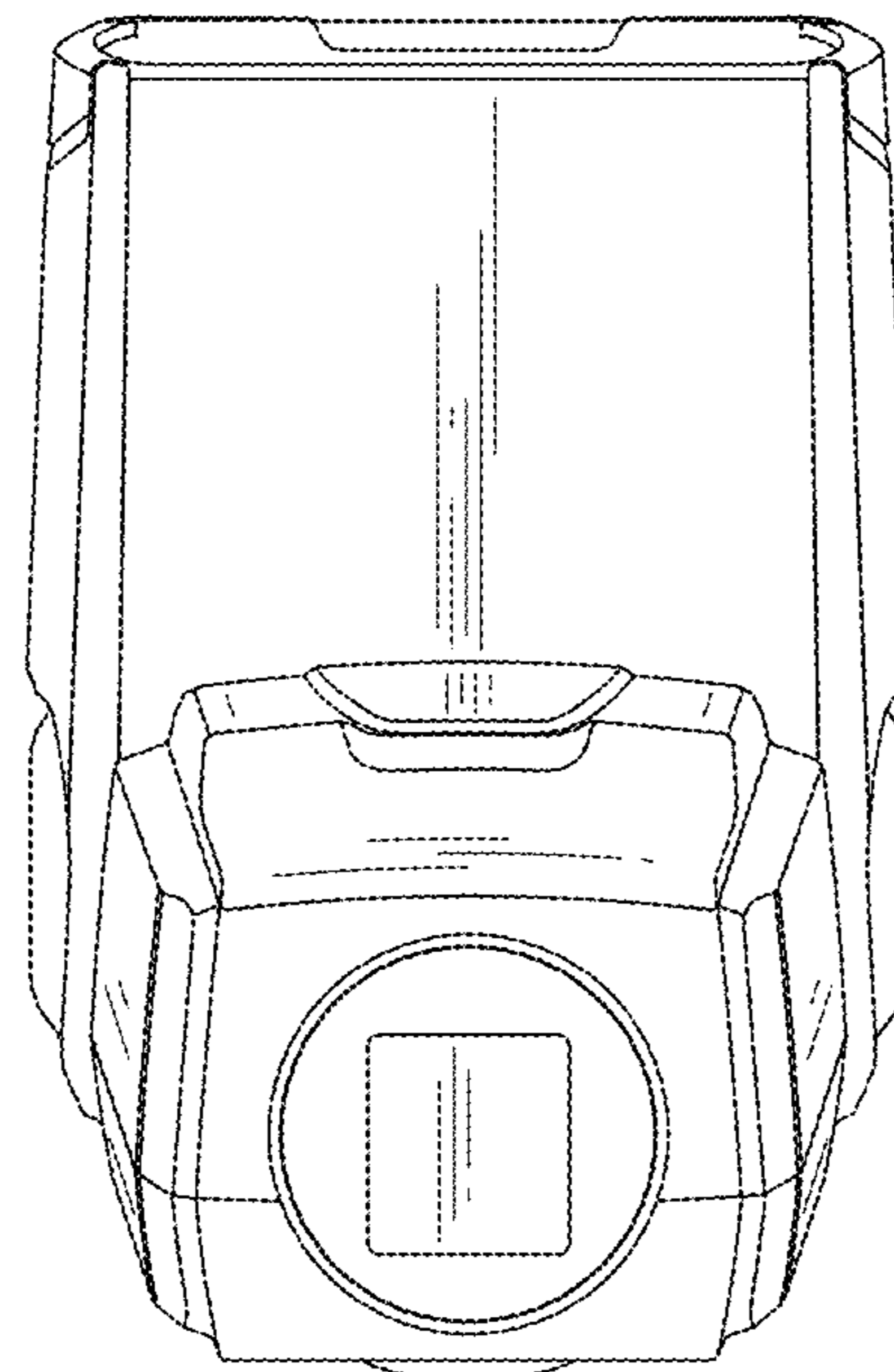


FIG.6

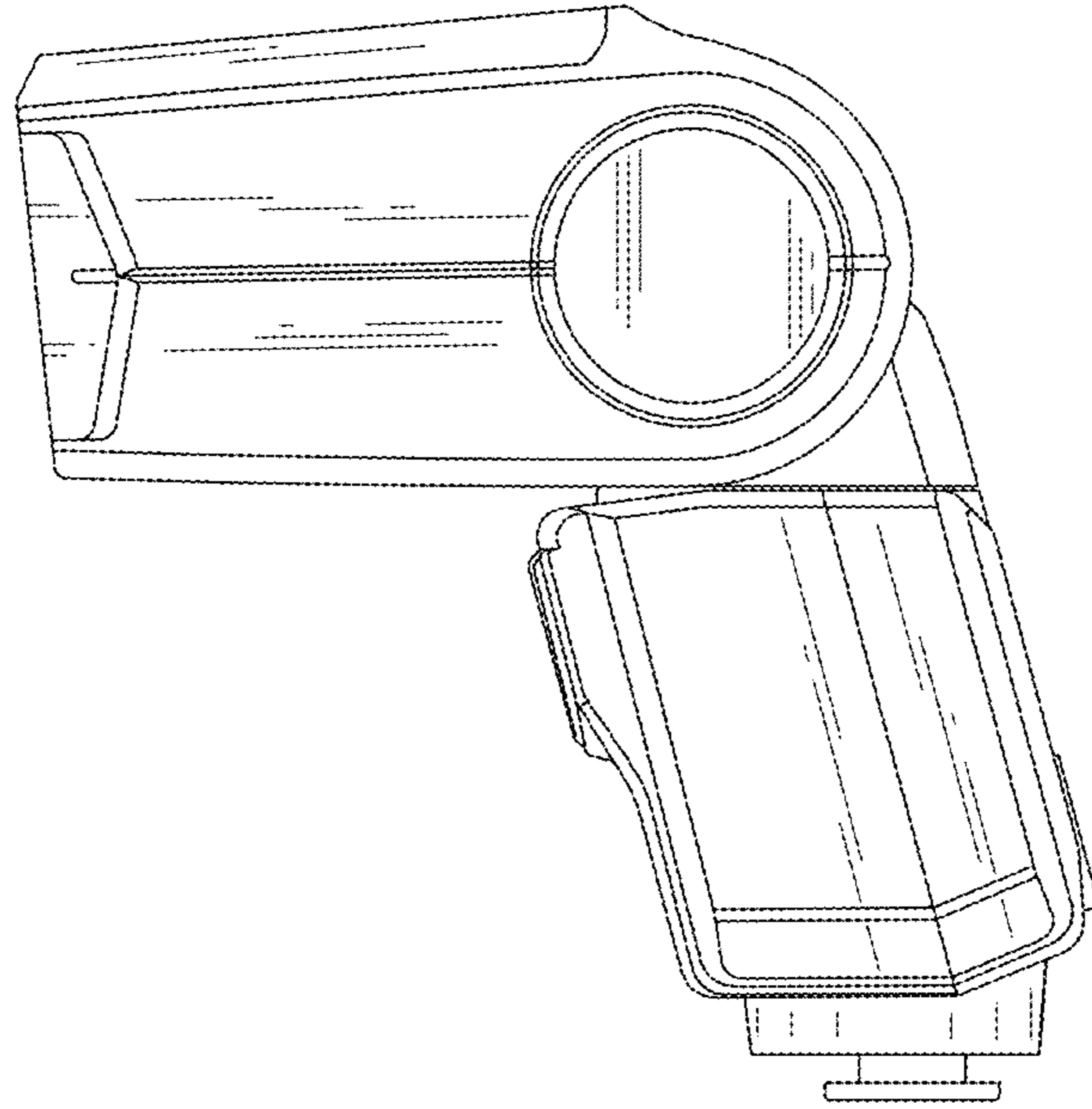


FIG.7

