



US00D819113S

(12) **United States Design Patent** (10) **Patent No.:** **US D819,113 S**  
**Li et al.** (45) **Date of Patent:** **\*\* May 29, 2018**

(54) **DASHBOARD CAMERA**

G08G 1/0175; H04N 5/2251; H04N 5/2252; H04N 5/2253; H04N 5/2254

See application file for complete search history.

(71) Applicant: **Waylens, Inc.**, Boston, MA (US)

(72) Inventors: **Kechao Li**, Shanghai (CN); **Xinsong Wang**, Shanghai (CN); **Jingyang Yao**, Shanghai (CN); **Xiaoyu Li**, Shanghai (CN); **Tao Lin**, Shanghai (CN); **Mark Philip Salesses**, Fairfax, VA (US); **Michael Frank Schmidt**, Boston, MA (US); **Dawei Shen**, Brookline, MA (US); **Haowei Zhang**, Wayland, MA (US)

(56) **References Cited**

U.S. PATENT DOCUMENTS

D441,000	S	*	4/2001	Vanderwilt	.....	D16/202
D484,160	S	*	12/2003	Kangasmaa	.....	D16/202
D524,835	S	*	7/2006	Barman	.....	D16/200
D593,883	S	*	6/2009	Hol	.....	D10/70
D618,147	S	*	6/2010	Bellingham	.....	D12/187
D673,988	S	*	1/2013	Riegl	.....	D16/202
D721,753	S	*	1/2015	Park	.....	D16/202
D734,801	S	*	7/2015	Yang	.....	D16/202
D747,390	S	*	1/2016	Roth	.....	D16/218
D753,750	S	*	4/2016	Coward	.....	D16/202
D754,235	S	*	4/2016	Fish, Jr.	.....	D16/218
2010/0129070	A1	*	5/2010	Balasundaramohan	G03B 17/00	396/419

(Continued)

*Primary Examiner* — Philip S Hyder

*Assistant Examiner* — Ramzi Almatrahi

(74) *Attorney, Agent, or Firm* — Wood Herron & Evans LLP

(73) Assignee: **Waylens, Inc.**, Boston, MA (US)

(\*\*) Term: **15 Years**

(21) Appl. No.: **29/598,585**

(22) Filed: **Mar. 27, 2017**

**Related U.S. Application Data**

(62) Division of application No. 29/542,369, filed on Oct. 13, 2015, now Pat. No. Des. 782,560.

(51) **LOC (11) Cl.** ..... **16-01**

(52) **U.S. Cl.**  
USPC ..... **D16/218**

(58) **Field of Classification Search**  
USPC ..... D16/200–204, 208, 218, 219;  
D12/187–189, 400; 340/932.2, 933, 937;  
348/143, 148, 151, 360, 373–376;  
396/419, 427–429, 433, 529, 535,  
396/537–541  
CPC ..... G03B 15/03; G03B 17/02; G03B 17/04;  
G03B 17/48; G03B 17/56; G03B 19/04;

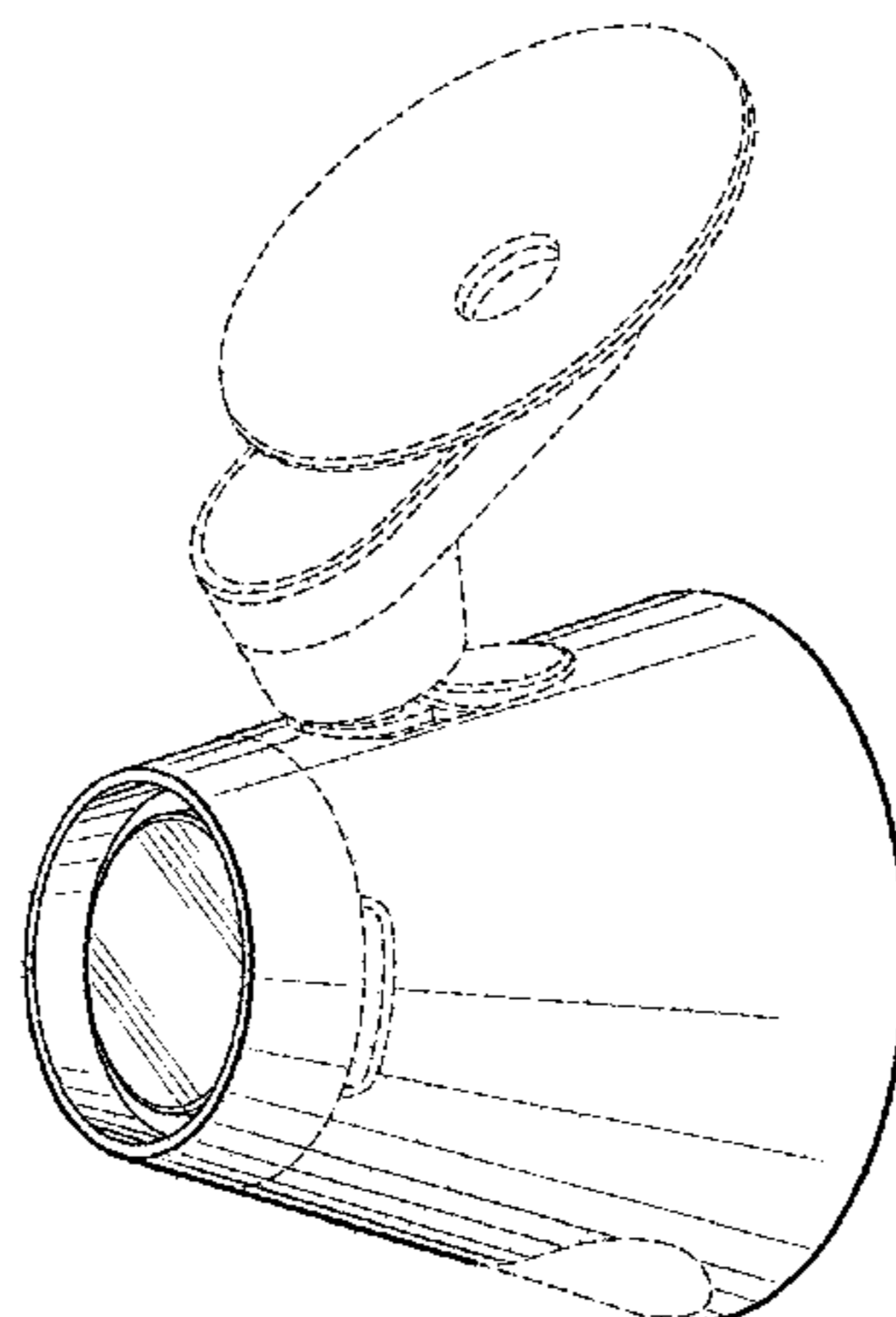
(57) **CLAIM**

The ornamental design for a dashboard camera, as shown and described.

**DESCRIPTION**

FIG. 1 is a front and right side perspective view of a dashboard camera;  
FIG. 2 is a right side elevation view thereof, the left side elevation view being a mirror image of the right side elevation;  
FIG. 3 is a front elevation view thereof;  
FIG. 4 is a bottom plan view thereof;  
FIG. 5 is a top plan view thereof;  
FIG. 6 is a rear elevation view thereof; and,  
FIG. 7 is a rear and left side perspective view thereof.

(Continued)



The broken lines depict portions of the dashboard camera in which the design is embodied that form no part of the claimed design.

**1 Claim, 4 Drawing Sheets**

(56)

**References Cited**

U.S. PATENT DOCUMENTS

2012/0327234 A1\* 12/2012 Fish, Jr. .... B60R 11/04  
348/148

\* cited by examiner

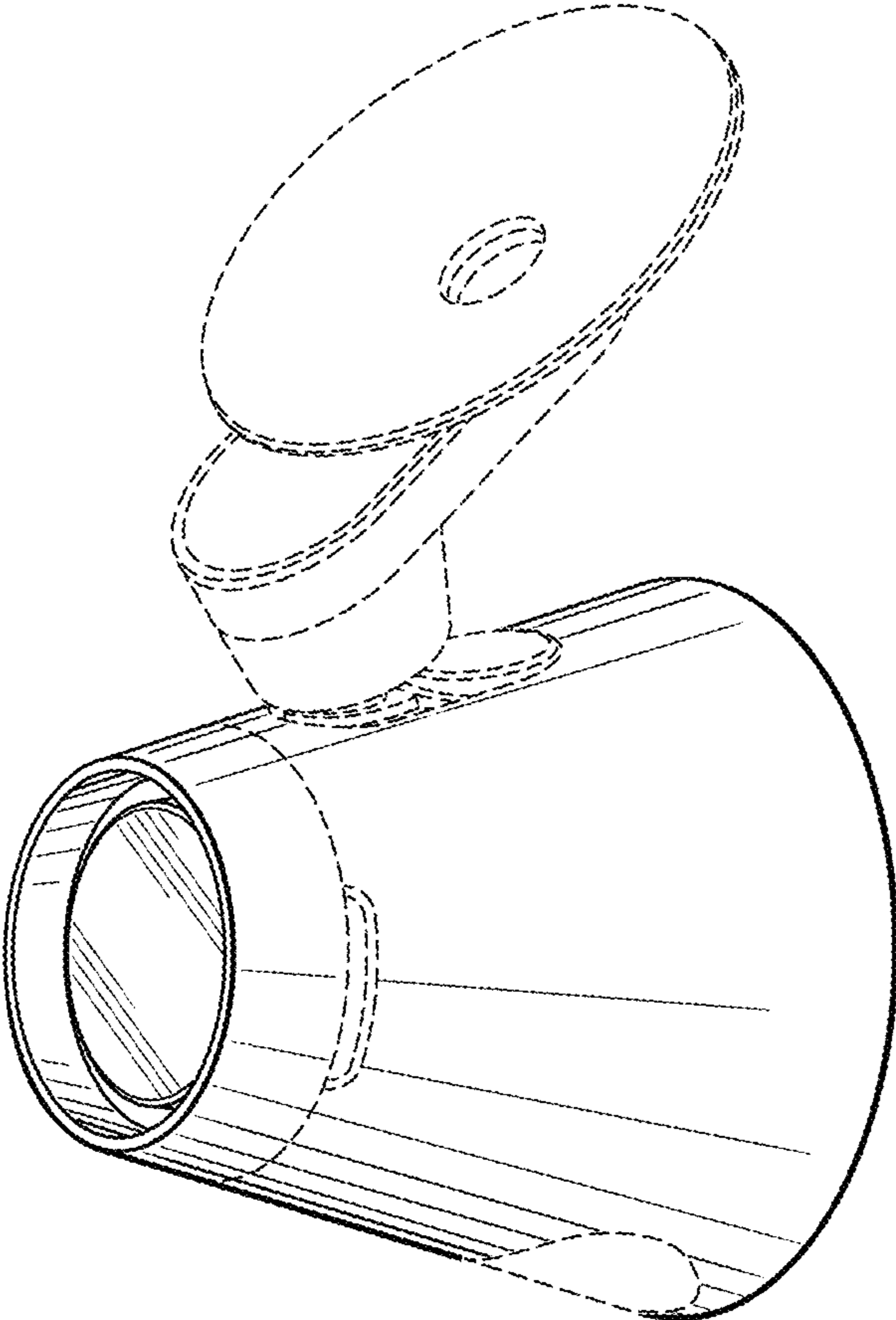


FIG. 1

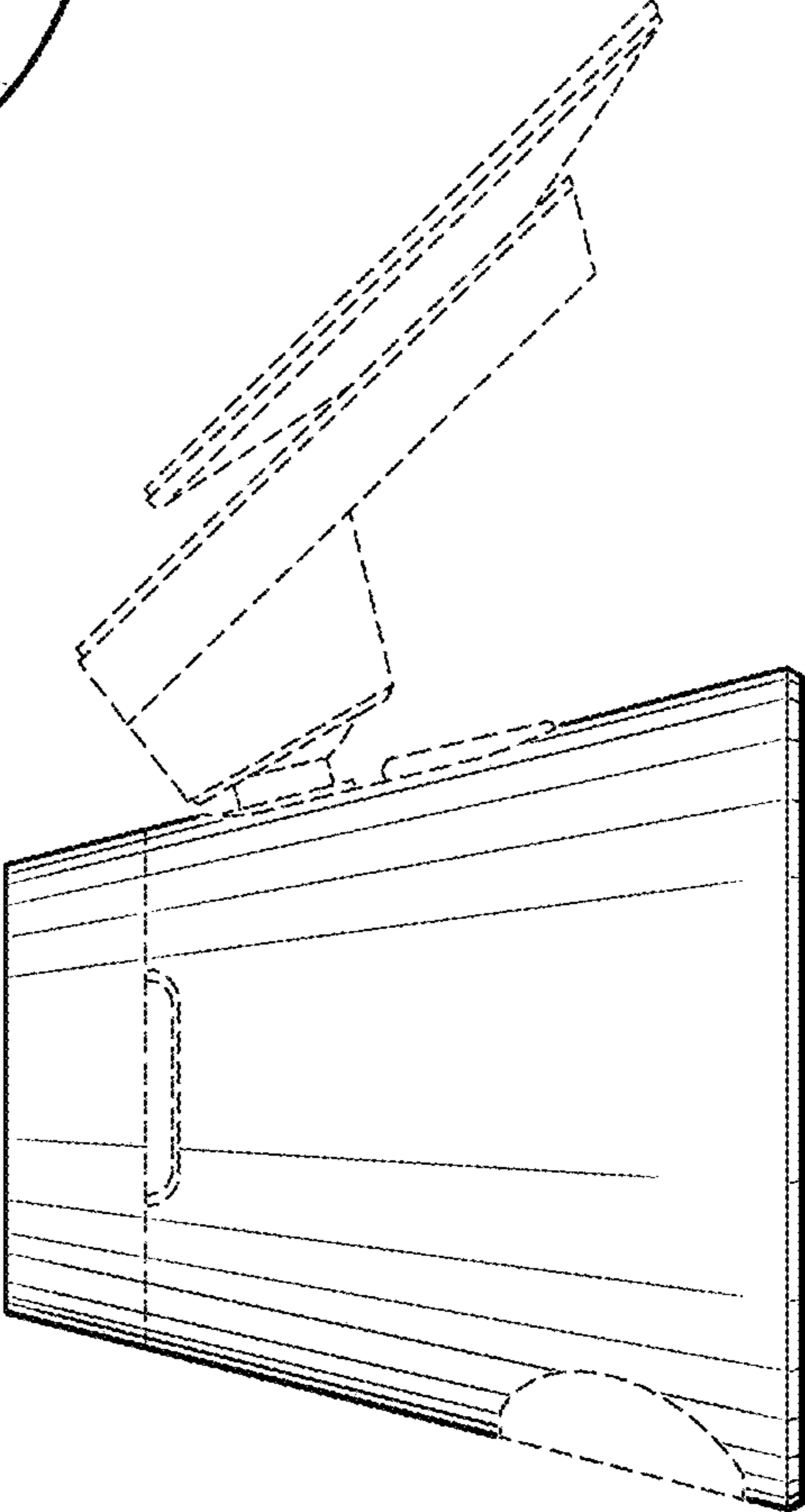


FIG. 2

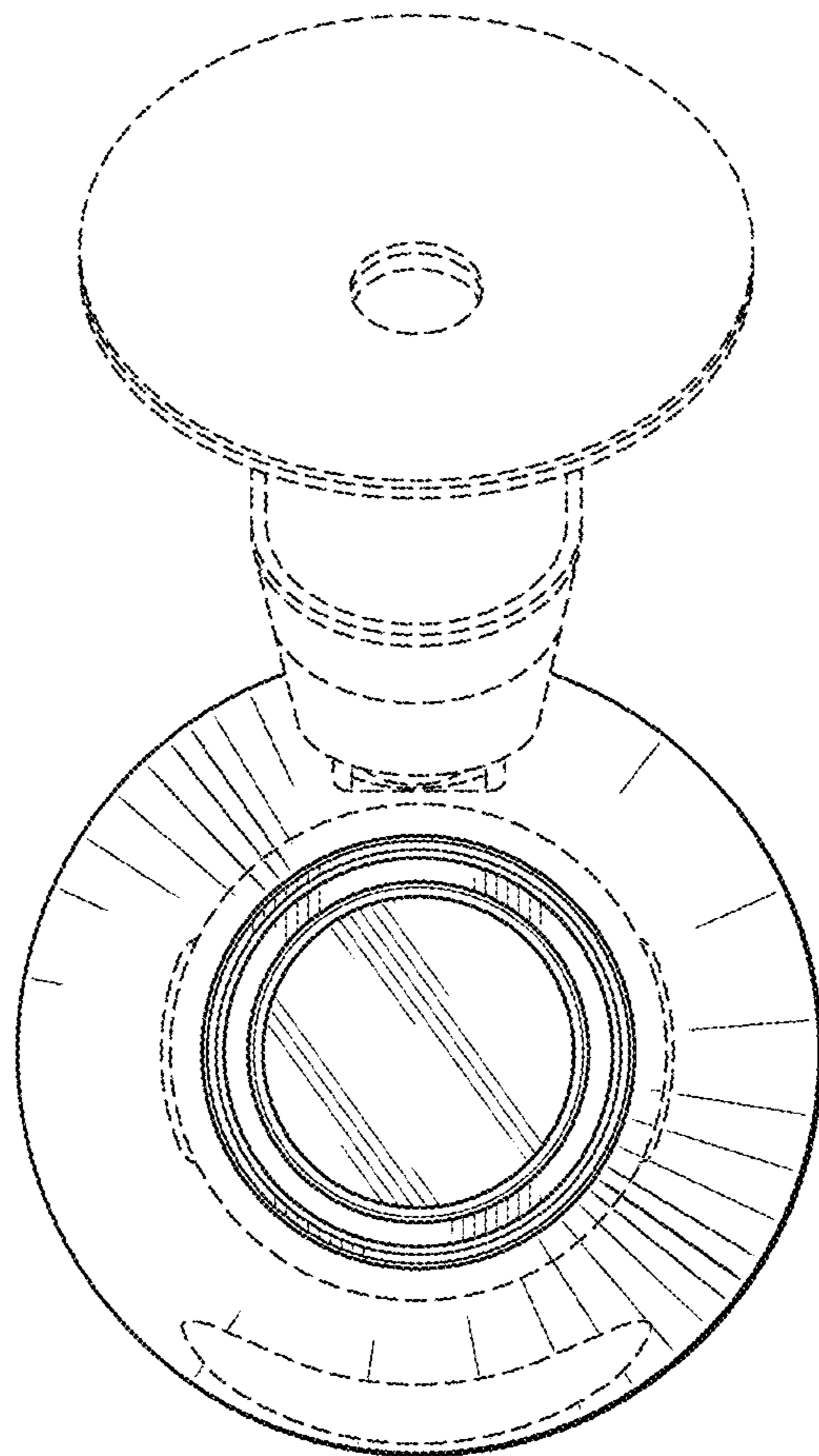


FIG. 3

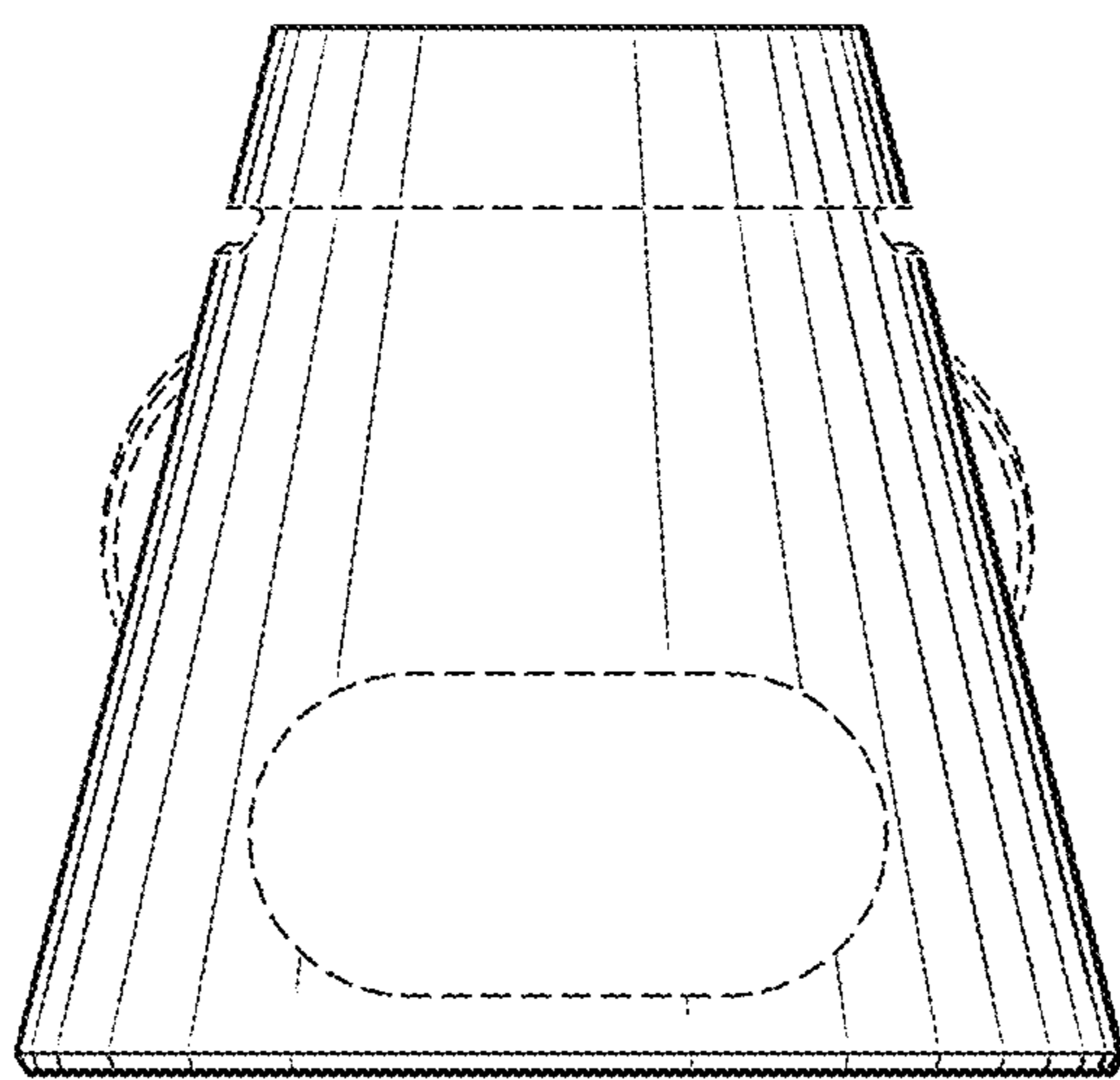


FIG. 4

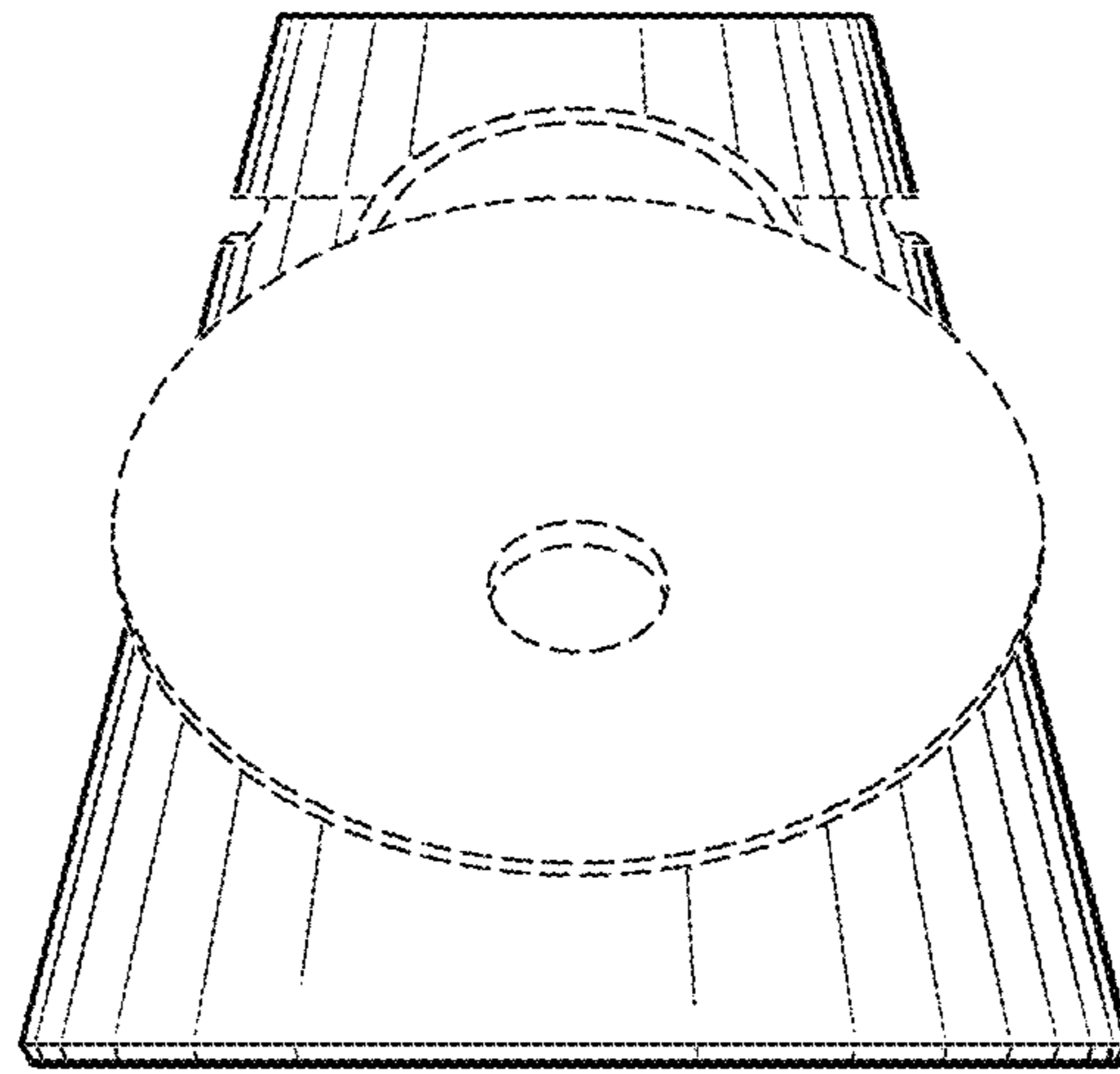


FIG. 5

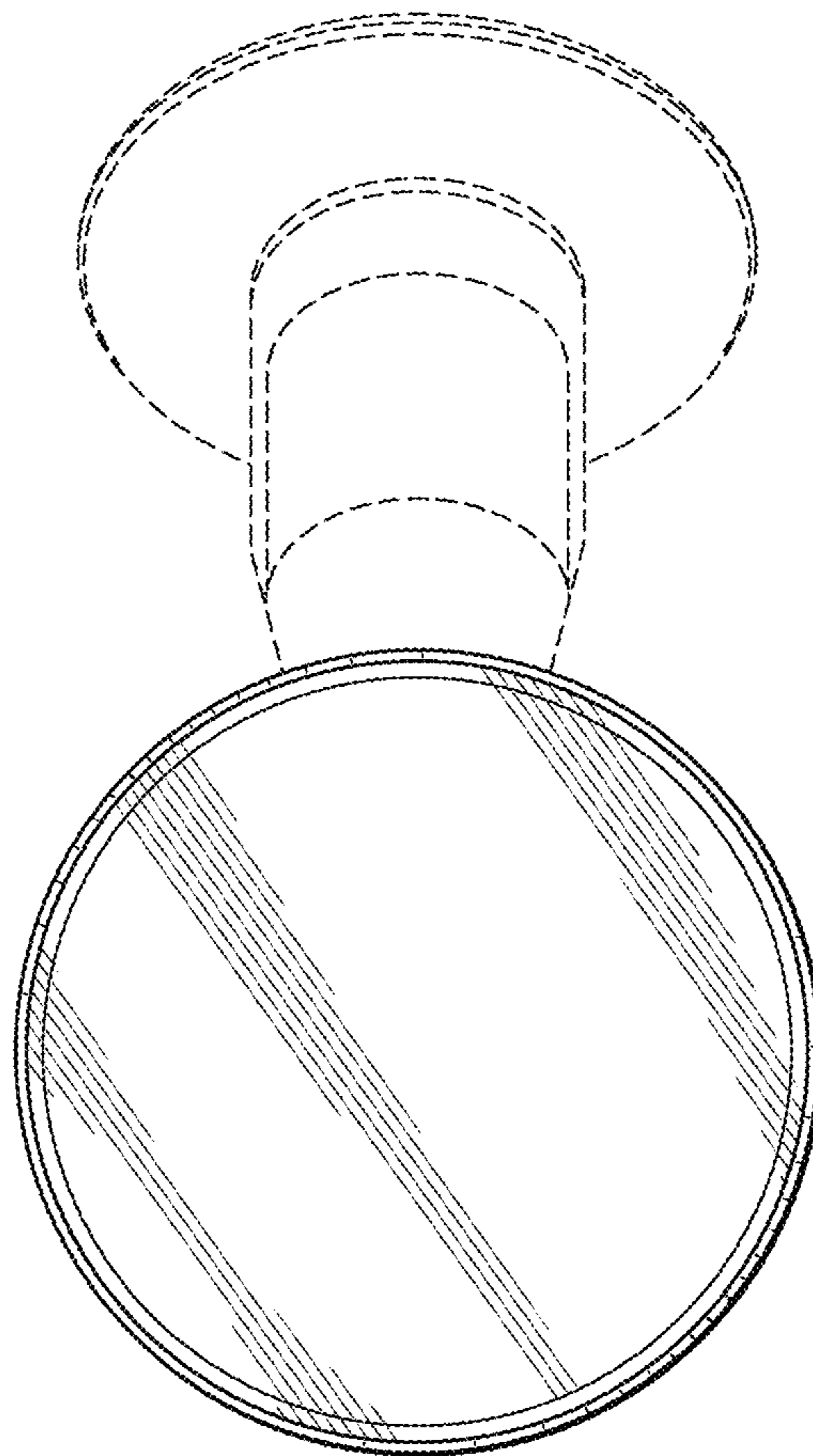


FIG. 6

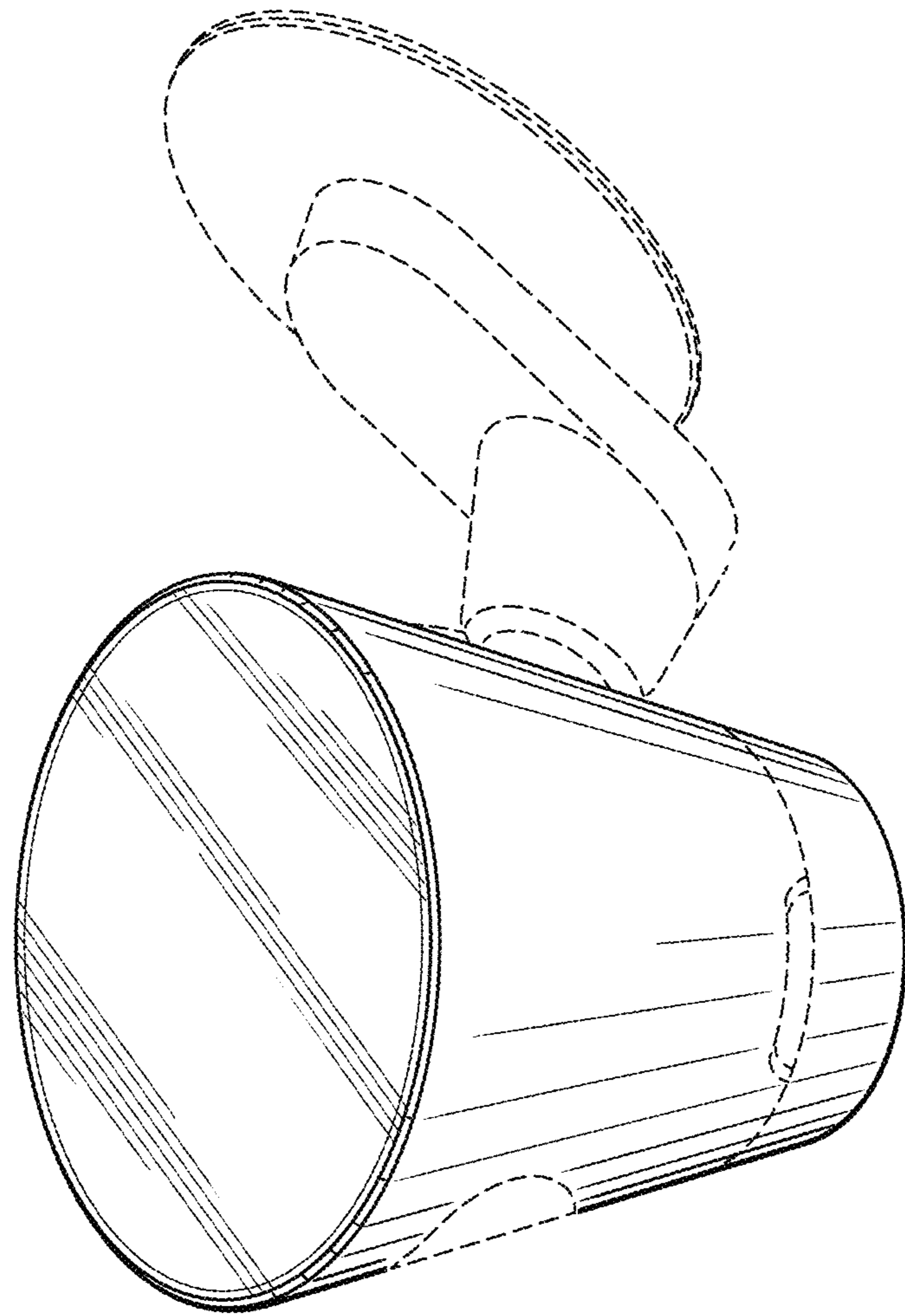


FIG. 7