



US00D819112S

(12) **United States Design Patent** (10) **Patent No.:** **US D819,112 S**  
**Kim et al.** (45) **Date of Patent:** **\*\* May 29, 2018**

(54) **CAMERA**

(71) Applicant: **SAMSUNG ELECTRONICS CO., LTD.**, Suwon-si, Gyeonggi-do (KR)  
(72) Inventors: **Namkyu Kim**, Seoul (KR); **Woojung Moon**, Seoul (KR); **Minki Ham**, Seoul (KR)  
(73) Assignee: **SAMSUNG ELECTRONICS CO., LTD.**, Gyeonggi-Do (KR)

D590,863 S \* 4/2009 Ke ..... D16/202  
D614,683 S \* 4/2010 Oikawa ..... D16/206  
D640,721 S \* 6/2011 Satine ..... D16/202  
D719,205 S \* 12/2014 Matsumoto ..... D16/202  
D728,655 S \* 5/2015 Daniel ..... D16/203  
D732,594 S \* 6/2015 Kawa ..... D16/202  
D741,388 S \* 10/2015 Register ..... D16/202  
D741,931 S 10/2015 Huang et al.  
D742,955 S 11/2015 Kozko et al.  
D753,204 S \* 4/2016 Luo ..... D16/202  
D765,756 S \* 9/2016 Liu ..... D16/203  
D790,620 S \* 6/2017 Lee ..... D16/202  
D792,496 S \* 7/2017 Meyer ..... D16/207

(\*\*) Term: **15 Years**

(21) Appl. No.: **29/597,222**

(22) Filed: **Mar. 15, 2017**

(30) **Foreign Application Priority Data**

Dec. 23, 2016 (KR) ..... 30-2016-0062761

(51) **LOC (11) Cl.** ..... **16-01**

(52) **U.S. Cl.**  
USPC ..... **D16/218**

(58) **Field of Classification Search**  
USPC ..... D16/200, 202–206, 208, 218, 219, 242;  
348/164, 347, 373–376; 396/535,  
396/539–541; 250/330, 332  
CPC ..... G03B 15/03; G03B 17/02; G03B 17/04;  
G03B 17/56; G03B 19/04; H04N 5/2251;  
H04N 5/2252; H04N 5/2253; H04N  
5/2254; H04N 2101/00; H04N 5/33;  
H04N 5/332  
See application file for complete search history.

(56) **References Cited**

**U.S. PATENT DOCUMENTS**

D550,738 S \* 9/2007 Hsia ..... D16/202  
D555,692 S \* 11/2007 Liu ..... D16/202

**FOREIGN PATENT DOCUMENTS**

CN 303521290 S 12/2015

\* cited by examiner

*Primary Examiner* — Philip S Hyder  
*Assistant Examiner* — Ramzi Almatrahi  
(74) *Attorney, Agent, or Firm* — Cantor Colburn LLP

(57) **CLAIM**

The ornamental design for a camera, as shown and described.

**DESCRIPTION**

FIG. 1 is a front perspective view of a camera showing our new design;  
FIG. 2 is a front view thereof;  
FIG. 3 is a rear view thereof;  
FIG. 4 is a left-side view thereof;  
FIG. 5 is a right-side view thereof;  
FIG. 6 is a top view thereof; and,  
FIG. 7 is a bottom view thereof.  
The broken lines illustrating portions of the camera form no part of the claimed design.

**1 Claim, 7 Drawing Sheets**

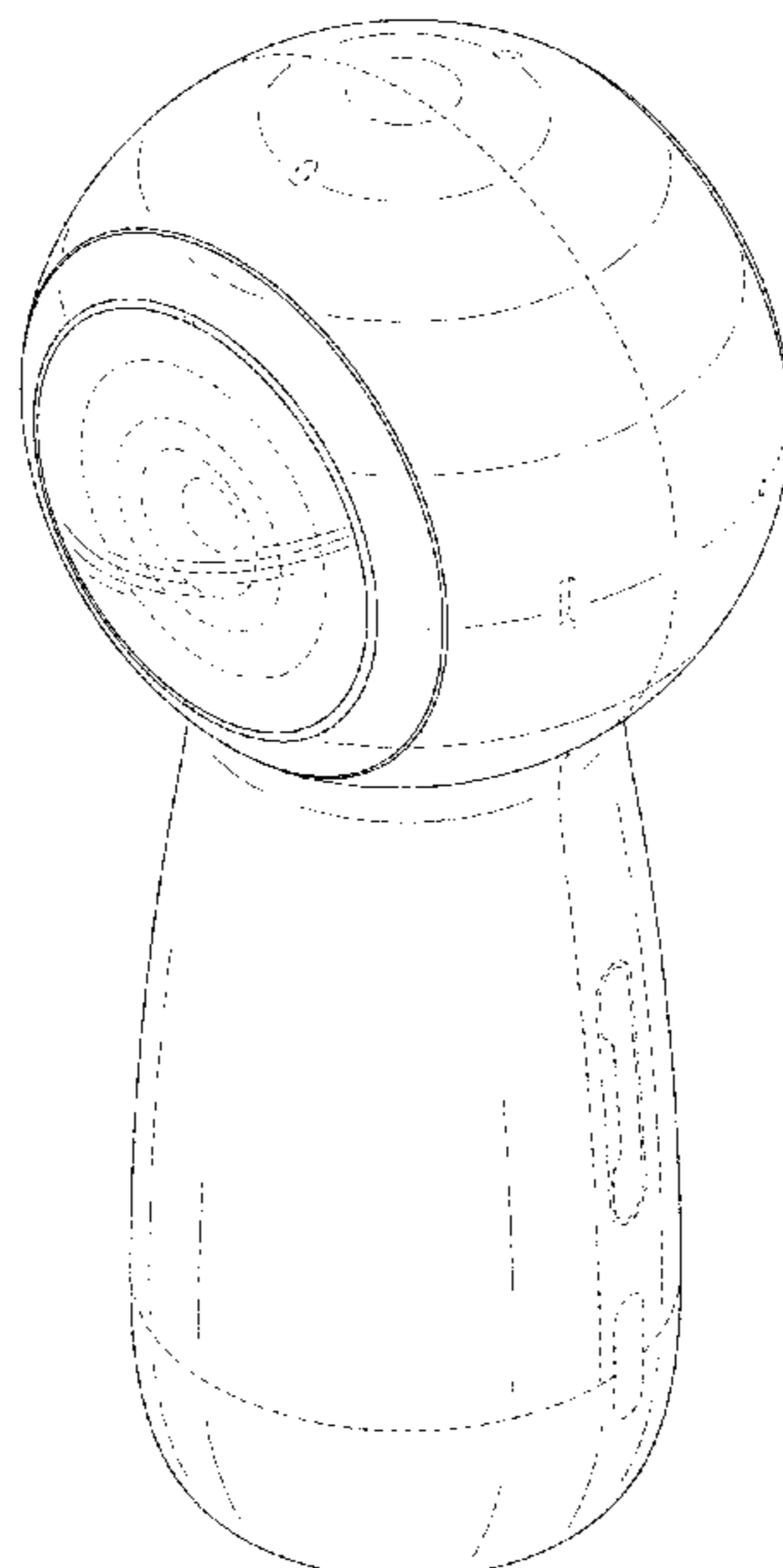


FIG. 1

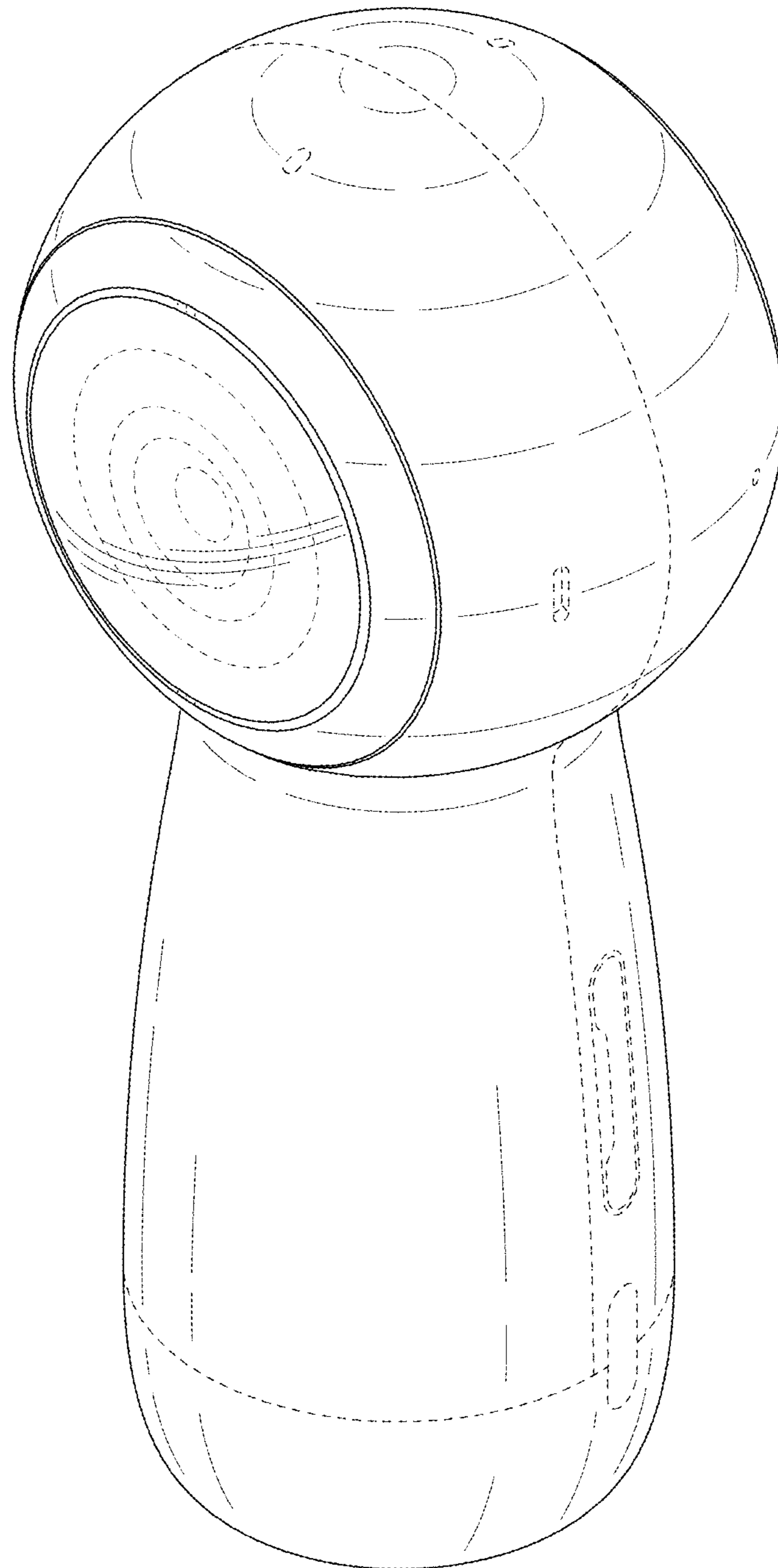


FIG. 2

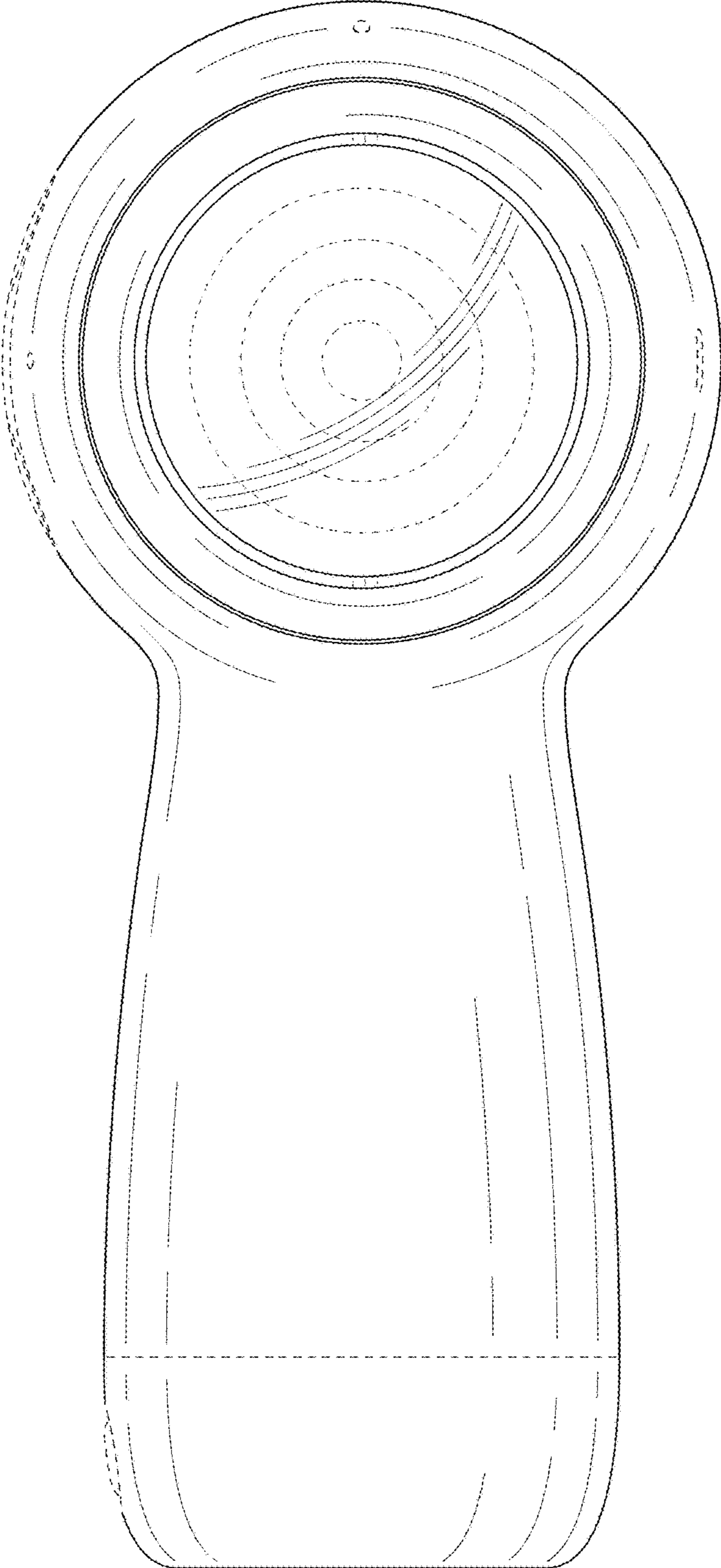


FIG. 3

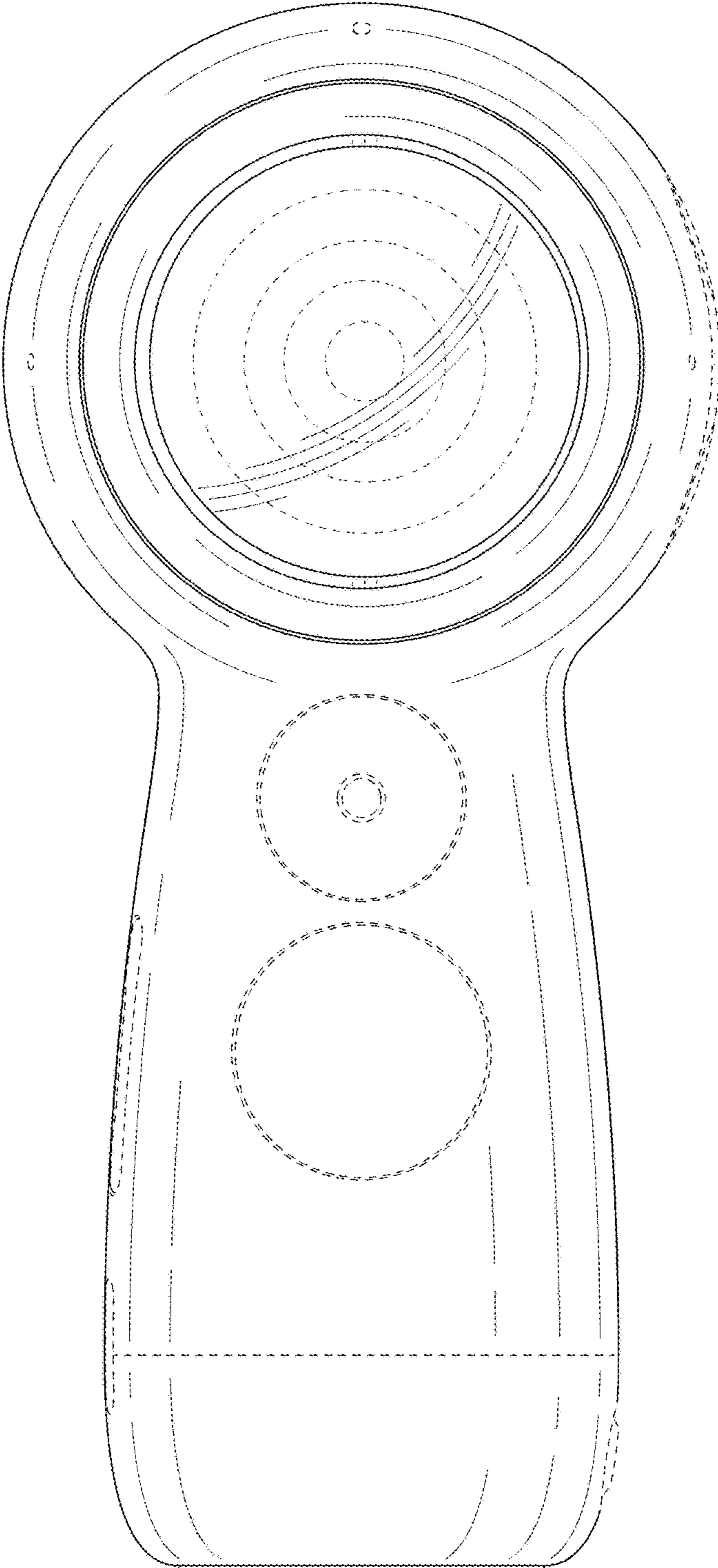


FIG. 4

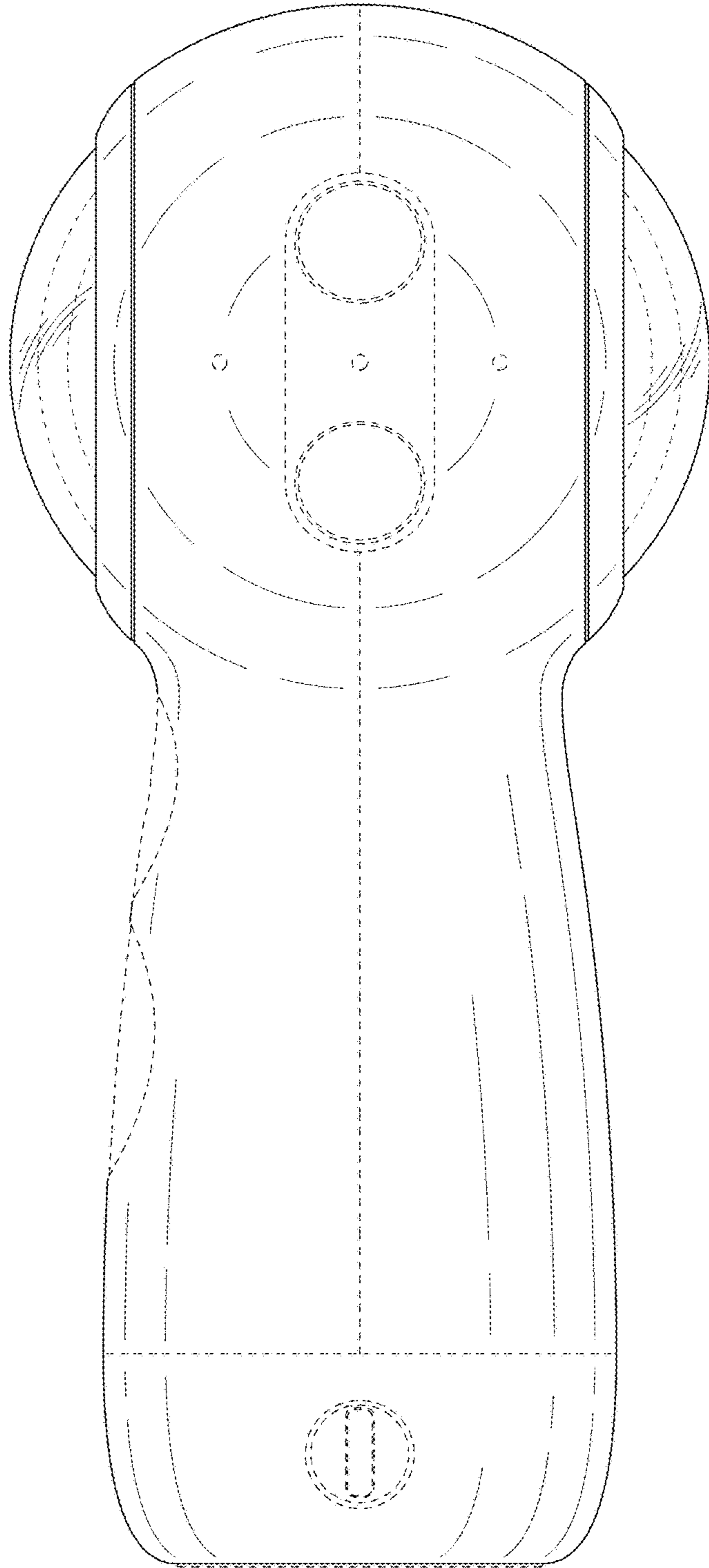




FIG. 5

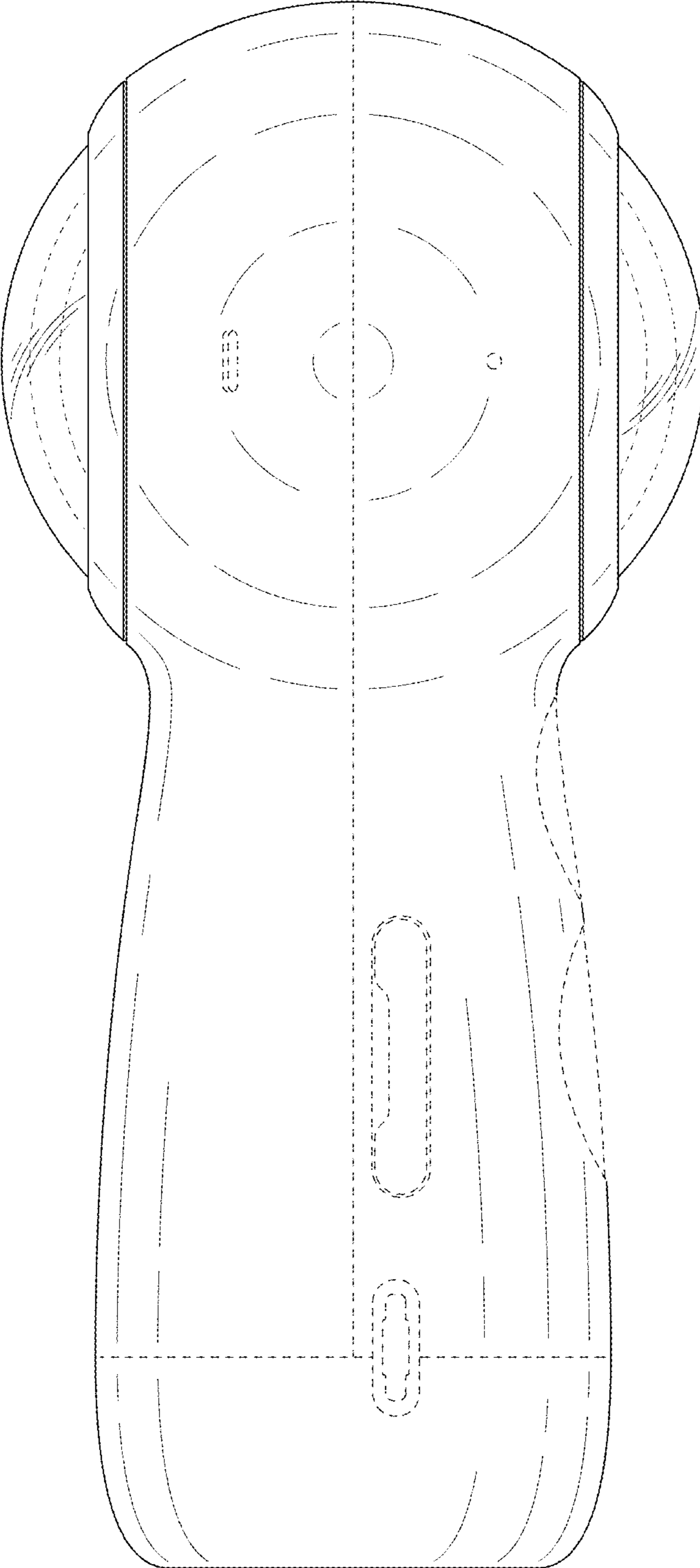


FIG. 6

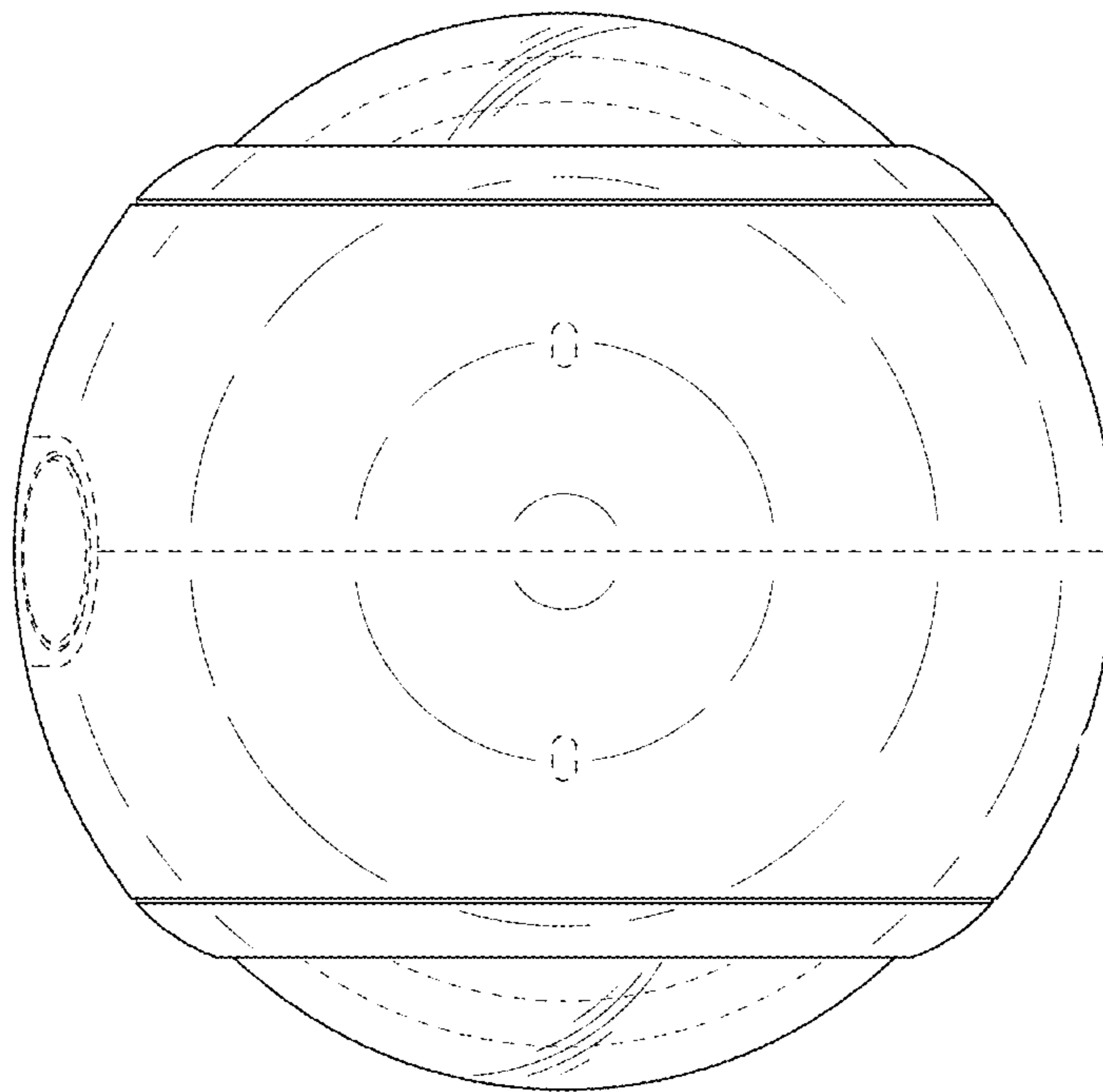


FIG. 7

