



US00D819110S

(12) **United States Design Patent**
Chang

(10) **Patent No.:** **US D819,110 S**

(45) **Date of Patent:** **** May 29, 2018**

(54) **PANORAMA CAMERA**

(71) Applicant: **eYs3D Microelectronics, Co., Taipei (TW)**

(72) Inventor: **Chi-Hua Chang, Hsinchu (TW)**

(73) Assignee: **eYs3D Microelectronics, Co., Taipei (TW)**

(**) Term: **15 Years**

(21) Appl. No.: **29/584,561**

(22) Filed: **Nov. 15, 2016**

(30) **Foreign Application Priority Data**

May 16, 2016 (CN) 2016 3 0182144

(51) **LOC (11) Cl.** **16-01**

(52) **U.S. Cl.**
USPC **D16/210; D16/218**

(58) **Field of Classification Search**

USPC D16/200, 202-206, 208-209, 218, 219;
348/373-376; 396/535, 539-541

CPC G03B 15/03; G03B 17/02; G03B 17/04;
G03B 17/56; G03B 19/04; H04N 5/2251;
H04N 5/2252; H04N 5/2253; H04N
5/2254; H04N 2101/00

See application file for complete search history.

(56) **References Cited**

U.S. PATENT DOCUMENTS

D516,105 S * 2/2006 Bradley D16/202
D554,682 S * 11/2007 Martinez D16/203

7,724,302 B2 * 5/2010 Yu H04N 1/00519
348/373
D628,223 S * 11/2010 Kao D16/202
D678,929 S * 3/2013 Hancock D16/202
D690,344 S * 9/2013 Hollinger D16/200
D700,232 S * 2/2014 Ramsay D16/207
D705,844 S * 5/2014 Bart D16/203
D731,579 S * 6/2015 Bart D16/203
D741,931 S * 10/2015 Huang D16/202
D742,955 S * 11/2015 Kozko D16/207
9,479,697 B2 * 10/2016 Aguilar H04N 5/23238
2012/0263450 A1 * 10/2012 Totani B60R 11/04
396/428

* cited by examiner

Primary Examiner — Philip S Hyder

Assistant Examiner — Ramzi Almatrahi

(74) *Attorney, Agent, or Firm* — Winston Hsu

(57) **CLAIM**

The ornamental design for a panorama camera, as shown and described.

DESCRIPTION

FIG. 1 is a top, front and right side perspective view of a panorama camera showing my new design;

FIG. 2 is a bottom, front and right side perspective view thereof;

FIG. 3 is a front view thereof;

FIG. 4 is a rear view thereof;

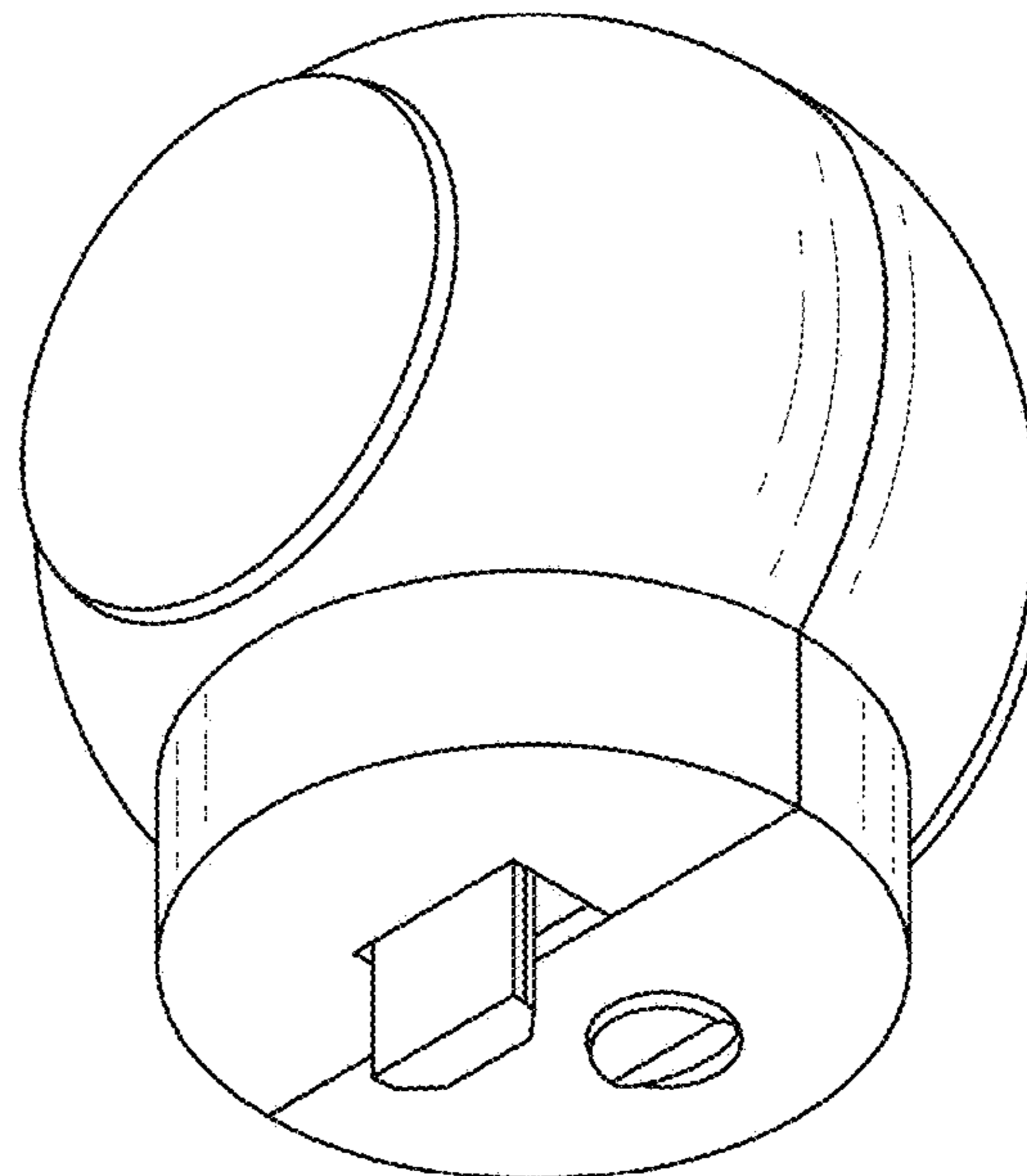
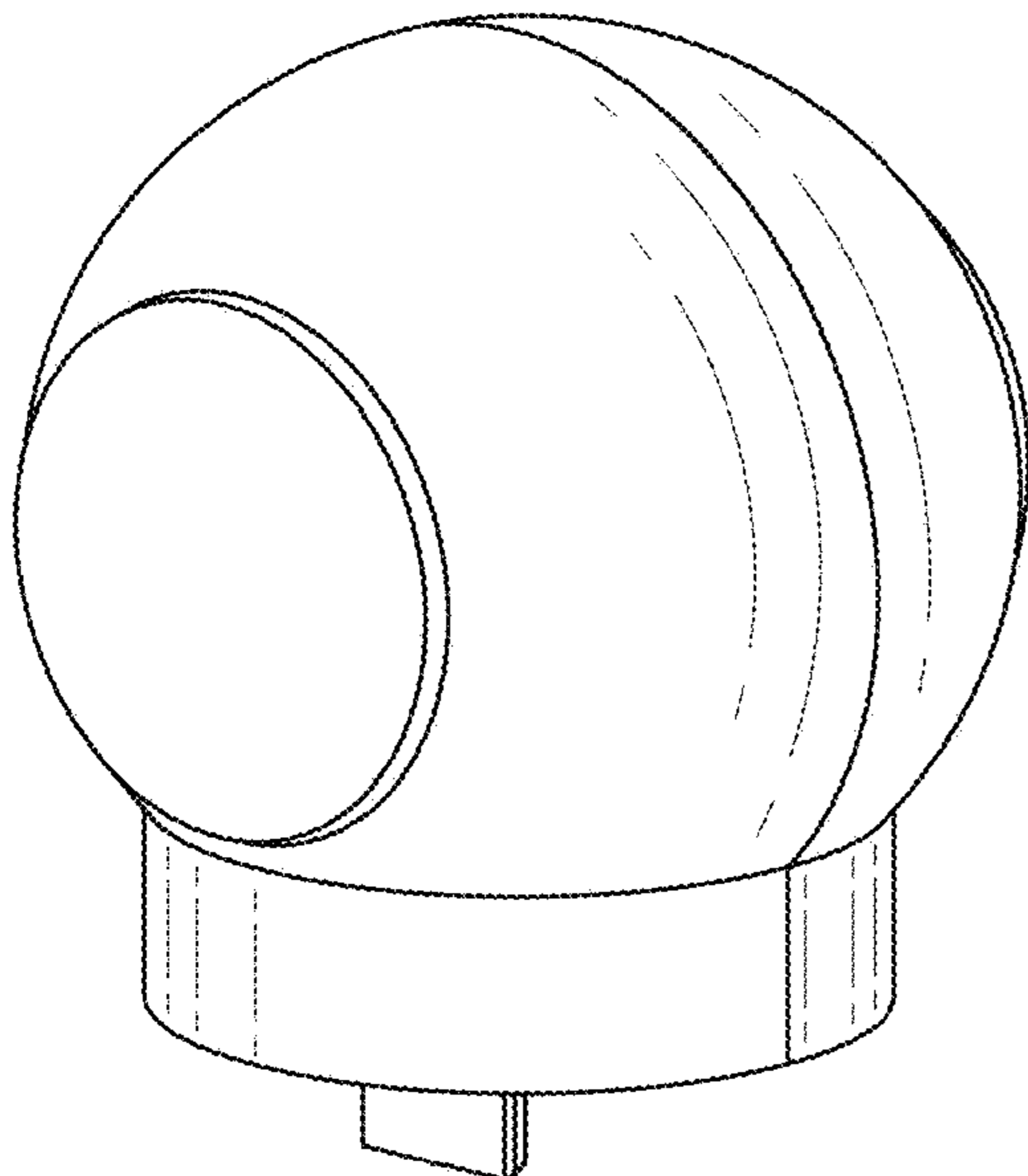
FIG. 5 is a left side view thereof;

FIG. 6 is a right side view thereof;

FIG. 7 is a top view thereof; and,

FIG. 8 is a bottom view thereof.

1 Claim, 8 Drawing Sheets



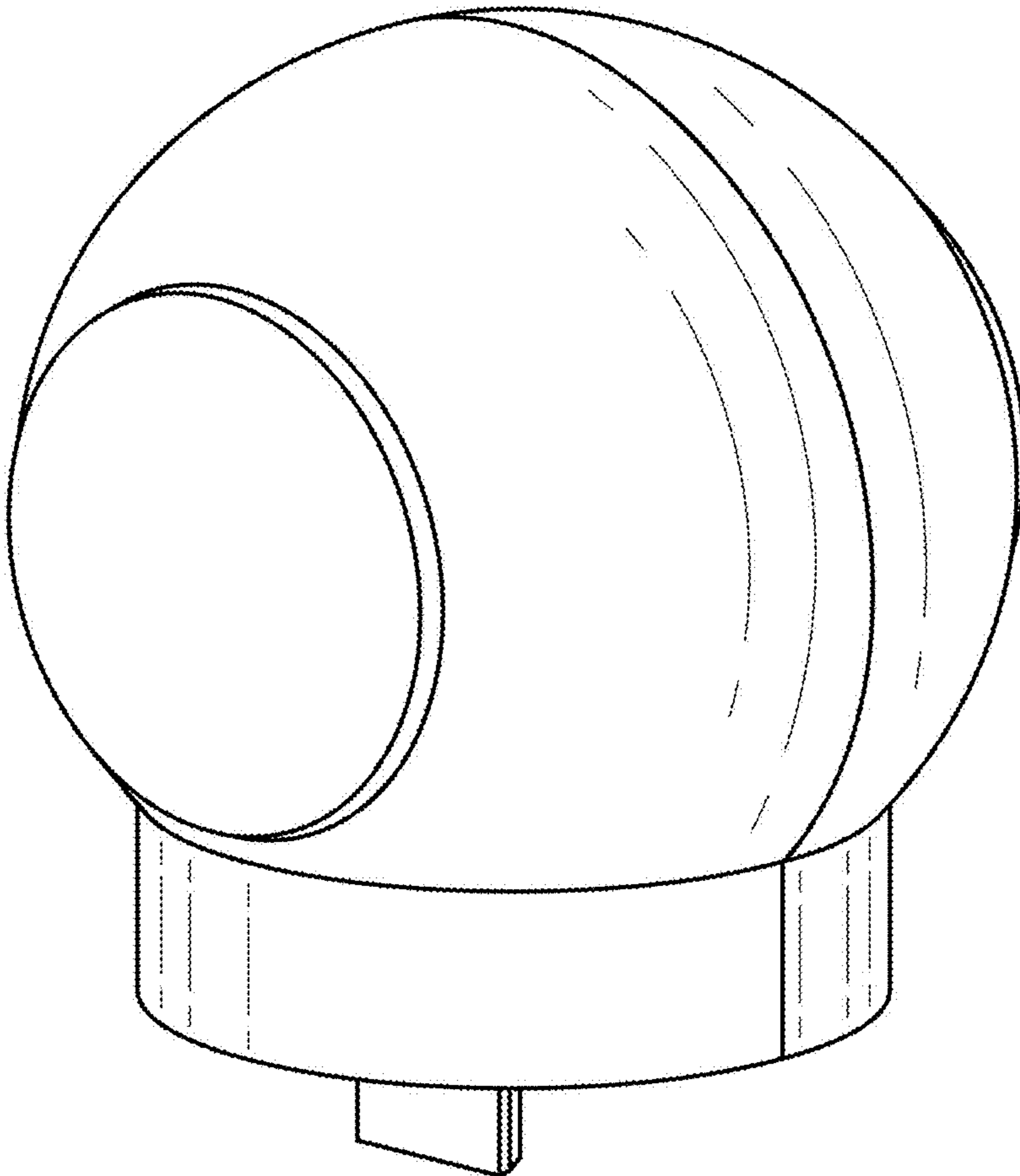


FIG. 1

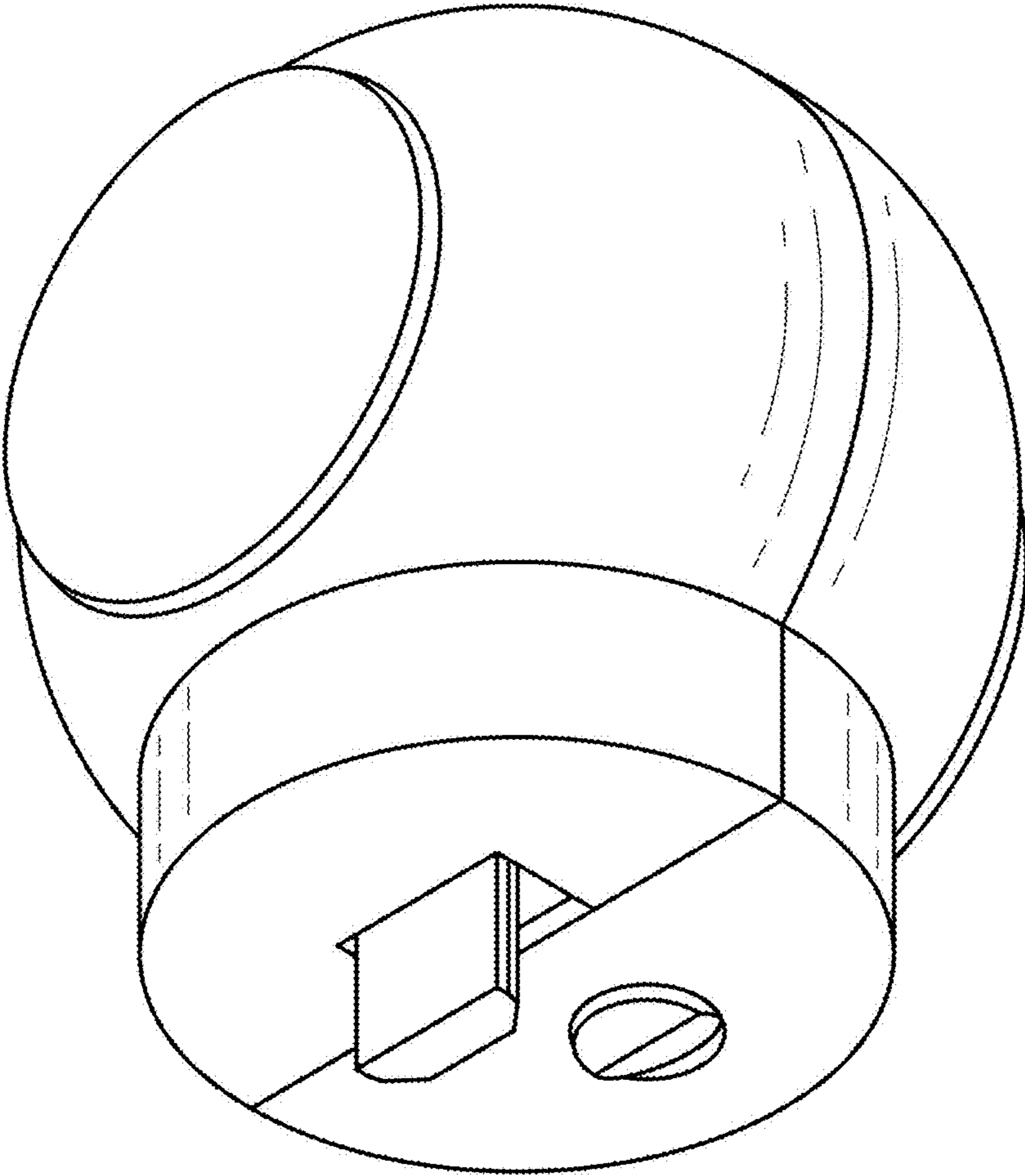


FIG. 2

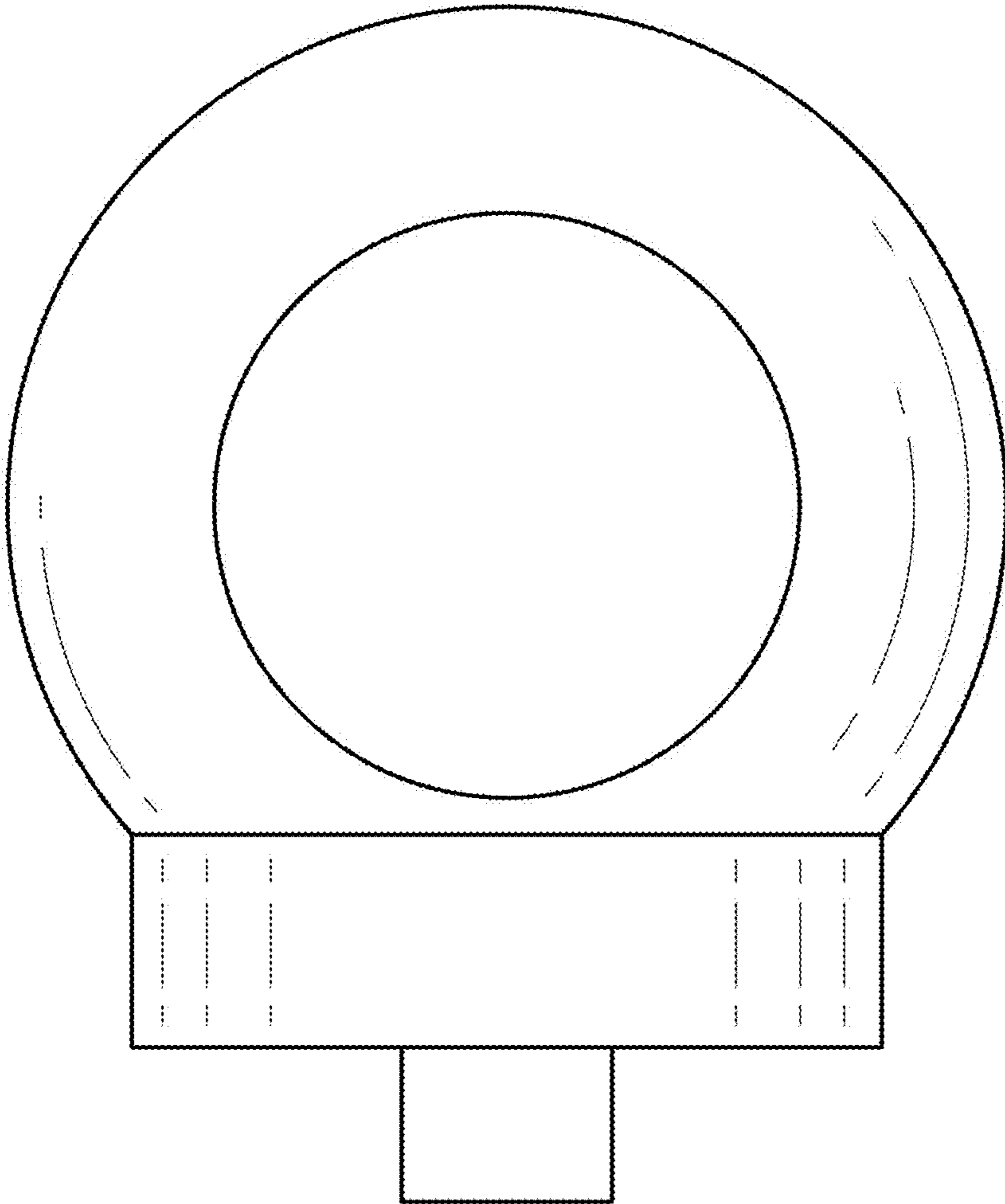


FIG. 3

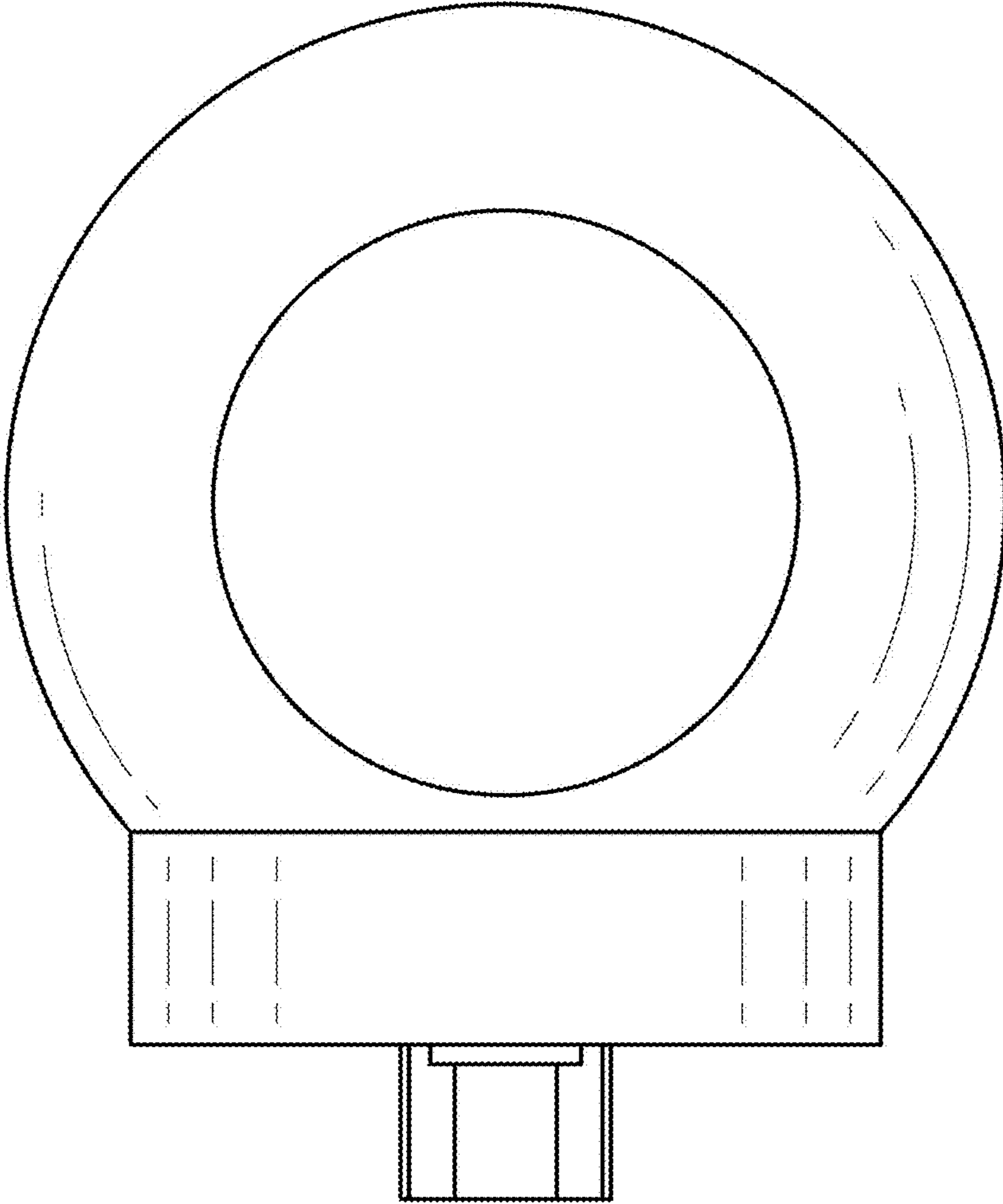


FIG. 4

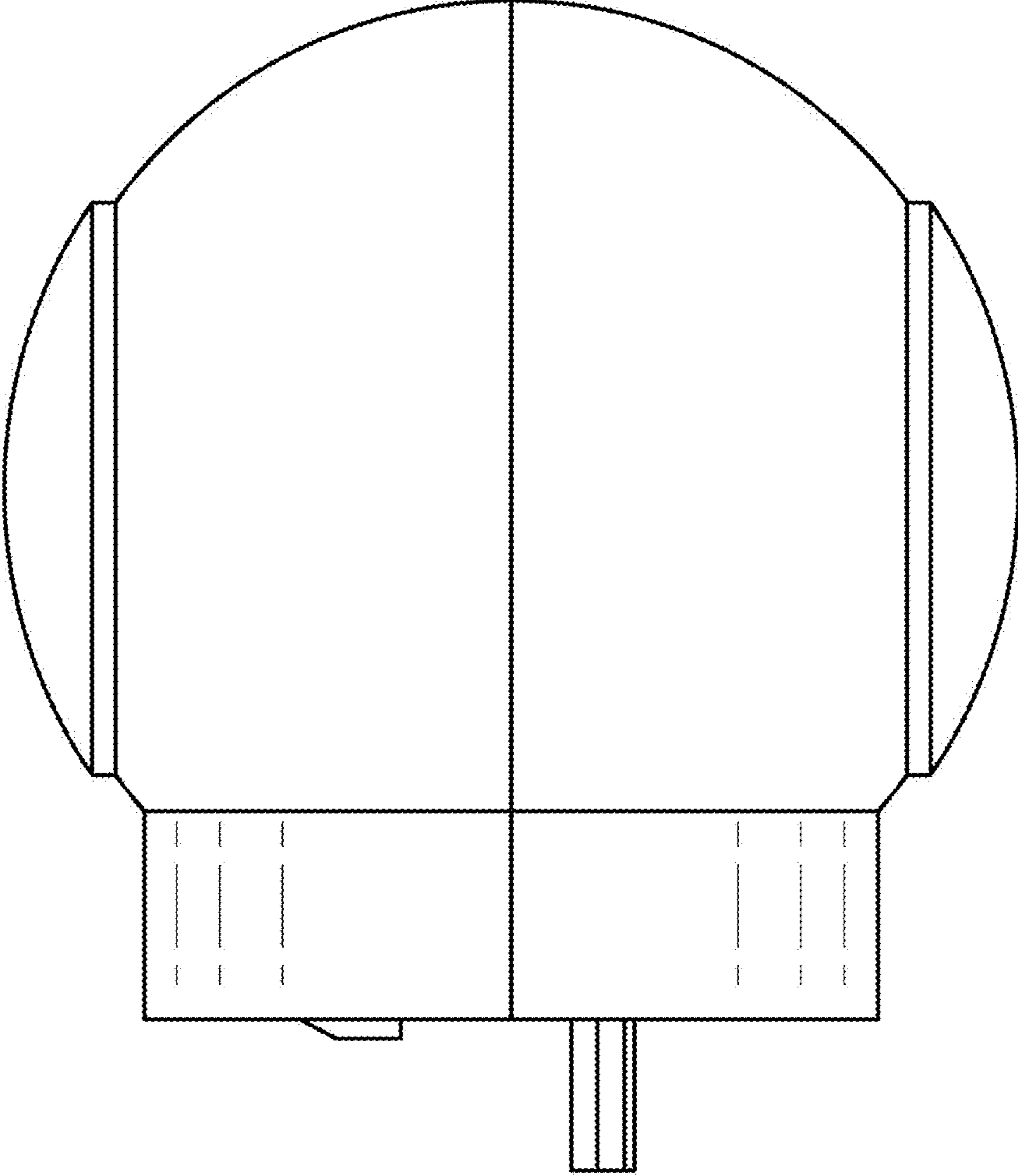


FIG. 5

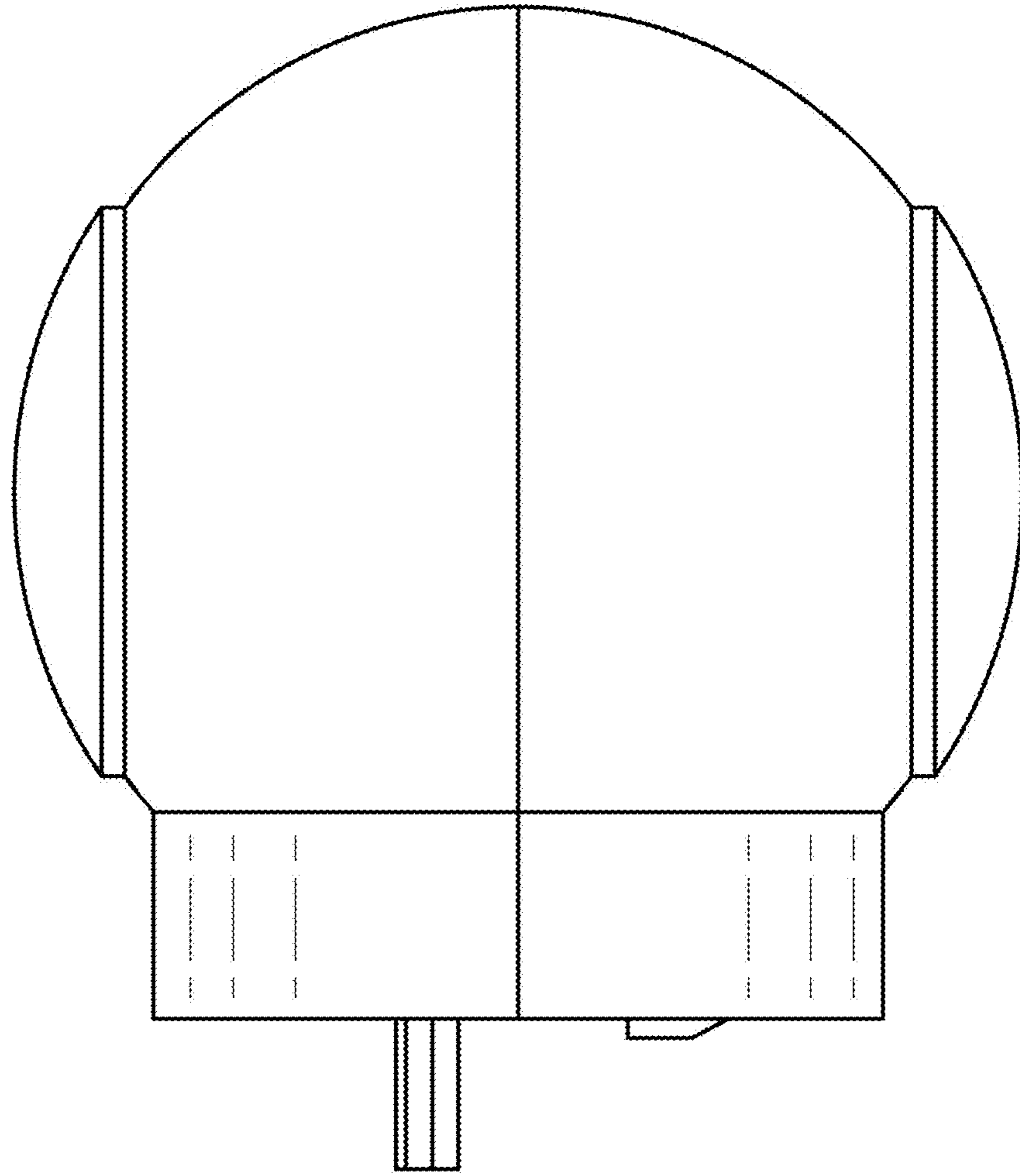


FIG. 6

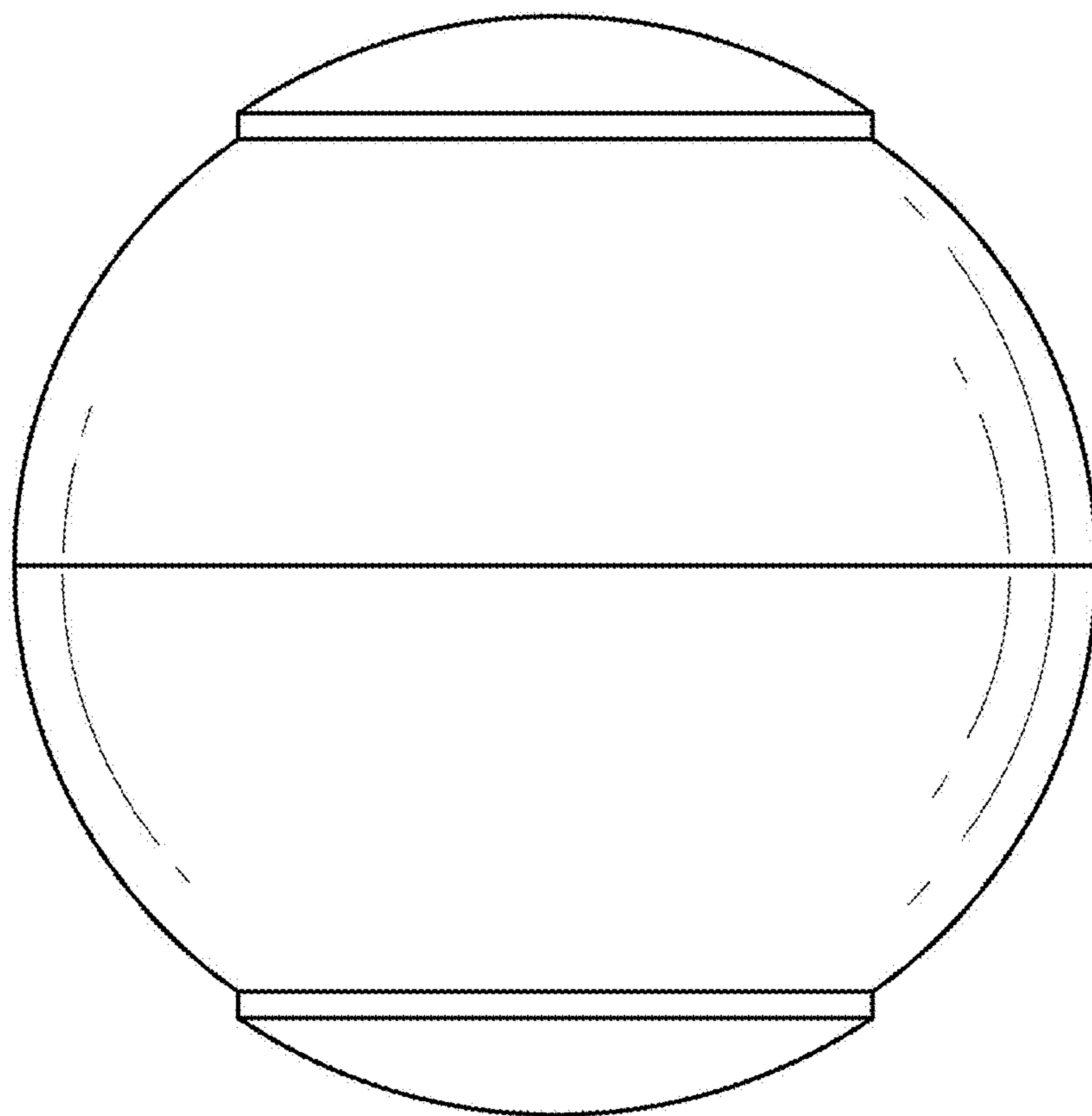


FIG. 7

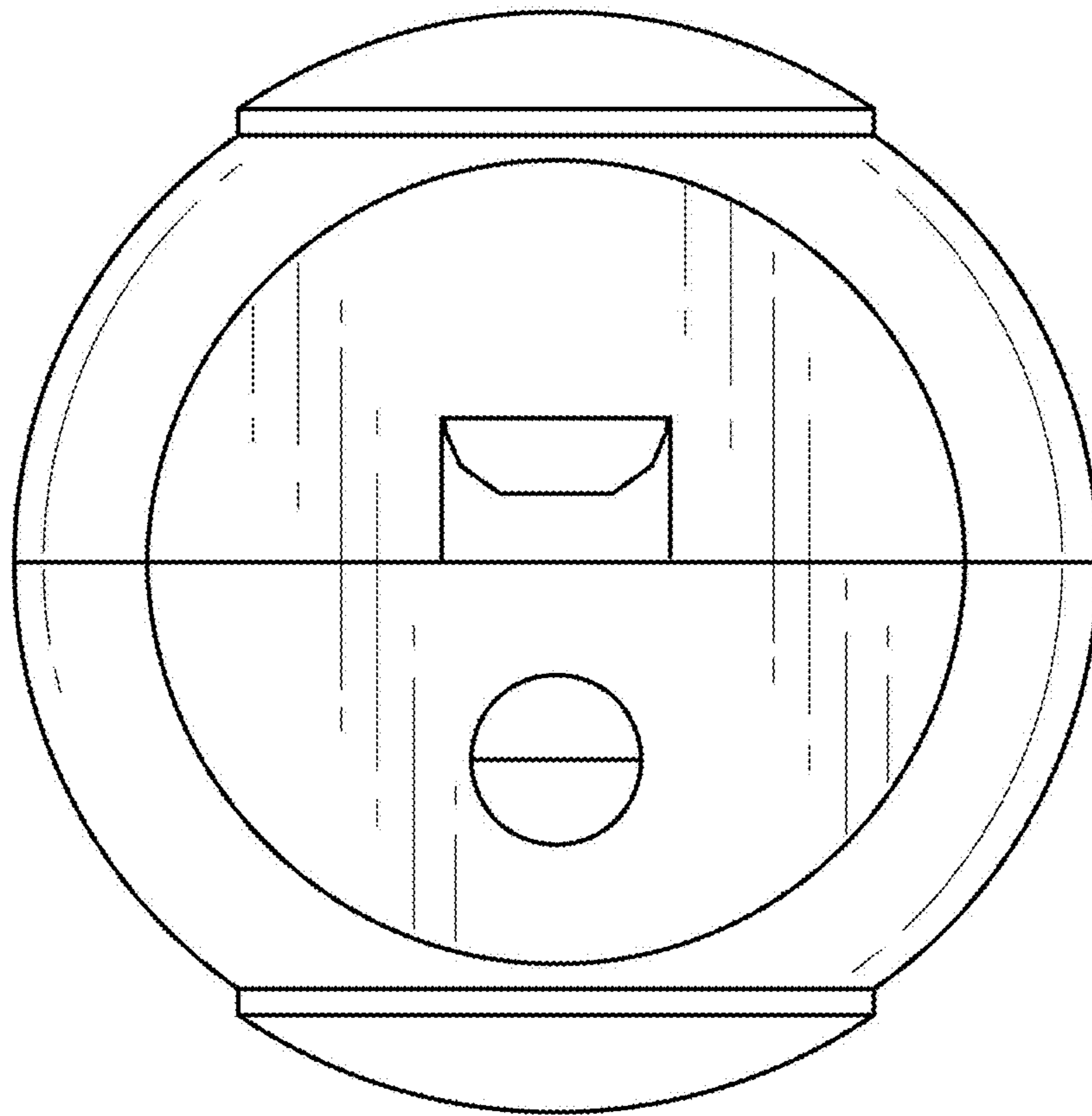


FIG. 8