



US00D819109S

(12) **United States Design Patent** (10) **Patent No.:** **US D819,109 S**  
**Yamauchi et al.** (45) **Date of Patent:** **\*\* May 29, 2018**

(54) **WATERPROOF CASE FOR A CAMERA**

H04N 5/2251; H04N 5/2252; H04N 5/2253; H04N 5/2254; A45C 11/38

See application file for complete search history.

(71) Applicant: **SAMSUNG ELECTRONICS CO., LTD.**, Suwon-si, Gyeonggi-do (KR)

(56) **References Cited**

(72) Inventors: **Kenji Yamauchi**, Seoul (KR); **Kyunghan Noh**, Seoul (KR); **Minki Ham**, Seoul (KR)

U.S. PATENT DOCUMENTS

(73) Assignee: **SAMSUNG ELECTRONICS CO., LTD.**, Gyeonggi-Do (KR)

D225,901	S	*	1/1973	Yagi	.....	D16/204
D467,952	S	*	12/2002	Nakamura	.....	D16/202
D527,406	S	*	8/2006	Lin	.....	D16/202
D554,682	S	*	11/2007	Martinez	.....	D16/203
D628,223	S	*	11/2010	Kao	.....	D16/202
D728,660	S	*	5/2015	Kim	.....	D16/219
D730,966	S	*	6/2015	Liu	.....	D16/202
D730,969	S	*	6/2015	O'Neill	.....	D16/219
D742,955	S	*	11/2015	Kozko	.....	D16/207
9,521,301	B2	*	12/2016	Bart	.....	H04N 5/2252
D803,290	S	*	11/2017	Martin	.....	D16/204

(\*\*) Term: **15 Years**

\* cited by examiner

(21) Appl. No.: **29/566,028**

*Primary Examiner* — Philip S Hyder  
*Assistant Examiner* — Ramzi Almatrahi  
(74) *Attorney, Agent, or Firm* — Cantor Colburn LLP

(22) Filed: **May 26, 2016**

(30) **Foreign Application Priority Data**

Dec. 24, 2015 (KR) ..... 30-2015-0066310

(51) **LOC (11) Cl.** ..... **16-01**

(52) **U.S. Cl.**  
USPC ..... **D16/204**; D16/200

(58) **Field of Classification Search**  
USPC ..... D16/200, 202–204, 208, 211, 218, 219, D16/237, 242; D3/263, 267, 268; 248/176.1, 187.1; 348/81, 360, 373–376, 348/835; 396/25, 27–29, 419, 535, 396/539–541  
CPC ..... G03B 15/03; G03B 17/02; G03B 17/04; G03B 17/08; G03B 17/56; G03B 19/04;

(57) **CLAIM**

The ornamental design for a waterproof case for a camera, as shown and described.

**DESCRIPTION**

FIG. 1 is a front perspective view of a waterproof case for a camera showing our new design;  
FIG. 2 is a front view thereof;  
FIG. 3 is a rear view thereof;  
FIG. 4 is a left-side view thereof;  
FIG. 5 is a right-side view thereof;  
FIG. 6 is a top view thereof;  
FIG. 7 is a bottom view thereof; and,  
FIG. 8 is a top plan view thereof, showing the waterproof case for a camera in an open configuration.  
The broken lines illustrating portions of the waterproof case for a camera form no part of the claimed design.

**1 Claim, 5 Drawing Sheets**

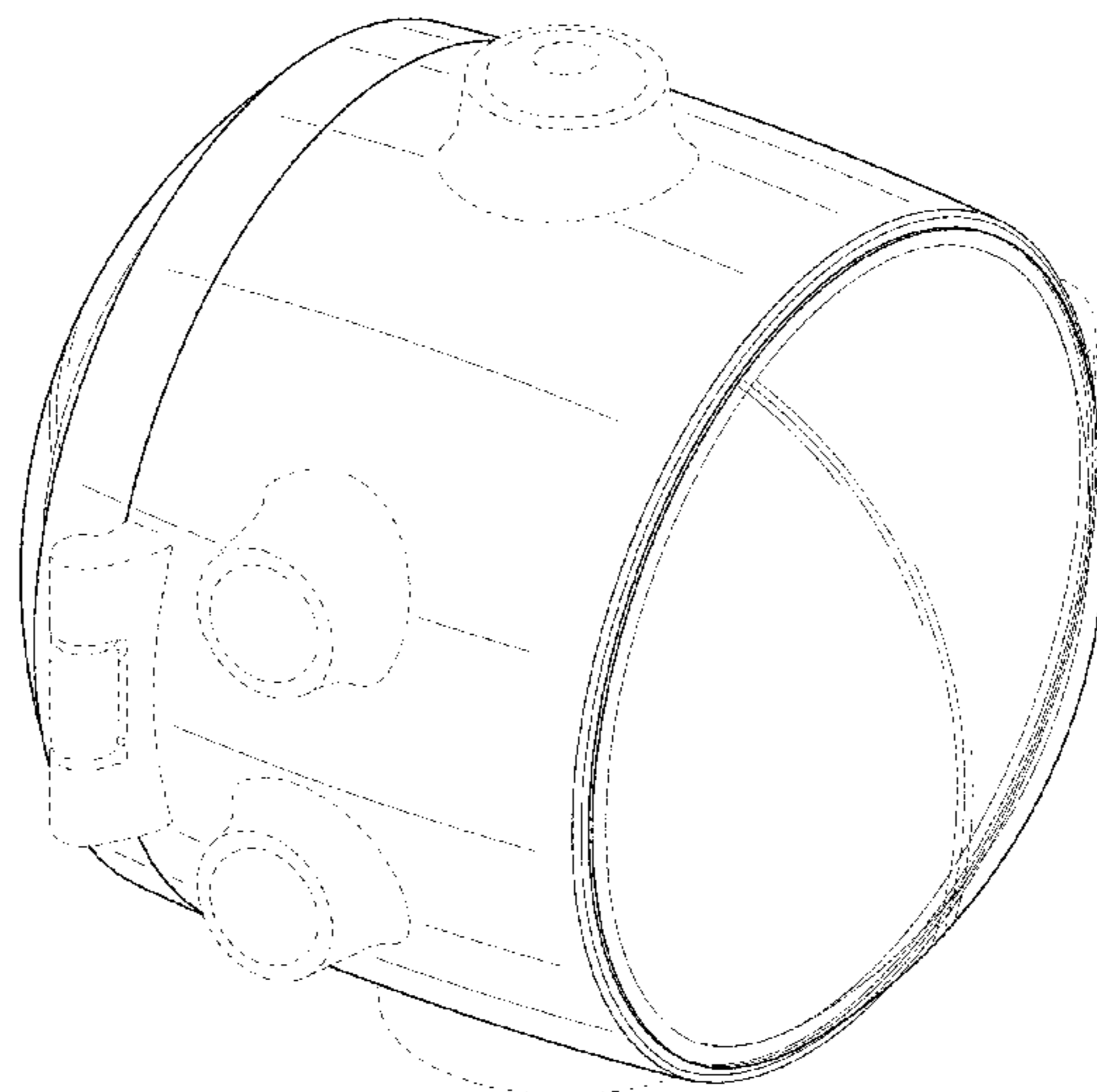


FIG.1

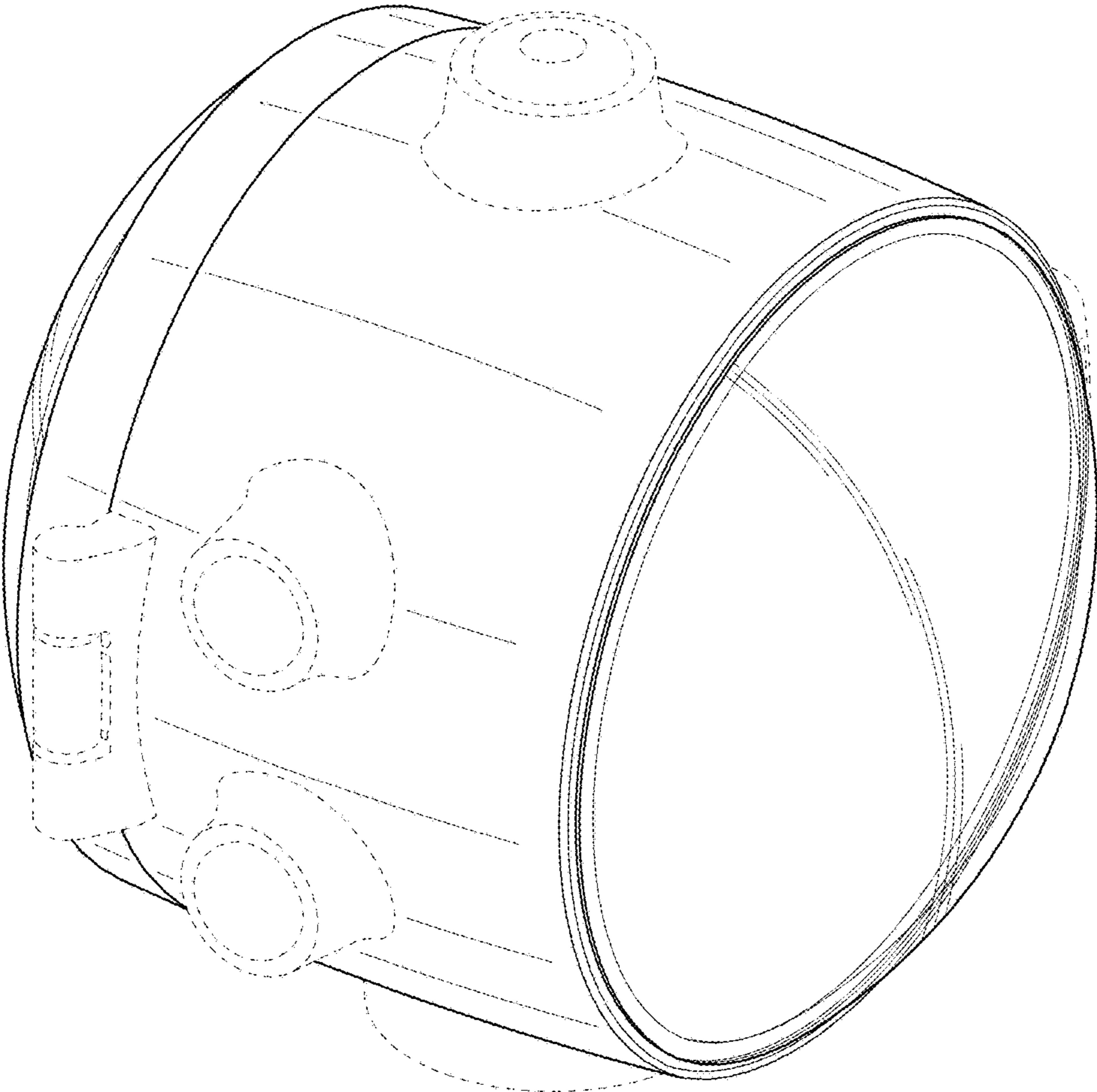


FIG.2

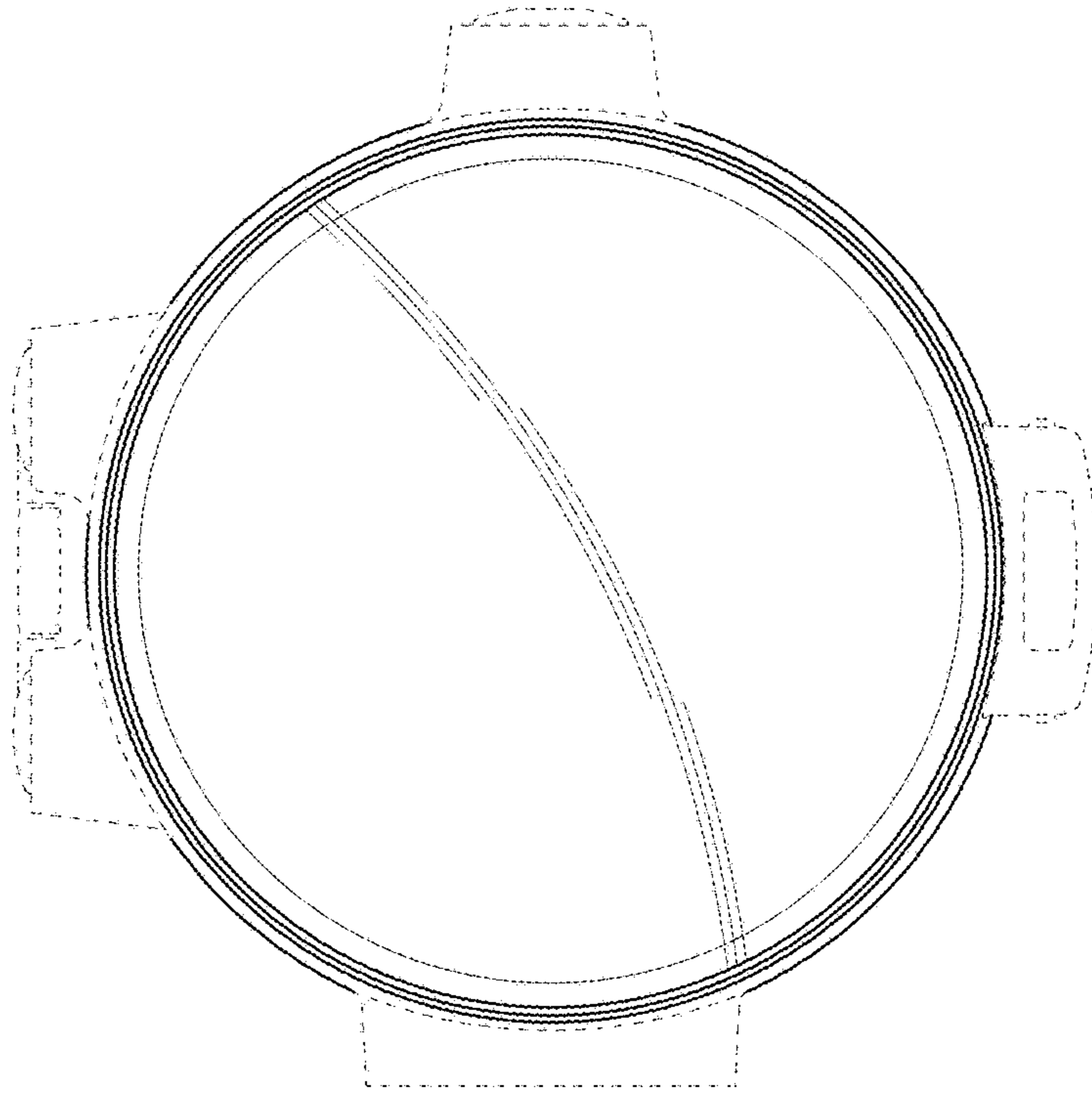


FIG.3

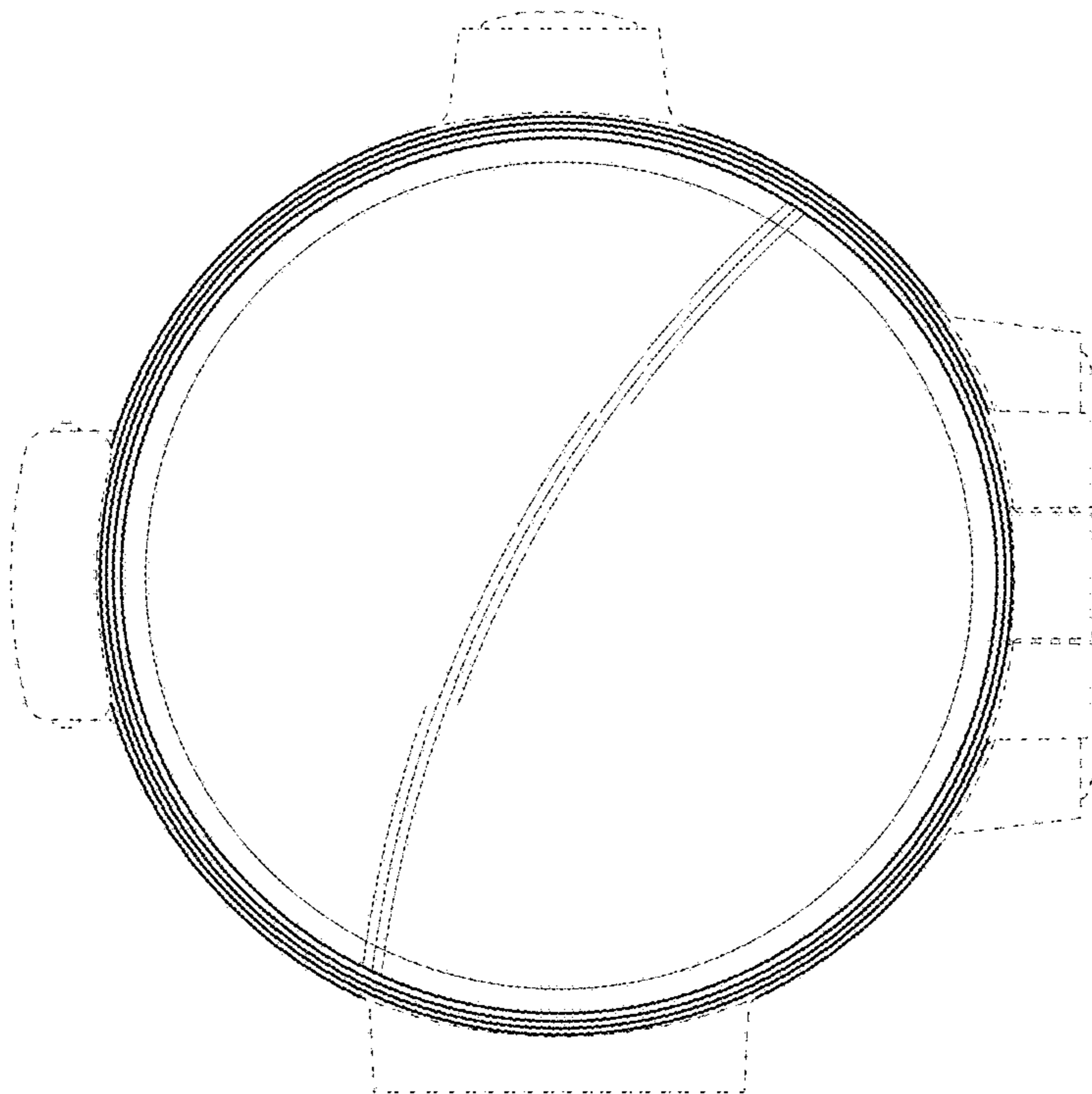


FIG.4

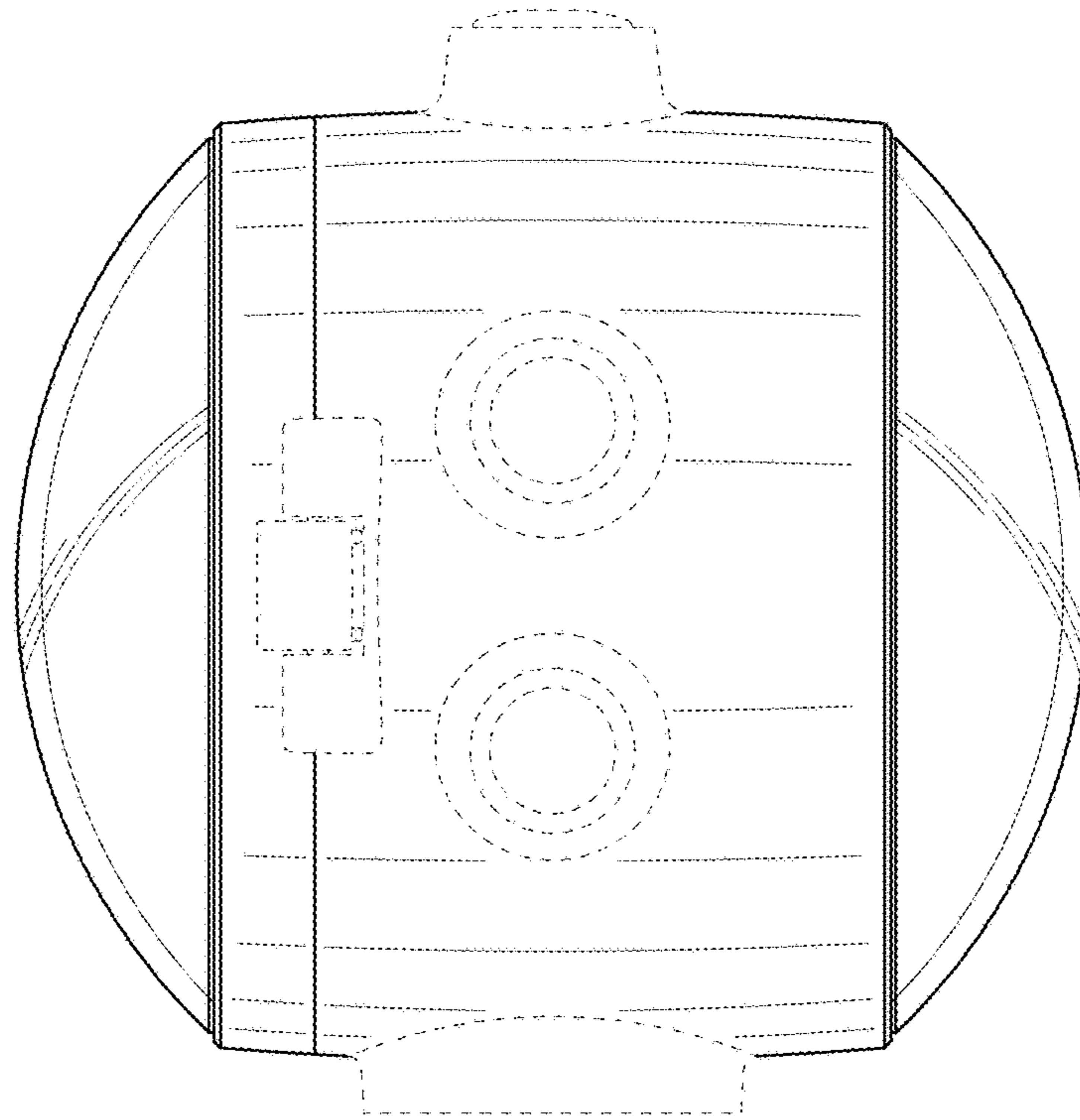


FIG.5

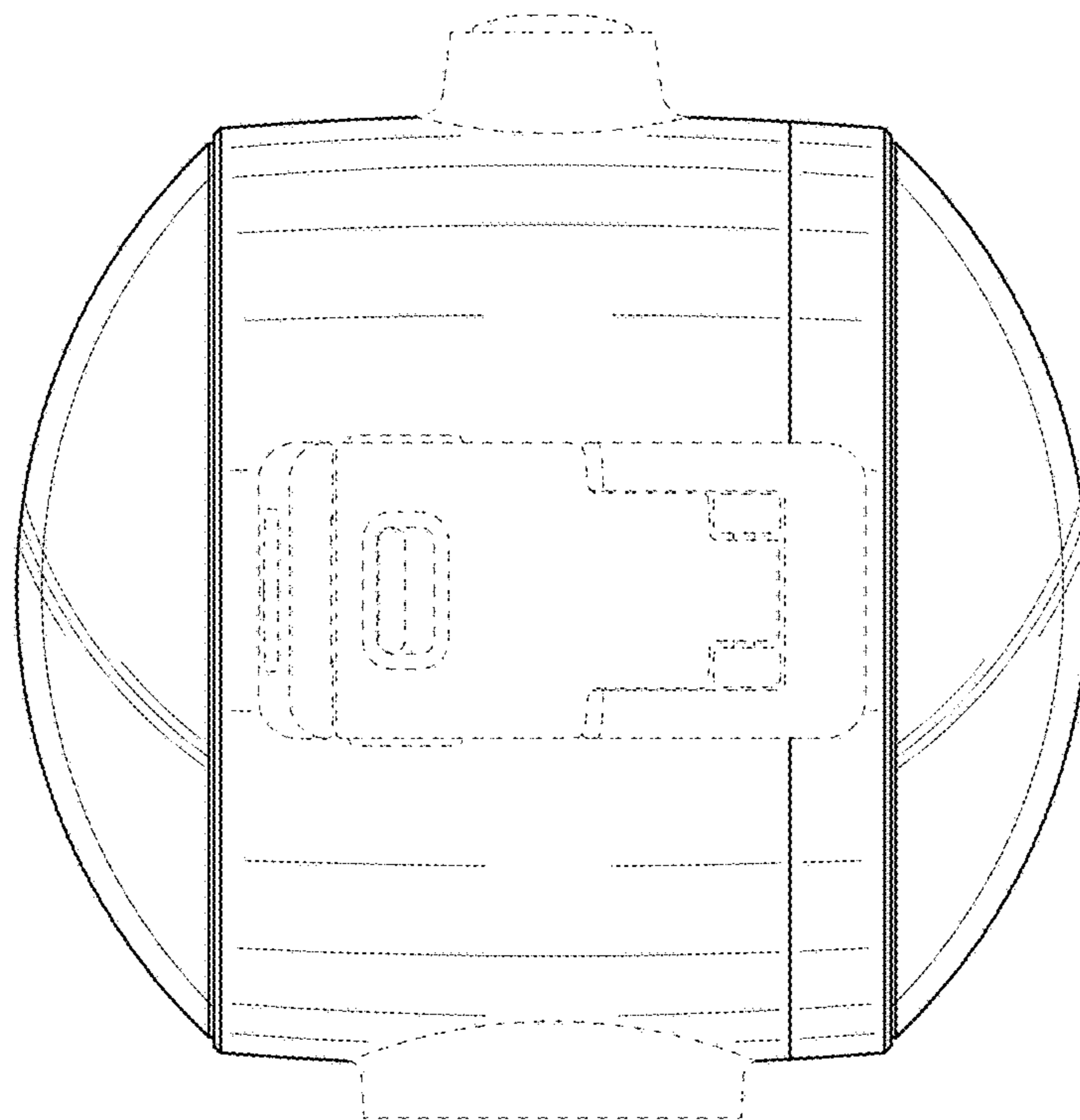


FIG.6

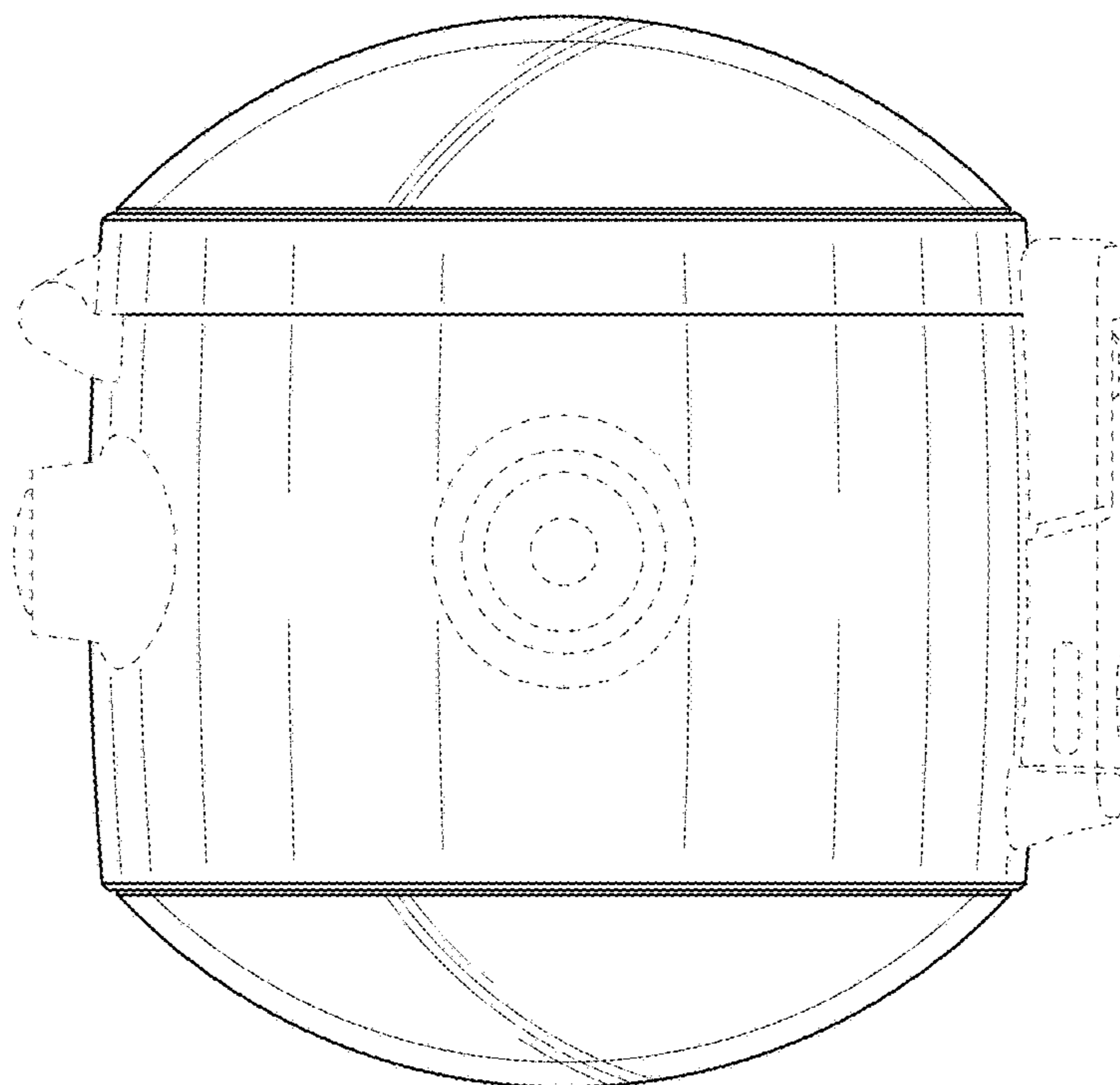


FIG.7

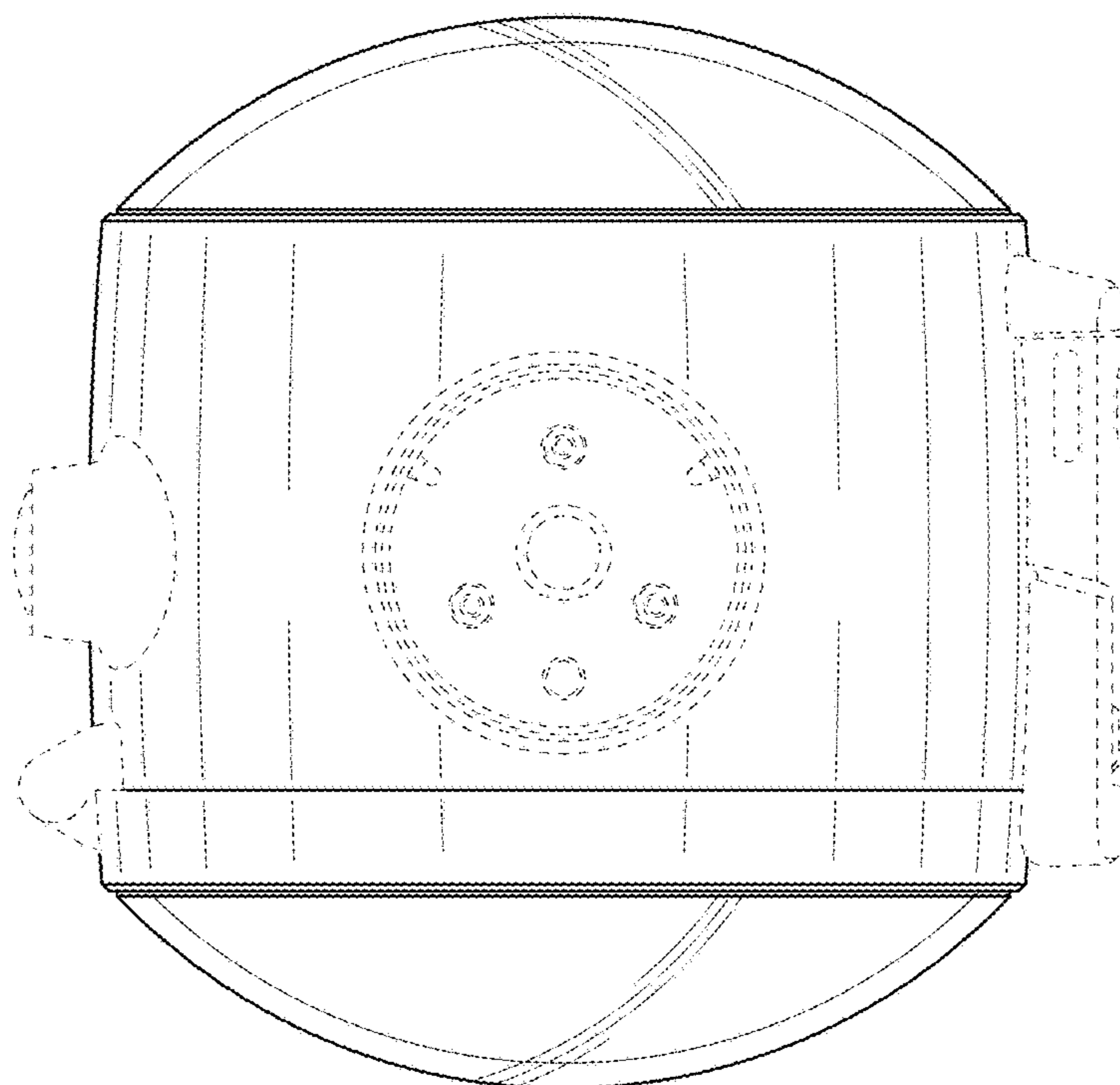


FIG.8

