



US00D819108S

(12) **United States Design Patent** (10) **Patent No.:** **US D819,108 S**  
**Wu et al.** (45) **Date of Patent:** **\*\* May 29, 2018**

(54) **MONITORING CAMERA**  
(71) Applicant: **GeoVision Inc.**, Taipei (TW)  
(72) Inventors: **Chih-Ming Wu**, New Taipei (TW);  
**Min-Wei Chen**, Taipei (TW);  
**Yi-Hsiang Wang**, Taipei (TW)  
(73) Assignee: **GeoVision Inc.**, Taipei (TW)  
(\*\*) Term: **15 Years**

D517,585 S \* 3/2006 Iino ..... D16/203  
D550,738 S \* 9/2007 Hsia ..... D16/202  
D552,650 S \* 10/2007 Yamakawa ..... D16/203  
D558,249 S \* 12/2007 Hsia ..... D16/203  
D583,845 S \* 12/2008 Hayashi ..... D14/130  
D719,202 S \* 12/2014 Lee ..... D16/202  
D728,654 S \* 5/2015 Lee ..... D16/202  
D753,204 S \* 4/2016 Luo ..... D16/202  
D753,206 S \* 4/2016 Ravat ..... D16/203  
D783,076 S \* 4/2017 Ravat ..... D16/203  
2006/0023113 A1 \* 2/2006 Lin ..... G08B 13/1963  
348/373

(21) Appl. No.: **29/587,179**  
(22) Filed: **Dec. 12, 2016**  
(51) **LOC (11) Cl.** ..... **16-01**  
(52) **U.S. Cl.**  
USPC ..... **D16/203**  
(58) **Field of Classification Search**  
USPC ..... D16/200, 202-208, 218, 219, 242;  
348/143, 148, 151, 373-376; 396/419,  
396/427, 535, 539-541; 248/176.1, 187.1  
CPC ..... G03B 17/02; G03B 19/04; G03B 17/56;  
G03B 17/04; G03B 15/03; H04N 5/2251;  
H04N 5/2252; H04N 5/2253; H04N  
5/2254; H04N 7/181; H04N 7/183; H04N  
7/18  
See application file for complete search history.

\* cited by examiner

*Primary Examiner* — Philip S Hyder  
*Assistant Examiner* — Ramzi Almatrahi  
(74) *Attorney, Agent, or Firm* — Winston Hsu

(57) **CLAIM**

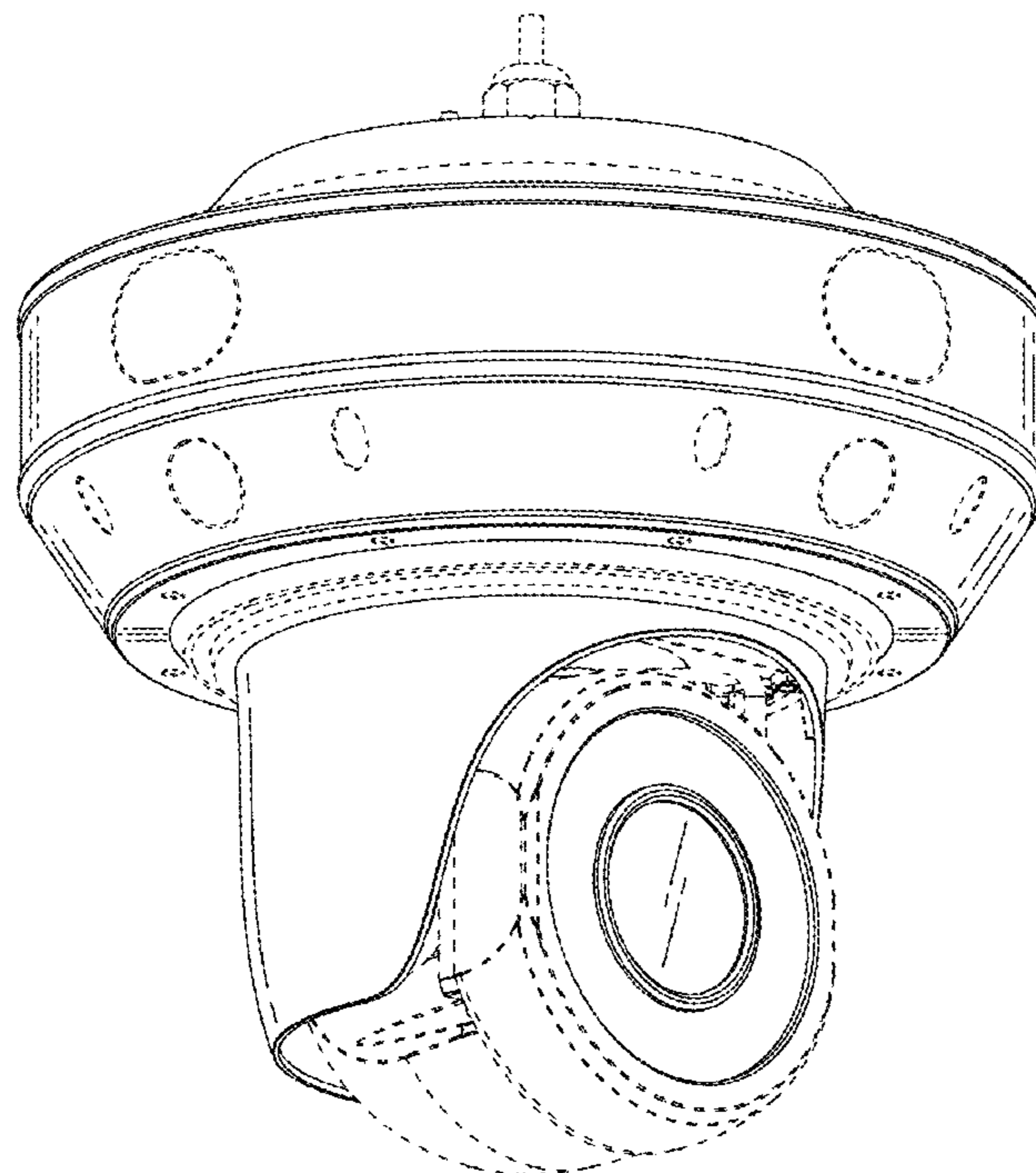
The ornamental design for a monitoring camera, as shown and described.

**DESCRIPTION**

FIG. 1 is a perspective view of a monitoring camera showing our new design;  
FIG. 2 is a front view thereof;  
FIG. 3 is a rear view thereof;  
FIG. 4 is a left side view thereof;  
FIG. 5 is a right side view thereof;  
FIG. 6 is a top view thereof; and,  
FIG. 7 is a bottom view thereof.  
The broken lines show portions of the monitoring camera that form no part of the claimed design.

(56) **References Cited**  
U.S. PATENT DOCUMENTS  
6,503,000 B1 \* 1/2003 Kim ..... G03B 5/06  
348/143  
D502,196 S \* 2/2005 Miyazaki ..... D16/202

**1 Claim, 7 Drawing Sheets**



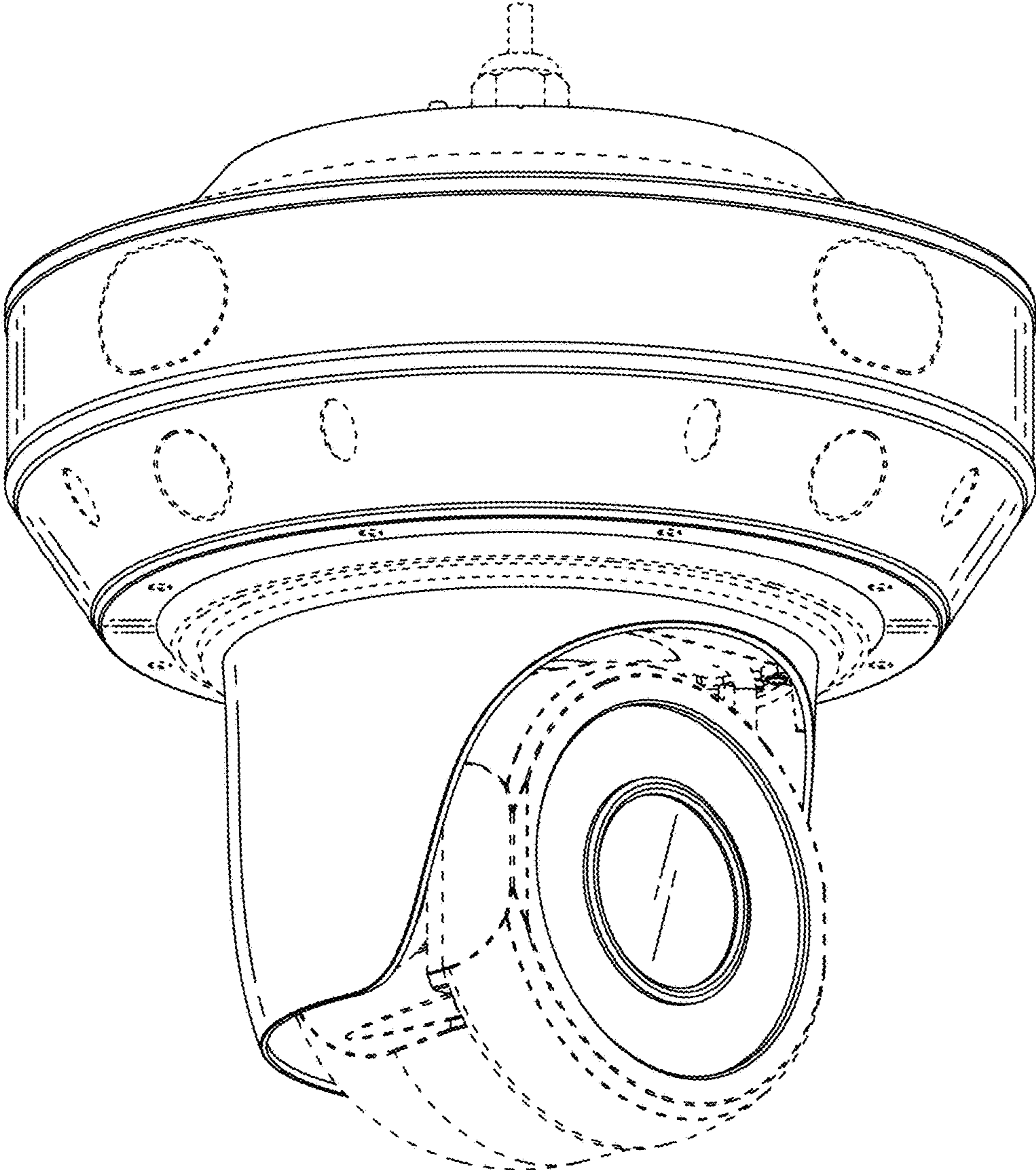


FIG. 1

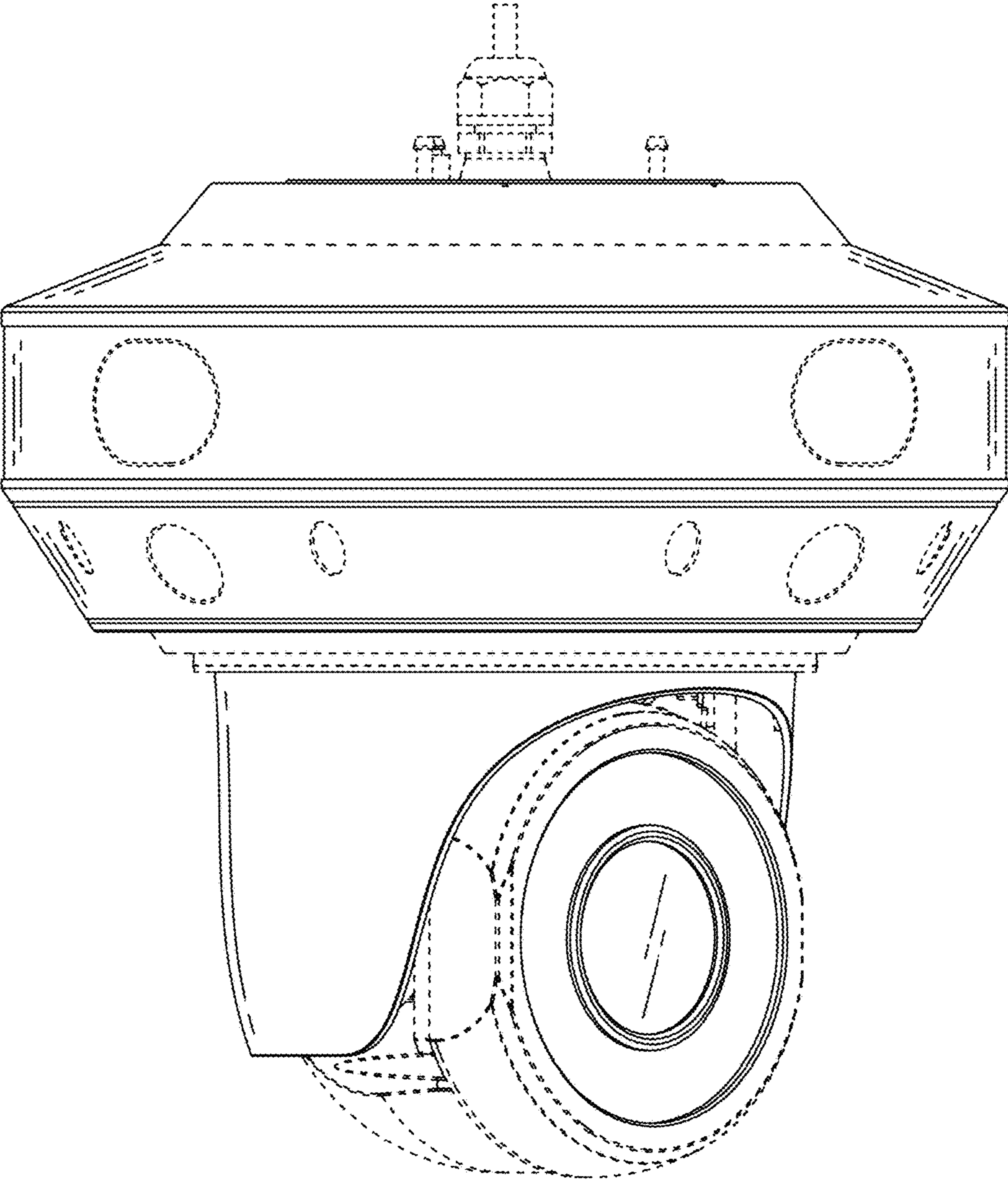


FIG. 2

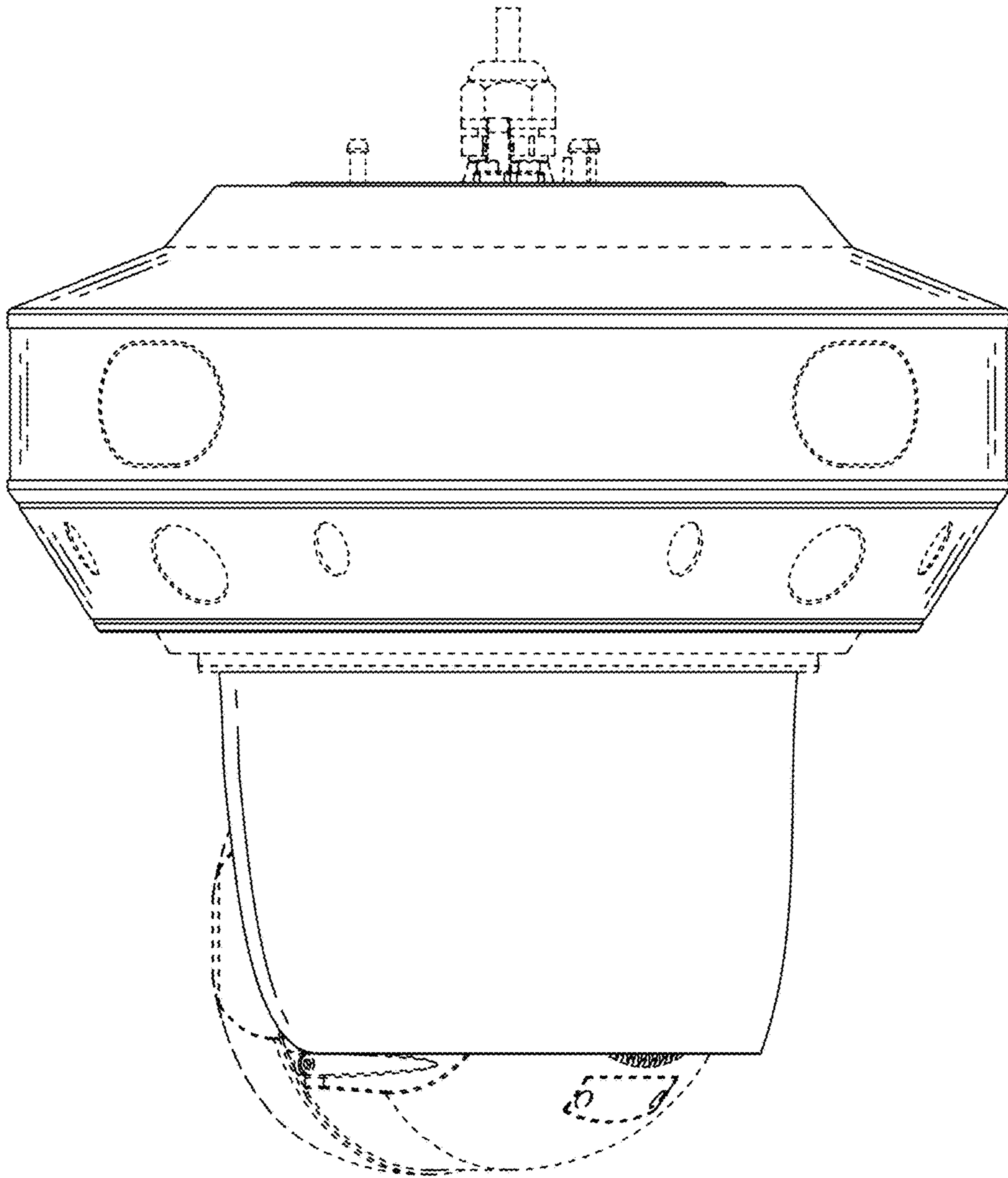


FIG. 3



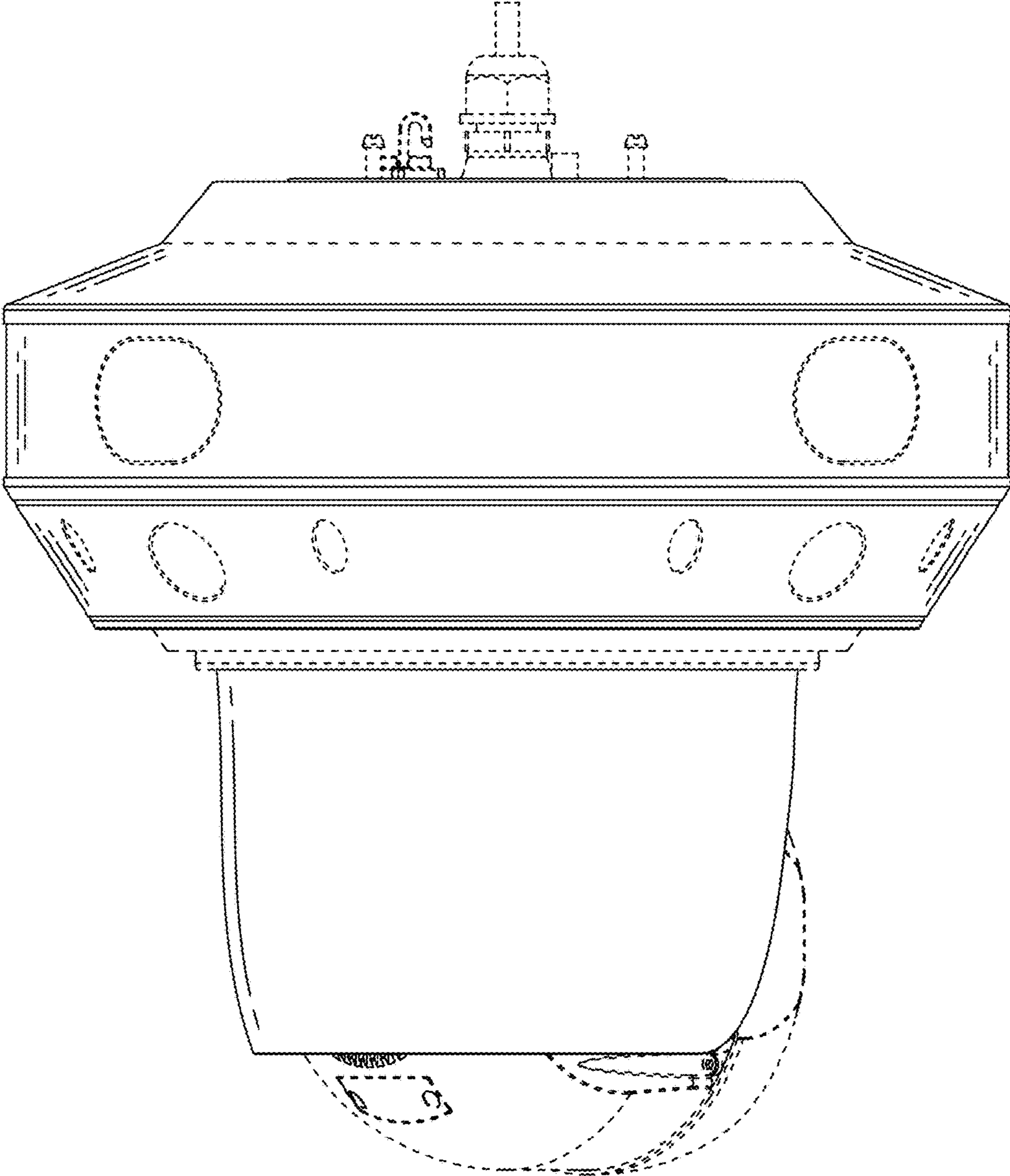


FIG. 4

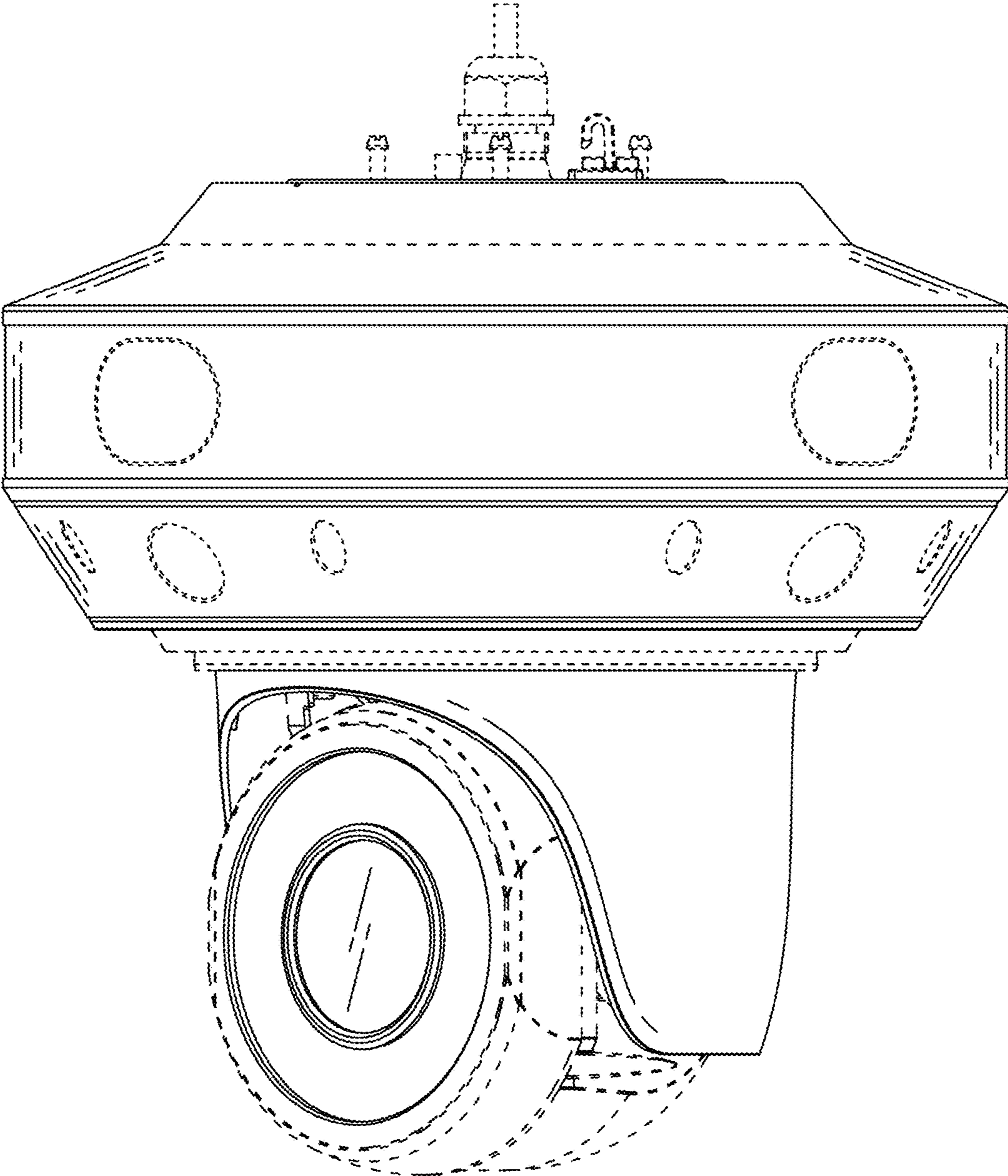


FIG. 5

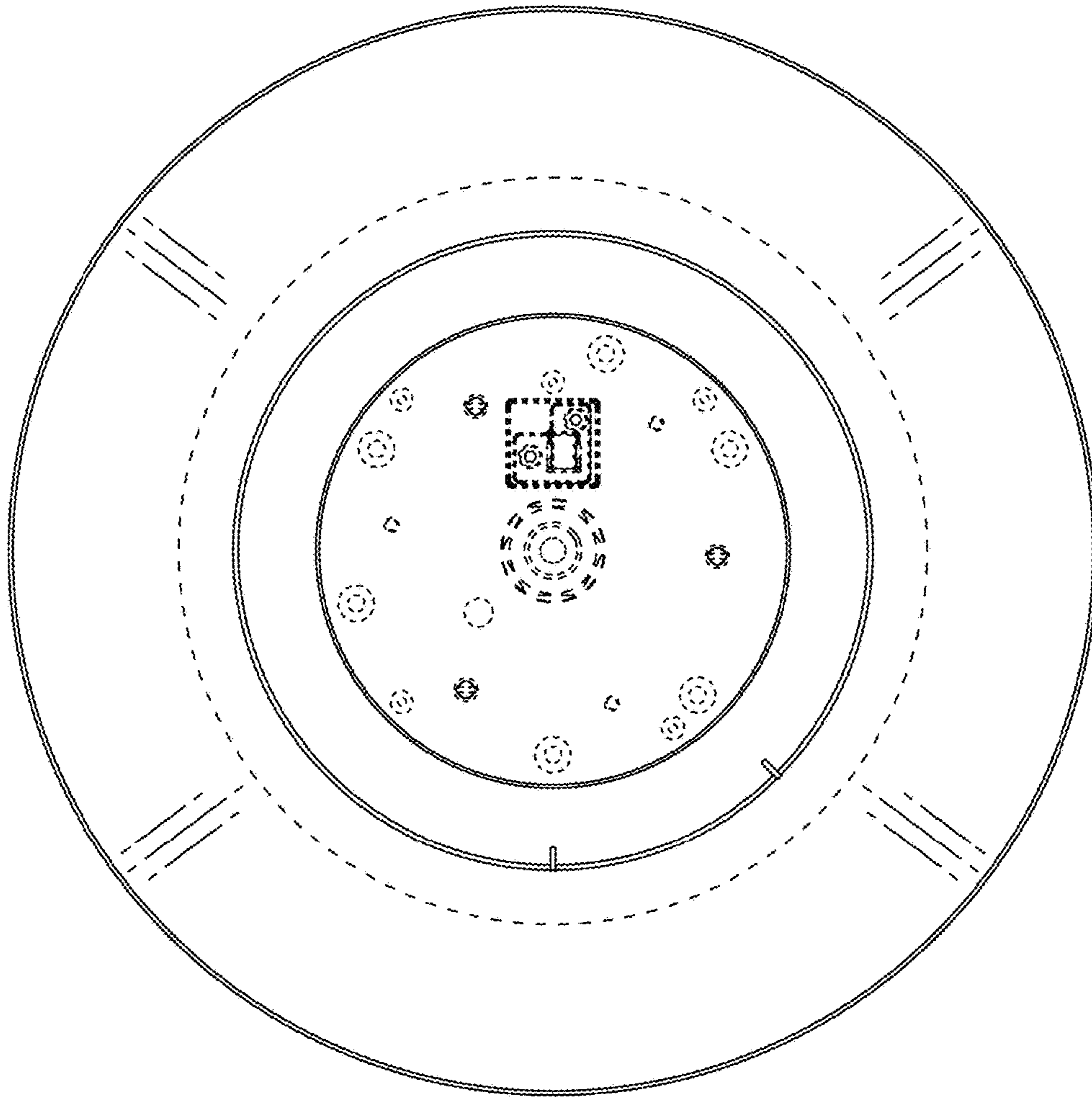


FIG. 6

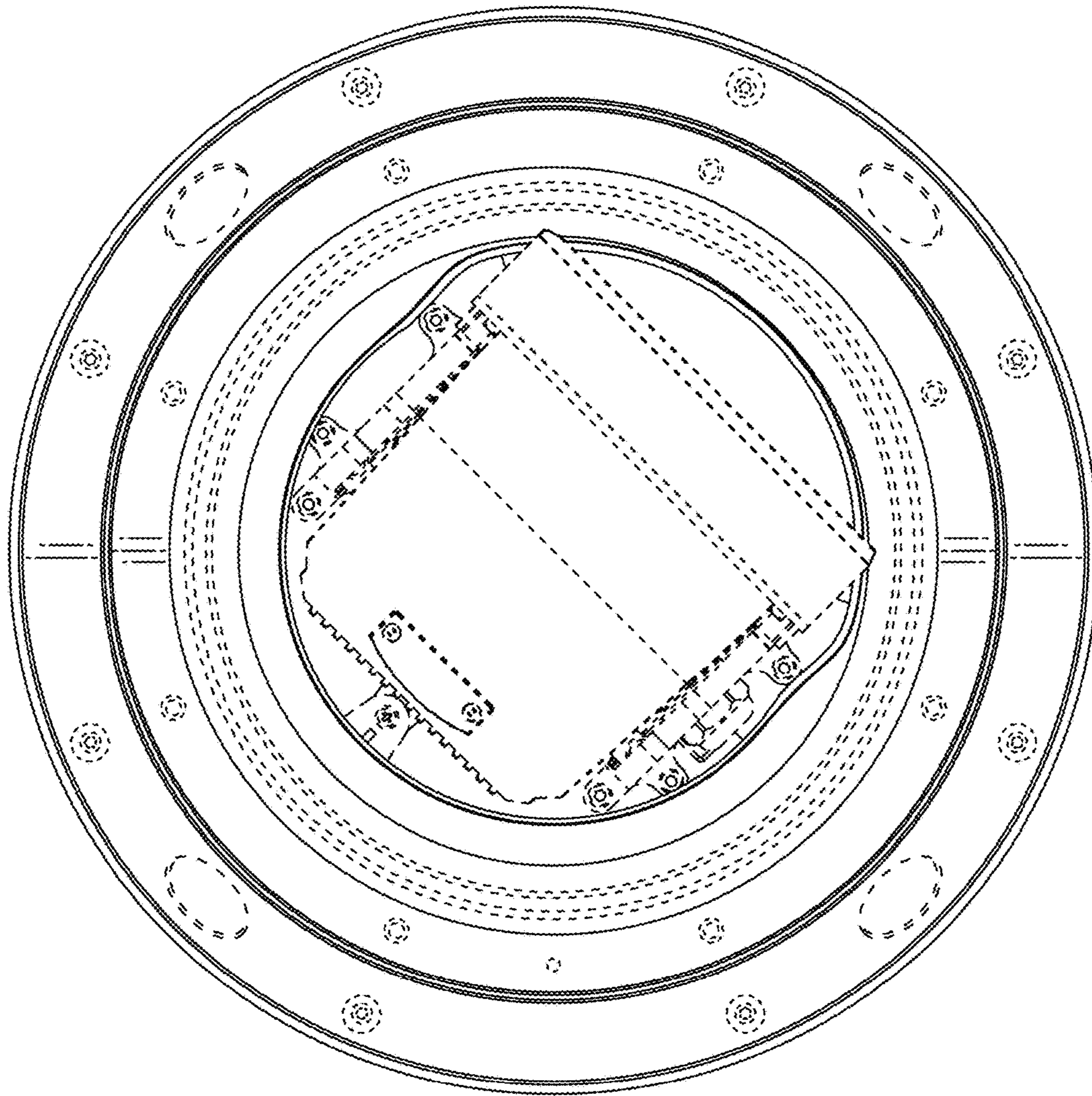


FIG. 7