



US00D819107S

(12) **United States Design Patent** (10) **Patent No.:** **US D819,107 S**
Lu (45) **Date of Patent:** **** May 29, 2018**

(54) **DASHBOARD CAMERA**
(71) Applicant: **4Sight, Inc.**, Ontario, CA (US)
(72) Inventor: **Jacky Lu**, Ontario, CA (US)
(73) Assignee: **4Sight, Inc.**, Ontario, CA (US)
(**) Term: **15 Years**
(21) Appl. No.: **29/569,858**

(22) Filed: **Jun. 30, 2016**
(51) **LOC (11) Cl.** **16-01**
(52) **U.S. Cl.**
USPC **D16/203**
(58) **Field of Classification Search**
USPC D12/114, 123, 124, 127; D16/200–220,
D16/134, 136
CPC ... H04N 5/77; B60R 11/04; B60R 2011/0003;
B60R 2011/0033; G07C 5/0891
See application file for complete search history.

(56) **References Cited**

U.S. PATENT DOCUMENTS

D416,272 S *	11/1999	Adachi	D16/203
D434,981 S *	12/2000	Shapiro	D16/208
D450,738 S *	11/2001	Rak	D16/203
D465,504 S *	11/2002	Van Klinken	D16/203
D484,161 S *	12/2003	Mendoza	D16/208
D532,028 S *	11/2006	Sakai	D16/202
D546,862 S *	7/2007	Tainaka	D16/202
D547,349 S *	7/2007	Sakaguchi	D16/202
D550,266 S *	9/2007	Lau	D16/202
D556,806 S *	12/2007	Horikiri	D16/202

D559,293 S *	1/2008	Katayama	D16/202
D566,148 S *	4/2008	Akita	D16/202
D575,318 S *	8/2008	Dean	D16/203
D618,265 S *	6/2010	Wozniak	D16/202
D624,106 S *	9/2010	Cho	D16/203
D632,719 S *	2/2011	Tsai	D16/202
D651,230 S *	12/2011	Tan	D16/202
D665,439 S *	8/2012	Khamsepoor	D16/202
D671,156 S *	11/2012	Lin	D16/202
D683,781 S *	6/2013	Imai	D16/202
D707,741 S *	6/2014	Tysso	D16/202
D709,117 S *	7/2014	Gan	D16/202
2010/0265328 A1 *	10/2010	Chou	B60R 11/04 348/143

* cited by examiner

Primary Examiner — Susan E Krakower
Assistant Examiner — L. A. Grabenstetter

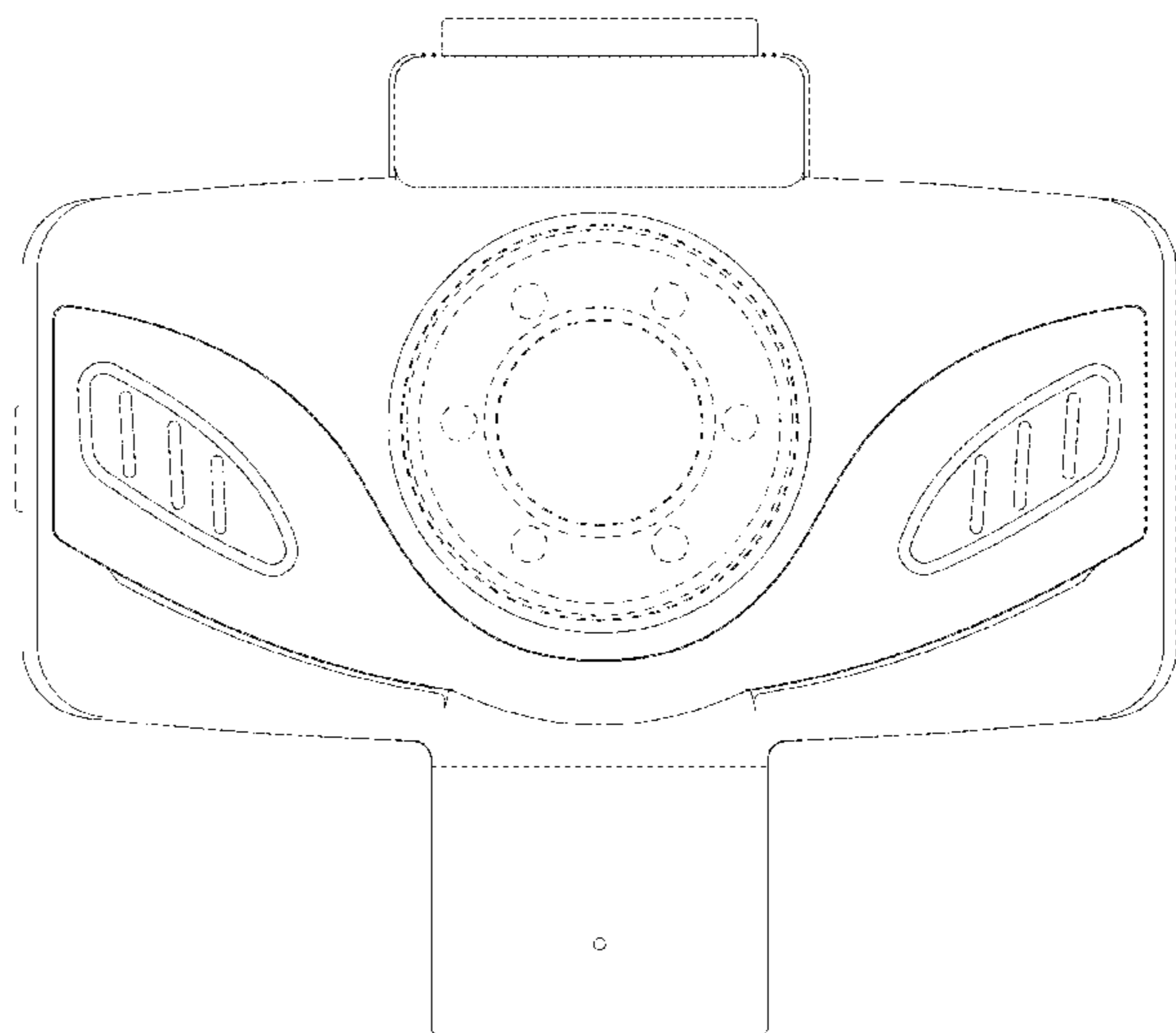
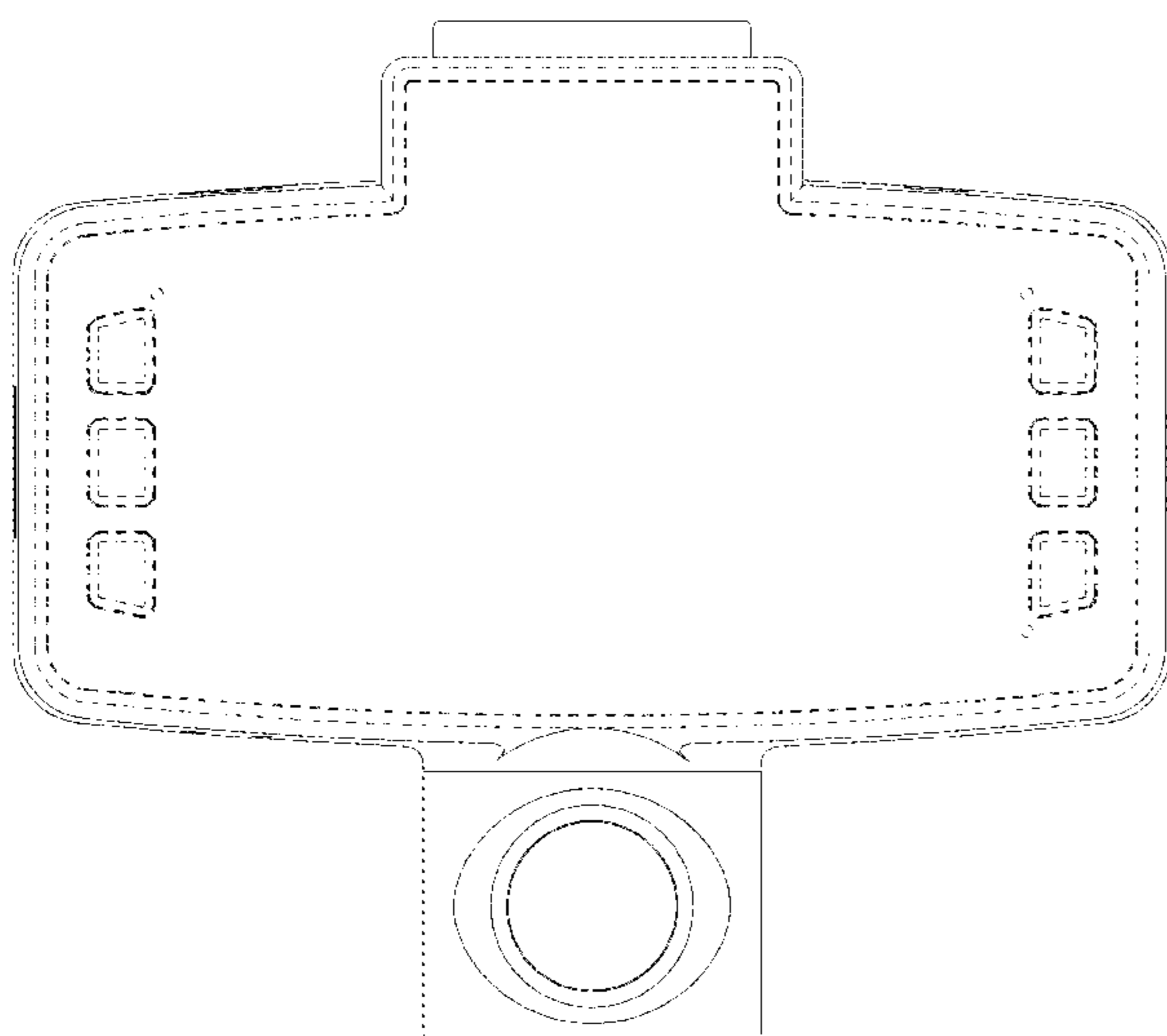
(57) **CLAIM**

The ornamental design for a dashboard camera, as shown and described.

DESCRIPTION

FIG. 1 is a front view of a dashboard camera, showing my new design.
FIG. 2 is a rear view thereof.
FIG. 3 is a left view thereof.
FIG. 4 is a right view thereof.
FIG. 5 is a top view thereof; and,
FIG. 6 is a bottom view thereof.
The broken lines represent unclaimed portions of the dashboard camera.

1 Claim, 6 Drawing Sheets



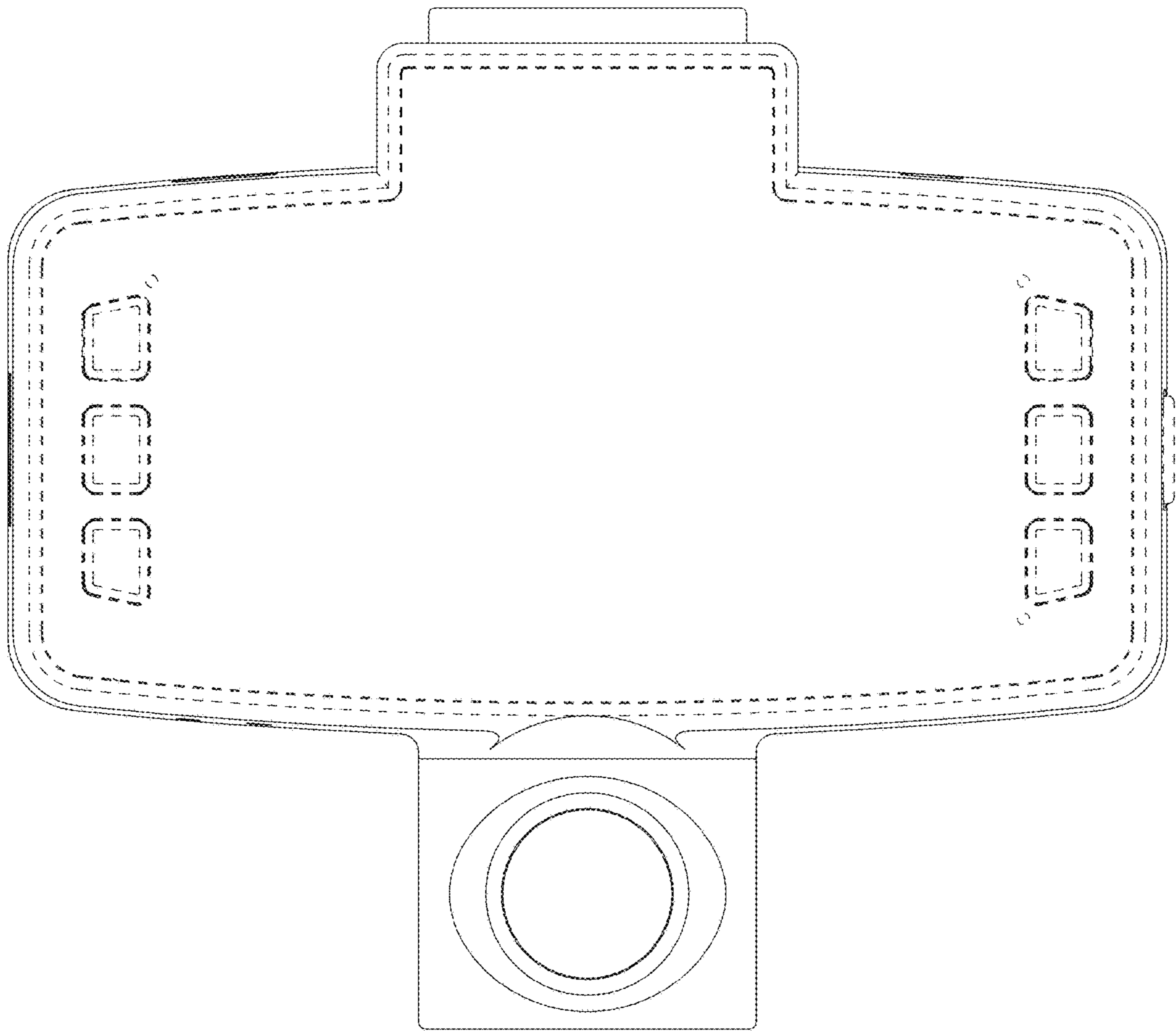


Fig. 1

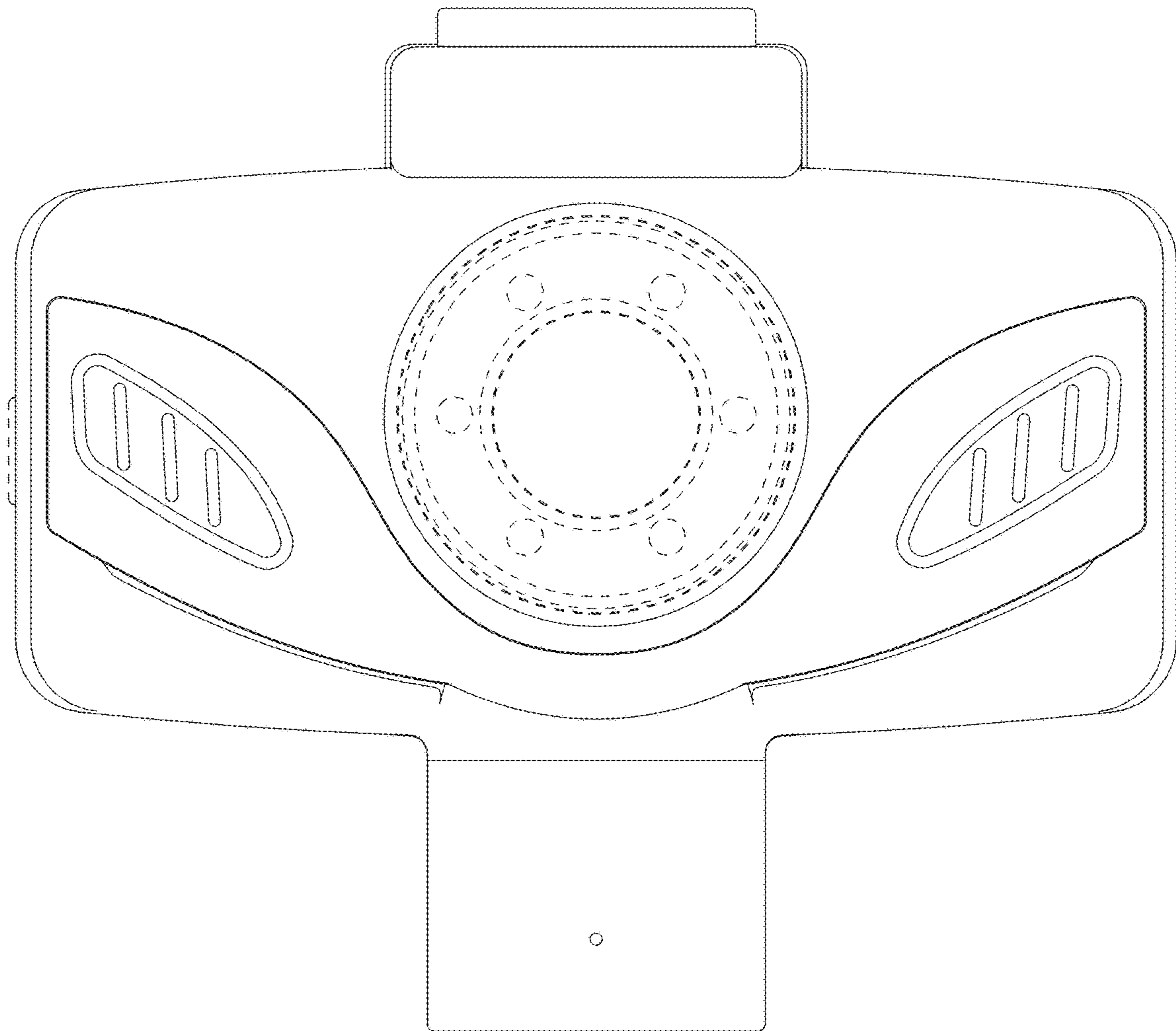


Fig. 2

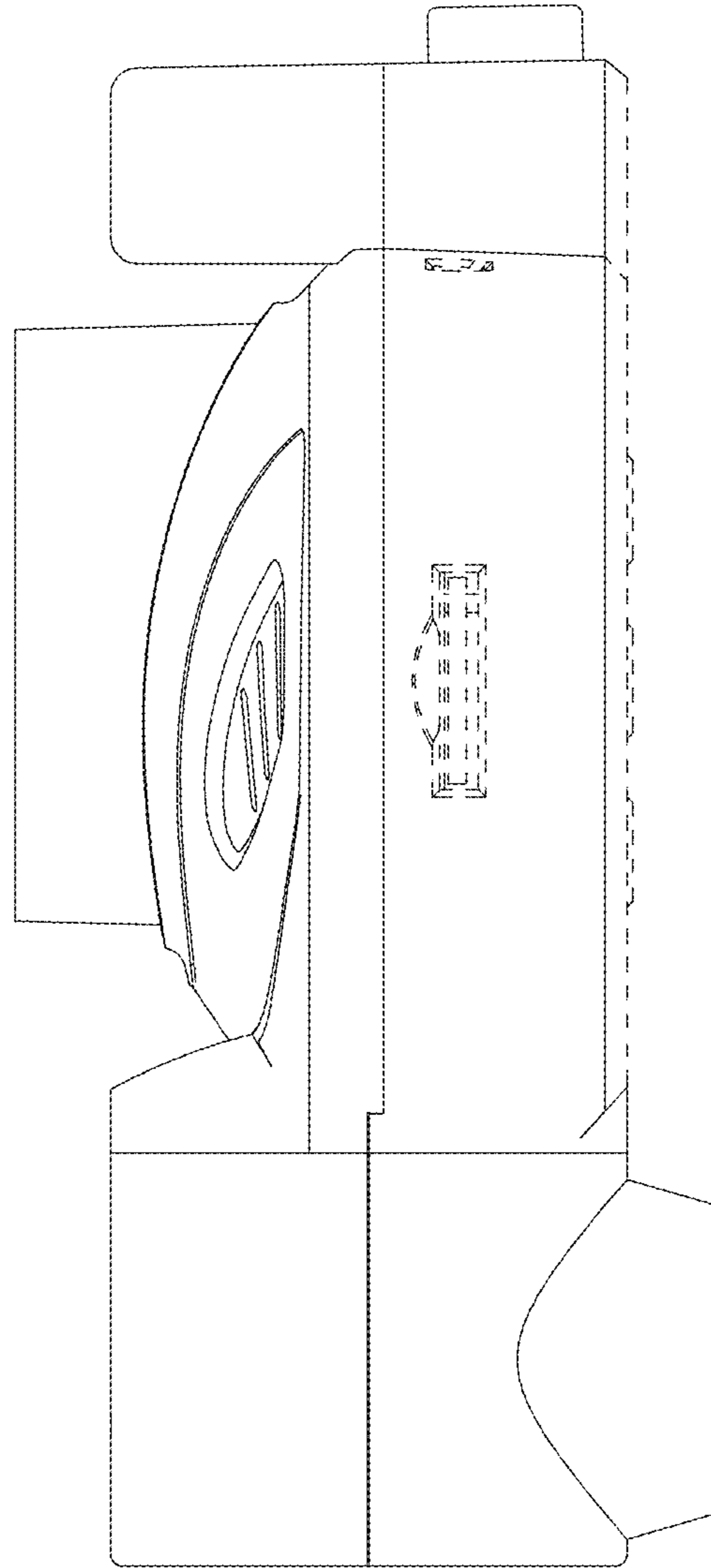


Fig. 3

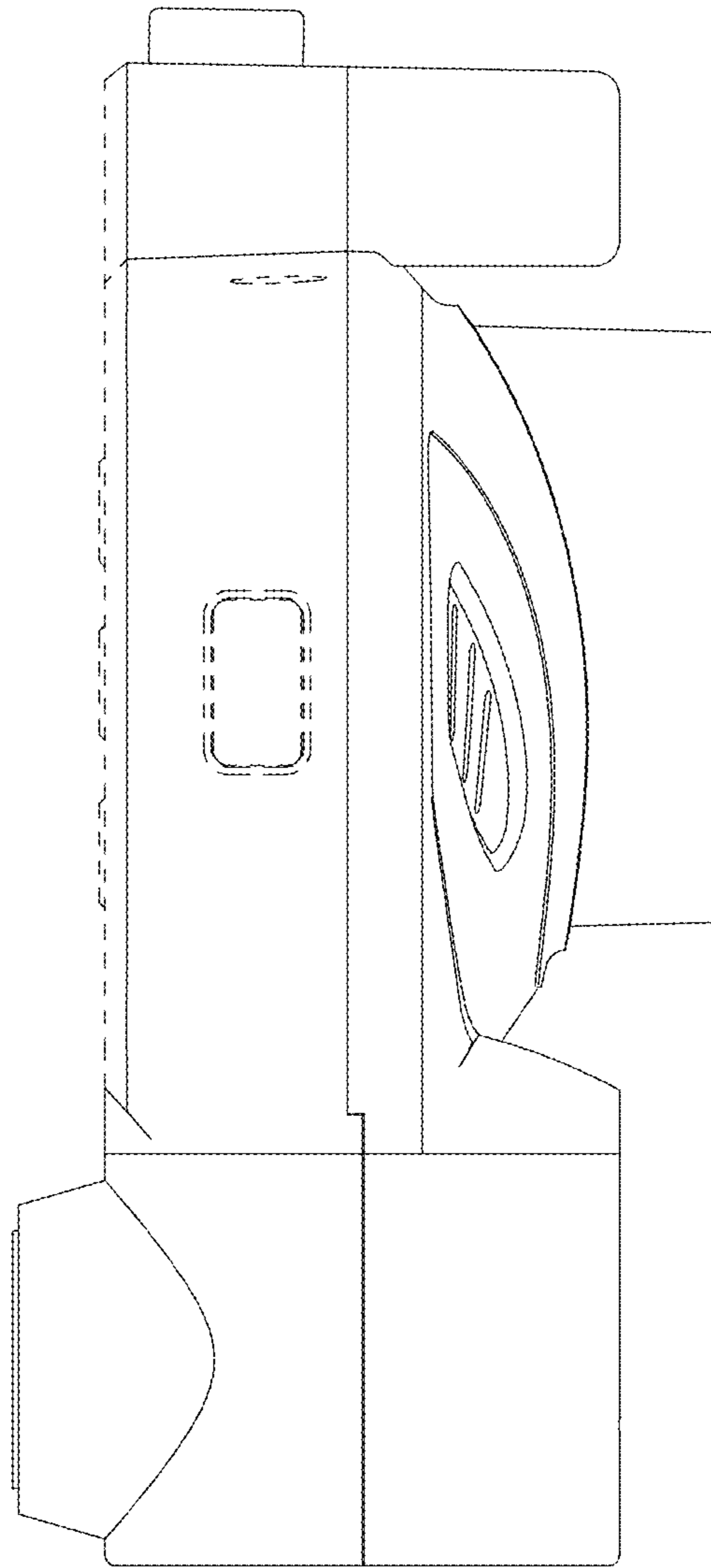


Fig. 4

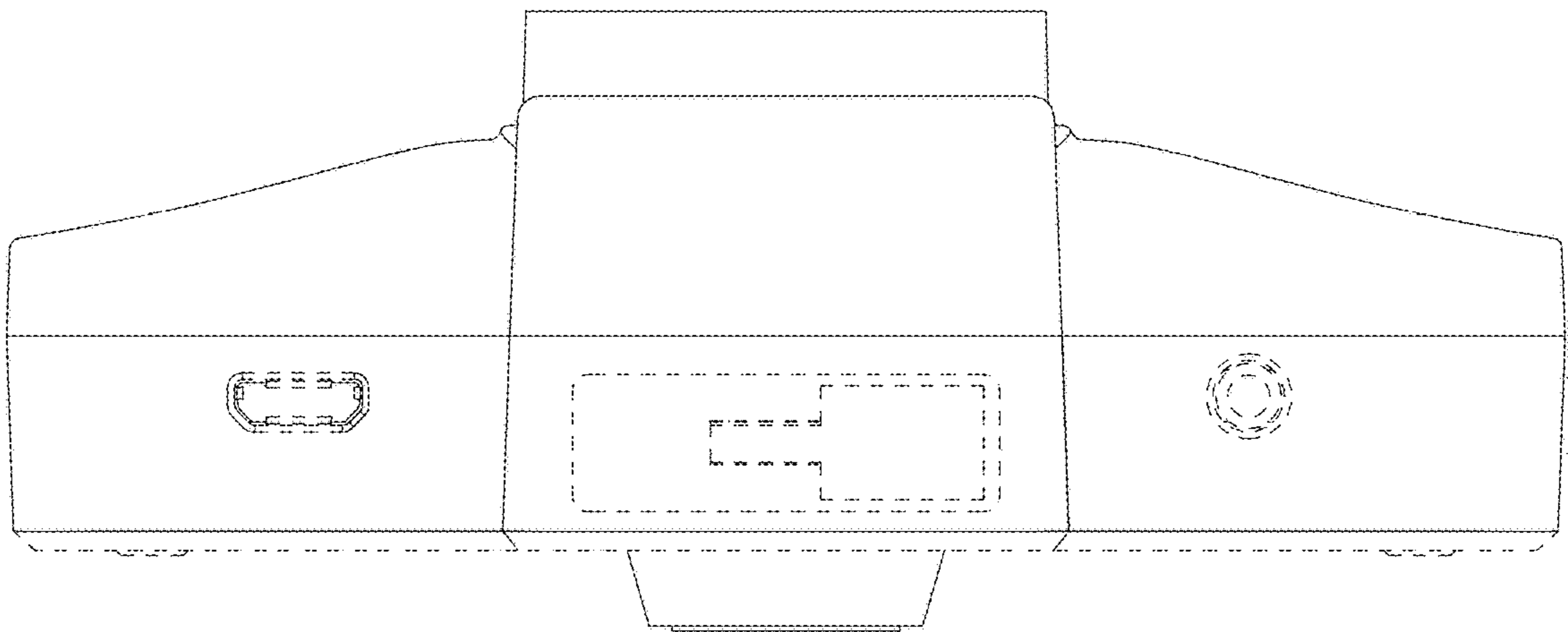


Fig. 5

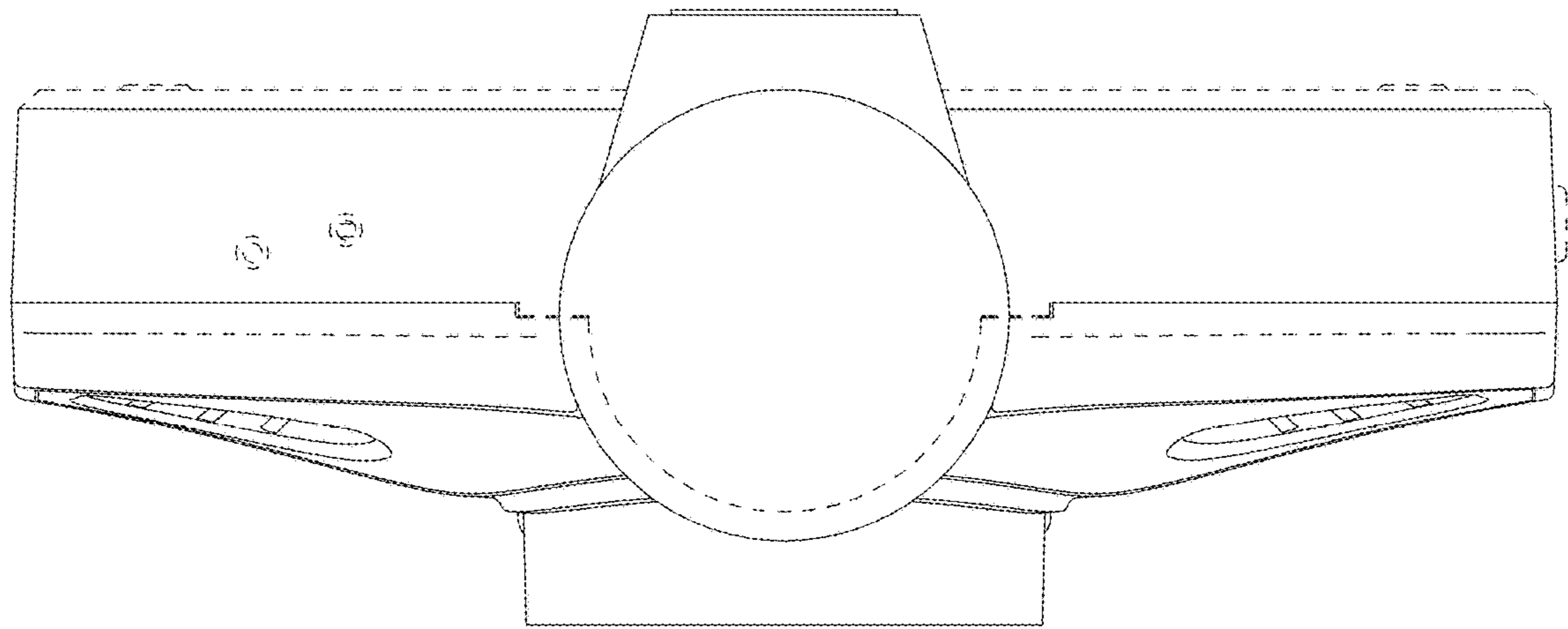


Fig. 6