



US00D819105S

(12) **United States Design Patent**  
**Kitade et al.**

(10) **Patent No.:** **US D819,105 S**

(45) **Date of Patent:** **\*\* May 29, 2018**

(54) **VIDEO CAMERA**

(71) Applicant: **Panasonic Intellectual Property Management Co., Ltd., Osaka (JP)**

(72) Inventors: **Katsuhiro Kitade, Tokyo (JP); Kunio Yamada, Tokyo (JP); Yoshihito Morishita, Tokyo (JP)**

(73) Assignee: **Panasonic Intellectual Property Management Co., Ltd., Osaka (JP)**

(\*\*) Term: **15 Years**

(21) Appl. No.: **29/585,547**

(22) Filed: **Nov. 25, 2016**

(51) **LOC (11) Cl.** ..... **16-01**

(52) **U.S. Cl.**  
USPC ..... **D16/202; D16/207**

(58) **Field of Classification Search**  
USPC ..... D16/200, 202–205, 208, 214, 218, 219,  
D16/242; 348/14.01–14.06, 143, 148,  
348/151, 373–376; 396/419, 427, 535,  
396/539–541  
CPC ..... G03B 17/02; G03B 19/04; G03B 17/56;  
G03B 17/04; G03B 15/03; H04N 5/2251;  
H04N 5/2252; H04N 5/2253; H04N  
5/2254; H04N 2007/145; H04N 7/141;  
H04N 7/142; H04N 7/147; H04N 7/148;  
H04N 7/15; H04N 7/152

See application file for complete search history.

(56) **References Cited**

**U.S. PATENT DOCUMENTS**

D418,152 S \* 12/1999 McBride ..... D16/204  
D501,494 S \* 2/2005 Ogura ..... D16/202

D518,080 S \* 3/2006 Uehara ..... D16/202  
D696,329 S \* 12/2013 Horiki ..... D16/203  
D701,893 S \* 4/2014 Bart ..... D16/203  
D709,118 S \* 7/2014 Yu ..... D16/203  
D727,388 S \* 4/2015 Huang ..... D16/214  
D728,655 S \* 5/2015 Daniel ..... D16/203  
D747,383 S \* 1/2016 Li ..... D16/203  
D776,740 S \* 1/2017 Okawa ..... D16/203  
D778,973 S \* 2/2017 Lee ..... D16/202  
2009/0201413 A1 \* 8/2009 Fishman ..... H04N 5/2252  
348/373

\* cited by examiner

*Primary Examiner* — Philip S Hyder

*Assistant Examiner* — Ramzi Almatrahi

(74) *Attorney, Agent, or Firm* — Panasonic IP Management; Kerry S. Culpepper

(57) **CLAIM**

We claim the ornamental design for a video camera, as shown and described.

**DESCRIPTION**

FIG. 1 is a front perspective view of a video camera of the present invention;  
FIG. 2 is a rear perspective view thereof;  
FIG. 3 is a front view thereof;  
FIG. 4 is a rear view thereof;  
FIG. 5 is a first side view thereof;  
FIG. 6 is a second side view thereof;  
FIG. 7 is a top view thereof; and,  
FIG. 8 is a bottom view thereof.

The broken lines depict portions of the video camera in which the design is embodied that form no part of the claimed design.

**1 Claim, 8 Drawing Sheets**

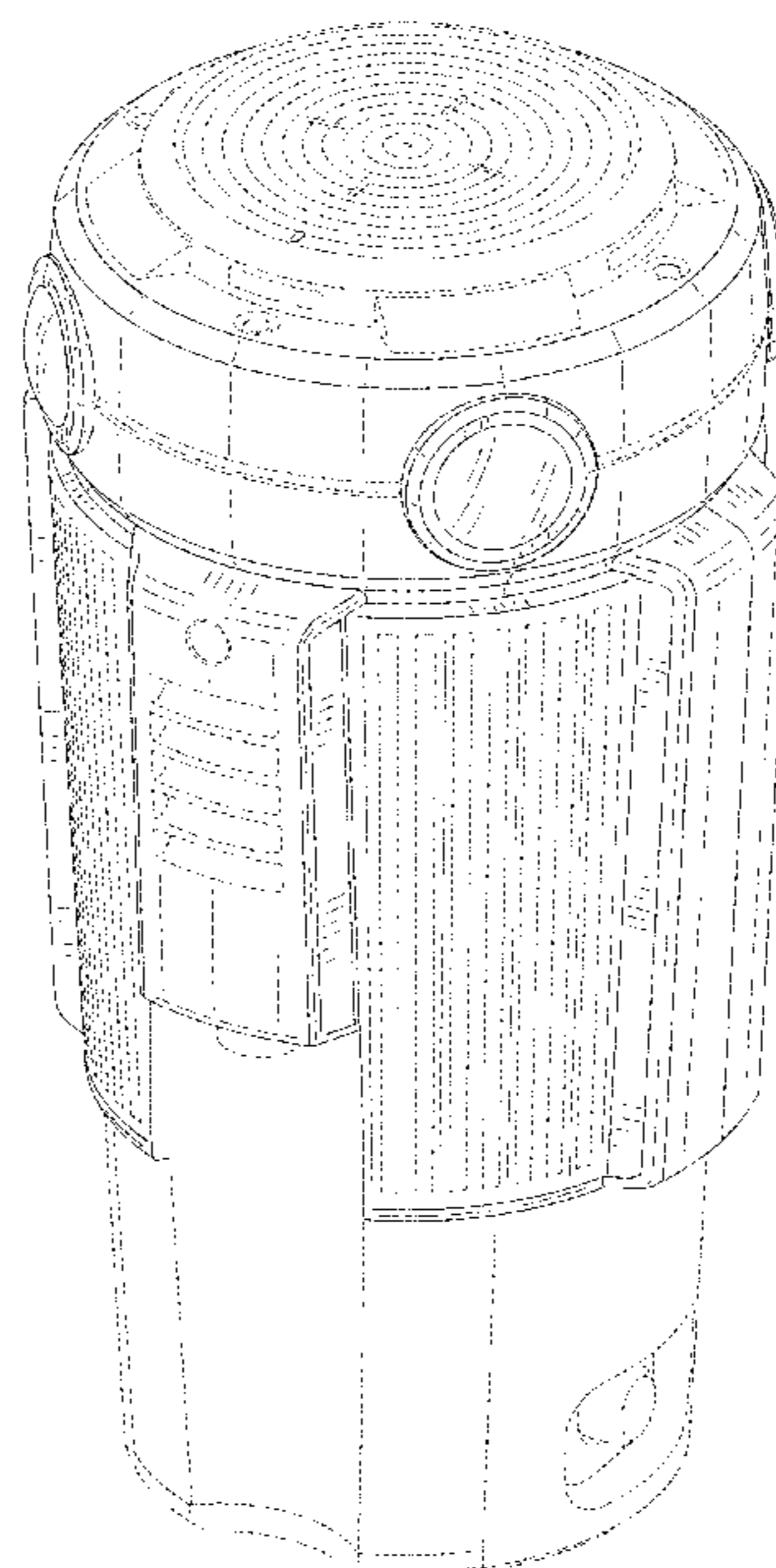
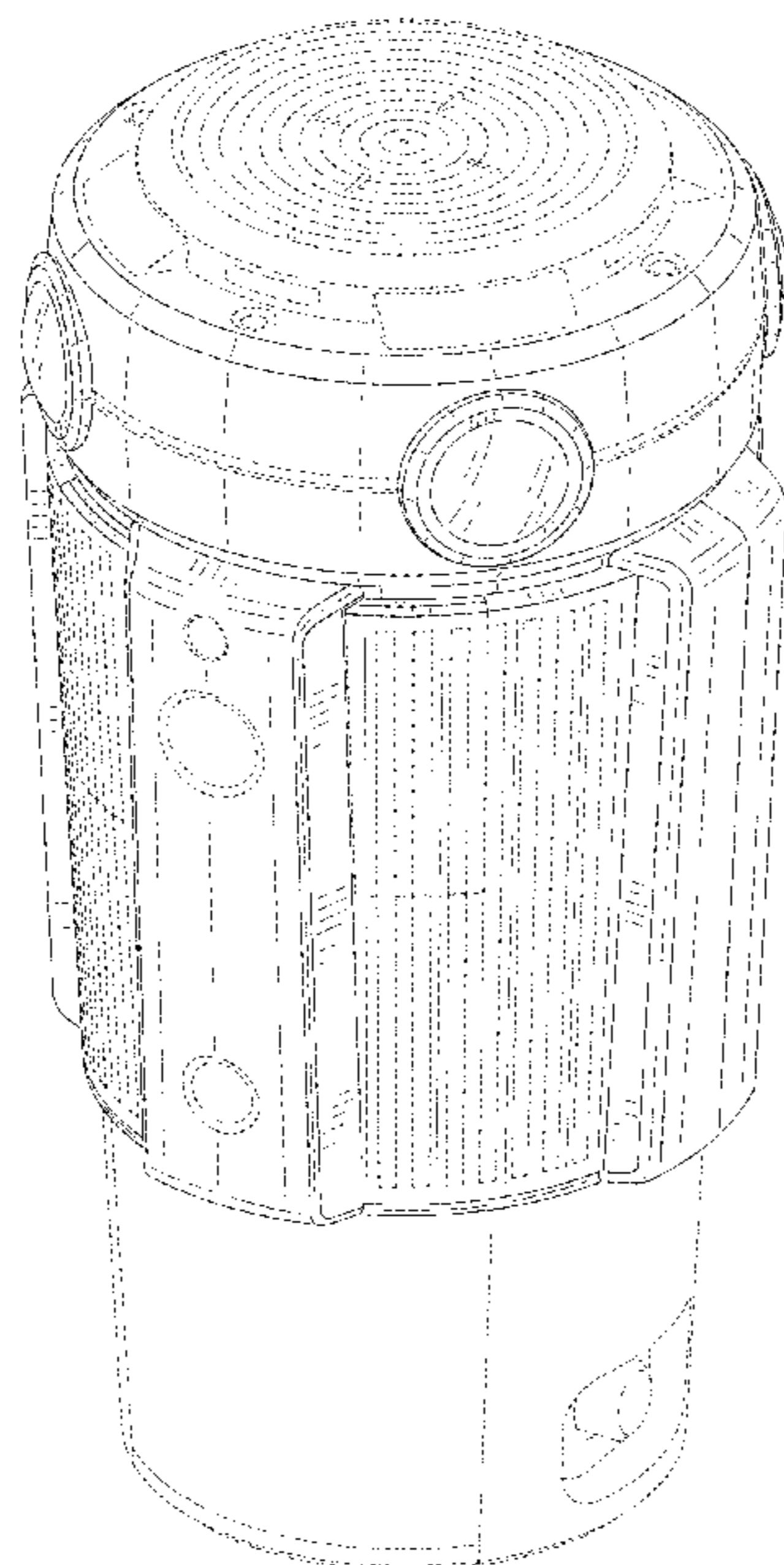


FIG. 1

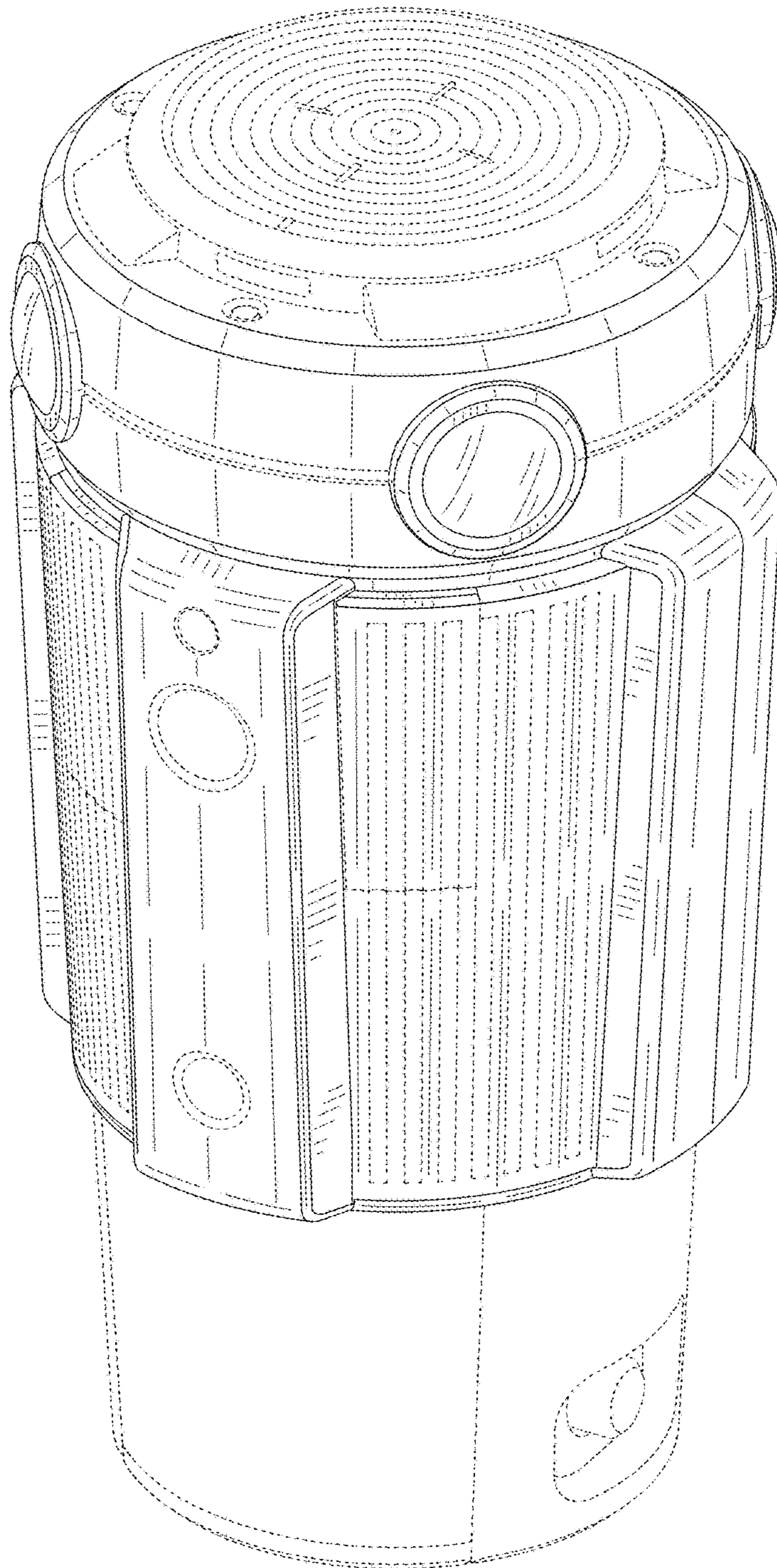


FIG. 2

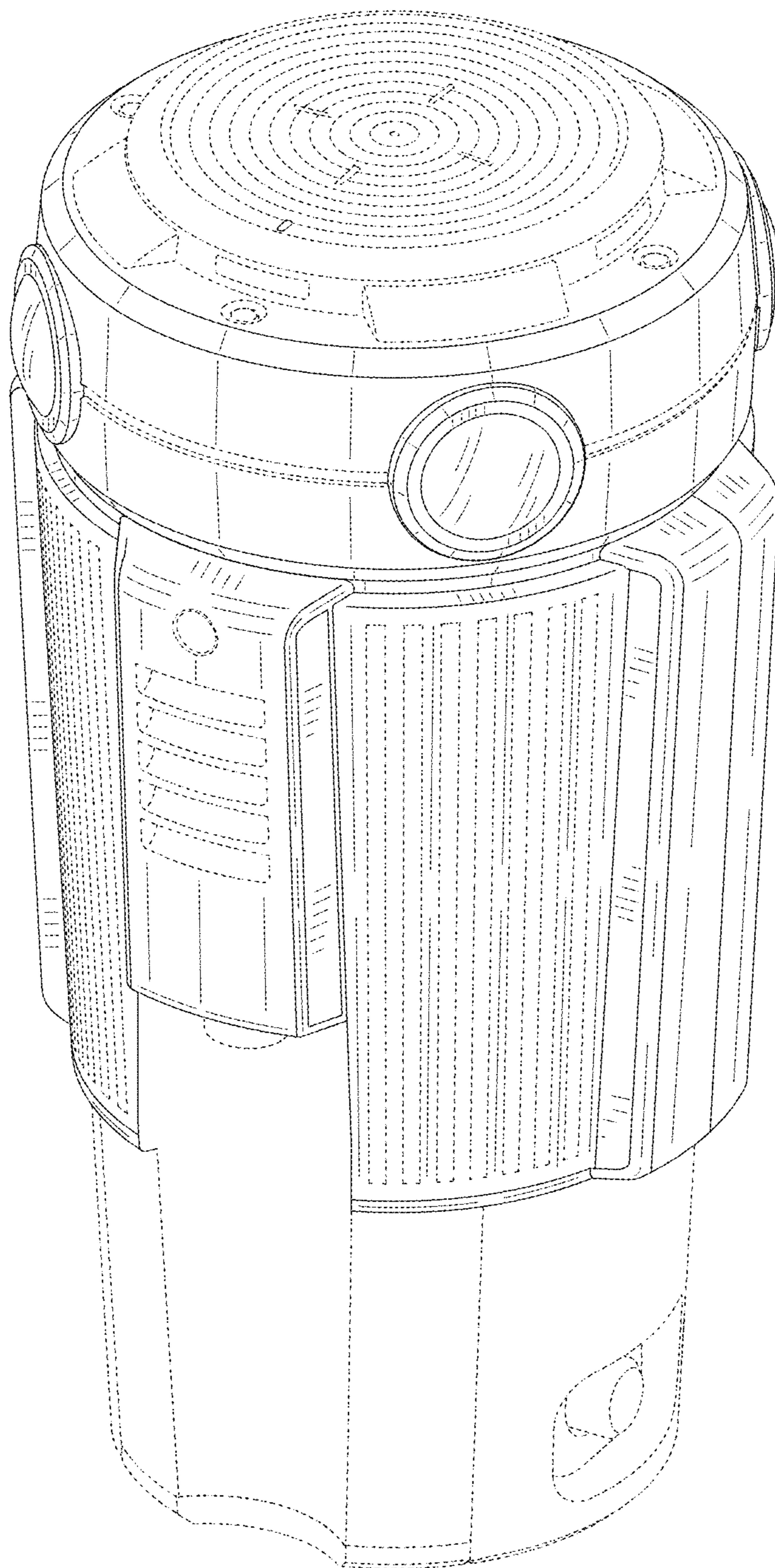


FIG. 3

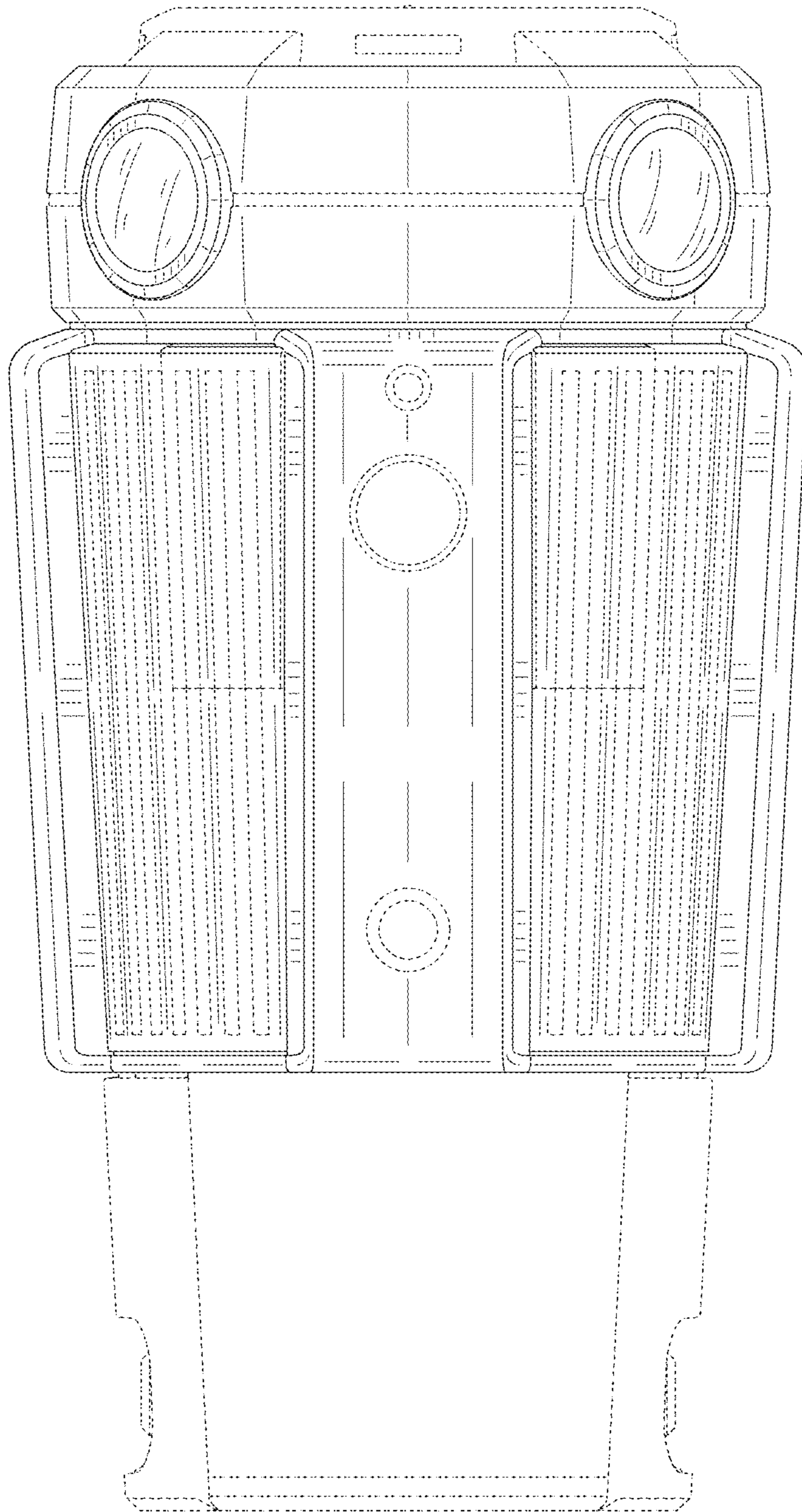


FIG. 4

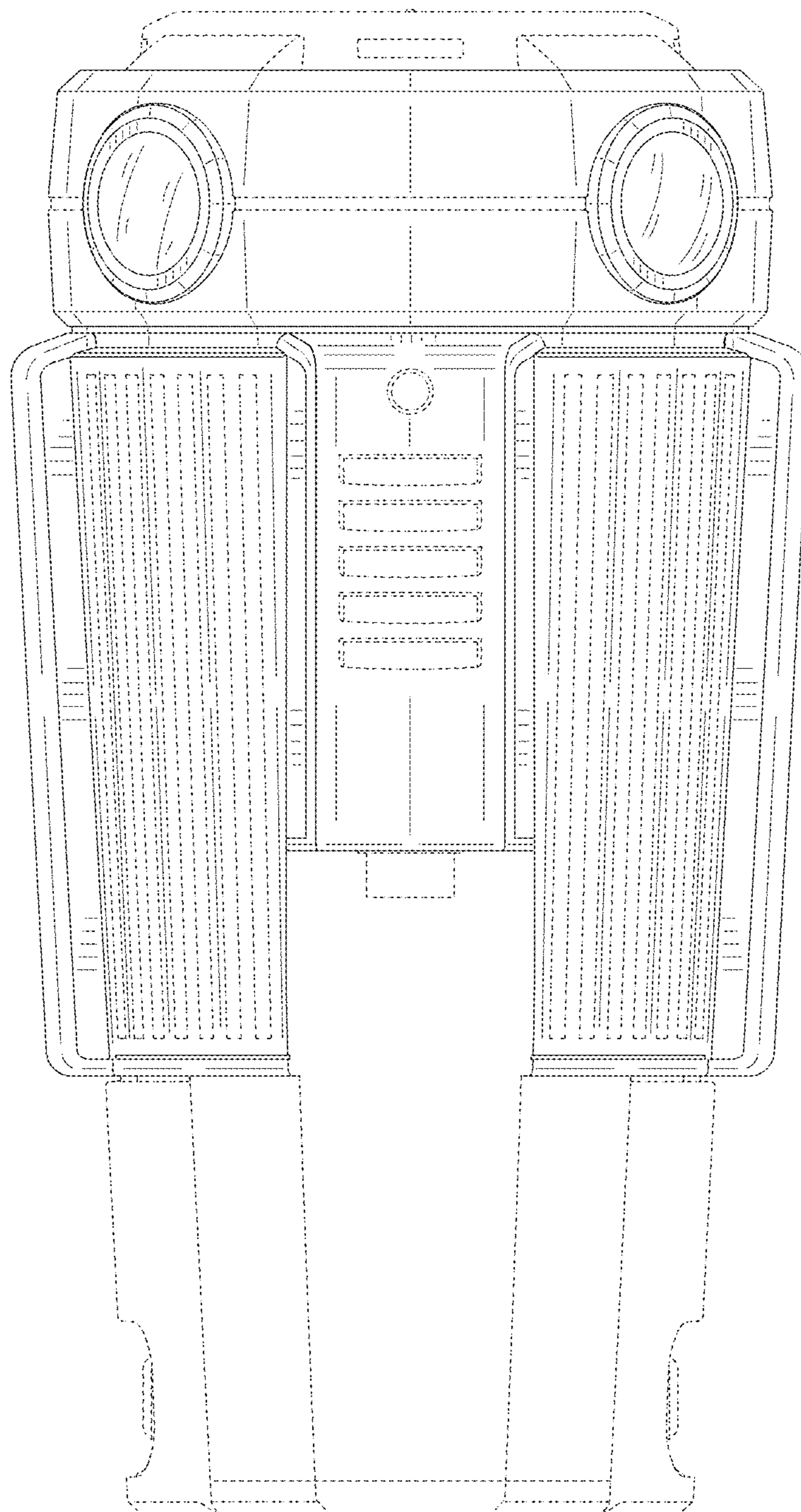


FIG. 5

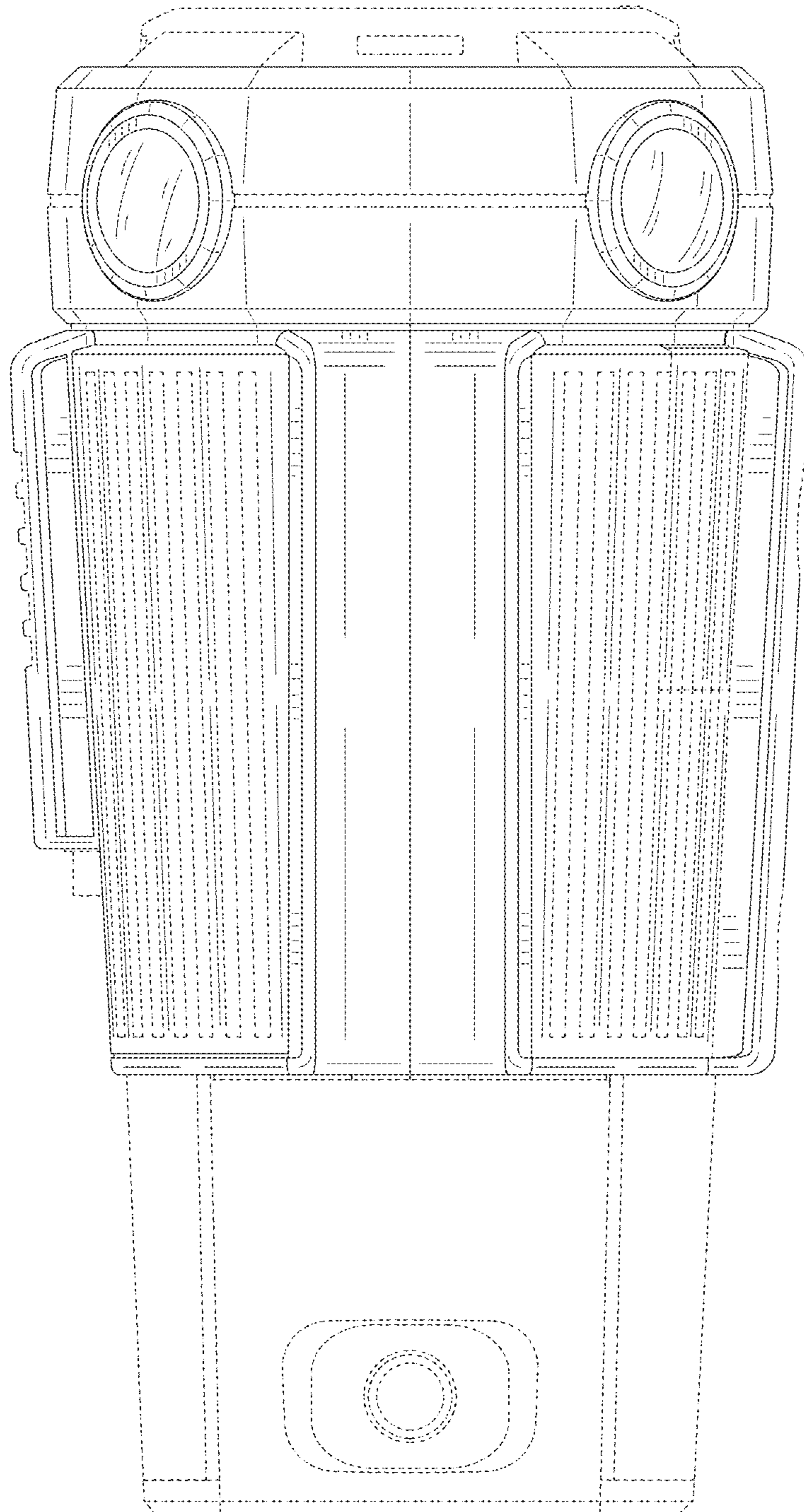


FIG. 6

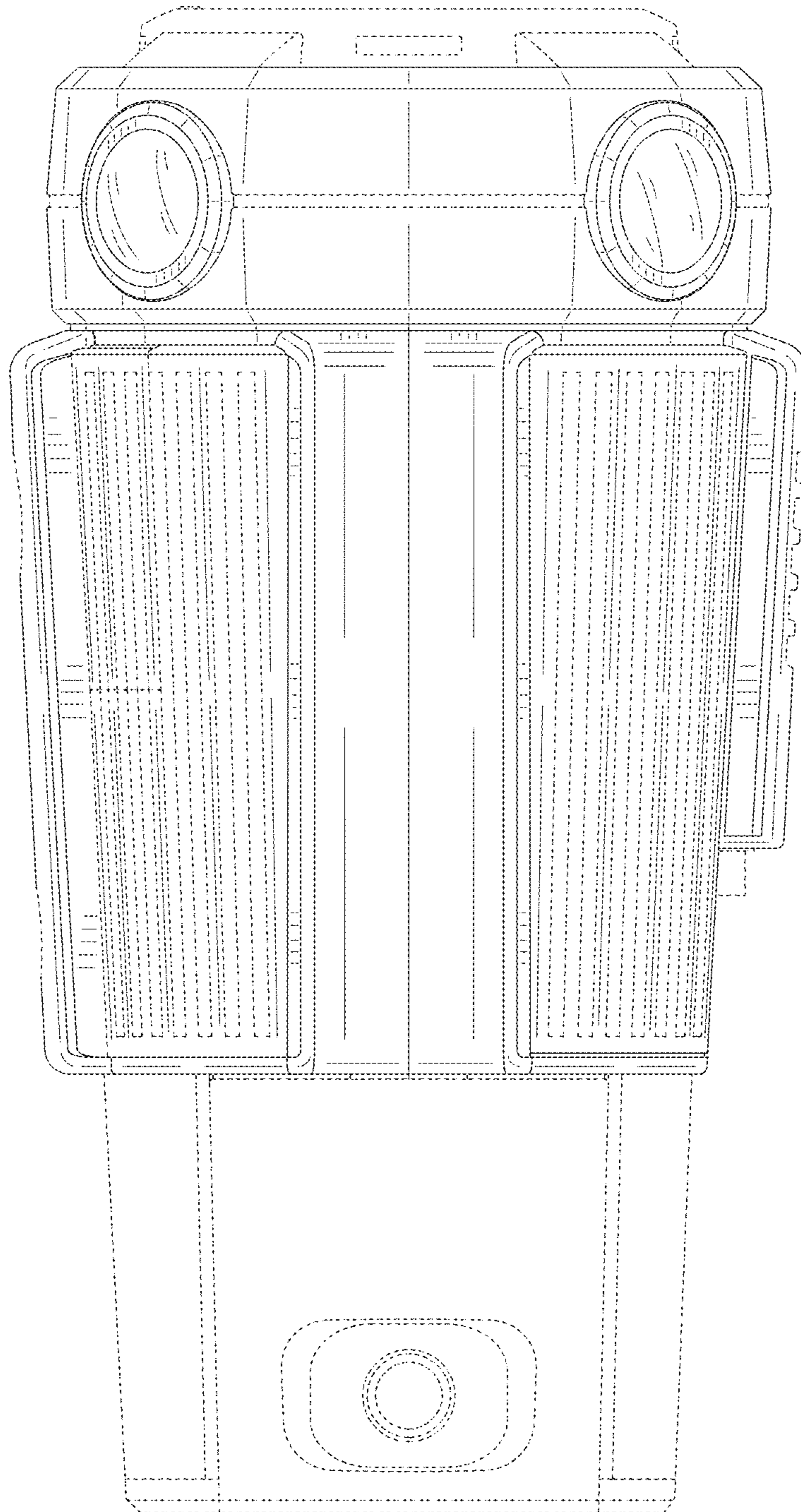


FIG. 7

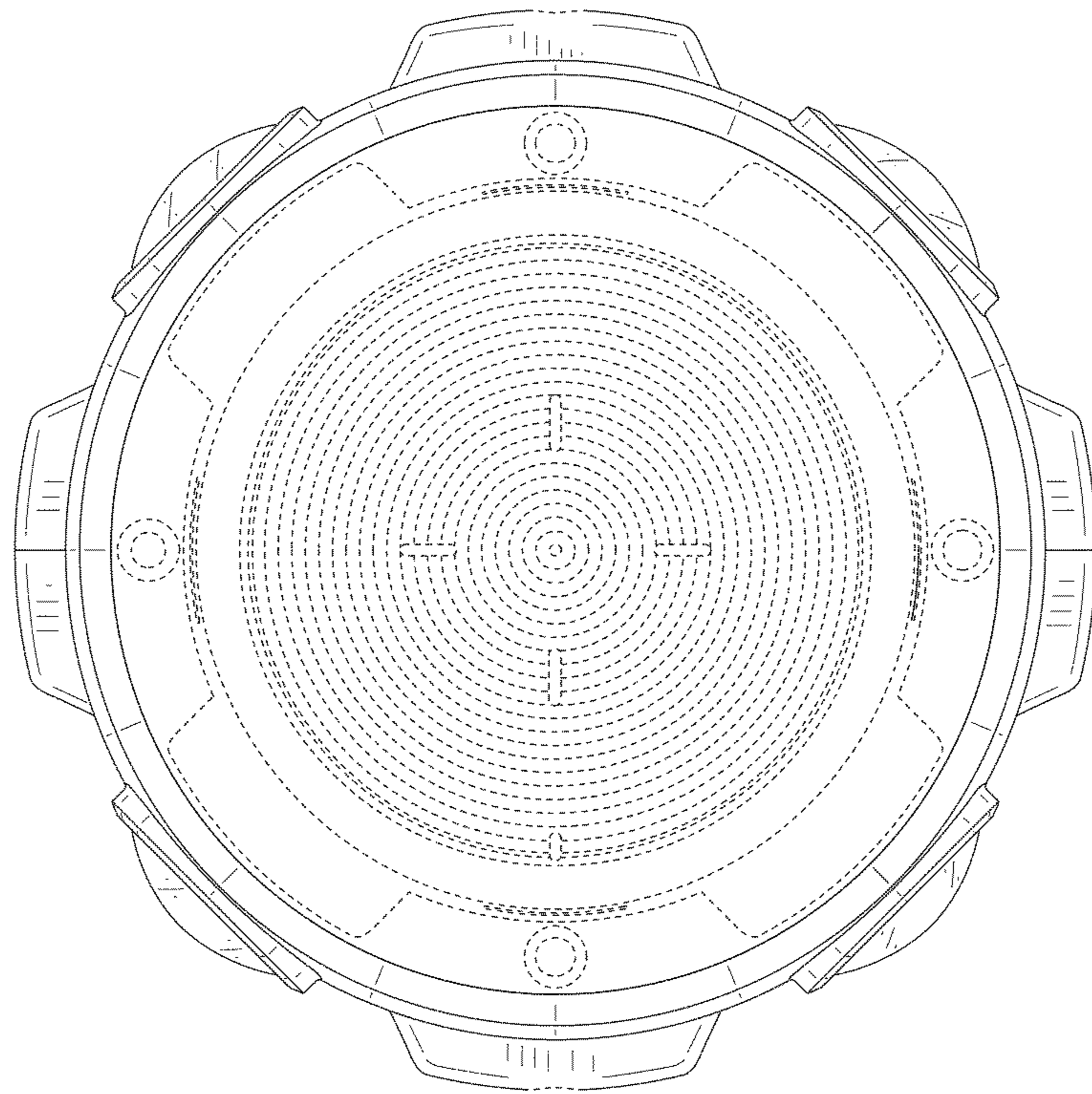




FIG. 8

