



US00D819104S

(12) **United States Design Patent** (10) **Patent No.:** **US D819,104 S**
Stohr et al. (45) **Date of Patent:** **** May 29, 2018**

(54) **MICROSCOPE**

(71) Applicant: **Carl Zeiss Microcopy GmbH**, Jena (DE)
 (72) Inventors: **Martin Stohr**, Jena (DE); **Michael Winterot**, Jena (DE); **Ilka Schlesiger**, Jena (DE); **Zhongyu Li**, Shanghai (CN); **Zhong Xiang Liang**, Guangxi Province (CN); **Hai Li**, Shanghai (CN)
 (73) Assignee: **Carl Zeiss Microscopy GmbH**, Jena (DE)

D354,299 S * 1/1995 Hofmann-Igl D16/131
 D356,804 S * 3/1995 Hofmann-Igl D16/131
 D389,163 S * 1/1998 Hofmann-Igl D16/131
 5,841,576 A * 11/1998 Aikawa G02B 21/0004
 359/368
 6,636,354 B1 * 10/2003 D'Hooge G02B 21/367
 359/368
 7,088,505 B2 * 8/2006 Harrison G02B 21/242
 359/368
 7,233,435 B2 * 6/2007 Gilbert G02B 21/241
 359/379
 7,483,207 B2 * 1/2009 Storz G01J 3/02
 359/368

(Continued)

(**) Term: **14 Years**

(21) Appl. No.: **29/523,183**

(22) Filed: **Apr. 7, 2015**

(30) **Foreign Application Priority Data**

Oct. 9, 2014 (CN) 2014 3 0377889

(51) **LOC (11) Cl.** **16-06**

(52) **U.S. Cl.**
USPC **D16/131**

(58) **Field of Classification Search**
 USPC D16/130-136; D22/100, 108, 109, 110,
 D22/199; 33/297, 298, 227, 299;
 42/111, 112, 113, 122, 130, 134-145,
 42/124; 225/414; 356/29, 139, 2, 250,
 356/251, 252, 138; 89/41, 19, 161,
 89/200-204; 350/550; 250/467.1;
 359/428, 424

CPC F41G 3/08

See application file for complete search history.

(56) **References Cited**

U.S. PATENT DOCUMENTS

4,573,771 A * 3/1986 Hill F16H 25/14
 359/383
 D345,748 S * 4/1994 Holbl D16/131

OTHER PUBLICATIONS

Euromex | Oxion® brochure, Nov. 20, 2013-Nov. 23, 2013 trade fair in Diisseldorf, Germany (6 pgs.).

(Continued)

Primary Examiner — Susan Bennett Hattan
Assistant Examiner — Jennifer M Campbell
 (74) *Attorney, Agent, or Firm* — Christensen, Fonder,
 Dardi & Herbert PLLC

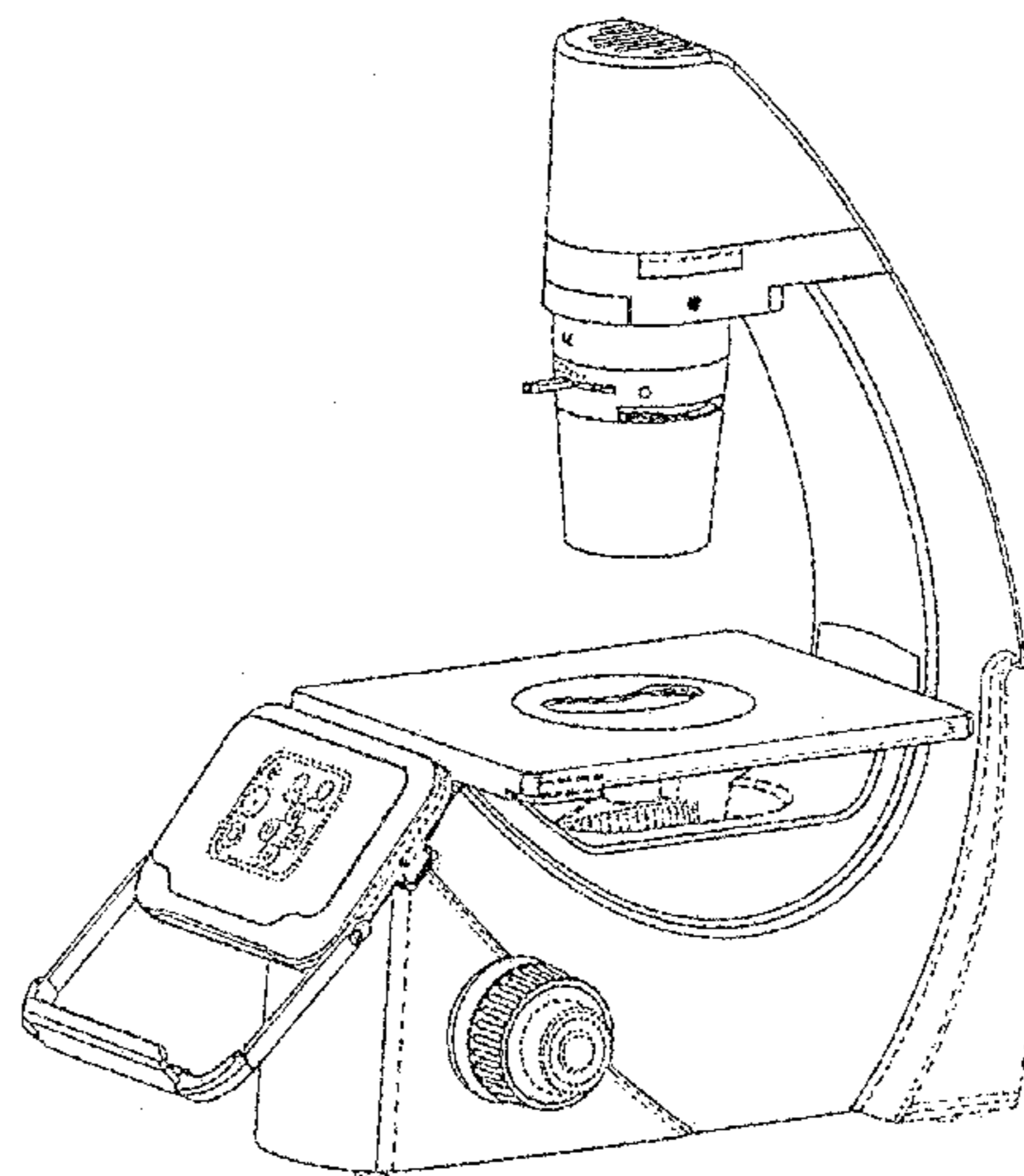
(57) **CLAIM**

We claim the ornamental design for microscope, as shown and described.

DESCRIPTION

FIG. 1 is a front perspective view of a microscope.
 FIG. 2 is a left side elevational view thereof.
 FIG. 3 is a right side elevational view thereof.
 FIG. 4 is a back side elevational view thereof.
 FIG. 5 is a front side elevational view thereof; and,
 FIG. 6 is a top plan view thereof.
 The broken lines shown represent unclaimed subject matter and form no part of the claimed design.

1 Claim, 6 Drawing Sheets



(56)

References Cited

U.S. PATENT DOCUMENTS

7,583,435 B2 * 9/2009 Euteneuer G02B 21/24
359/384
D639,324 S * 6/2011 Stohr D16/131
8,228,600 B2 * 7/2012 Euteneuer G02B 21/0088
359/370
D681,087 S * 4/2013 Kung D16/131
8,446,669 B2 * 5/2013 Seifert G02B 21/26
359/392
8,517,319 B2 * 8/2013 Hay G02B 21/0032
248/200
D690,342 S * 9/2013 Funakoshi D16/131
8,537,462 B2 * 9/2013 Seifert G02B 21/26
359/393
8,559,119 B2 * 10/2013 Seifert G02B 21/241
359/381
8,867,127 B2 * 10/2014 Seifert G02B 21/24
359/393
2006/0012858 A1 * 1/2006 Bender G02B 21/0088
359/368
2012/0147462 A1 * 6/2012 Seifert G02B 21/241
359/392
2015/0331227 A1 * 11/2015 Qian G02B 21/06
359/385

OTHER PUBLICATIONS

Optika Microscopes printout or presentation, Nov. 8, 2013 (1 pg.).

* cited by examiner

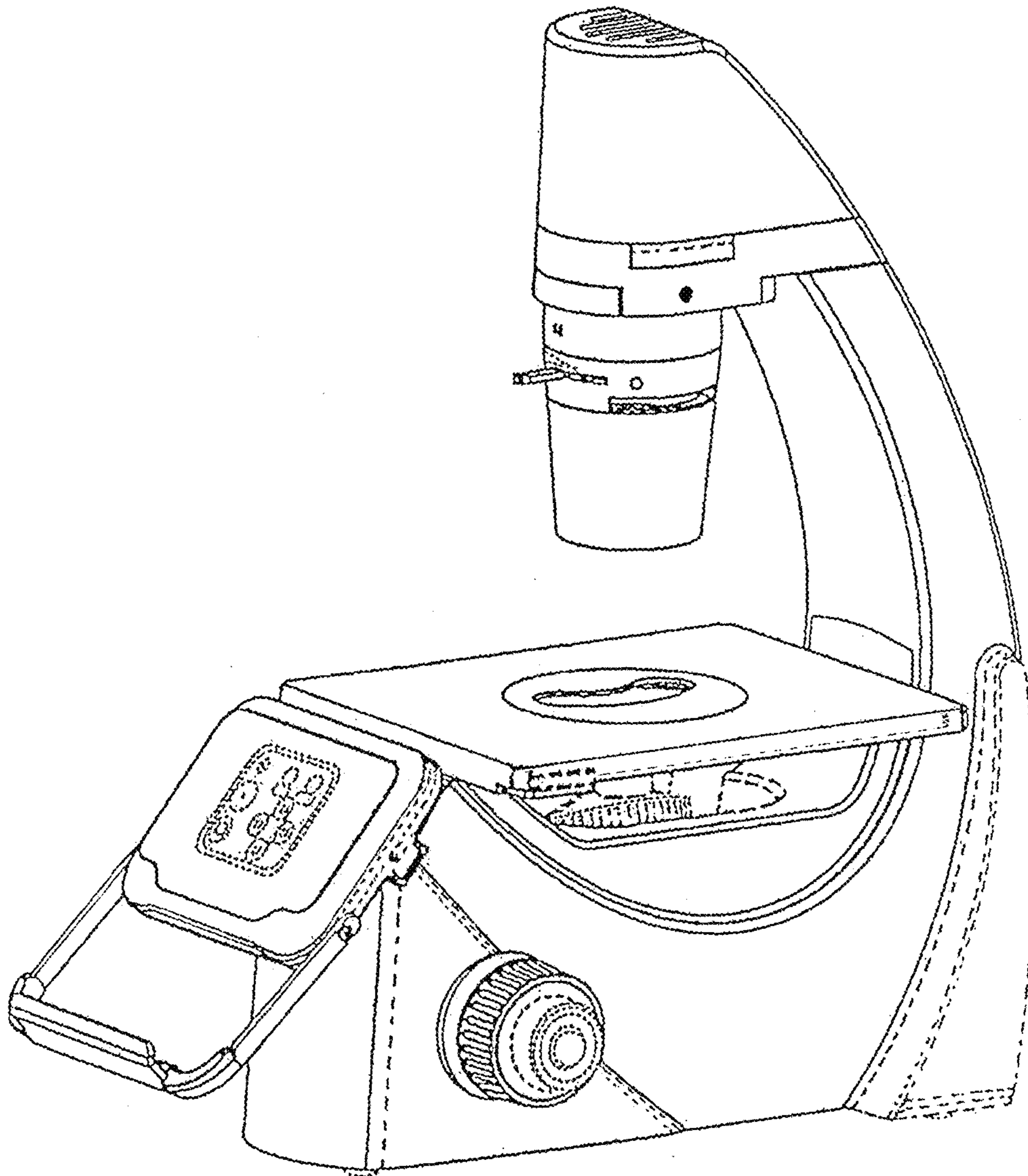


Fig. 1

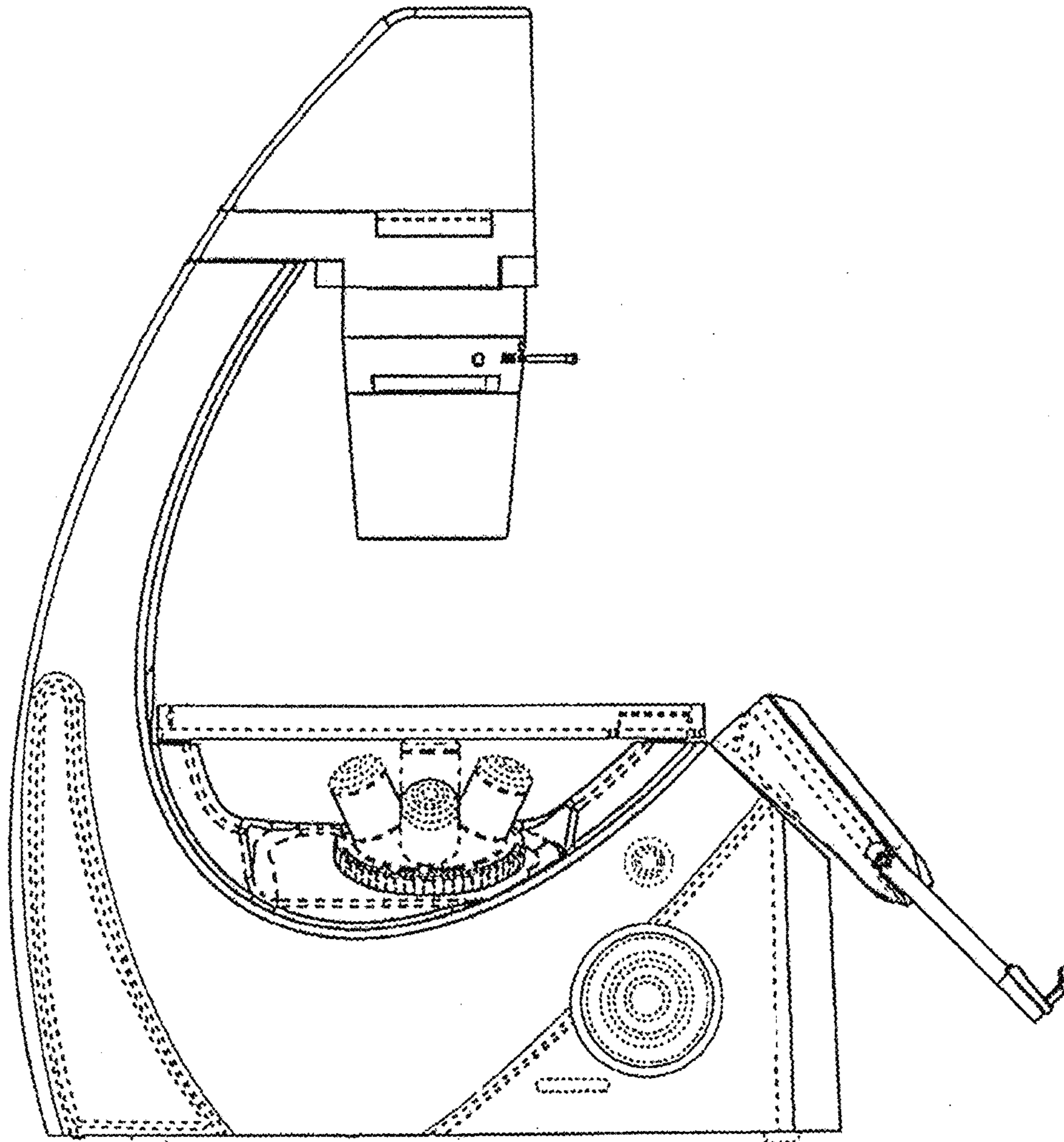


Fig. 2

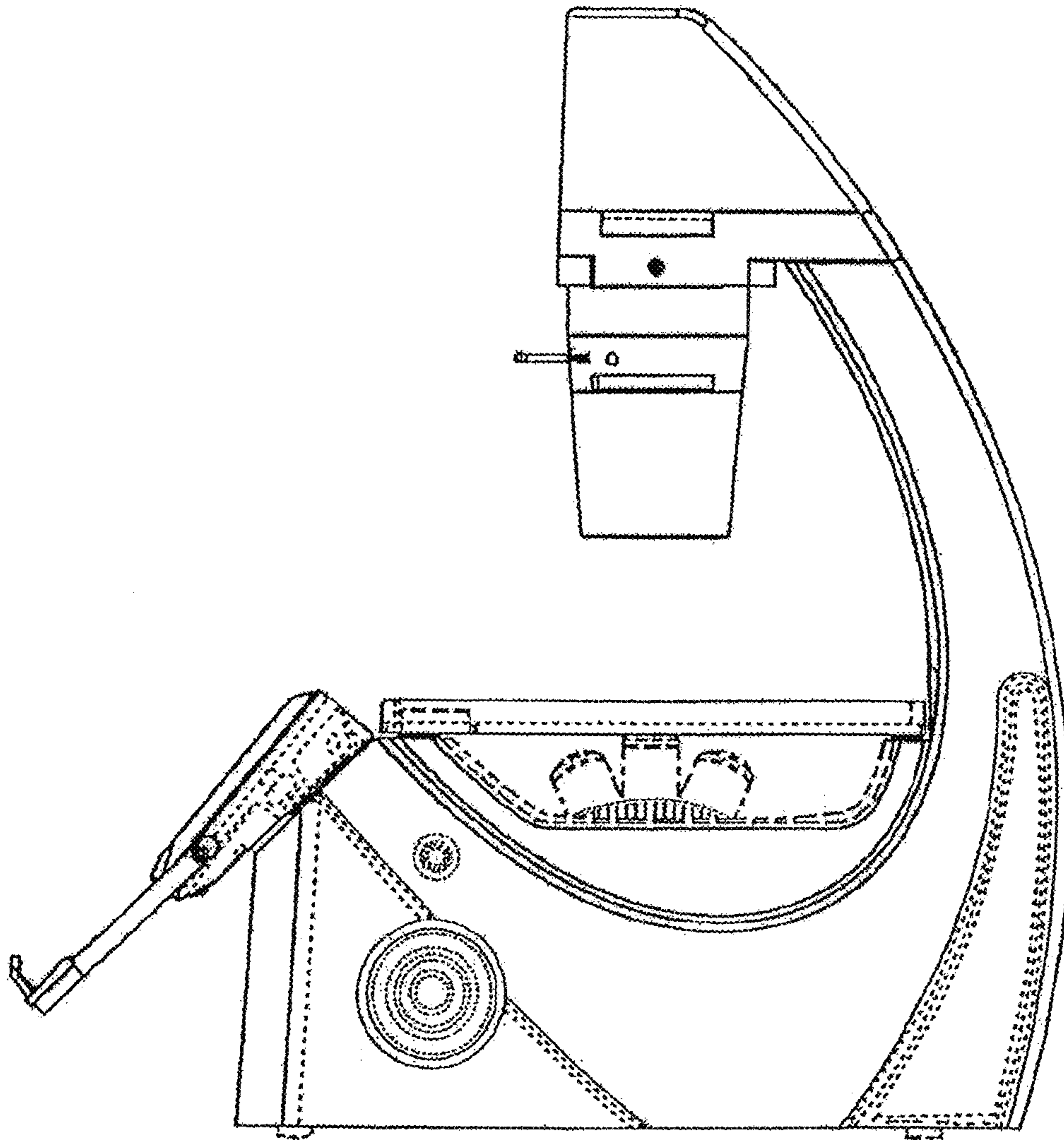


Fig. 3

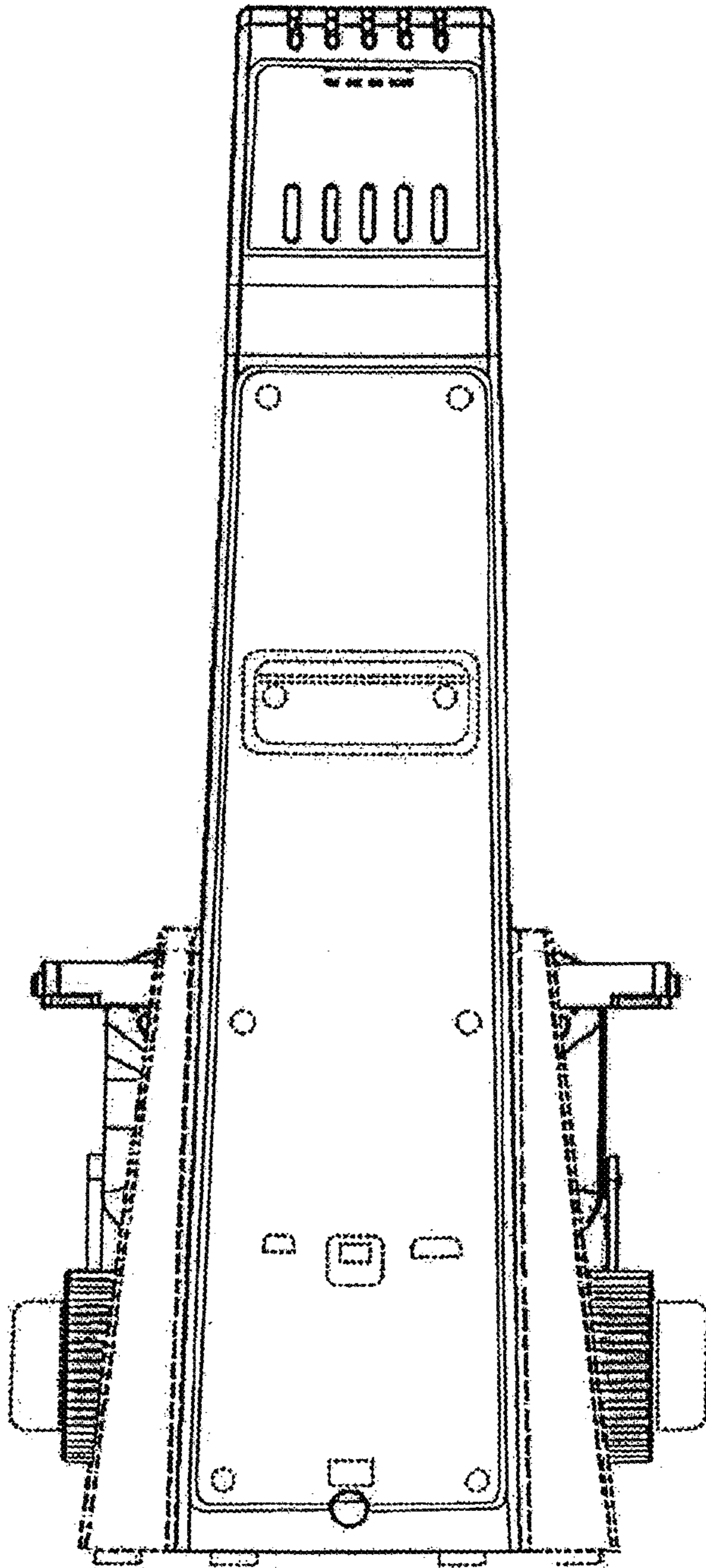


Fig. 4

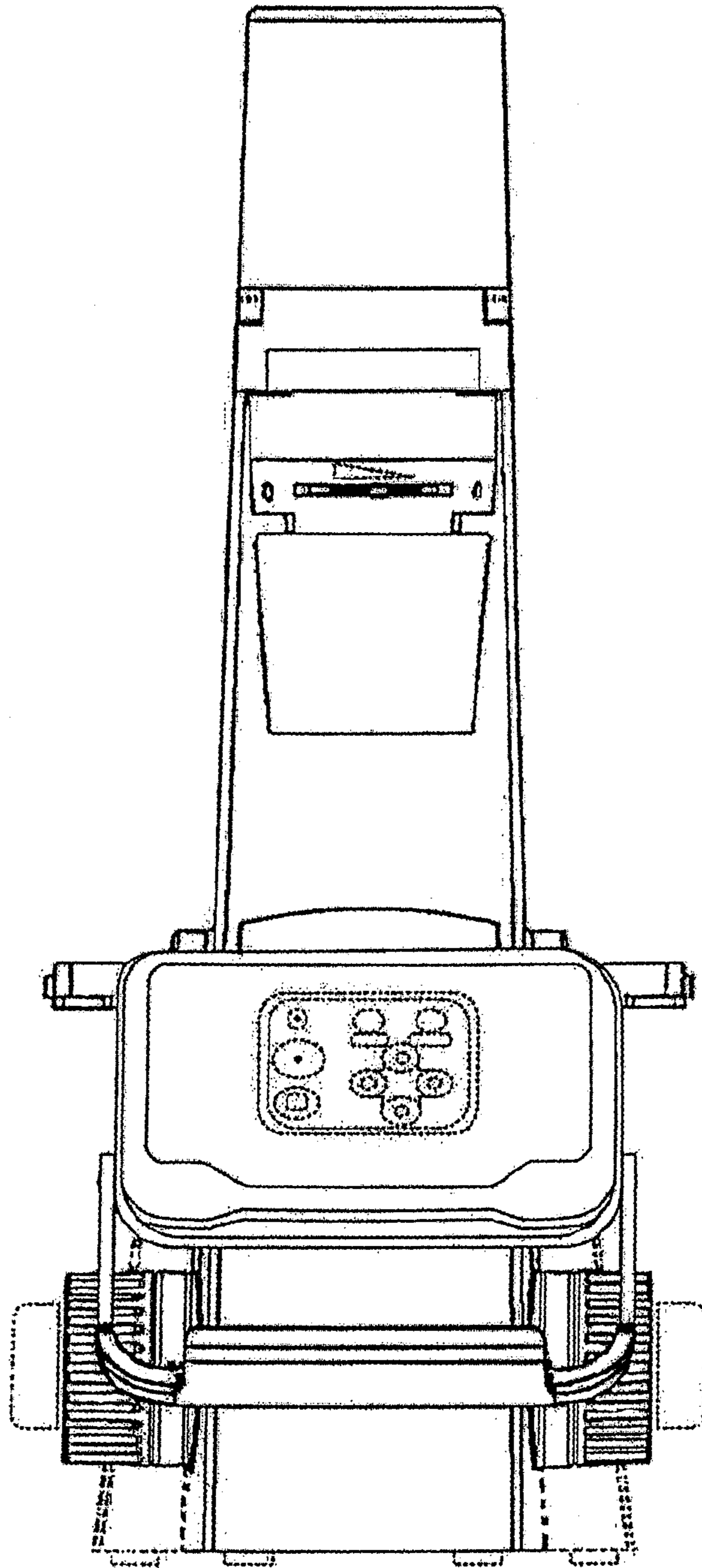


Fig. 5

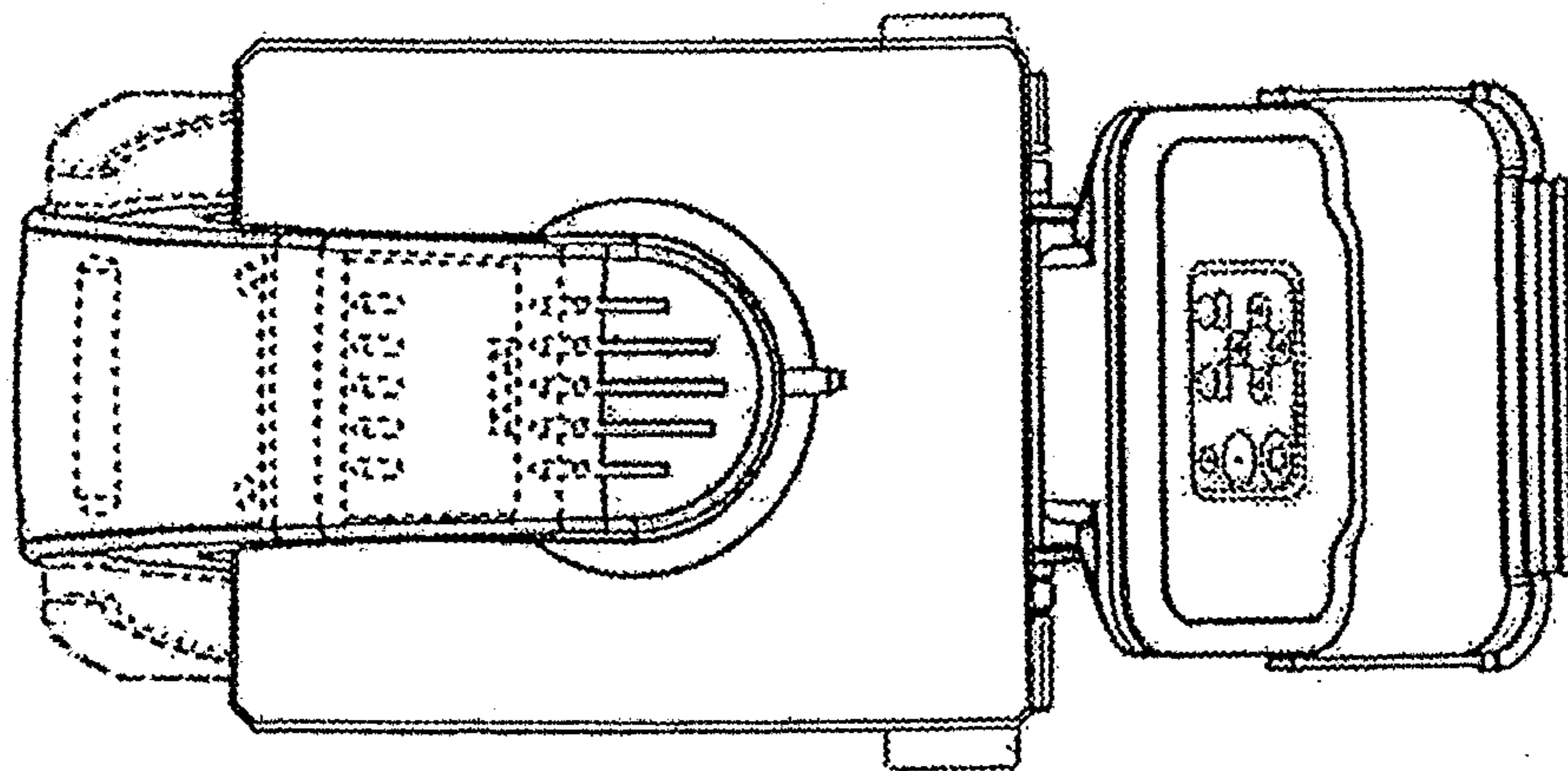


Fig. 6