



US00D819103S

(12) **United States Design Patent**
Kapuria et al.

(10) **Patent No.:** **US D819,103 S**
(45) **Date of Patent:** **** May 29, 2018**

(54) **AUTONOMOUS DRIVER ASSISTANCE
DEVICE**

(71) Applicant: **THE HI-TECH ROBOTIC
SYSTEMZ LTD**, Gurugram (IN)

(72) Inventors: **Anuj Kapuria**, Gurugram (IN);
Ritukar Vijay, Gurugram (IN); **Fahad
Munawar Azad**, Gurugram (IN); **Kvn
Pradyot**, Gurugram (IN)

(73) Assignee: **THE HI-TECH ROBOTIC
SYSTEMZ LTD**, Gurugram (IN)

(**) Term: **15 Years**

(21) Appl. No.: **29/609,551**

(22) Filed: **Jun. 30, 2017**

(30) **Foreign Application Priority Data**

Feb. 3, 2017 (IN) 290610

(51) **LOC (11) Cl.** **15-99**

(52) **U.S. Cl.**
USPC **D15/199**

(58) **Field of Classification Search**
USPC D15/199; D21/578-583, 621, 622
CPC . B60R 1/12; B60R 2001/1284; B62D 15/025;
H05K 7/02

See application file for complete search history.

(56) **References Cited**

U.S. PATENT DOCUMENTS

D435,107 S * 12/2000 Blair D24/186
7,559,590 B1 * 7/2009 Jones B25J 19/0025
294/2
8,419,276 B2 * 4/2013 Oda A61B 6/4283
378/198
9,308,050 B2 * 4/2016 Kostrzewski A61B 19/26

D782,553 S * 3/2017 Goto D15/199
D792,917 S * 7/2017 Fischer D15/199
2003/0146831 A1 * 8/2003 Berberich B60R 11/04
340/461

(Continued)

Primary Examiner — Patricia A Palasik

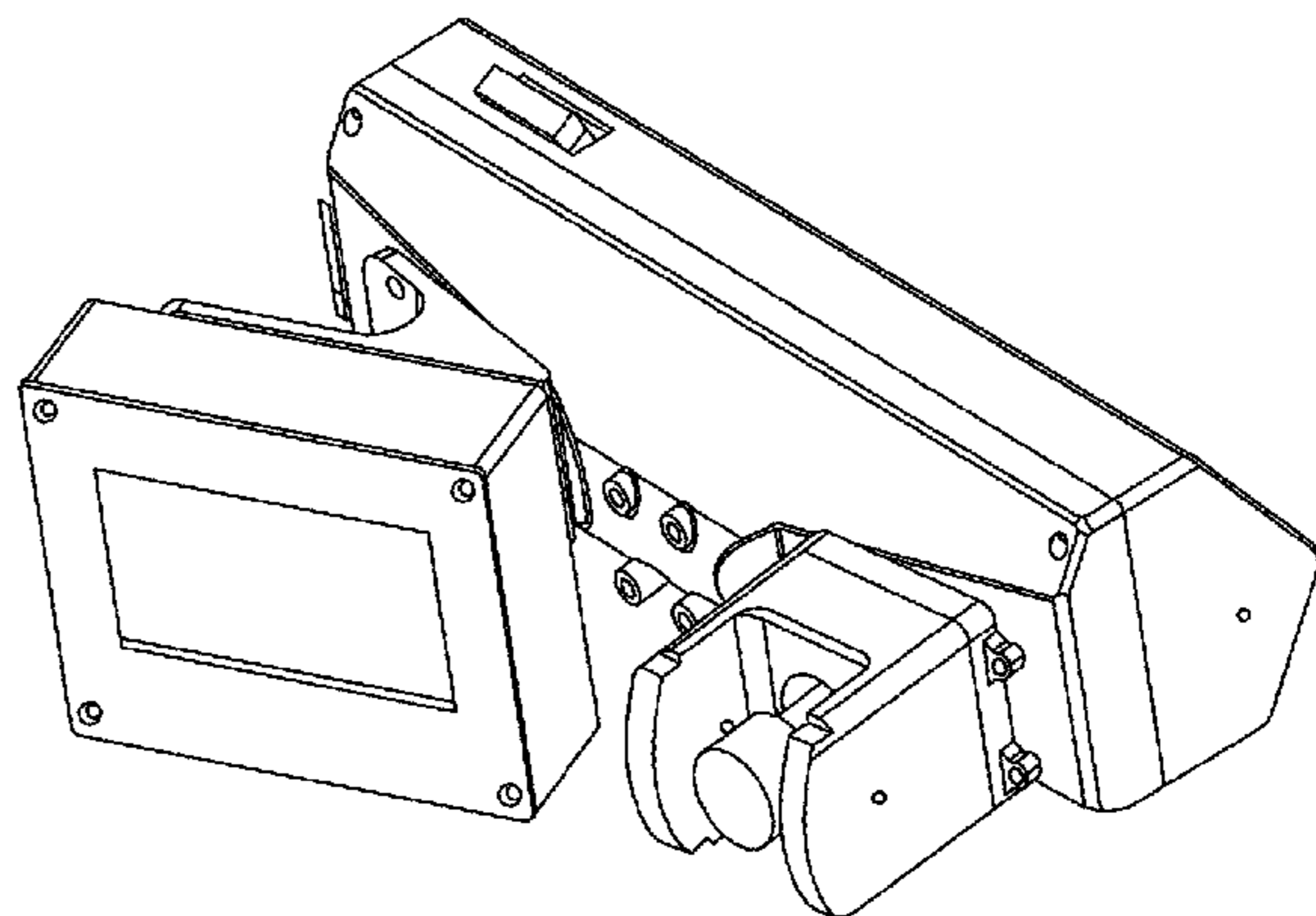
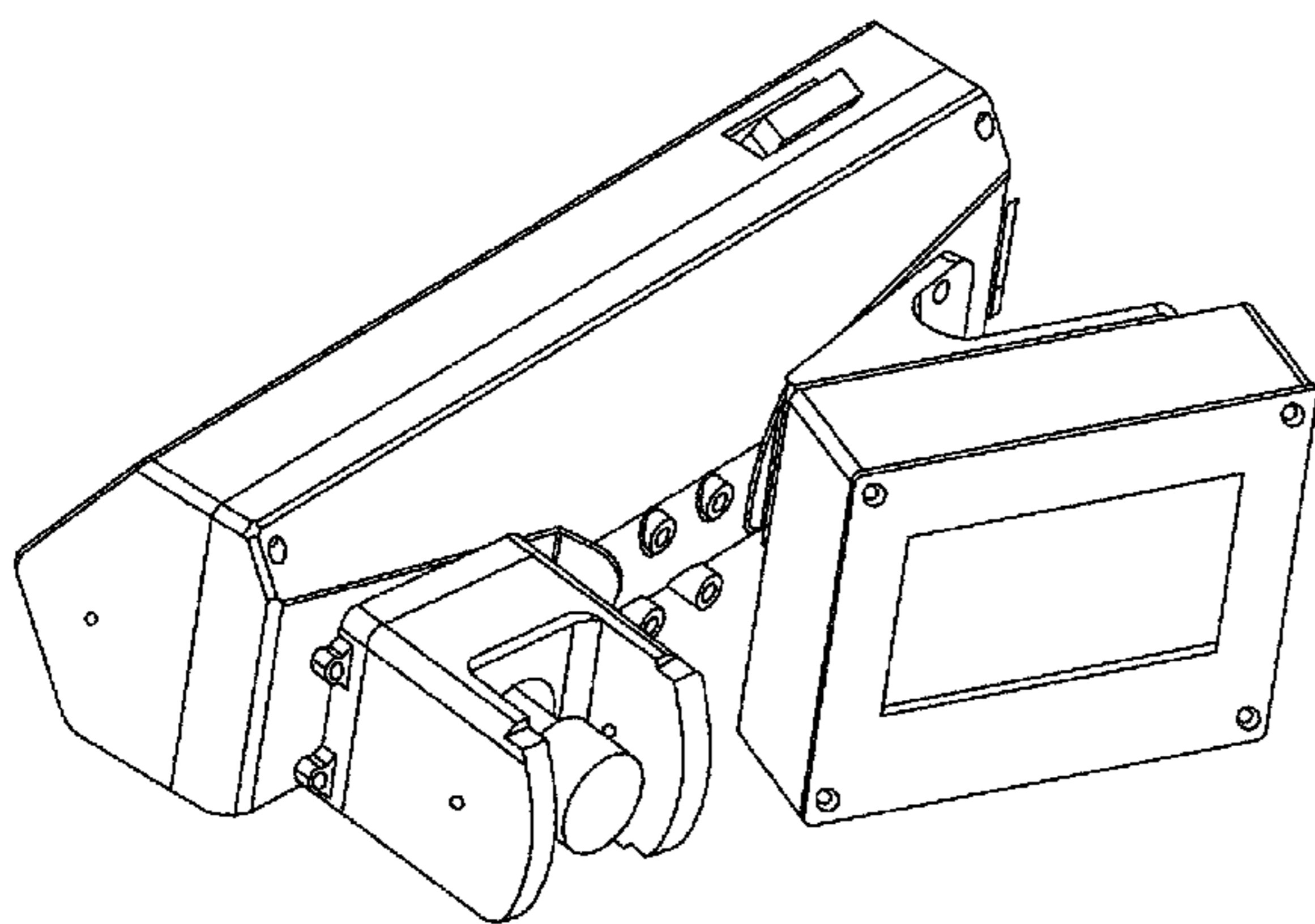
(57) **CLAIM**

The ornamental design for an autonomous driver assistance device, as shown and described.

DESCRIPTION

FIG. 1 is a front perspective view of a first embodiment of an autonomous driver assistance device;
FIG. 2 is a front view of the first embodiment of the autonomous driver assistance device;
FIG. 3 is a back view of the first embodiment of the autonomous driver assistance device;
FIG. 4 is a left view of the first embodiment of the autonomous driver assistance device;
FIG. 5 is a right view of the first embodiment of the autonomous driver assistance device;
FIG. 6 is a top view of the first embodiment of the autonomous driver assistance device;
FIG. 7 is a bottom view of the first embodiment of the autonomous driver assistance device;
FIG. 8 is a front perspective view of a second embodiment of the autonomous driver assistance device;
FIG. 9 is a front view of the second embodiment of the autonomous driver assistance device;
FIG. 10 is a back view of the second embodiment of the autonomous driver assistance device;
FIG. 11 is a left view of the second embodiment of the autonomous driver assistance device;
FIG. 12 is a right view of the second embodiment of the autonomous driver assistance device;
FIG. 13 is a top view of the second embodiment of the autonomous driver assistance device; and,
FIG. 14 is a bottom view of the second embodiment of the autonomous driver assistance device.

1 Claim, 14 Drawing Sheets



(56)

References Cited

U.S. PATENT DOCUMENTS

2007/0279317 A1* 12/2007 Matsumoto B60K 35/00
345/7
2008/0167160 A1* 7/2008 Koike B60B 19/14
476/33
2010/0010672 A1* 1/2010 Wang B25J 5/00
700/259
2011/0063425 A1* 3/2011 Tiernan B60K 37/06
348/61
2014/0366674 A1* 12/2014 Swartz B25J 18/00
74/490.05
2014/0375075 A1* 12/2014 Liao B60R 1/12
296/84.1
2015/0190927 A1* 7/2015 Sutherland B25J 9/1689
700/259
2016/0107317 A1* 4/2016 Hashimoto B25J 9/042
414/744.2
2016/0144717 A1* 5/2016 Mayer G09G 3/003
345/1.1
2016/0185387 A1* 6/2016 Kuoch B60K 35/00
701/41

* cited by examiner

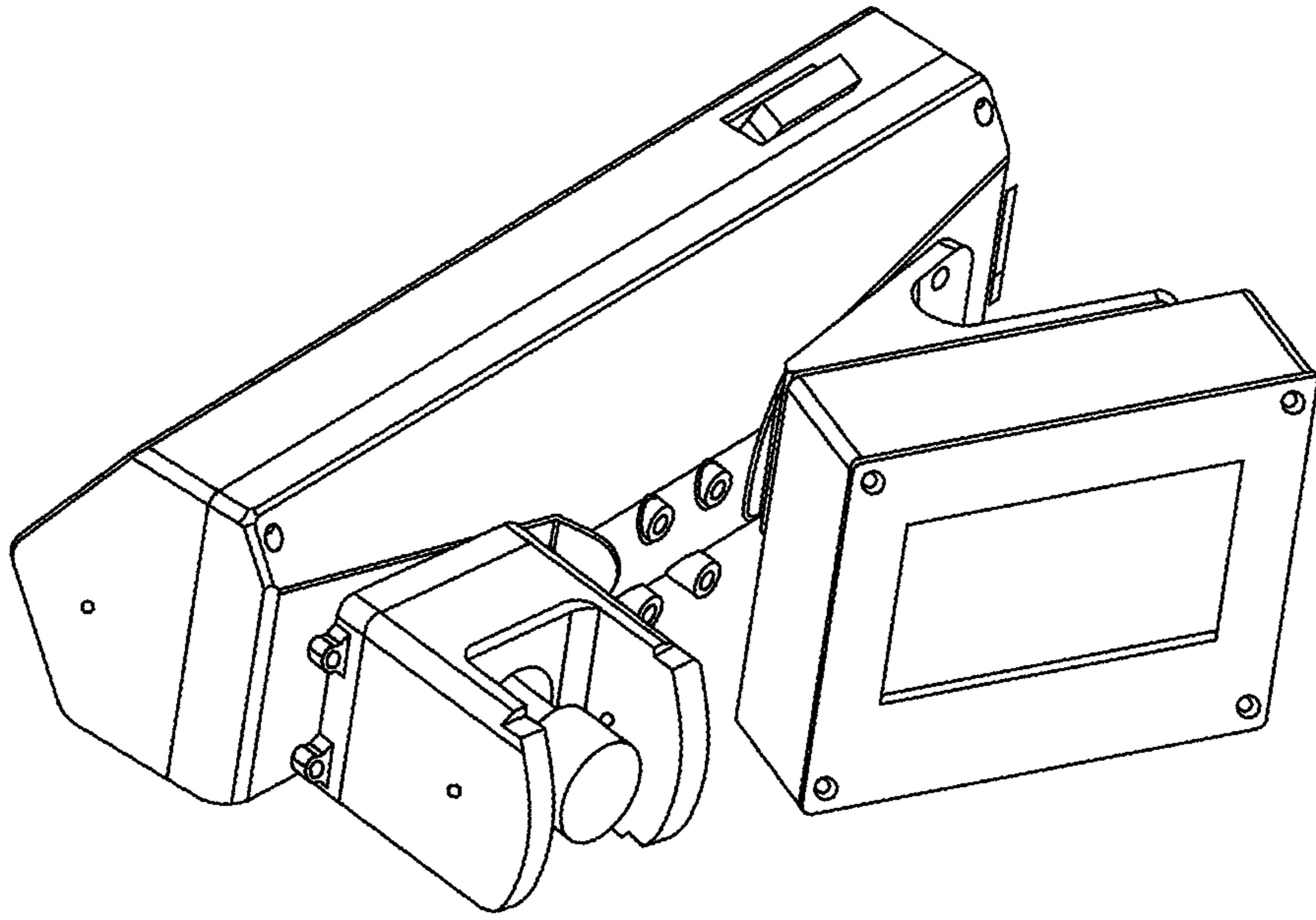


FIG. 1

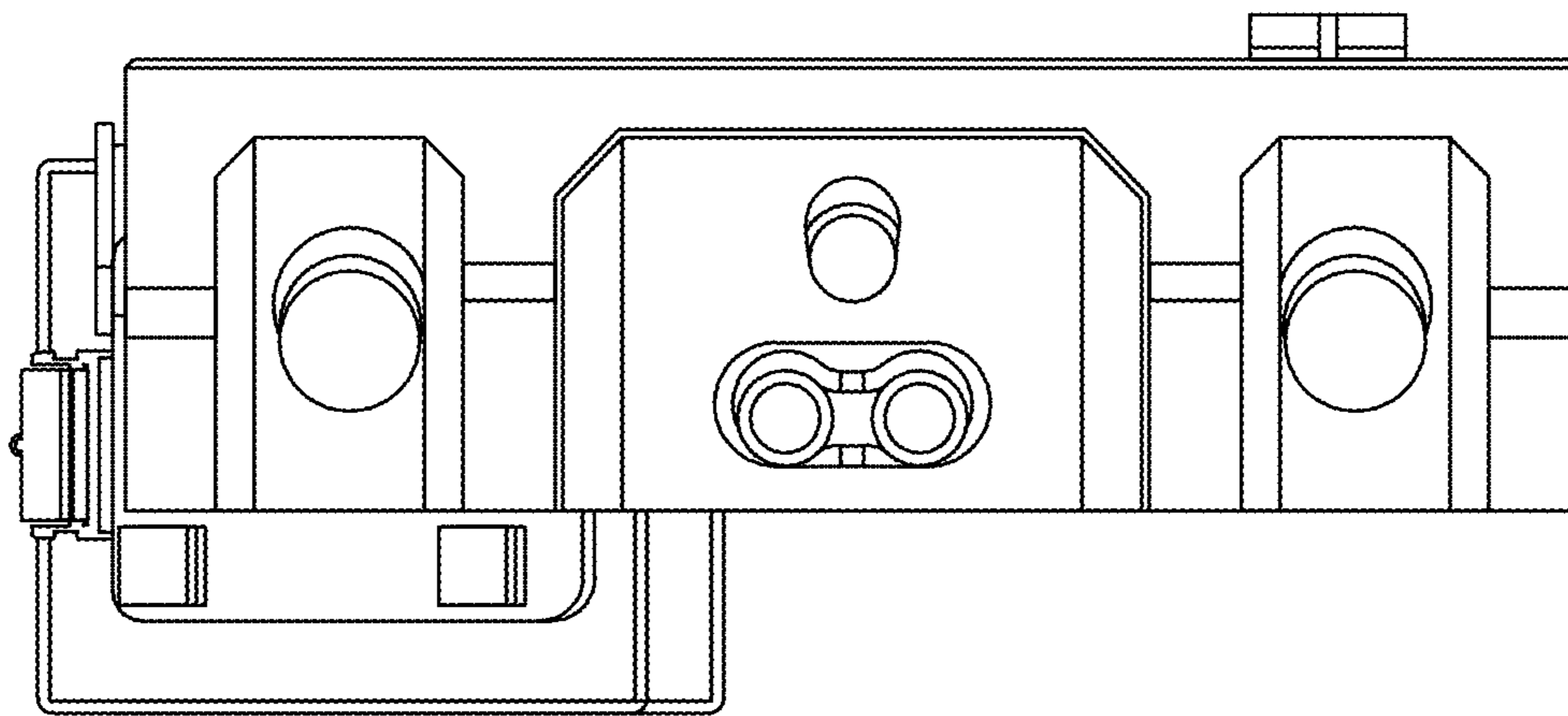


FIG. 2

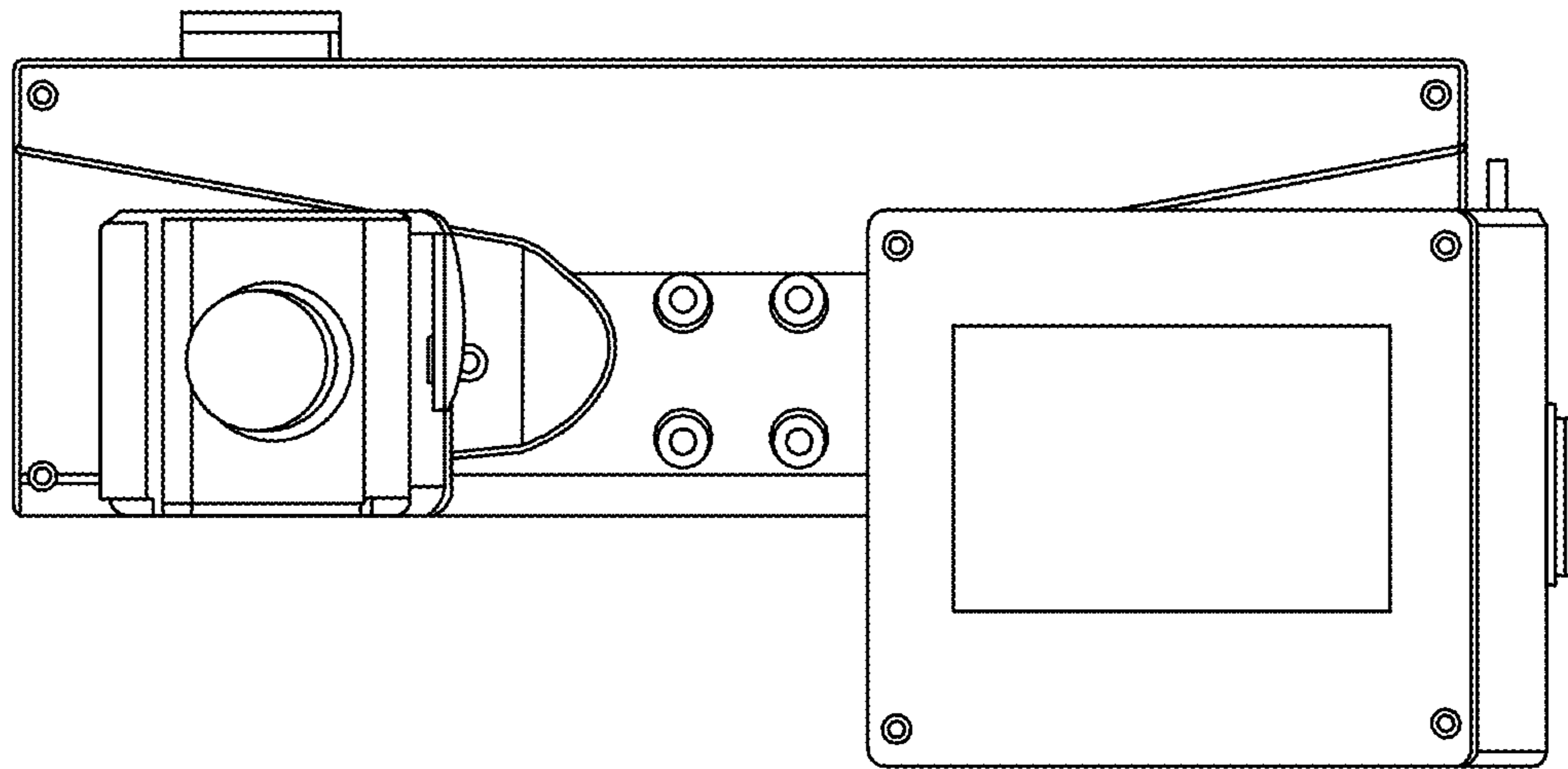


FIG. 3

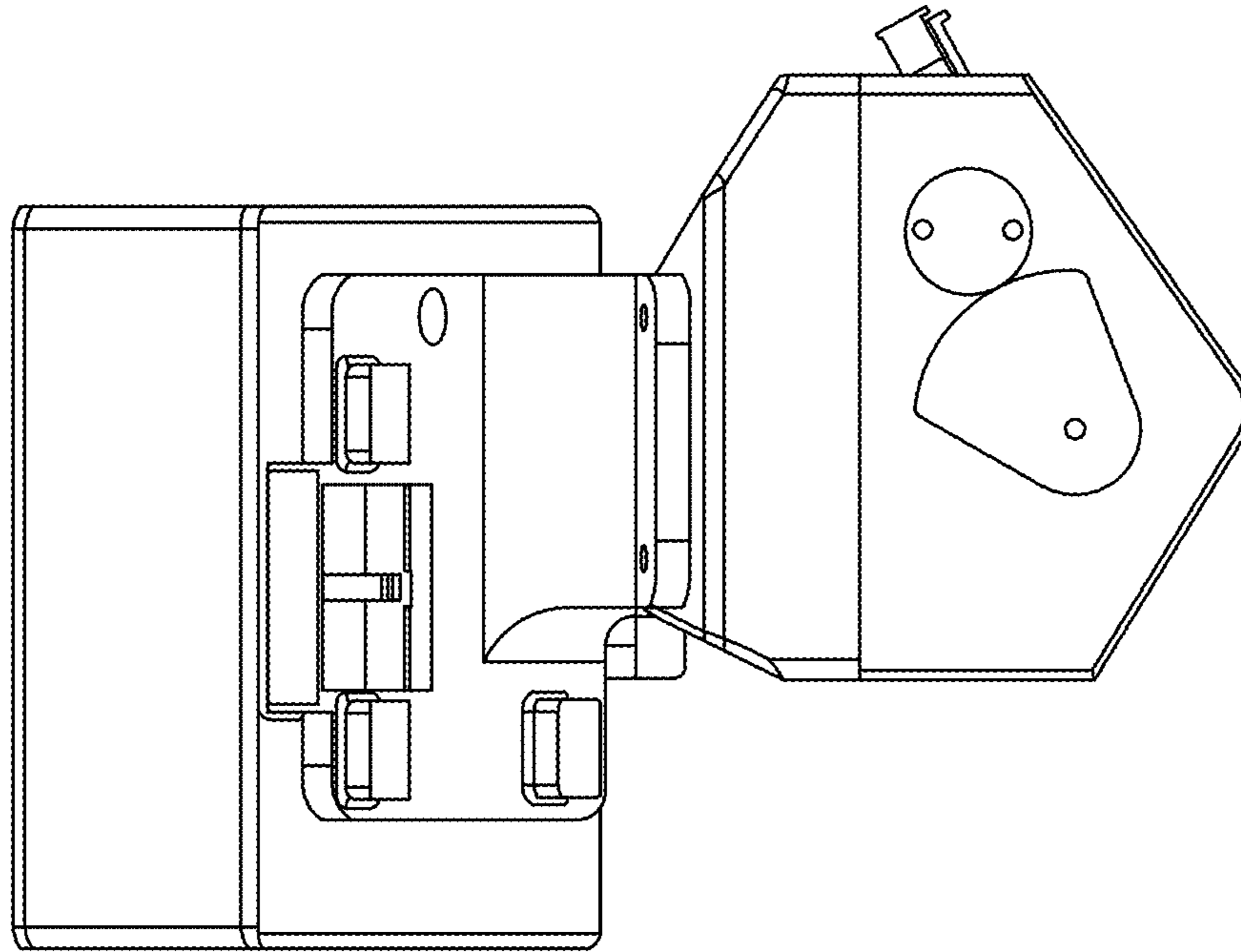


FIG. 4

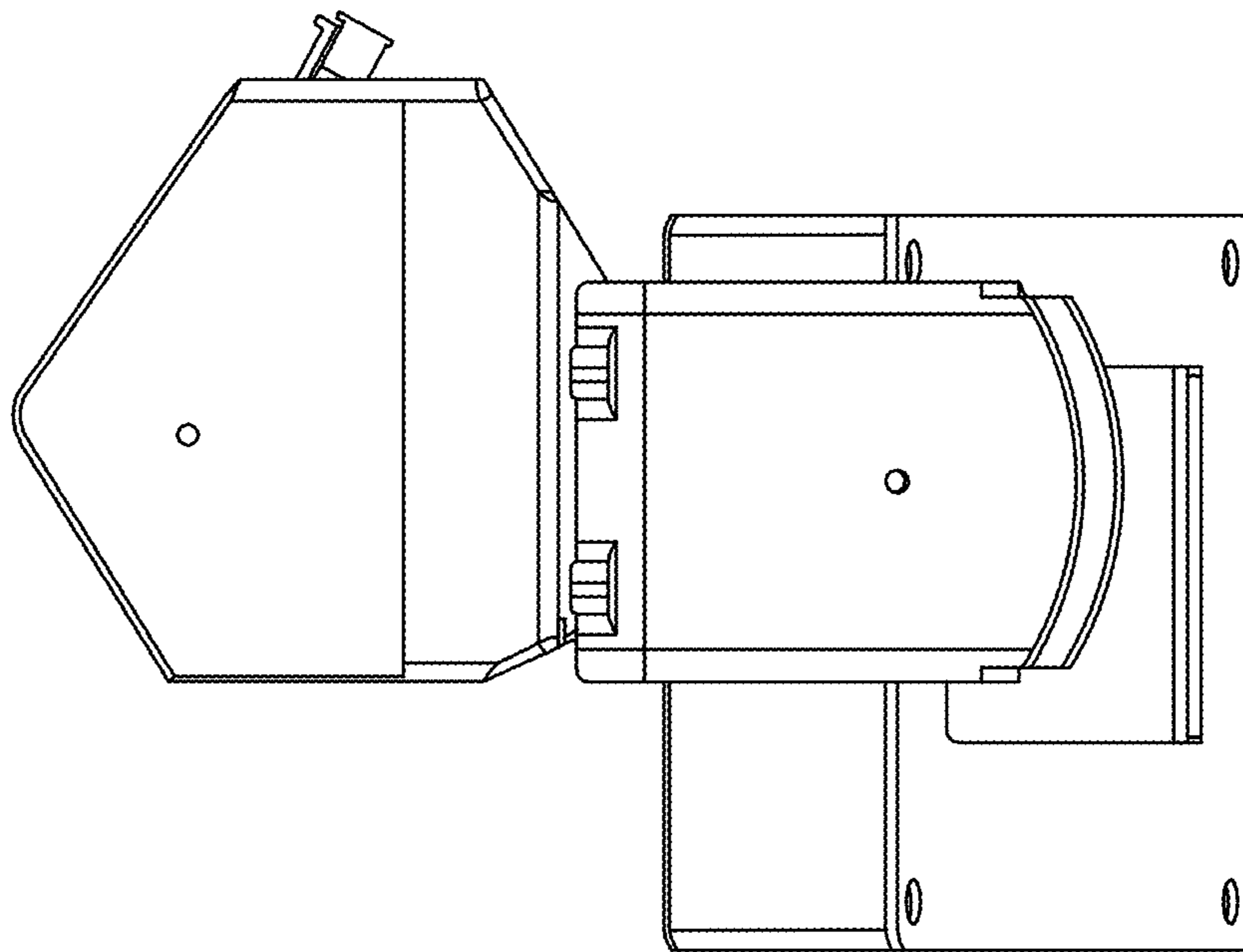


FIG. 5

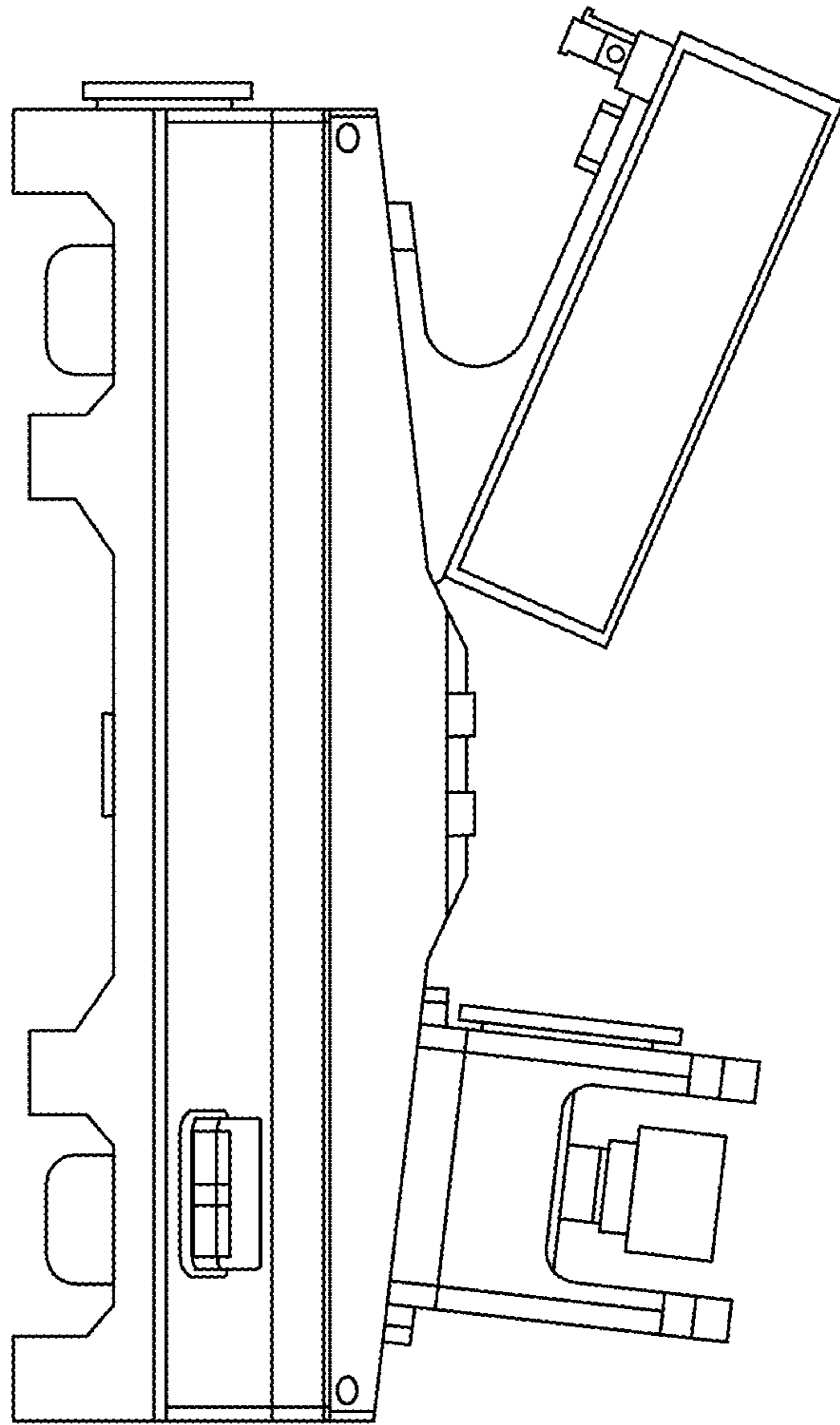


FIG. 6

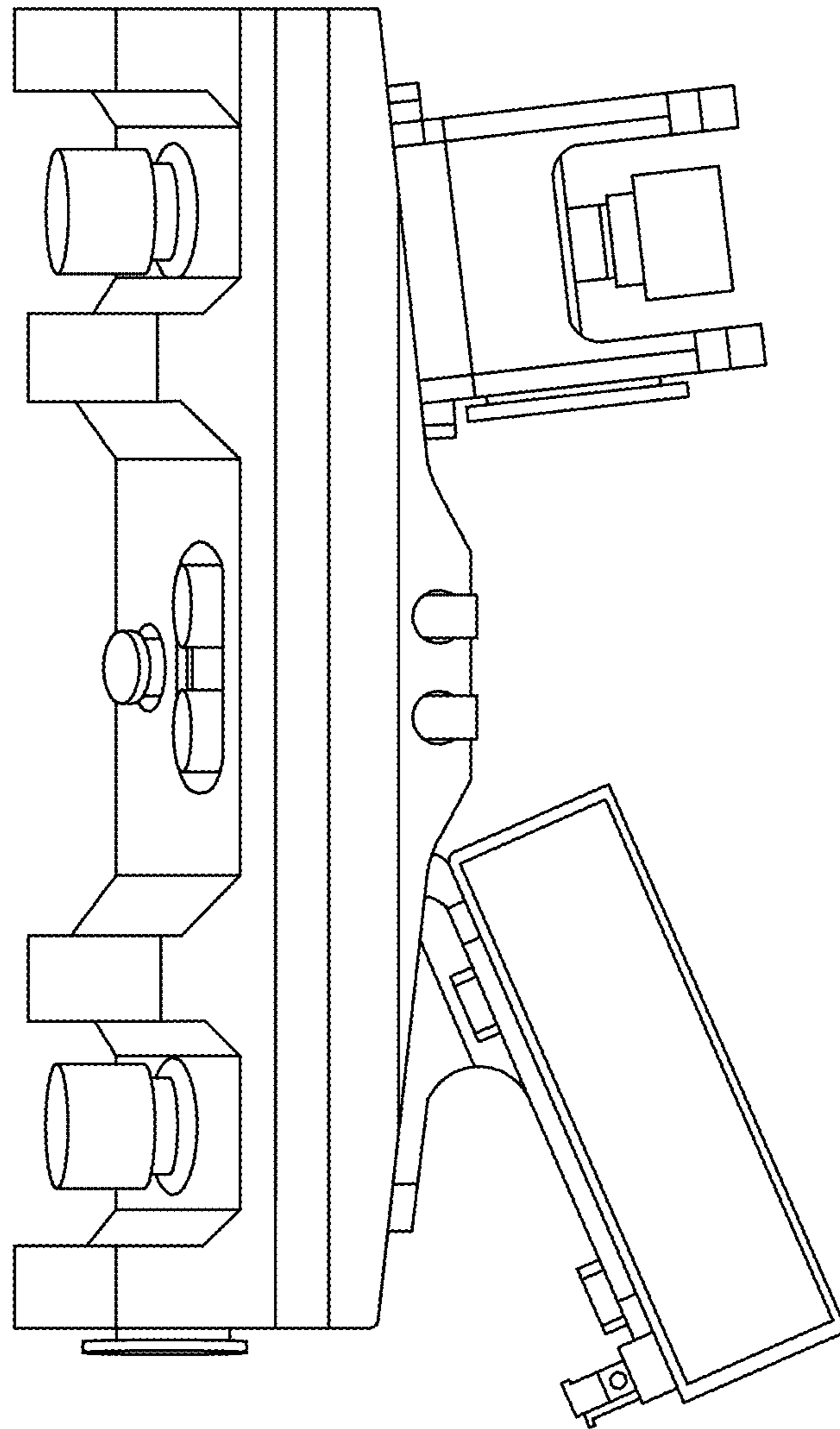


FIG. 7

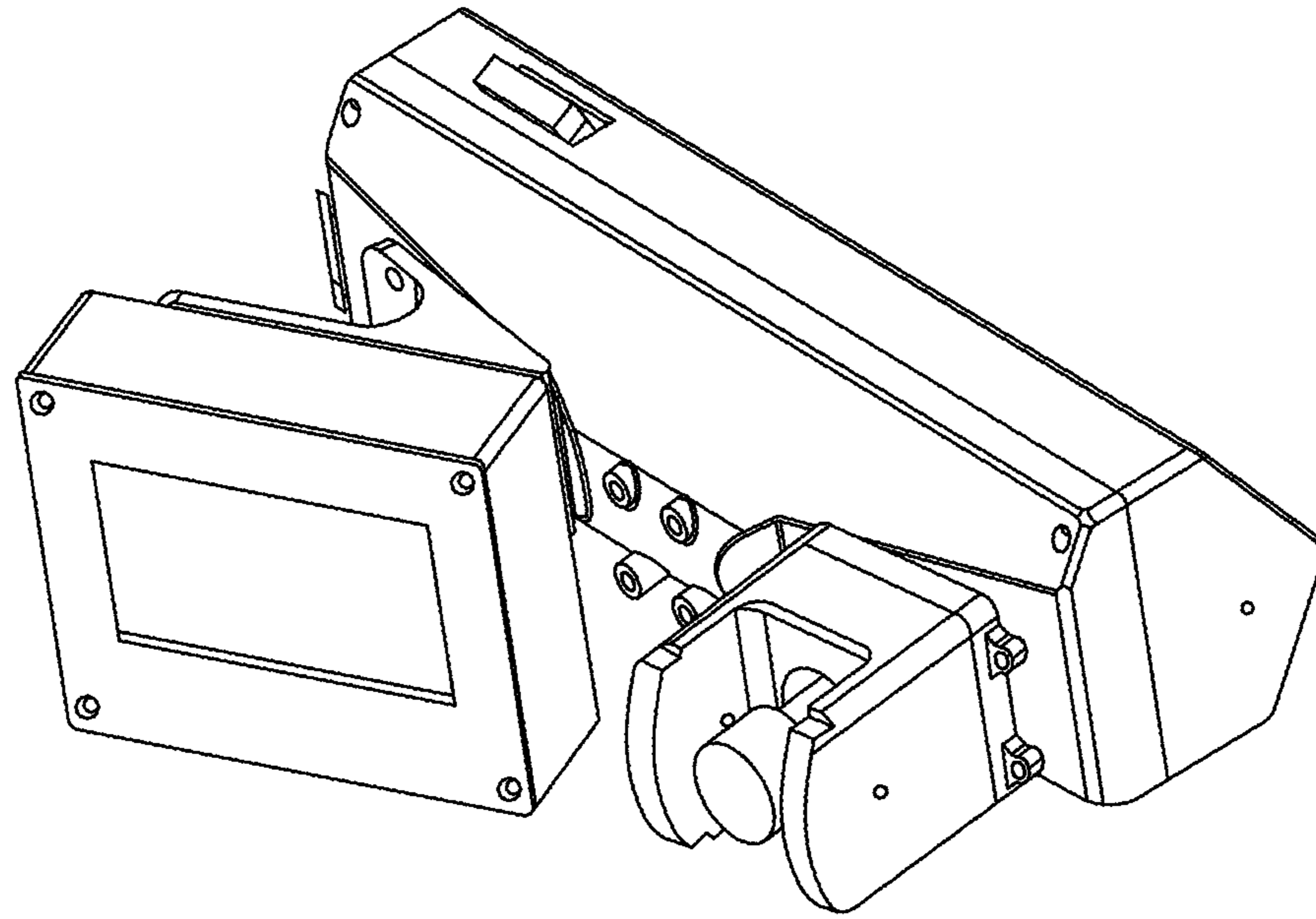


FIG. 8

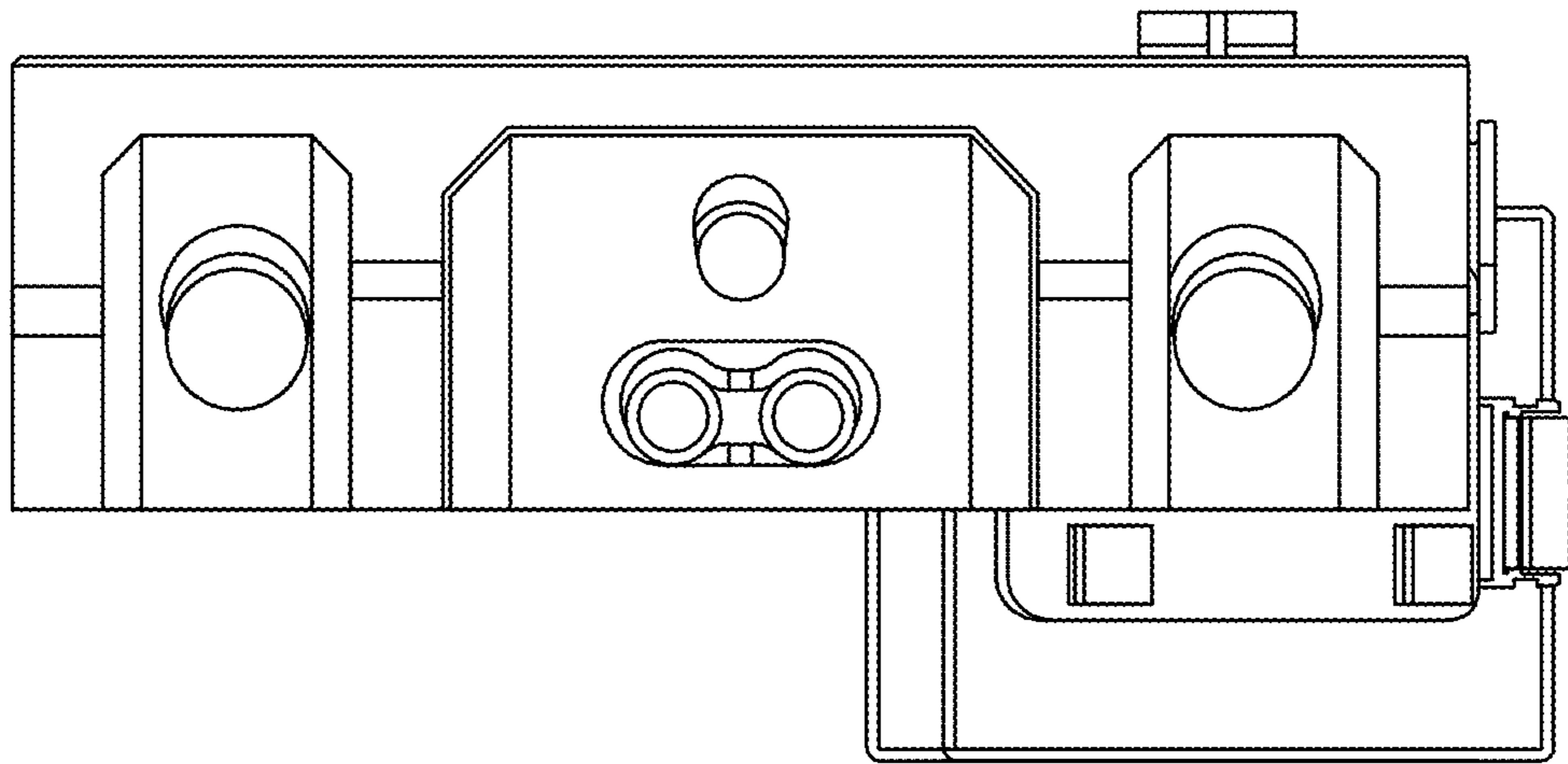


FIG. 9

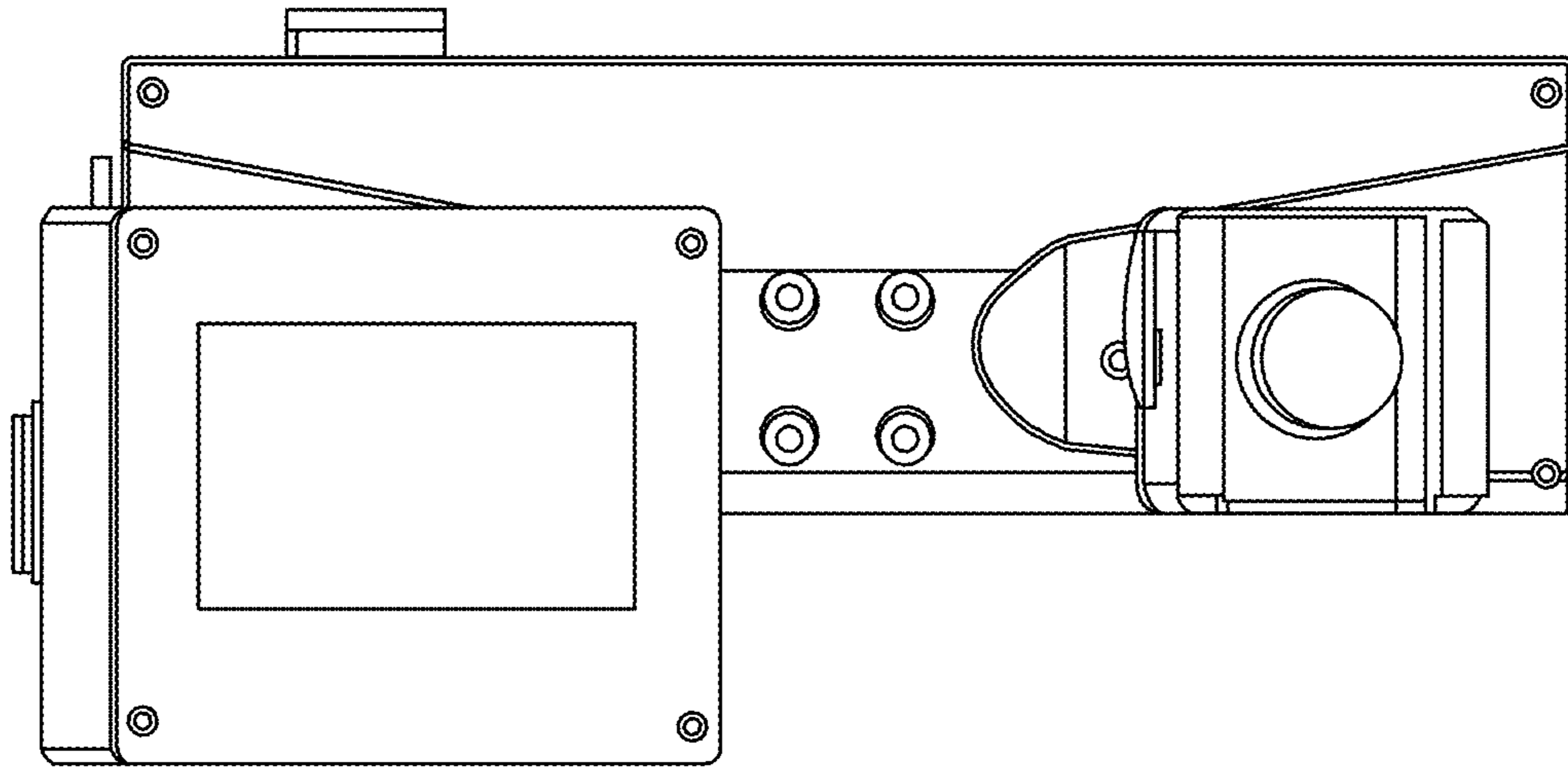


FIG. 10

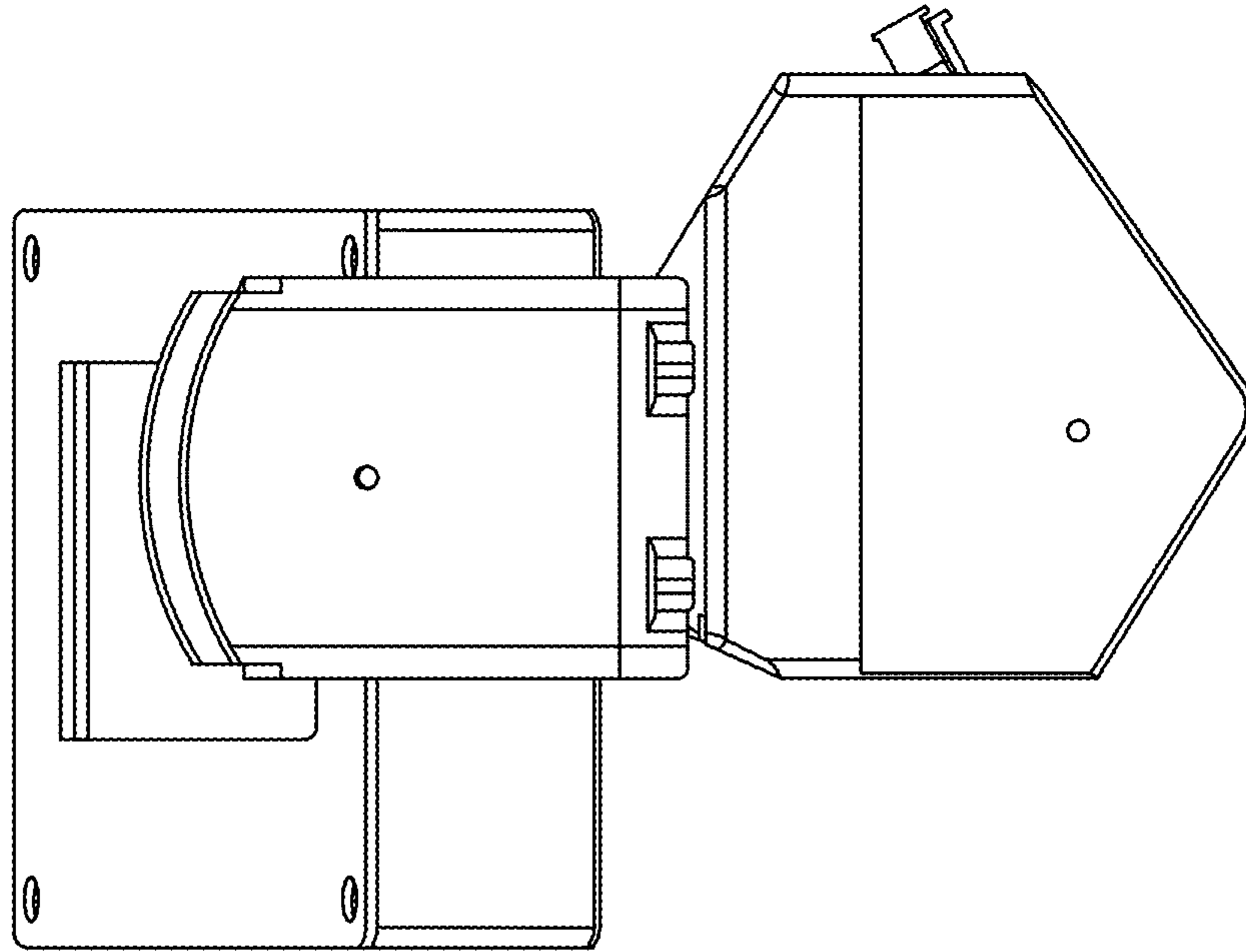


FIG. 11

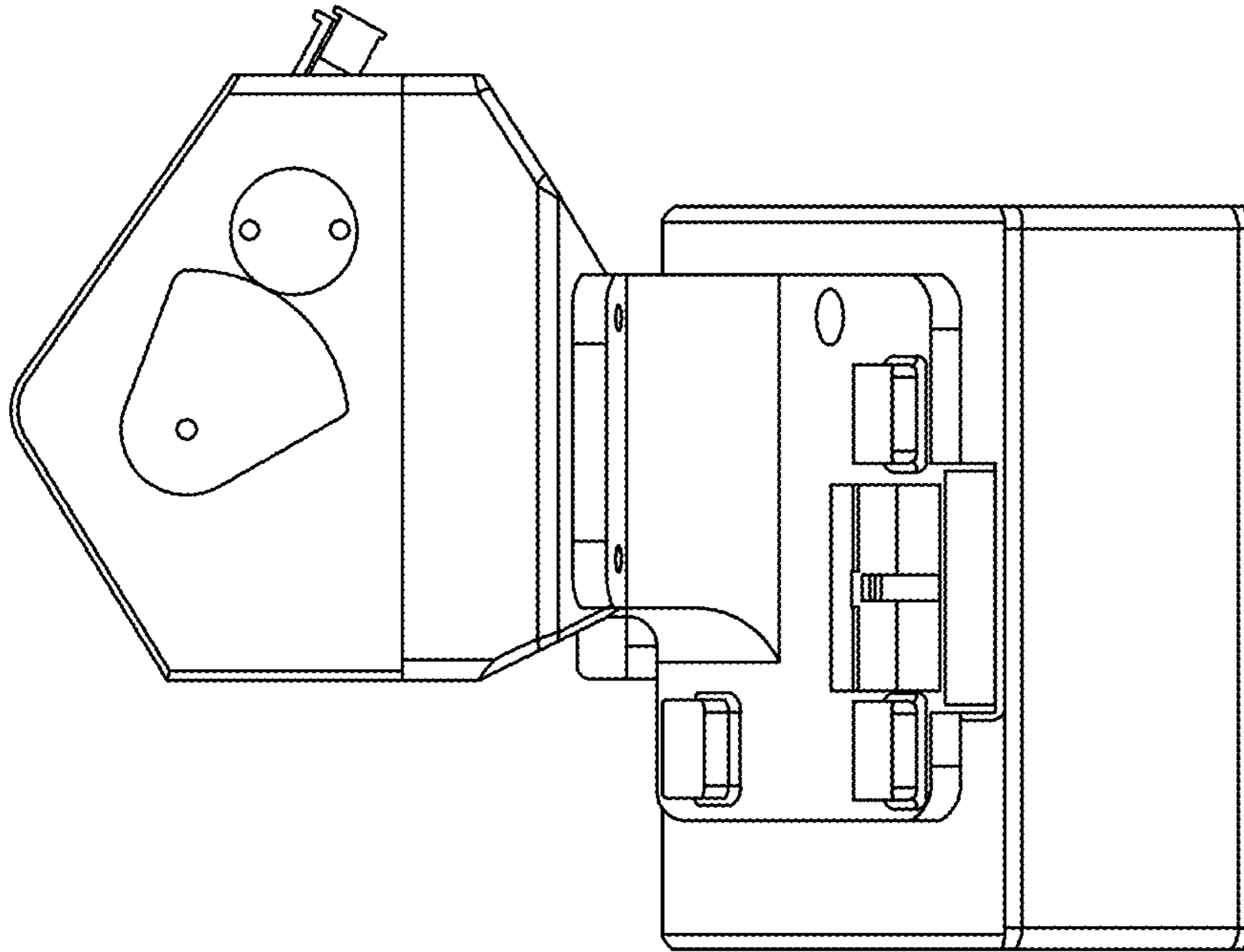


FIG. 12

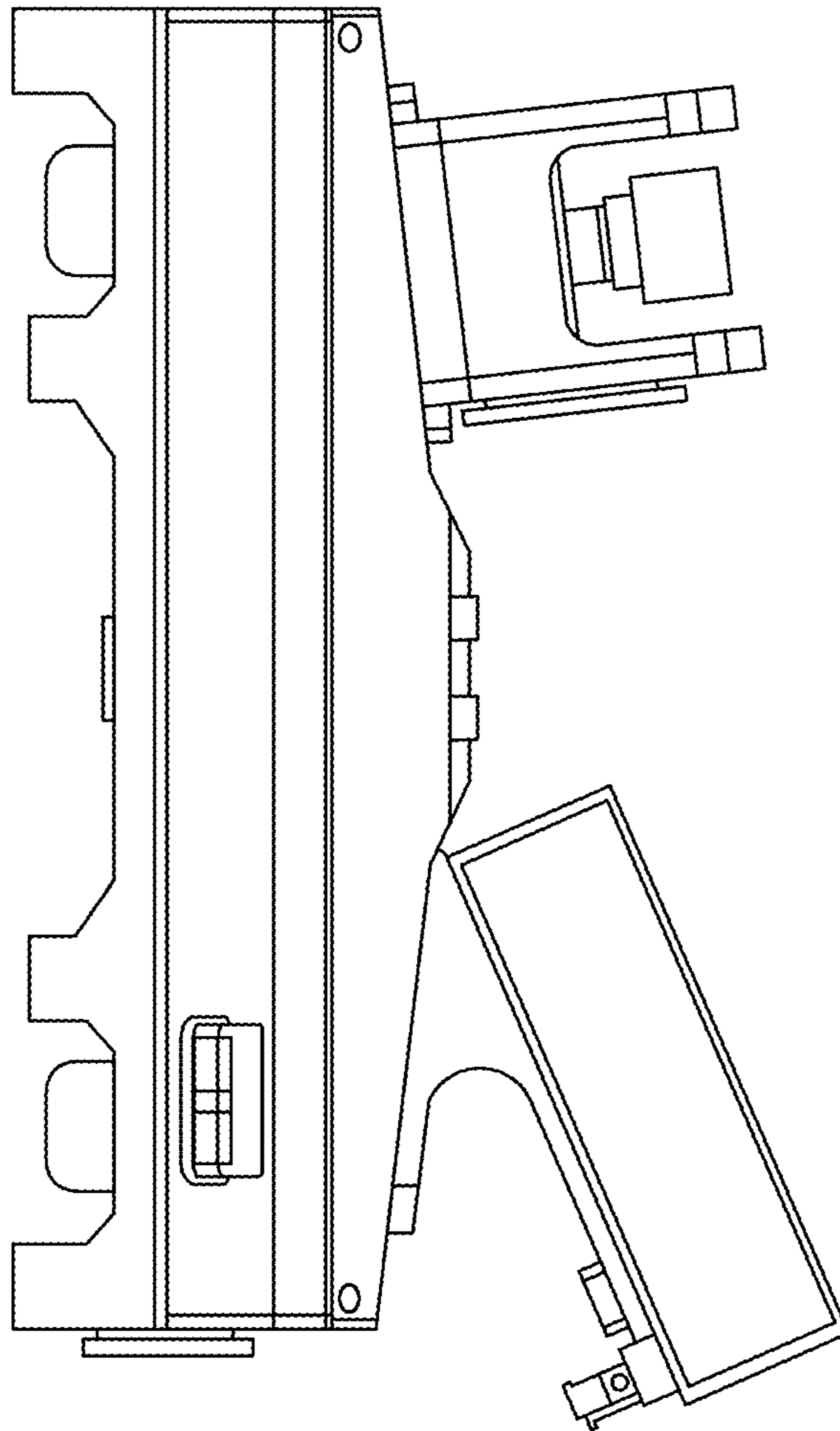


FIG. 13

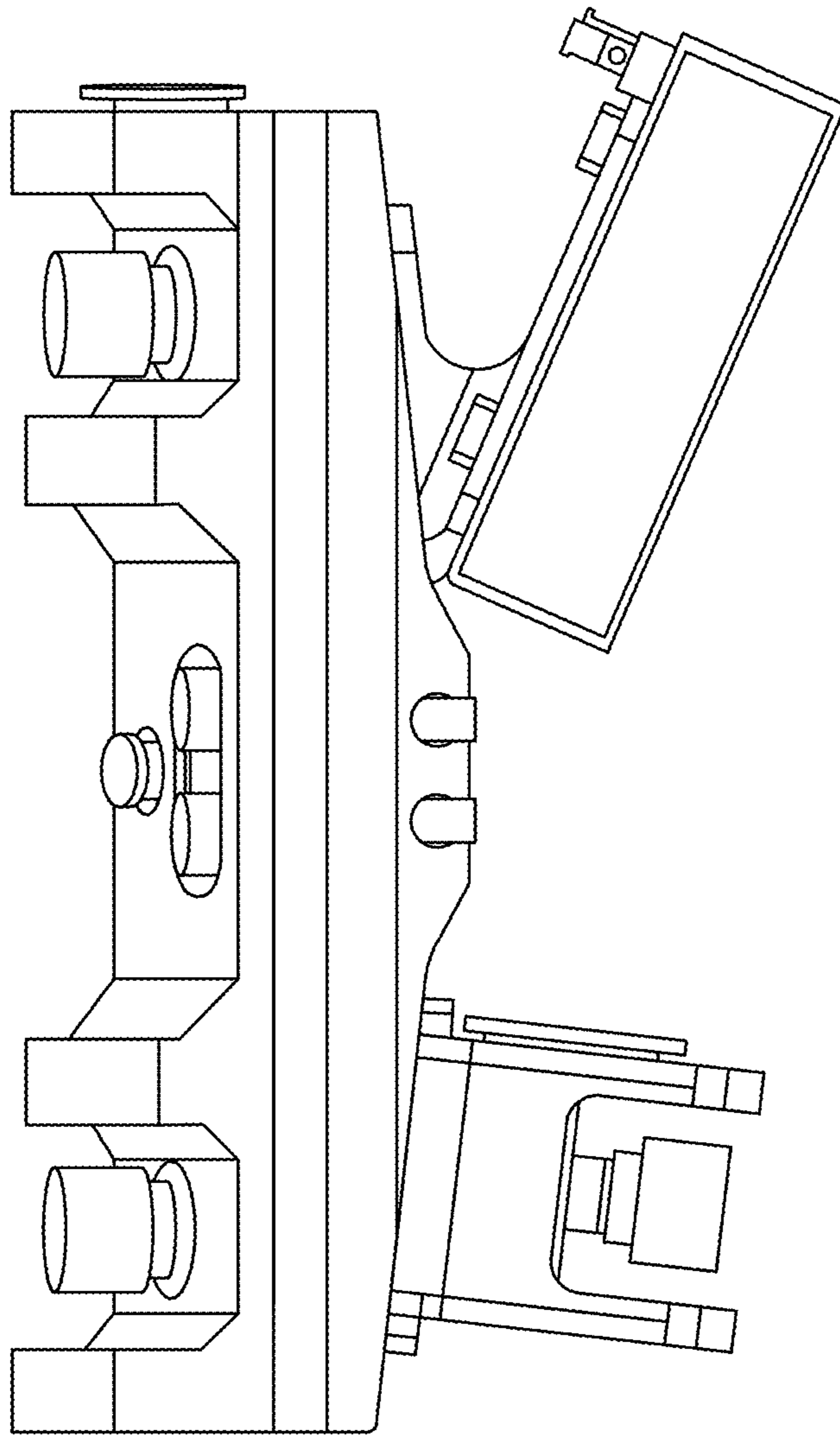


FIG. 14