



US00D819102S

(12) **United States Design Patent** (10) **Patent No.:** **US D819,102 S**
Kobayashi et al. (45) **Date of Patent:** **** May 29, 2018**

(54) **ROBOT HAND**

D783,448 S * 4/2017 Siegel D11/160
9,630,326 B2 * 4/2017 Rosheim B25J 9/0045
D785,688 S * 5/2017 Matsuda D15/199

(71) Applicants: **Takeshi Kobayashi**, Yokohama (JP);
Masaharu Nakamura, Yokohama (JP);
Akira Sugimori, Yokohama (JP)

(Continued)

FOREIGN PATENT DOCUMENTS

(72) Inventors: **Takeshi Kobayashi**, Yokohama (JP);
Masaharu Nakamura, Yokohama (JP);
Akira Sugimori, Yokohama (JP)

FR 1465709 A * 1/1967 B25J 9/1005

OTHER PUBLICATIONS

(73) Assignee: **RICOH COMPANY, LTD.**, Tokyo (JP)

Hitachi's new labor-intensive robot could replace some workers in warehouses, posted on japantimes.co.jp, posted Aug. 26, 2015, no production date given, [online], [site visited Sep. 7, 2017], Available from Internet, <URL: https://www.japantimes.co.jp/news/2015/08/26/business/tech/hitachis-new-labor-intensive-robot-replace-workers-warehouses/#.WbG.*

(**) **Term:** **15 Years**

Primary Examiner — Melanie H Tung
Assistant Examiner — Fritzgerald L Butac
(74) *Attorney, Agent, or Firm* — Oblon, McClelland,
Maier & Neustadt, L.L.P.

(21) Appl. No.: **29/579,144**

(22) Filed: **Sep. 28, 2016**

(30) **Foreign Application Priority Data**

Aug. 12, 2016 (JP) 2016-017323

(51) **LOC (11) Cl.** **15-99**

(52) **U.S. Cl.**
USPC **D15/199**

(58) **Field of Classification Search**
USPC D8/34, 104, 499; D15/10, 17, 28, 76,
D15/122, 123, 126, 128, 130, 140, 142;
D26/44, 60-66, 113, 120, 122, 138,
D26/140-142, 152, 155
CPC B25J 15/00; B25J 15/0004; B25J 15/02;
B25J 15/06; B25J 15/0616; B25J 9/00;
B25J 9/10; B25J 9/4005; B25J 9/1015

See application file for complete search history.

(57) **CLAIM**

The ornamental design for a robot hand, as shown and described.

DESCRIPTION

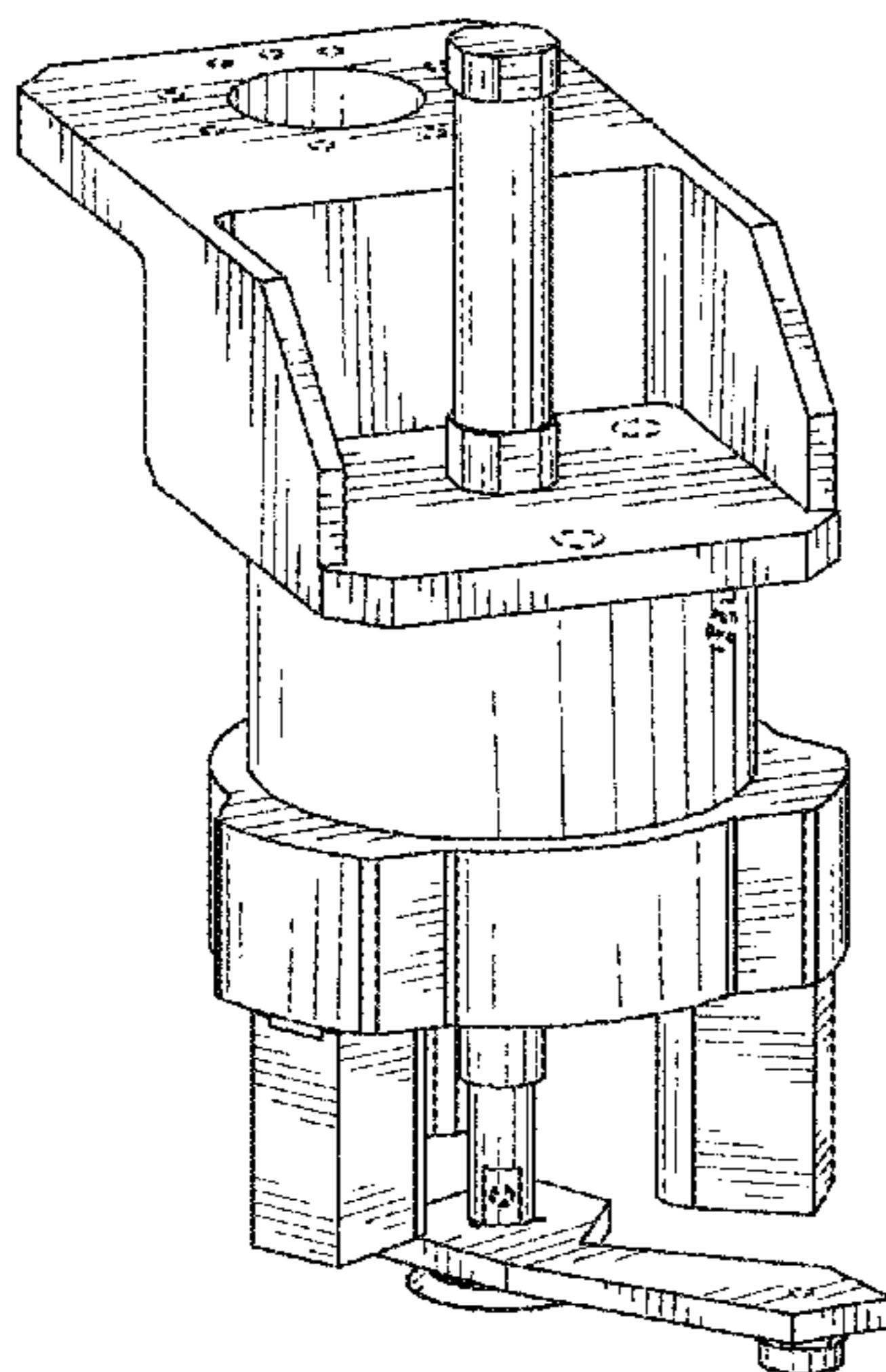
FIG. 1 is a front, top, right side perspective view of a robot hand in an extended position, according to our design; FIG. 2 is a right side, front, top perspective view thereof; FIG. 3 is a bottom, right side, front perspective view, in an extended position thereof; FIG. 4 is a front elevational view thereof; FIG. 5 is a rear elevational view thereof; FIG. 6 is a right side elevational view thereof; FIG. 7 is a left side elevational view thereof; FIG. 8 is top elevational view thereof; and, FIG. 9 is a bottom elevational view thereof. The broken lines in the figures show portions of a robot hand that form no part of the claimed design.

(56) **References Cited**

U.S. PATENT DOCUMENTS

D443,287 S * 6/2001 Kawahara D15/199
D554,161 S * 10/2007 Geise D15/123
7,387,066 B2 * 6/2008 Geise B30B 9/321
100/227
D781,122 S * 3/2017 Zimmerman D15/28
D781,943 S * 3/2017 Ries D15/148

1 Claim, 9 Drawing Sheets



(56)

References Cited

U.S. PATENT DOCUMENTS

D790,618 S * 6/2017 Ke D15/199
2006/0248960 A1* 11/2006 Liskow B25J 15/00
73/856
2017/0095856 A1* 4/2017 Liao B65G 47/90

* cited by examiner

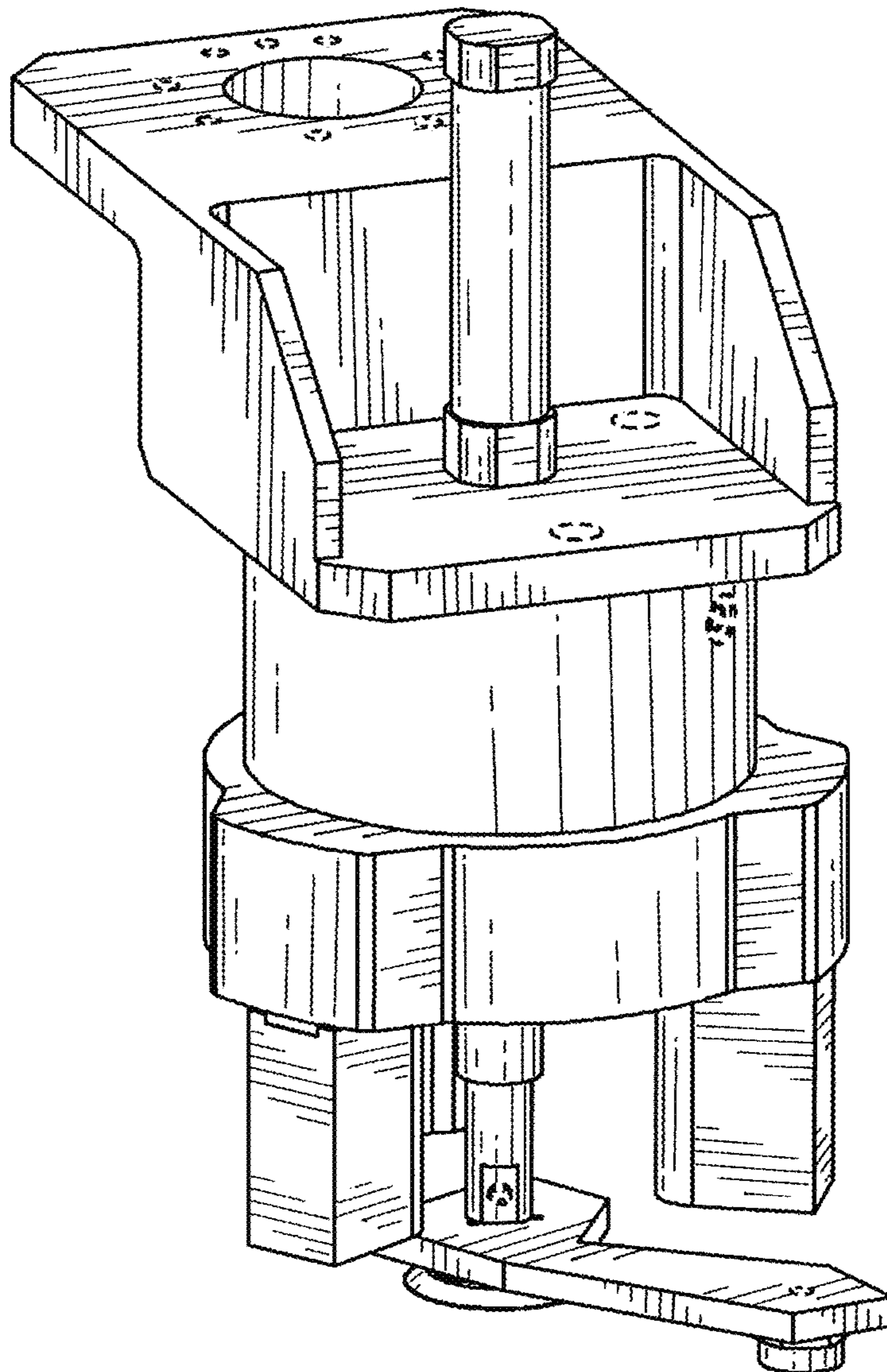


FIG. 1

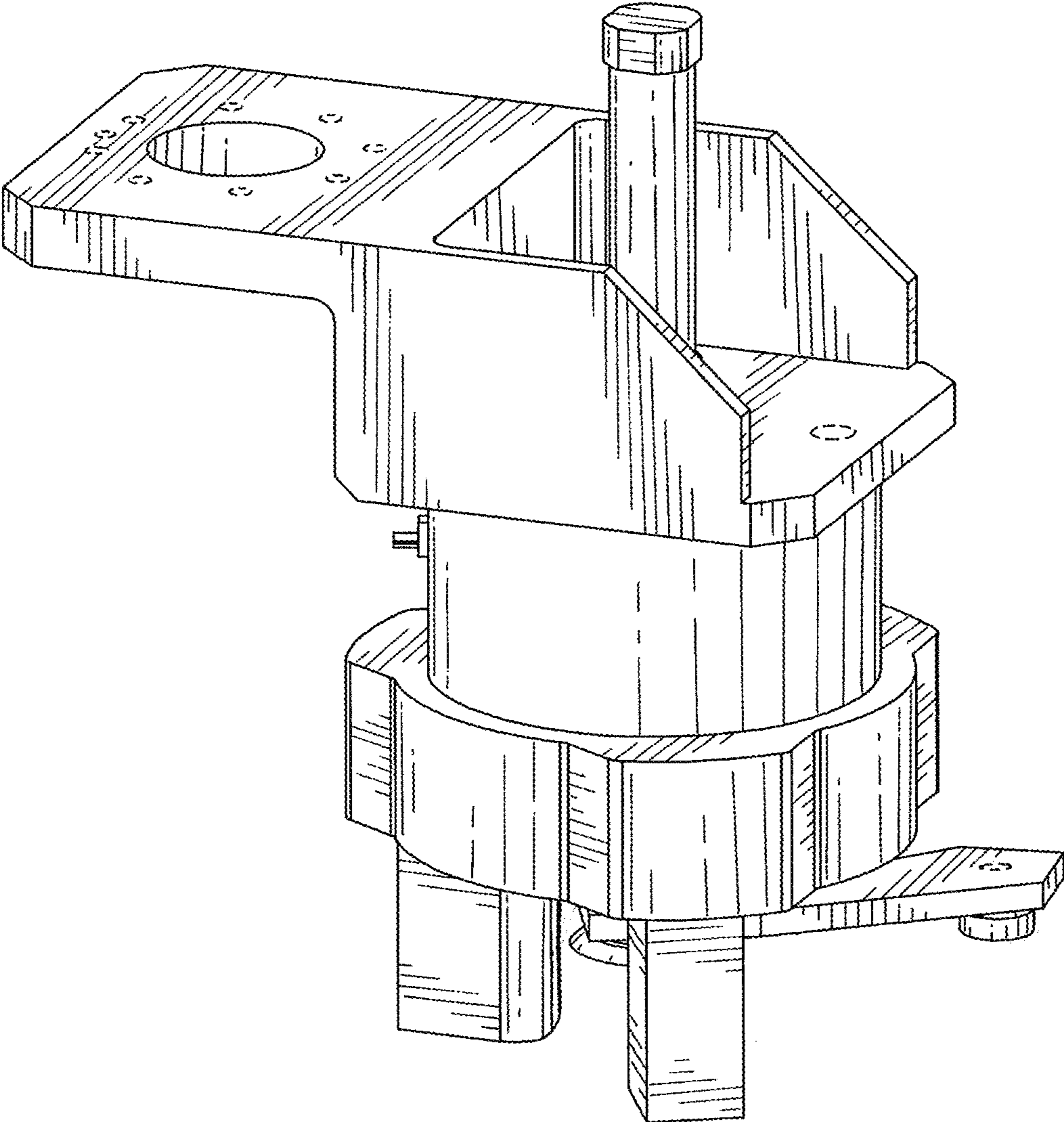


FIG. 2

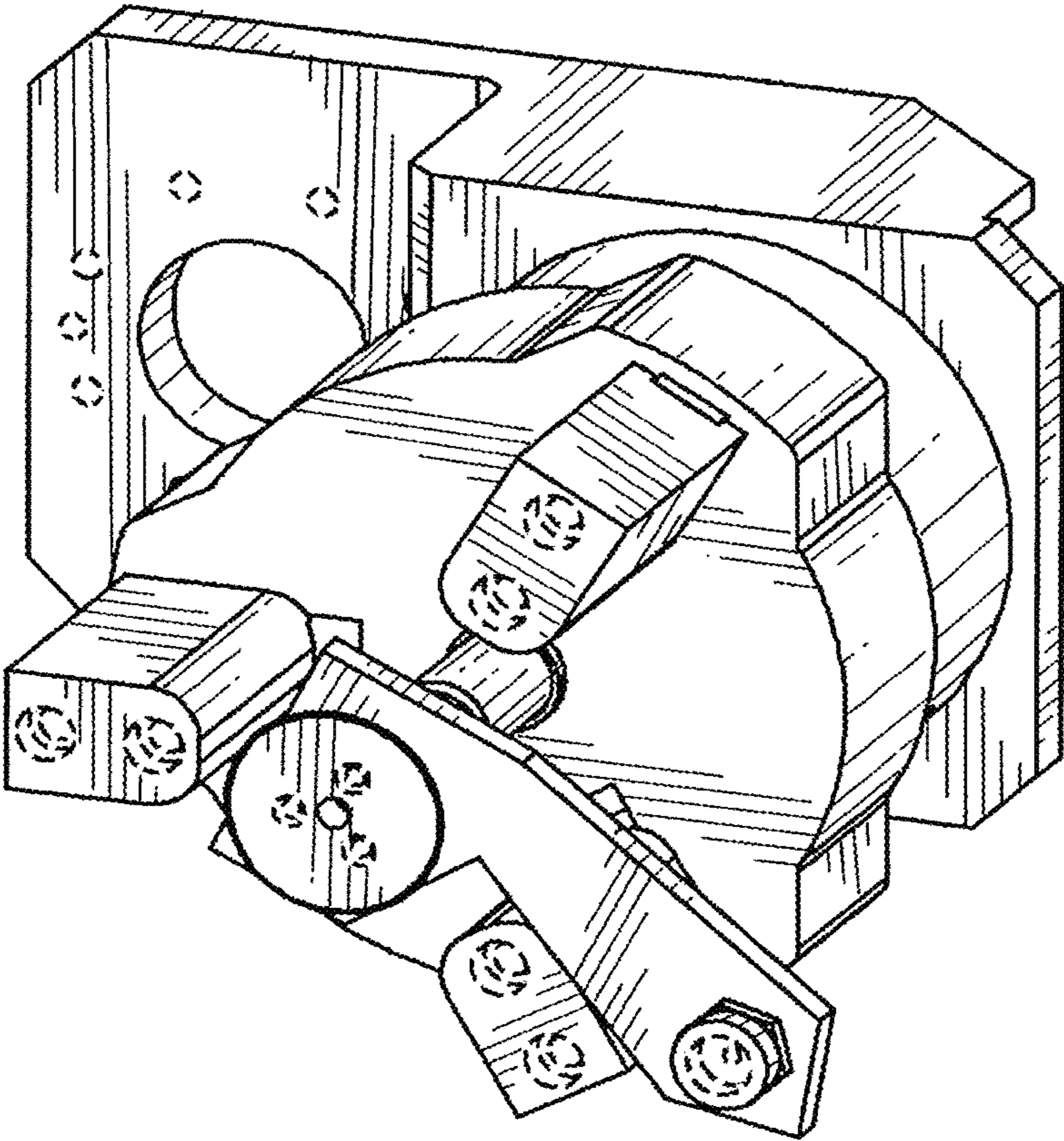


FIG. 3

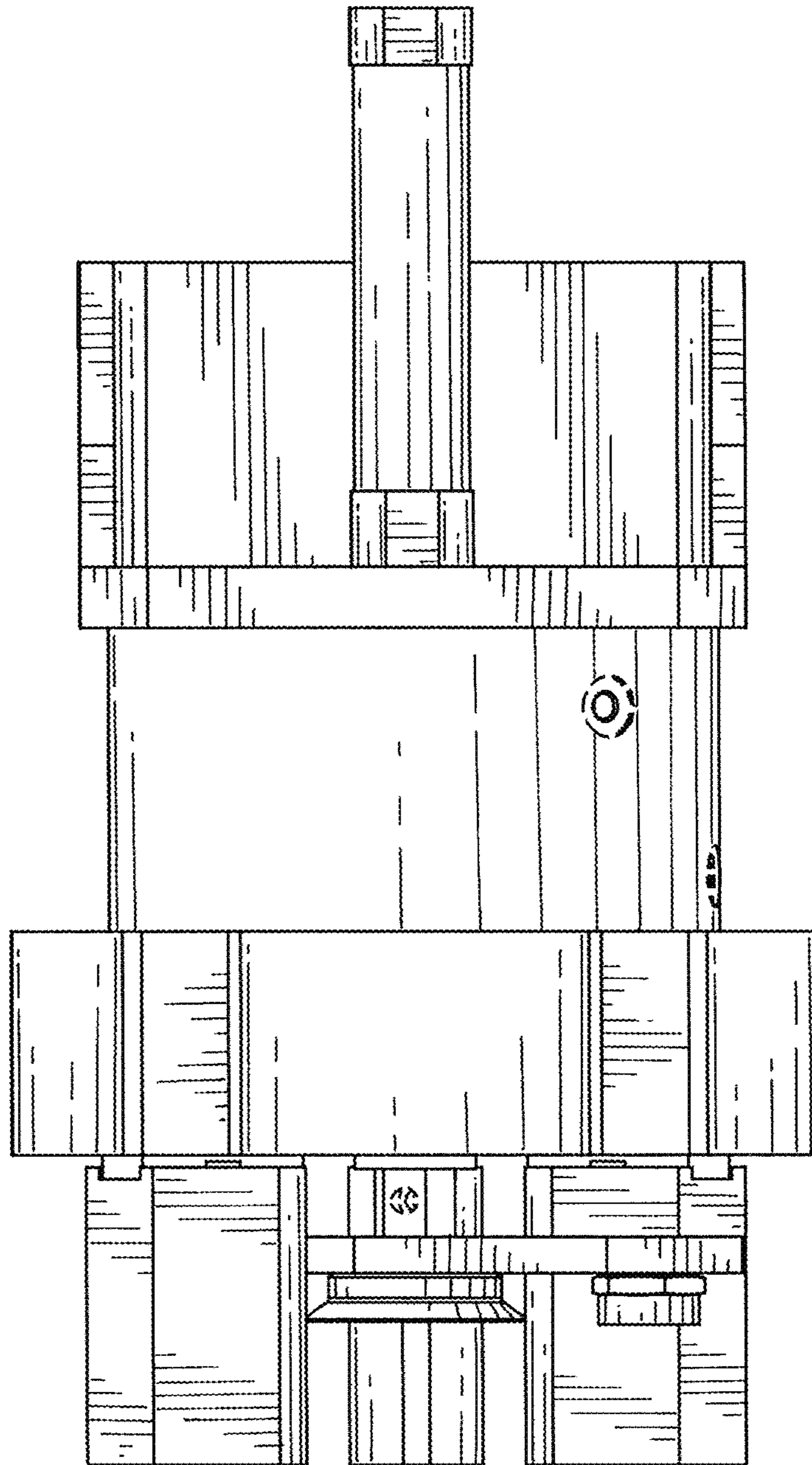


FIG. 4

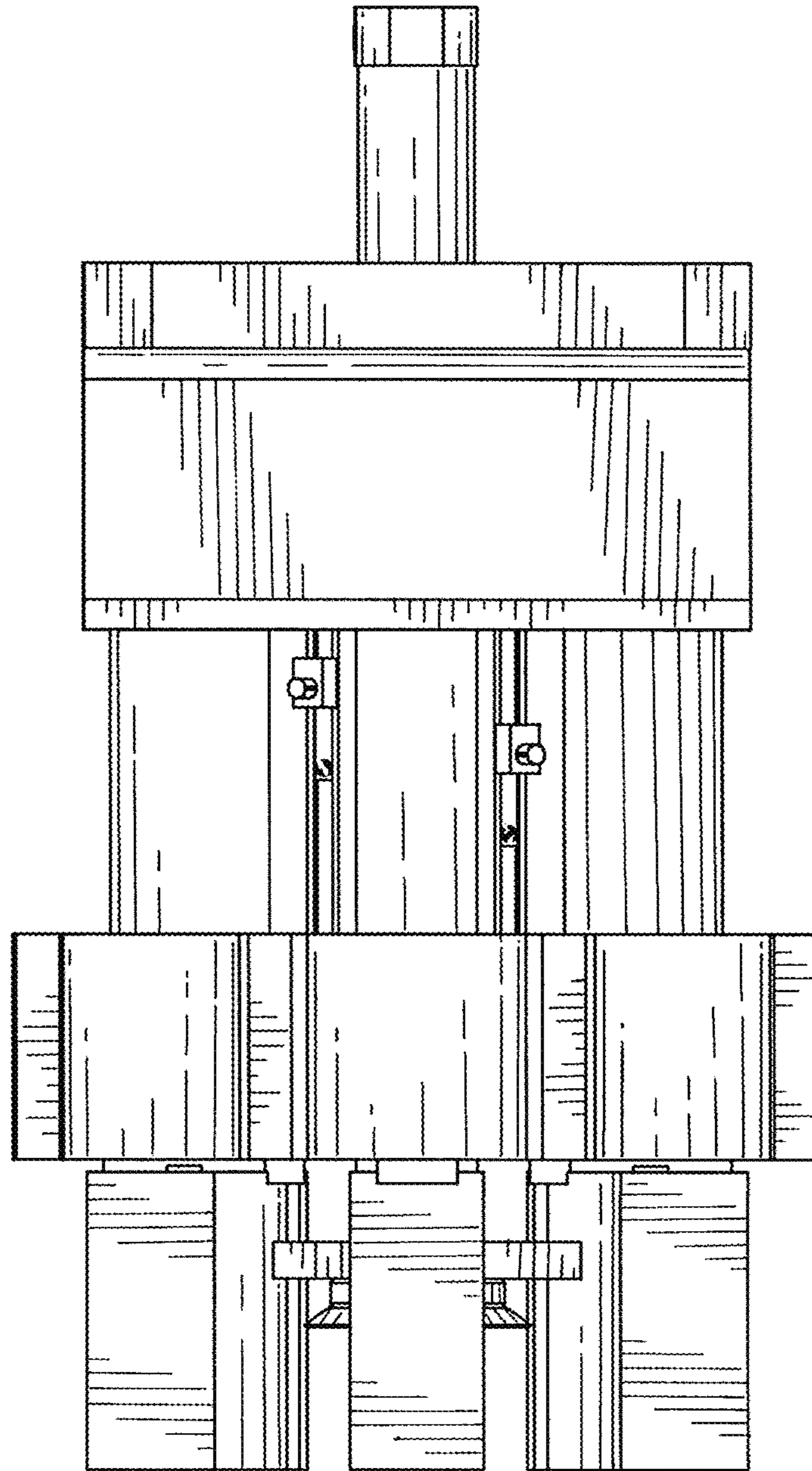


FIG. 5

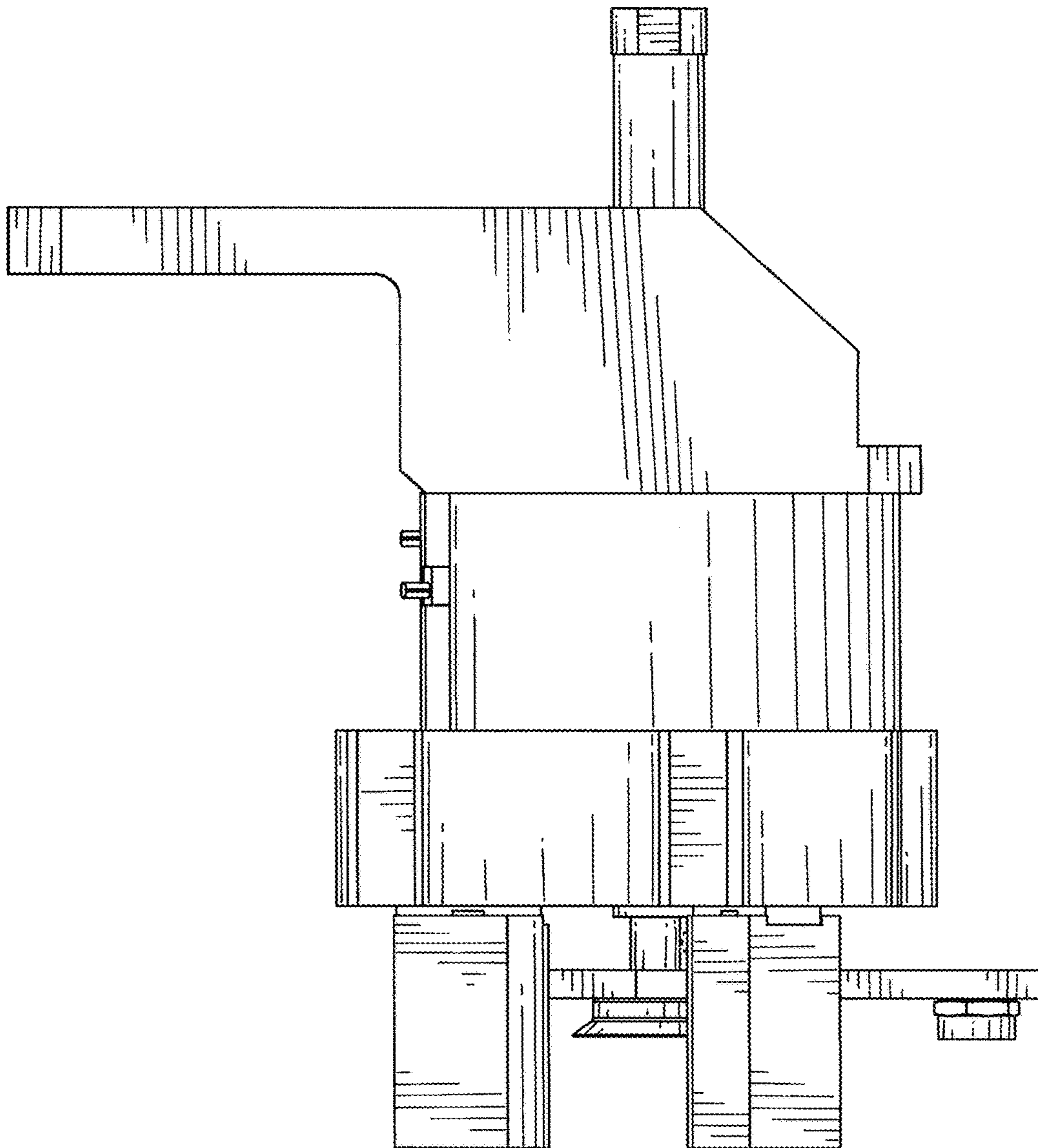


FIG. 6

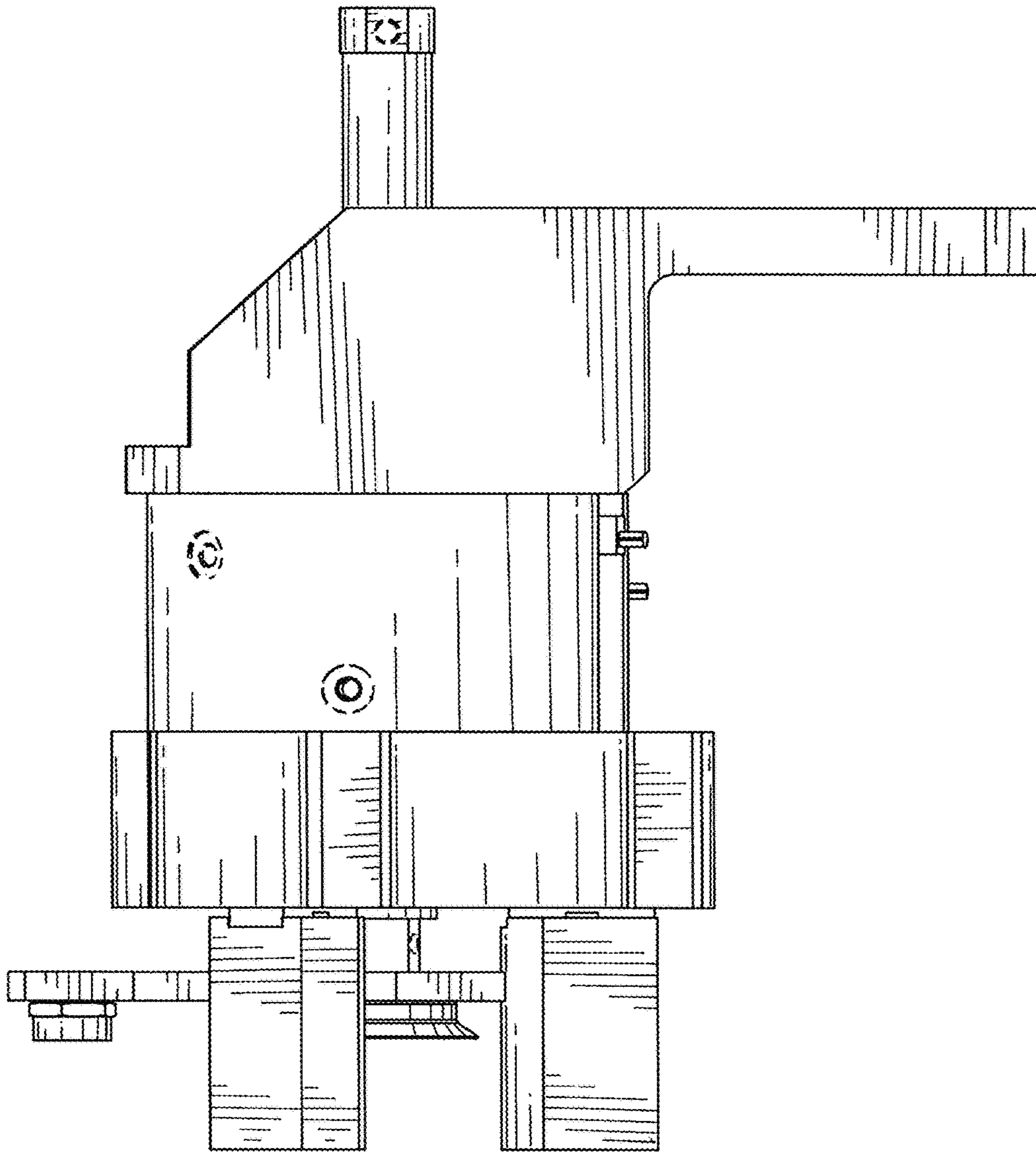


FIG. 7

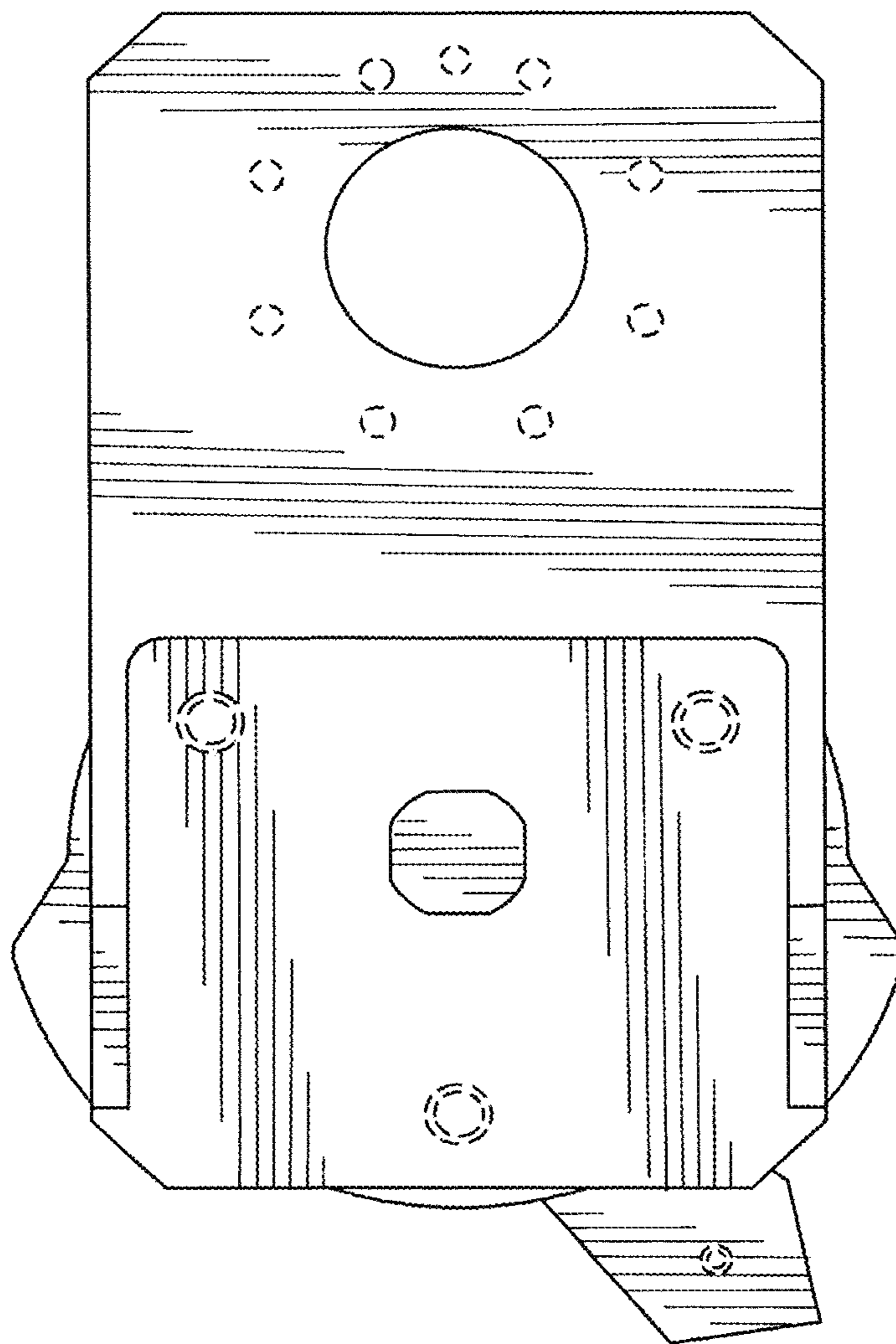


FIG. 8

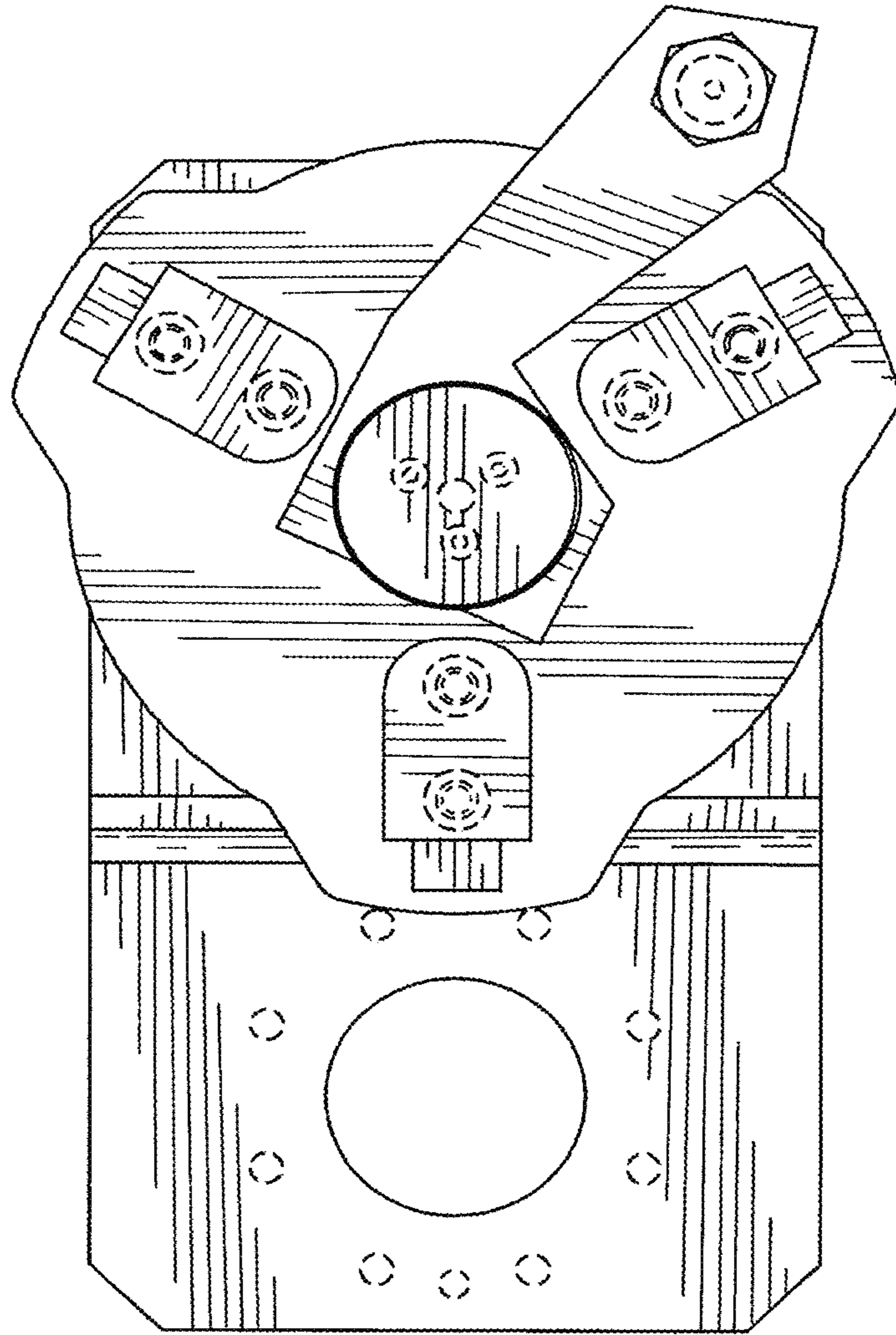


FIG. 9