



US00D819100S

(12) **United States Design Patent** (10) **Patent No.:** **US D819,100 S**
Lin (45) **Date of Patent:** **** May 29, 2018**

(54) **LINEAR ACTUATOR**

OTHER PUBLICATIONS

(71) Applicant: **TIMOTION TECHNOLOGY CO., LTD.**, New Taipei (TW)

TiMotion TA15 Series Linear Actuator, posted on timotion.com, no posted date given, no production date given, [online], [site visited May 16, 2017], Available from Internet, <UR: http://www.timotion.com/product.php?ProductID=41>.*

(72) Inventor: **Yu-Chang Lin**, New Taipei (TW)

Progressive Automations Linear Actuator, posted on actuatorzone.com, no posted date given, no production date given, [online], [site visited 0/16/2017], Available from Internet, <URL: https://www.actuatorzone.com/electric-linear-actuator#!prettyPhoto>.*

(73) Assignee: **TIMOTION TECHNOLOGY CO., LTD.**, New Taipei (TW)

Linear Actuator (GF44), posted on ecvv.com, no posted date given, no production date given, [online], [site visited May 16, 2017], Available from Internet, <URL: http://www.ecvv.com/product/1410784.html>.*

(**) Term: **15 Years**

(21) Appl. No.: **29/577,366**

* cited by examiner

(22) Filed: **Sep. 12, 2016**

(51) **LOC (11) Cl.** **15-99**

Primary Examiner — Melanie H Tung

(52) **U.S. Cl.**

Assistant Examiner — Fitzgerald L Butac

USPC **D15/148**

(74) *Attorney, Agent, or Firm* — Chun-Ming Shih; HDLS IPR Services

(58) **Field of Classification Search**

USPC D12/345; D13/118, 158, 162, 184;
D15/1-5, 7, 9, 143, 148, 149, 199
CPC B66F 3/18; F16H 19/04; F16H 57/039;
H01F 7/066

See application file for complete search history.

(57) **CLAIM**

The ornamental design for a linear actuator, as shown and described.

DESCRIPTION

(56) **References Cited**

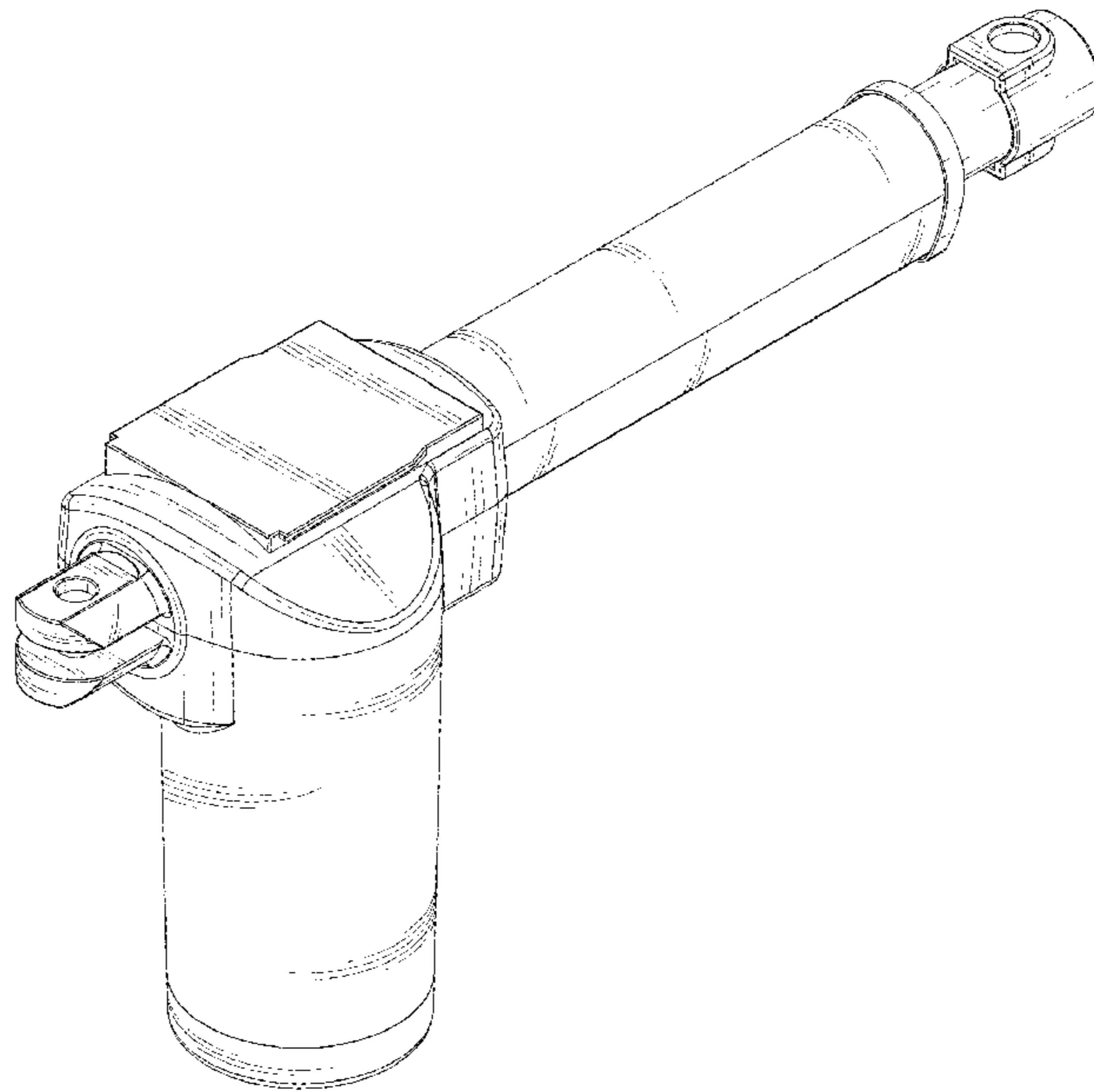
FIG. 1 is a perspective view of a linear actuator showing my new design;

U.S. PATENT DOCUMENTS

D458,284 S *	6/2002	Landerholm	D15/143
D514,146 S *	1/2006	Haneball	D15/143
D589,991 S *	4/2009	Chen	D15/143
D595,753 S *	7/2009	Tseng	D15/143
D654,524 S *	2/2012	Iversen	D15/199
D656,975 S *	4/2012	Tseng	D15/143
8,448,540 B2 *	5/2013	Chiang	F16H 25/20 310/20
D785,061 S *	4/2017	Gong	D15/148
D785,062 S *	4/2017	Gong	D15/148

FIG. 2 is a front view thereof;
FIG. 3 is a rear view thereof;
FIG. 4 is a left side view thereof;
FIG. 5 is a right side view thereof;
FIG. 6 is a top view thereof;
FIG. 7 is a bottom view thereof; and,
FIG. 8 is second perspective view showing the linear actuator.

1 Claim, 8 Drawing Sheets



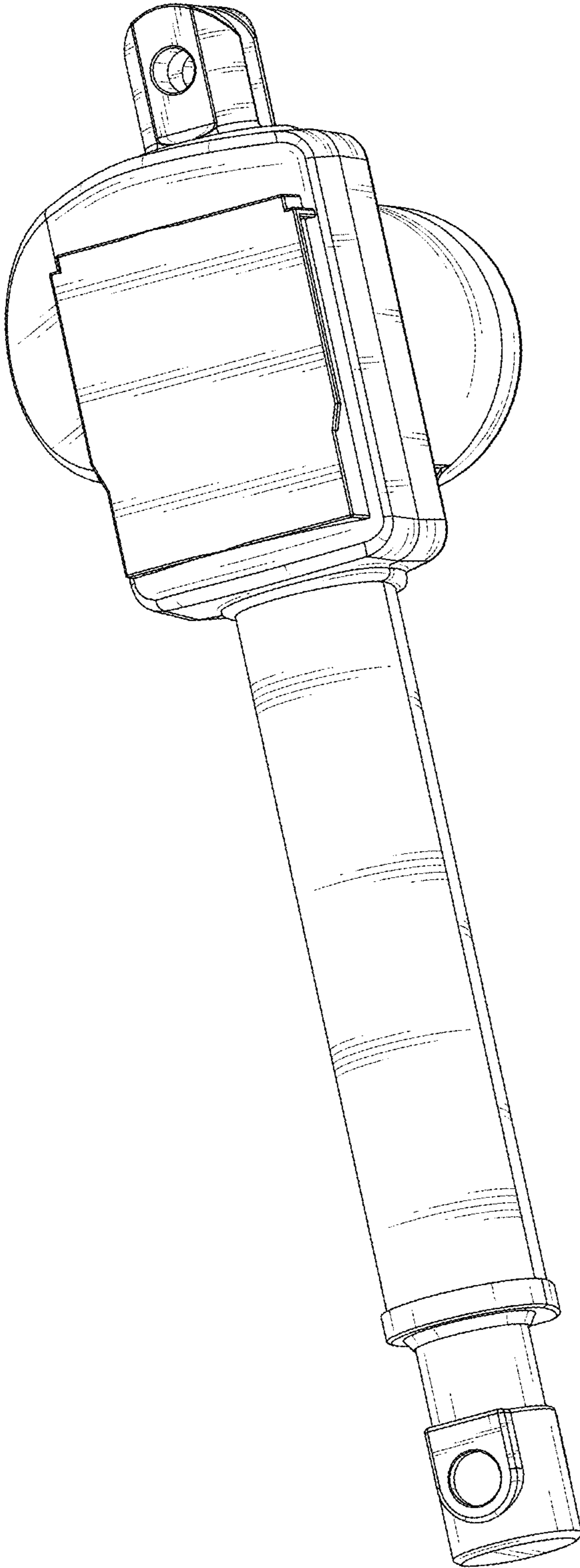


FIG.1

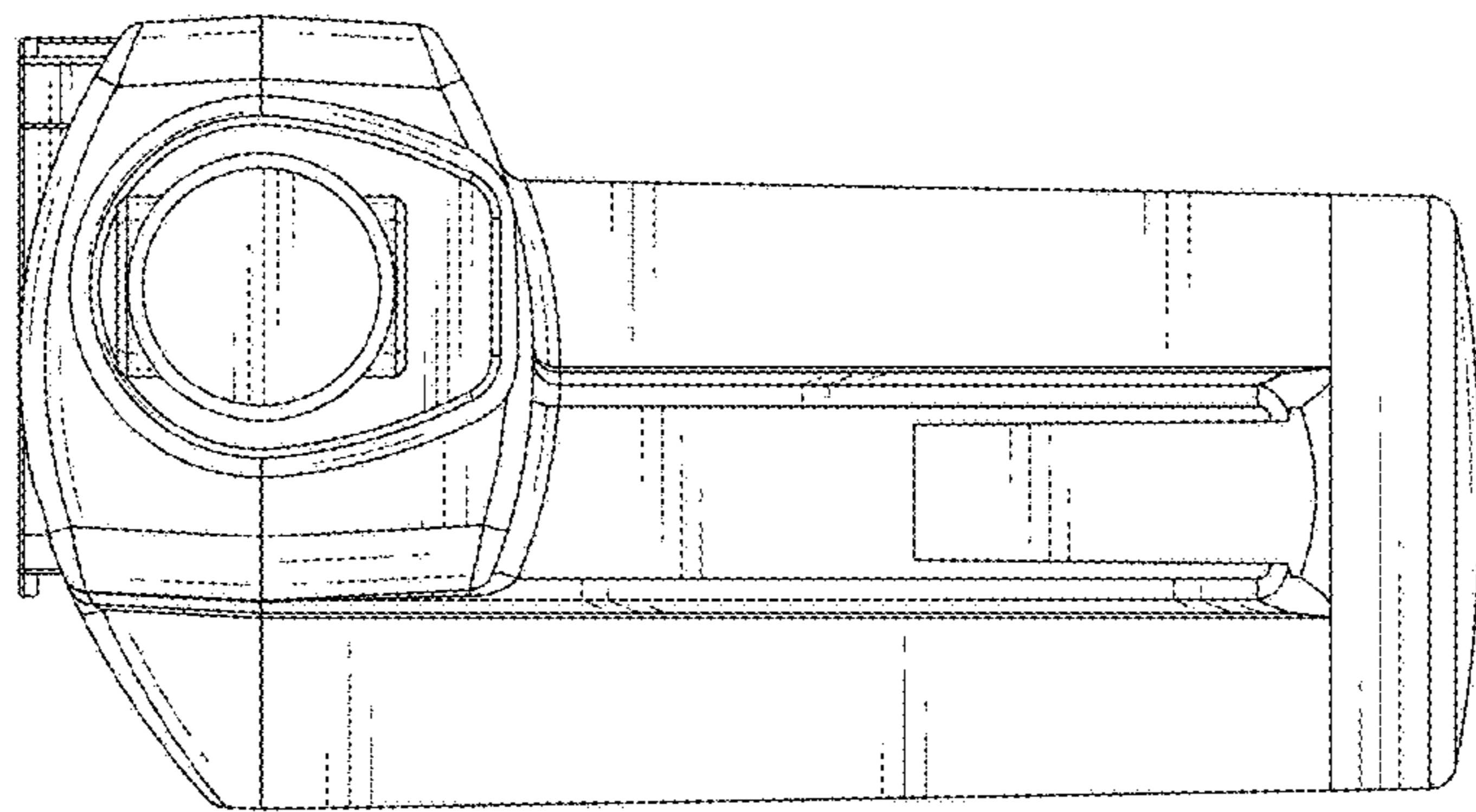


FIG.2

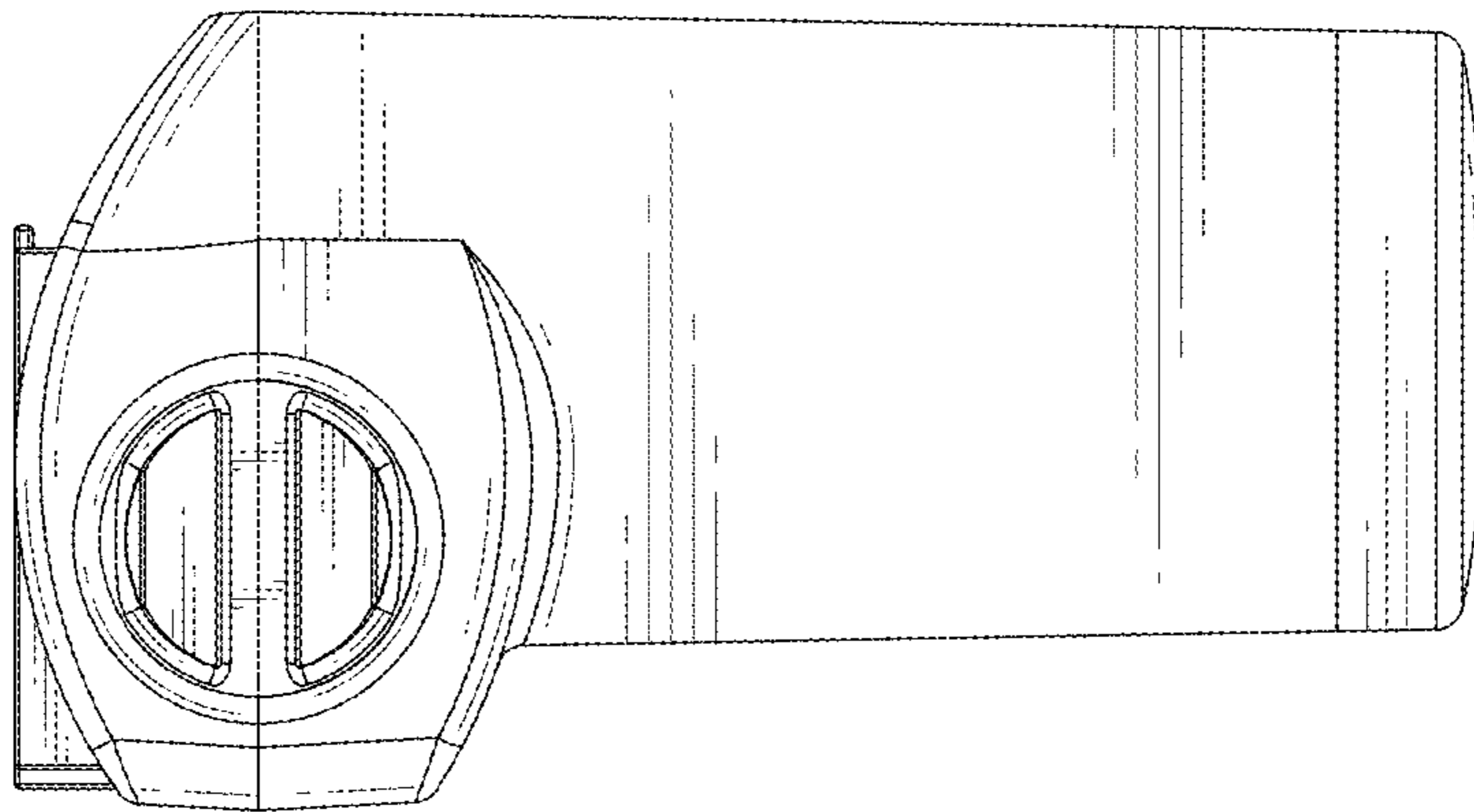


FIG.3

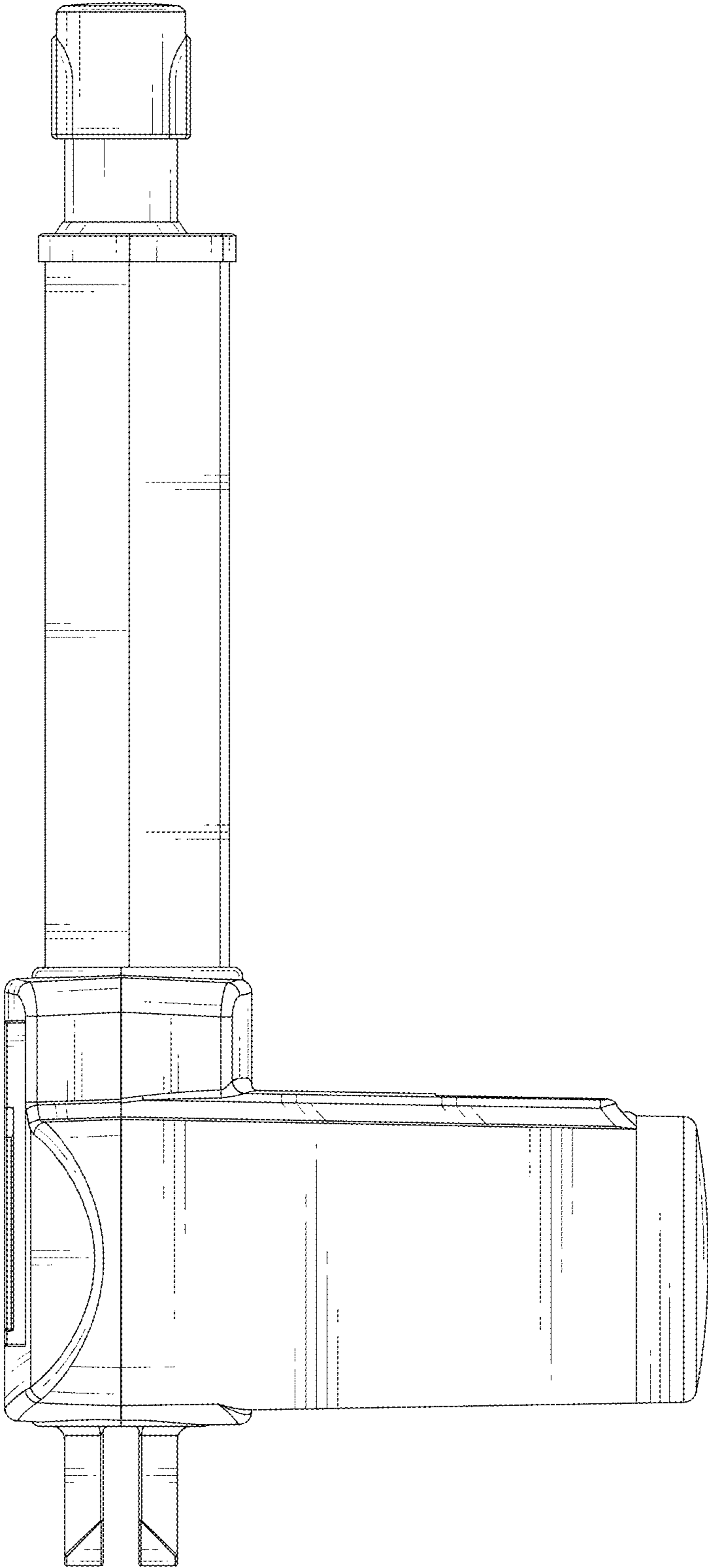


FIG.4

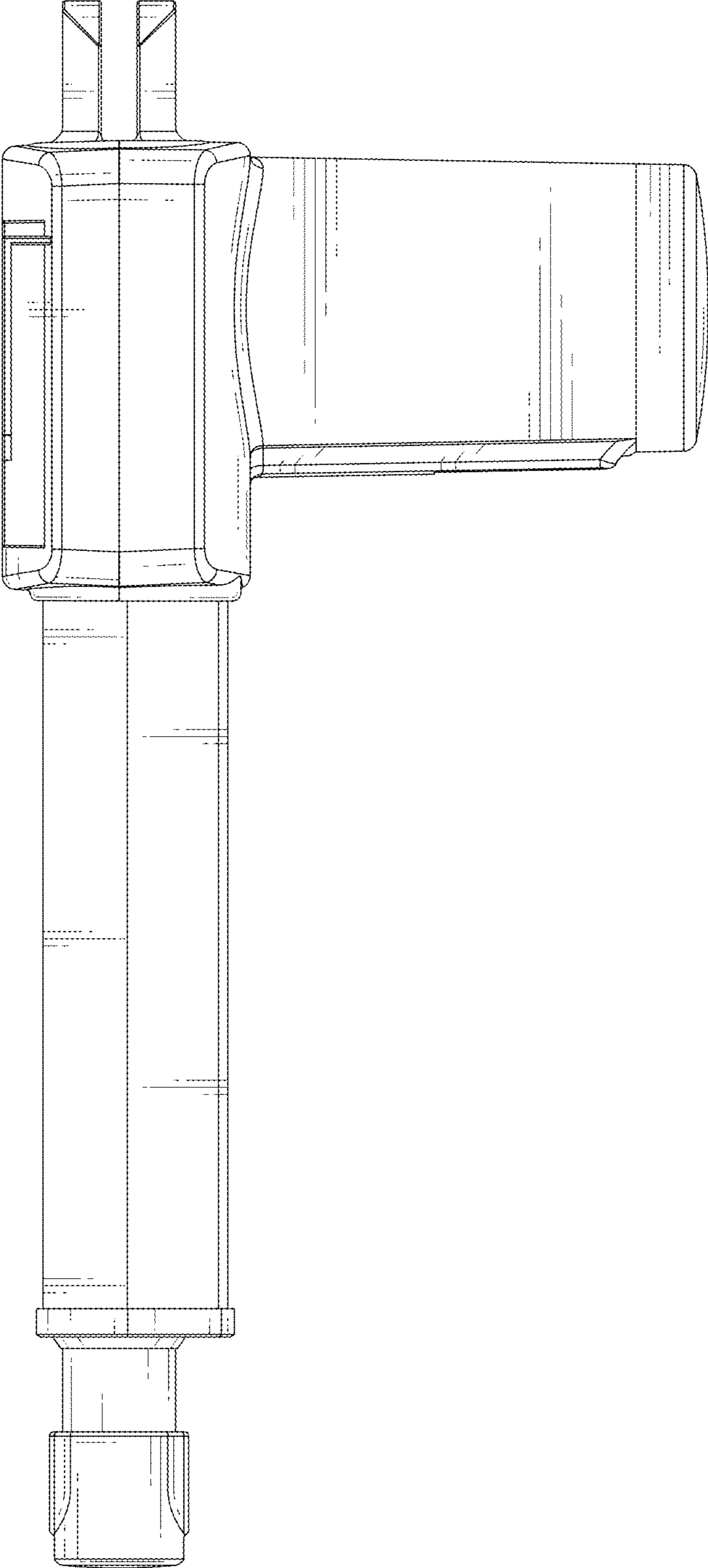


FIG. 5

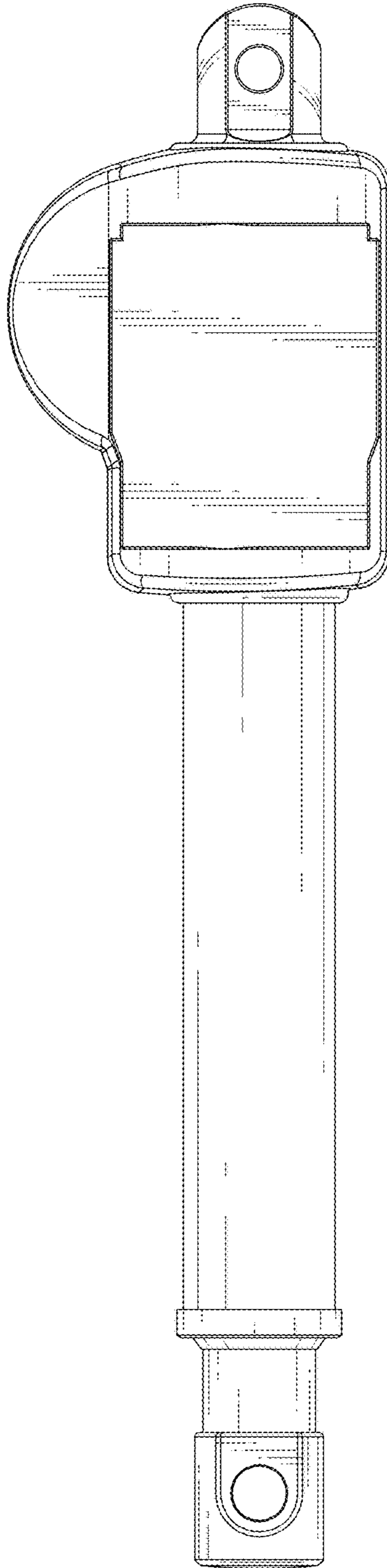


FIG. 6

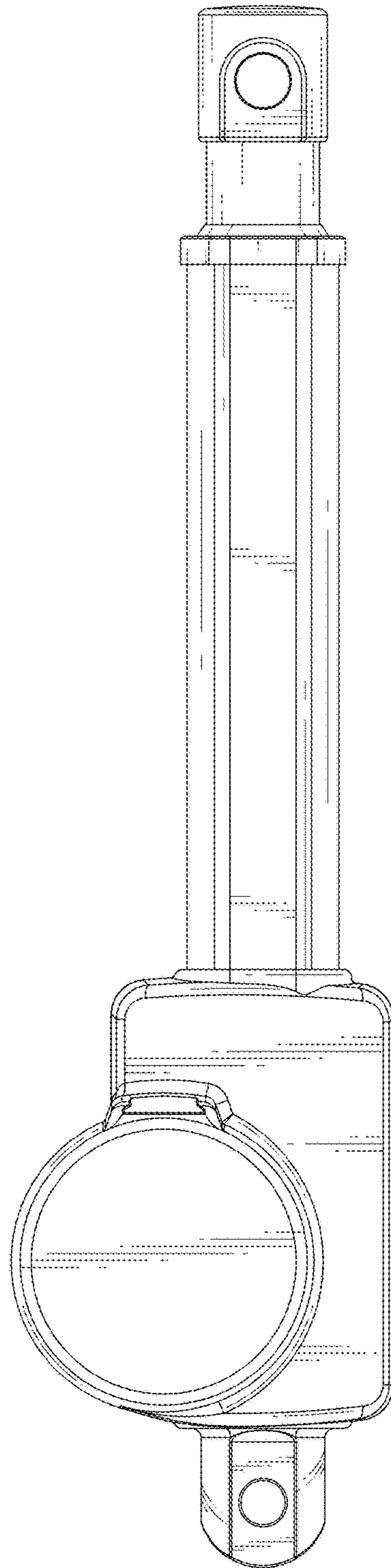


FIG.7

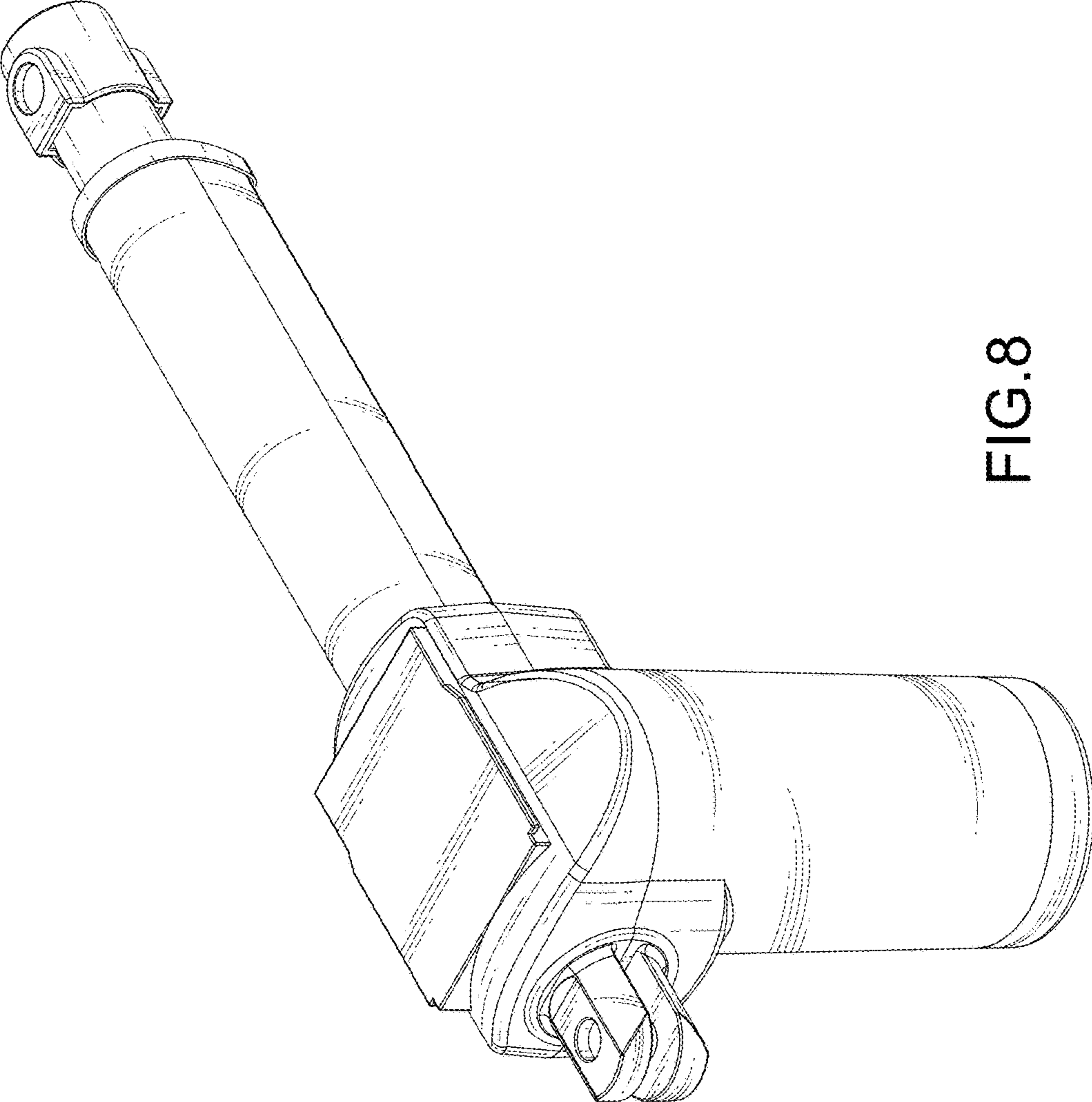


FIG. 8