



US00D819099S

(12) **United States Design Patent** (10) **Patent No.:** **US D819,099 S**  
**Andersson et al.** (45) **Date of Patent:** **\*\* May 29, 2018**

(54) **IMPELLER FOR AN AGITATOR OR MIXER**

D335,274 S \* 5/1993 Beckerer, Jr. .... D12/215  
D341,608 S \* 11/1993 Fries ..... D15/147  
5,297,938 A \* 3/1994 Von Essen ..... B01F 7/00341  
366/330.2

(71) Applicant: **Sulzer Management AG**, Winterthur (CH)

(Continued)

(72) Inventors: **Mikael Andersson**, Göteborg (SE);  
**Erik Blechingberg**, Göteborg (SE)

**OTHER PUBLICATIONS**

(73) Assignee: **SULZER MANAGEMENT AG**, Winterthur (CH)

Stir-Pak 316 Stainless Steel three-blade propeller, posted on coleparmer.com, earliest Q&A posted on May 15, 2010, no production date given, [online], [site visited Aug. 3, 2017], Available from Internet, <URL: [https://www.coleparmer.com/i/stir-pak-316-stainless-steel-three-blade-propeller-3-dia-x-5-16-bore-dia/0455260?PubID=UX&persist=true&ip=no&gc.\\*](https://www.coleparmer.com/i/stir-pak-316-stainless-steel-three-blade-propeller-3-dia-x-5-16-bore-dia/0455260?PubID=UX&persist=true&ip=no&gc.*)>

(Continued)

(\*\*) Term: **15 Years**

(21) Appl. No.: **29/570,767**

(22) Filed: **Jul. 12, 2016**

*Primary Examiner* — Melanie H Tung

*Assistant Examiner* — Fritzgerald L Butac

(30) **Foreign Application Priority Data**

Feb. 5, 2016 (EM) ..... 002974626

(74) *Attorney, Agent, or Firm* — Global IP Counselors, LLP

(51) **LOC (11) Cl.** ..... **15-04**

(52) **U.S. Cl.**  
USPC ..... **D15/147; D7/368**

(57) **CLAIM**

(58) **Field of Classification Search**  
USPC ..... D7/371, 412, 679, 688, 694; D8/2;  
D12/14, 214; D15/32, 130, 131;  
D23/377, 413; D24/220; D34/3  
CPC ..... A47J 43/00; A47J 43/04; A47J 43/046  
See application file for complete search history.

The ornamental design for an impeller for an agitator or a mixer, as shown and described.

**DESCRIPTION**

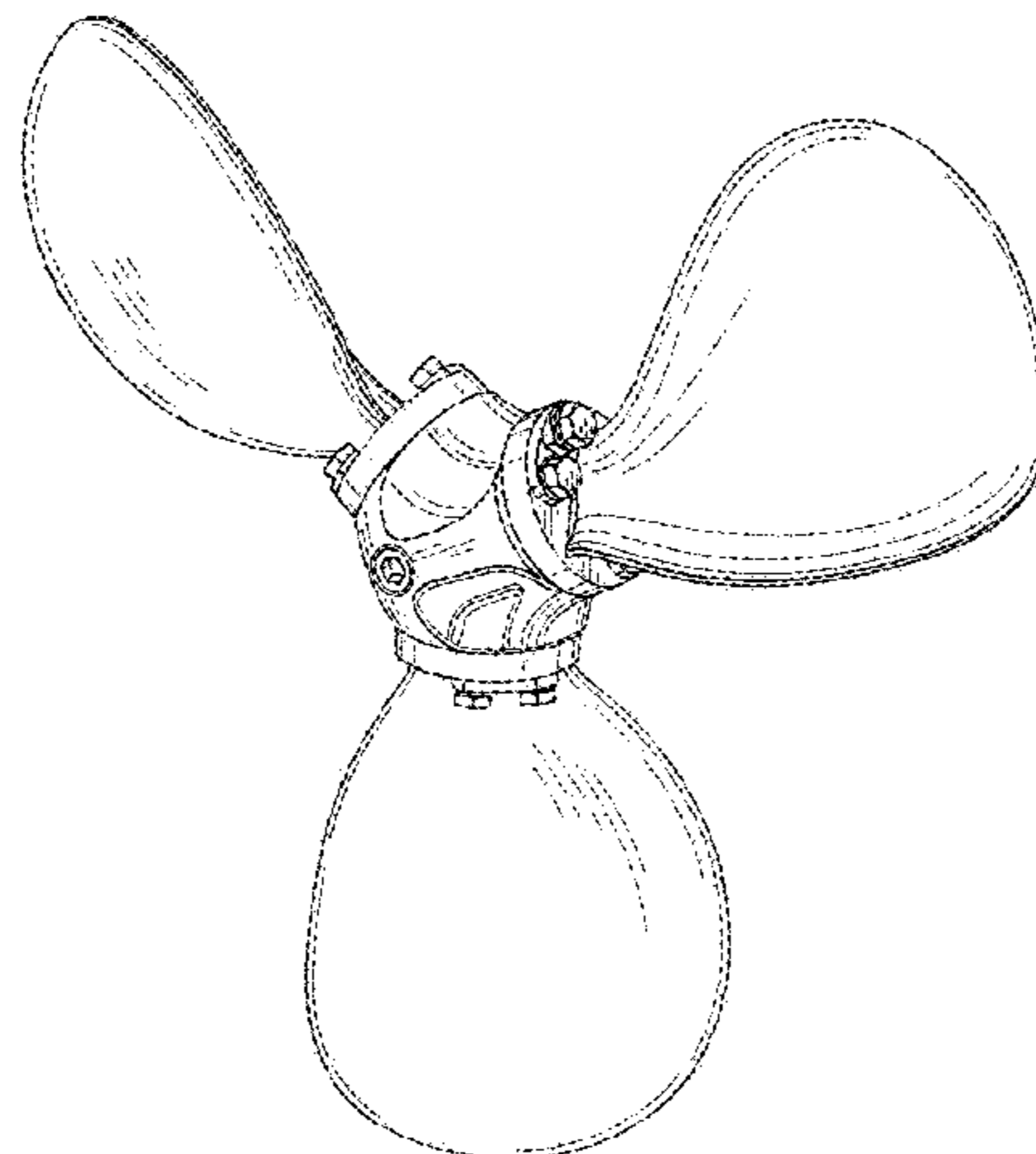
(56) **References Cited**

**U.S. PATENT DOCUMENTS**

399,809 A \* 3/1889 White ..... A47J 43/046  
209/191  
D282,371 S \* 1/1986 Johansson ..... D15/122  
D283,156 S \* 3/1986 Mandelli ..... D12/214  
D291,911 S \* 9/1987 Fries ..... D23/207  
D316,700 S \* 5/1991 Morrison ..... D12/214  
D317,147 S \* 5/1991 Hannon ..... D12/214  
D324,201 S \* 2/1992 Hannon ..... D12/214  
D324,364 S \* 3/1992 Hannon ..... D12/214  
5,158,434 A \* 10/1992 Weetman ..... B01F 7/00341  
366/330.5

FIG. 1 is a front perspective view of the impeller in accordance with our new design;  
FIG. 2 is a front view of the impeller in accordance with our new design of FIG. 1;  
FIG. 3 is a rear view of an impeller in accordance with our new design or FIGS. 1 and 2;  
FIG. 4 is a top view of the impeller in accordance with our new design of FIGS. 1 to 3;  
FIG. 5 is a bottom view of the impeller in accordance with our new design of FIGS. 1 to 4;  
FIG. 6 is a left elevational view of the impeller in accordance with our new design of FIGS. 1 to 5; and,  
FIG. 7 is a right elevational view of the impeller in accordance with our new design of FIGS. 1 to 6.

**1 Claim, 7 Drawing Sheets**



(56)

References Cited

U.S. PATENT DOCUMENTS

D353,572 S \* 12/1994 Schlangen ..... D12/214  
 D380,539 S \* 7/1997 Liu ..... D23/377  
 D393,618 S \* 4/1998 Gustavsson ..... D12/214  
 D398,976 S \* 9/1998 Green ..... D23/366  
 D401,194 S \* 11/1998 Harwood ..... D12/162  
 D419,669 S \* 1/2000 Shinshi ..... D23/411  
 D431,627 S \* 10/2000 Etschel ..... D12/214  
 D432,621 S \* 10/2000 Etschel ..... D12/214  
 D436,647 S \* 1/2001 Etschel ..... D23/200  
 D442,906 S \* 5/2001 Prokop ..... D12/214  
 D456,502 S \* 4/2002 Small ..... D23/413  
 D456,894 S \* 5/2002 Small ..... D23/413  
 D473,567 S \* 4/2003 Campbell ..... D15/5  
 D510,998 S \* 10/2005 Parker ..... D23/411  
 D539,413 S \* 3/2007 Parker ..... D23/411  
 D556,893 S \* 12/2007 Lee ..... D23/413  
 D556,894 S \* 12/2007 Lee ..... D23/413  
 D557,401 S \* 12/2007 Lee ..... D23/413  
 D560,154 S \* 1/2008 Aplin, Jr. .... D12/214  
 D562,215 S \* 2/2008 Schulze ..... D12/214  
 D575,219 S \* 8/2008 Duffield ..... D12/214  
 D576,538 S \* 9/2008 Schulze ..... D12/214  
 7,507,151 B1 \* 3/2009 Parker ..... F24F 7/025  
 454/341  
 D600,340 S \* 9/2009 Parker ..... D23/413  
 7,637,722 B1 \* 12/2009 Koepsel ..... B63H 1/14  
 416/238  
 D614,757 S \* 4/2010 Noble ..... D23/377  
 D615,181 S \* 5/2010 Lee ..... D23/377  
 D629,736 S \* 12/2010 Humphreys ..... D12/308  
 D658,563 S \* 5/2012 Hwang ..... D12/214  
 D671,203 S \* 11/2012 Wang ..... D23/377  
 D677,611 S \* 3/2013 Janecke ..... D12/214  
 D677,612 S \* 3/2013 Janecke ..... D12/214  
 D690,750 S \* 10/2013 Kehoe ..... D15/147  
 D690,751 S \* 10/2013 Kehoe ..... D15/147  
 D697,101 S \* 1/2014 Kehoe ..... D15/147  
 D706,581 S \* 6/2014 Pendleton ..... D7/376  
 D706,705 S \* 6/2014 Long ..... D12/345  
 D709,591 S \* 7/2014 Hoefken ..... D23/200  
 D715,421 S \* 10/2014 Schulzman ..... D23/413  
 D721,800 S \* 1/2015 Busta ..... D23/413  
 D723,997 S \* 3/2015 Foreman ..... D12/214  
 D725,251 S \* 3/2015 Hamada ..... D12/214  
 D725,252 S \* 3/2015 Hamada ..... D12/214  
 D741,468 S \* 10/2015 Ertze ..... D23/377

D743,530 S \* 11/2015 Pan ..... D23/413  
 9,174,180 B2 11/2015 Juha .....  
 D750,213 S \* 2/2016 Schulzman ..... D23/385  
 D755,703 S \* 5/2016 Hanscom ..... D12/16.1  
 D755,946 S \* 5/2016 Arai ..... D23/379  
 D755,947 S \* 5/2016 Arai ..... D23/379  
 D761,184 S \* 7/2016 Xiao ..... D12/214  
 D769,786 S \* 10/2016 Xiao ..... D12/214  
 D772,393 S \* 11/2016 Wang ..... D23/377  
 D776,251 S \* 1/2017 Pickett ..... D23/413  
 D780,902 S \* 3/2017 Gajewski ..... D23/377  
 D782,644 S \* 3/2017 Wang ..... D23/377  
 D783,146 S \* 4/2017 Wang ..... D23/413  
 D785,156 S \* 4/2017 Wang ..... D23/377  
 D785,157 S \* 4/2017 Wang ..... D23/377  
 D787,035 S \* 5/2017 Hamada ..... D23/354  
 D789,508 S \* 6/2017 Wang ..... D23/377  
 D789,509 S \* 6/2017 Wang ..... D23/377  
 D789,510 S \* 6/2017 Wang ..... D23/377  
 D790,430 S \* 6/2017 Ali ..... D12/214  
 D792,318 S \* 7/2017 Du ..... D12/214  
 2006/0147259 A1 \* 7/2006 Hu ..... F16D 1/096  
 403/343  
 2015/0201809 A1 \* 7/2015 Balasubramanian ... A47J 43/06  
 241/65  
 2016/0296897 A1 \* 10/2016 Marshall ..... B01F 7/00091

OTHER PUBLICATIONS

Sunkaier Agitater impeller / 3-blade / axial-flow, posted on directindustry.com, no posted date given, no production date given, [online], [site visited Aug. 3, 2017], Available from Internet, <URL: <http://www.directindustry.com/prod/sunkaier-industrial-technology-co-ltd/product-132671-1567022.html>>.\*  
 Lightnin 800578 Two-Blade Folding Impeller, posted on coleparmer.com, no posted date given, no production date given, [online], [site visited Aug. 3, 2017], Available from Internet, <URL: <https://www.coleparmer.com/i/lightnin-800578-two-blade-folding-impeller-5-16-bore-2-dia/0454300>>.\*  
 Axial Fan Blade, posted on ecvv.com, posted Jul. 9, 2012, no production date posted, [online], [site visited Aug. 3, 2017], Available from Internet, <URL: <http://www.ecvv.com/product/3188440.html>>.\*  
 Sulzer. "SALOMIX and Scaba Side-Mounted Agitators". Oct. 2014. 8 Pages.  
 Sulzer. "The World Leader in Pumping and Mixing Solutions for the Pulp and Paper Industry". Apr. 2016. 24 Pages.

\* cited by examiner

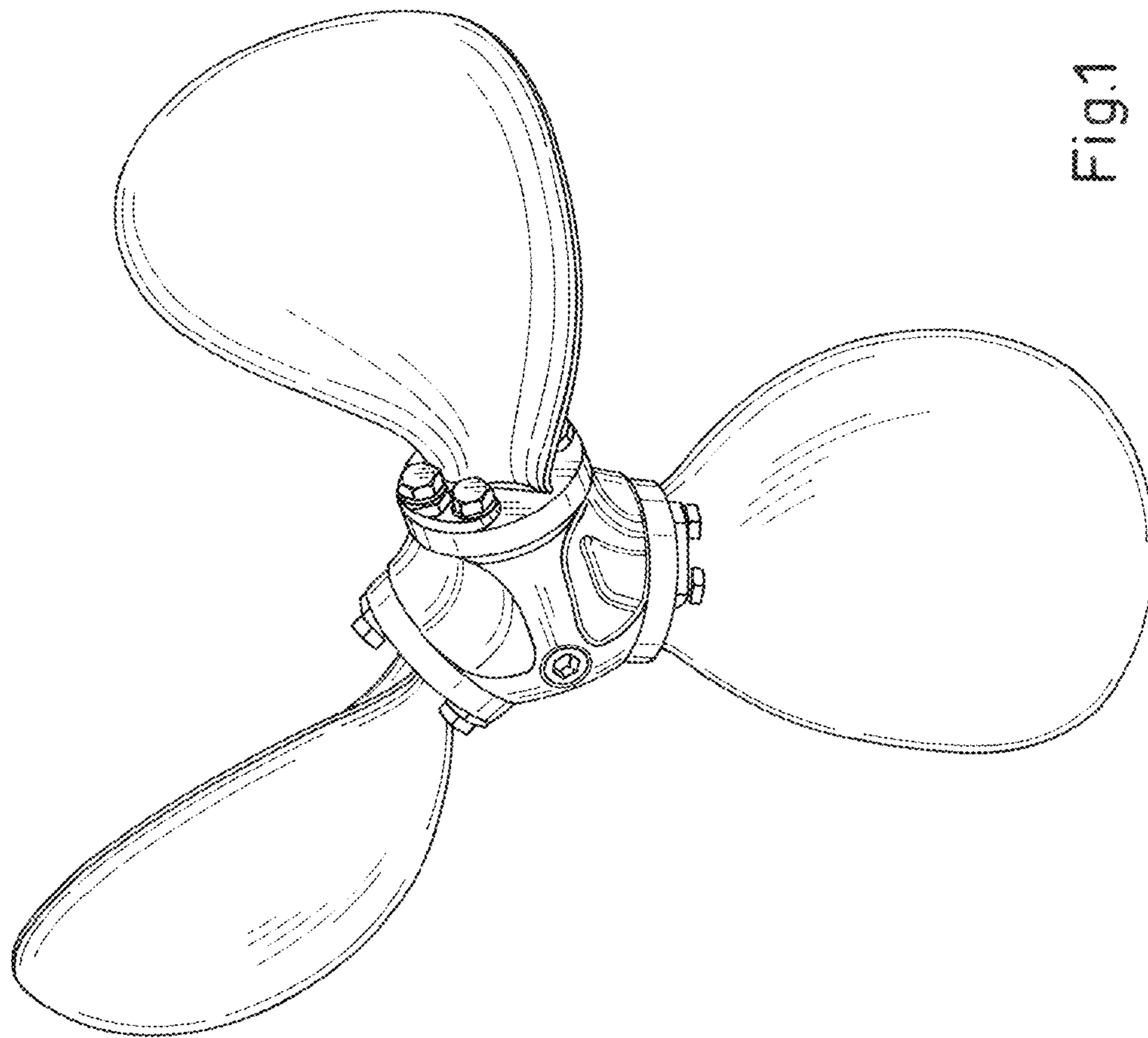


Fig. 1

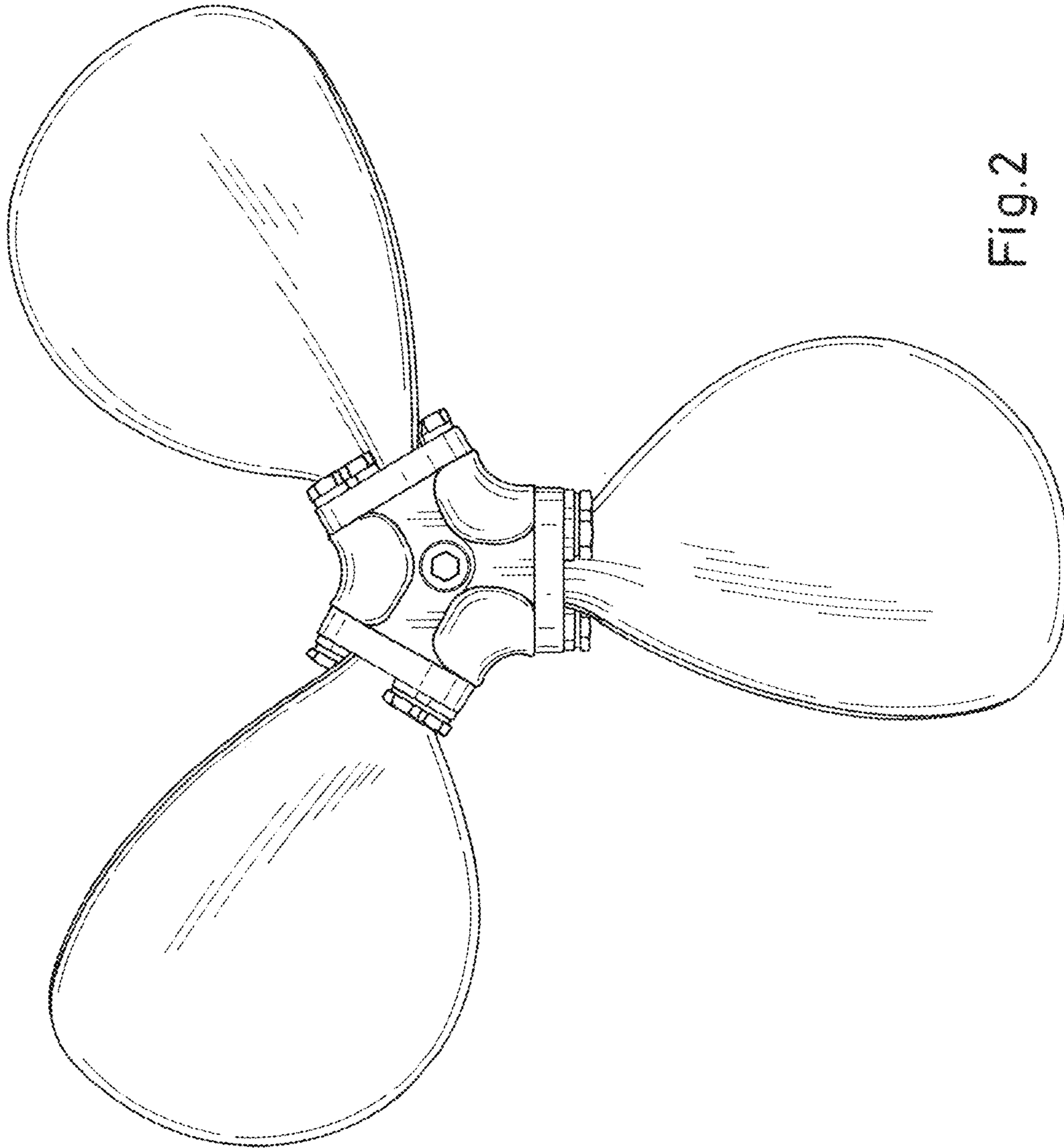


Fig. 2

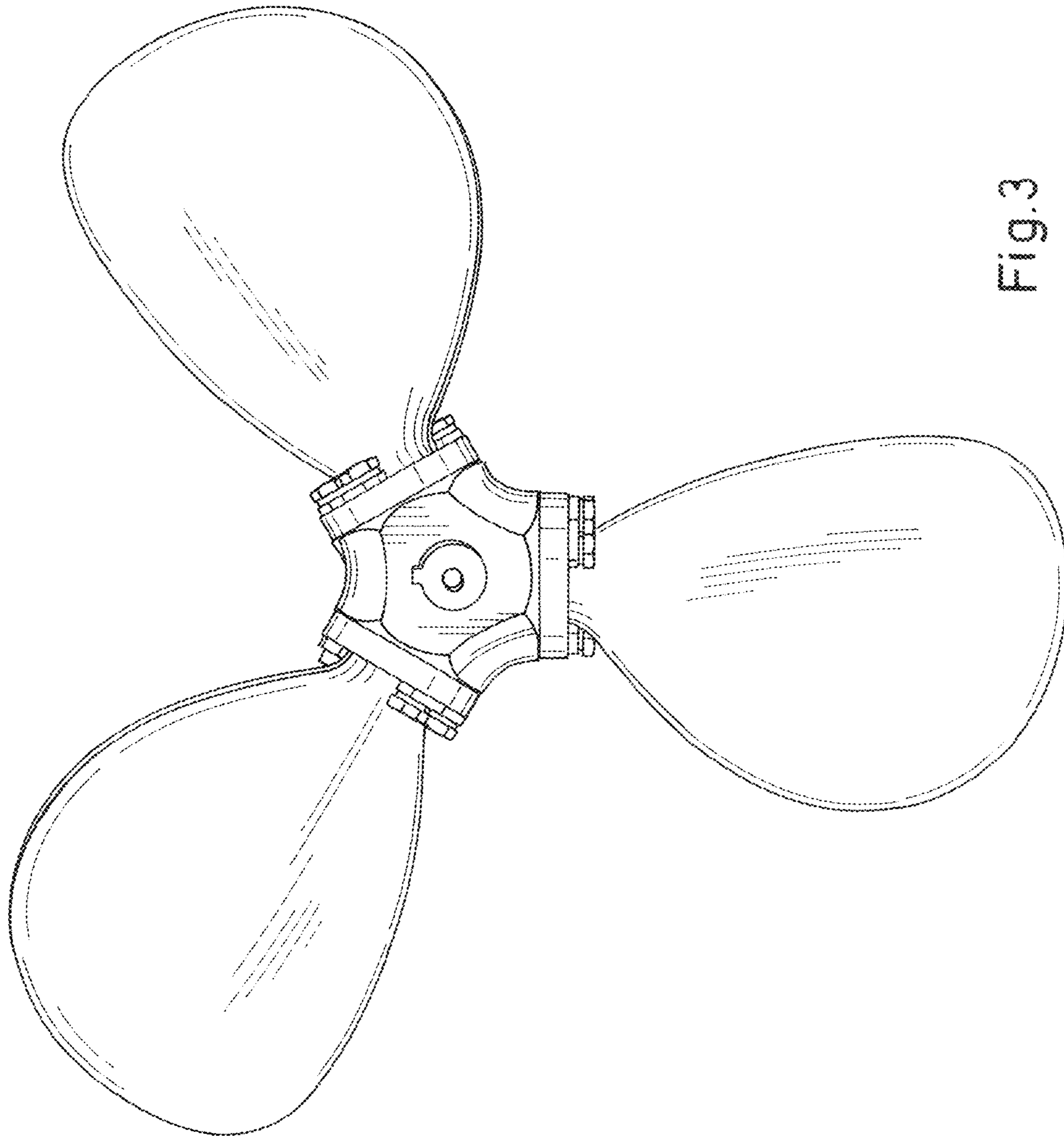


Fig.3

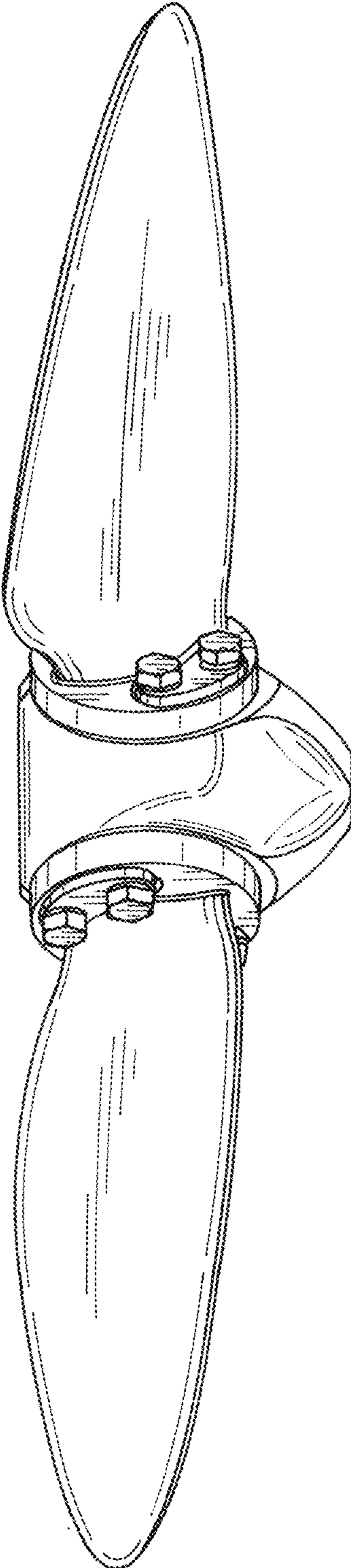


Fig.4

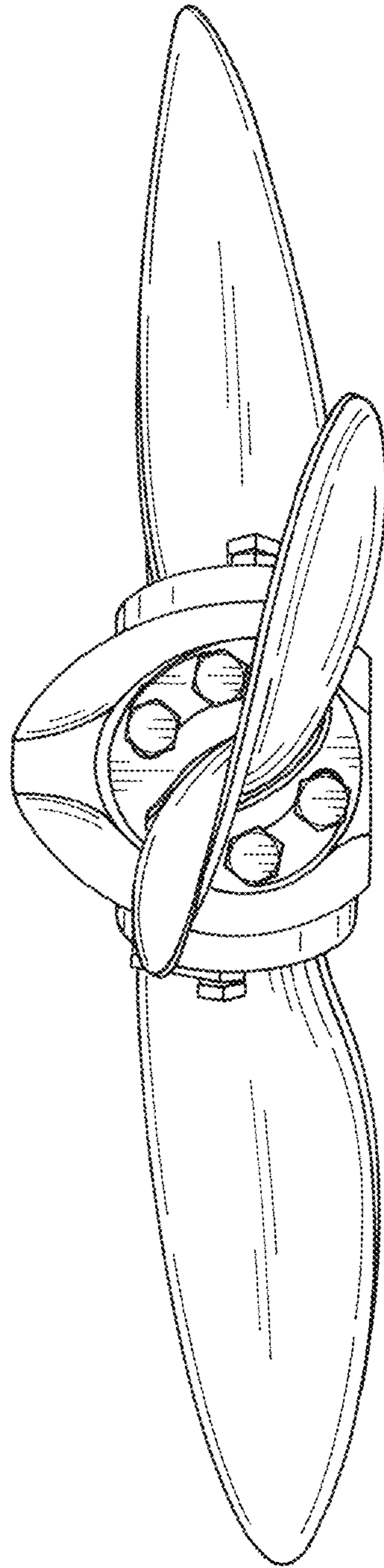


Fig. 5

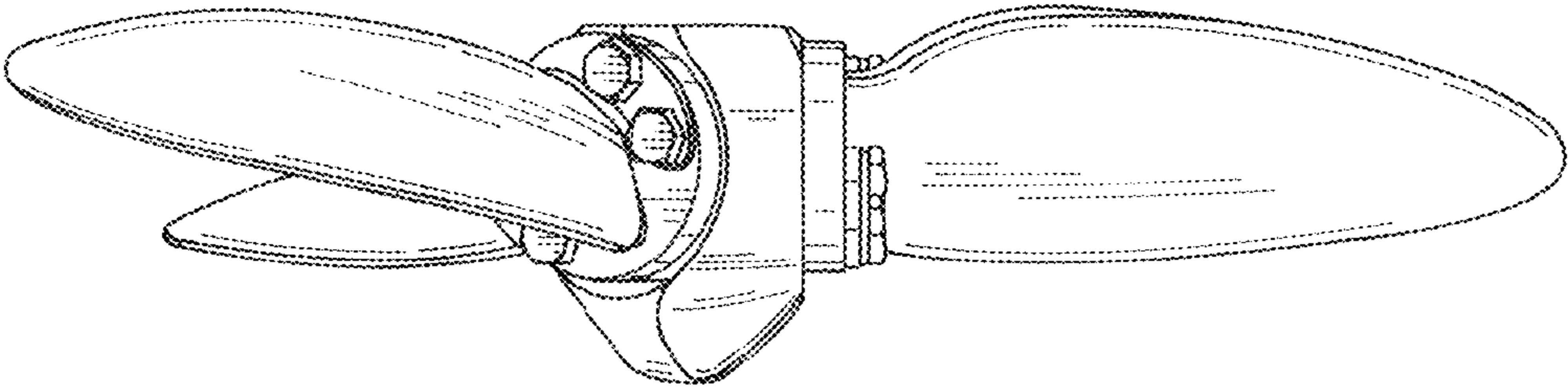


Fig.6



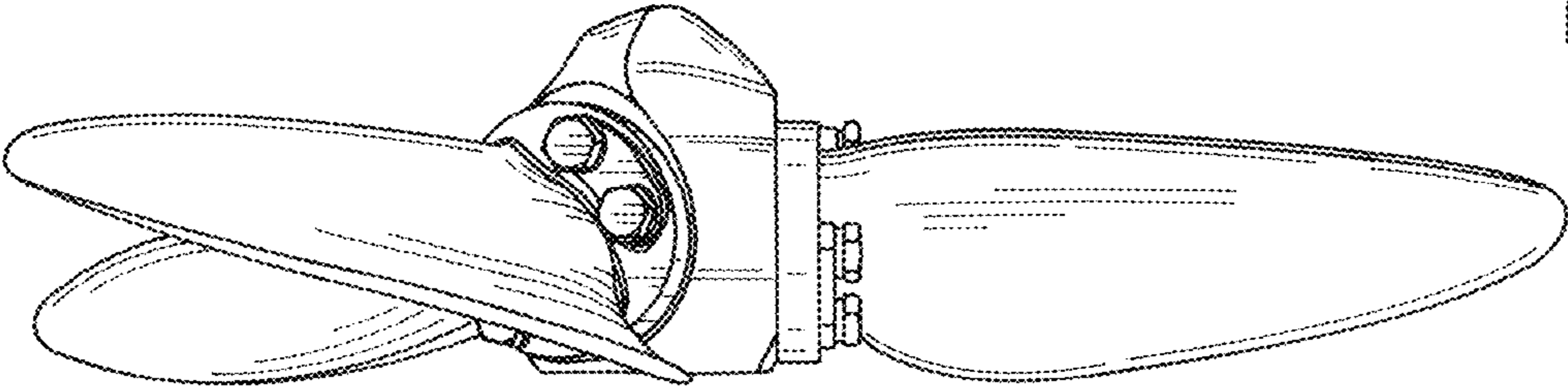


Fig.7