



US00D819098S

(12) **United States Design Patent** (10) **Patent No.:** **US D819,098 S**
Buhr et al. (45) **Date of Patent:** **** May 29, 2018**

(54) **CHISEL** 6,619,756 B1 * 9/2003 Holl E21C 35/18
299/102
(71) Applicant: **Wirtgen GmbH**, Windhagen (DE) D520,035 S * 5/2006 Kammerer D15/139
D627,809 S * 11/2010 Kammerer D15/139
(72) Inventors: **Karsten Buhr**, Willroth (DE); **Andreas**
Jost, Königswinter (DE); **Thomas**
Lehnert, Oberraden (DE); **Cyrus**
Barimani, Königswinter (DE) D636,797 S * 4/2011 Kammerer D15/139
D637,213 S * 5/2011 Kammerer D15/139
D742,948 S * 11/2015 Kenno D15/139
D772,315 S * 11/2016 Friederichs D15/139
9,765,619 B2 * 9/2017 Hahn E21C 35/19
D808,449 S * 1/2018 Buhr D15/139
(73) Assignee: **Wirtgen GmbH** (DE) (Continued)

(**) Term: **15 Years**

FOREIGN PATENT DOCUMENTS

(21) Appl. No.: **29/587,361**

CN 204126648 U 1/2015
CN 204174516 U 2/2015

(22) Filed: **Dec. 13, 2016**

(Continued)

Related U.S. Application Data

OTHER PUBLICATIONS

(63) Continuation of application No. 15/023,718, filed as application No. PCT/EP2014/068499 on Sep. 1, 2014.

Co-pending U.S. Appl. No. 15/023,717, filed Sep. 1, 2014. (not prior art).

(Continued)

(30) Foreign Application Priority Data

Sep. 26, 2013 (DE) 10 2013 110 676

Primary Examiner — Patricia A Palasik

(51) **LOC (11) Cl.** **15-09**

(74) *Attorney, Agent, or Firm* — Lucian Wayne Beavers;
Patterson Intellectual Property Law, PC

(52) **U.S. Cl.**
USPC **D15/139**

(57) **CLAIM**

(58) **Field of Classification Search**
USPC D8/70–74; D14/29, 221, 224; D15/131,
D15/132, 138, 139, 140
CPC B28D 1/186; E21C 35/19
See application file for complete search history.

What is claimed is the ornamental design for a chisel, as shown and described.

DESCRIPTION

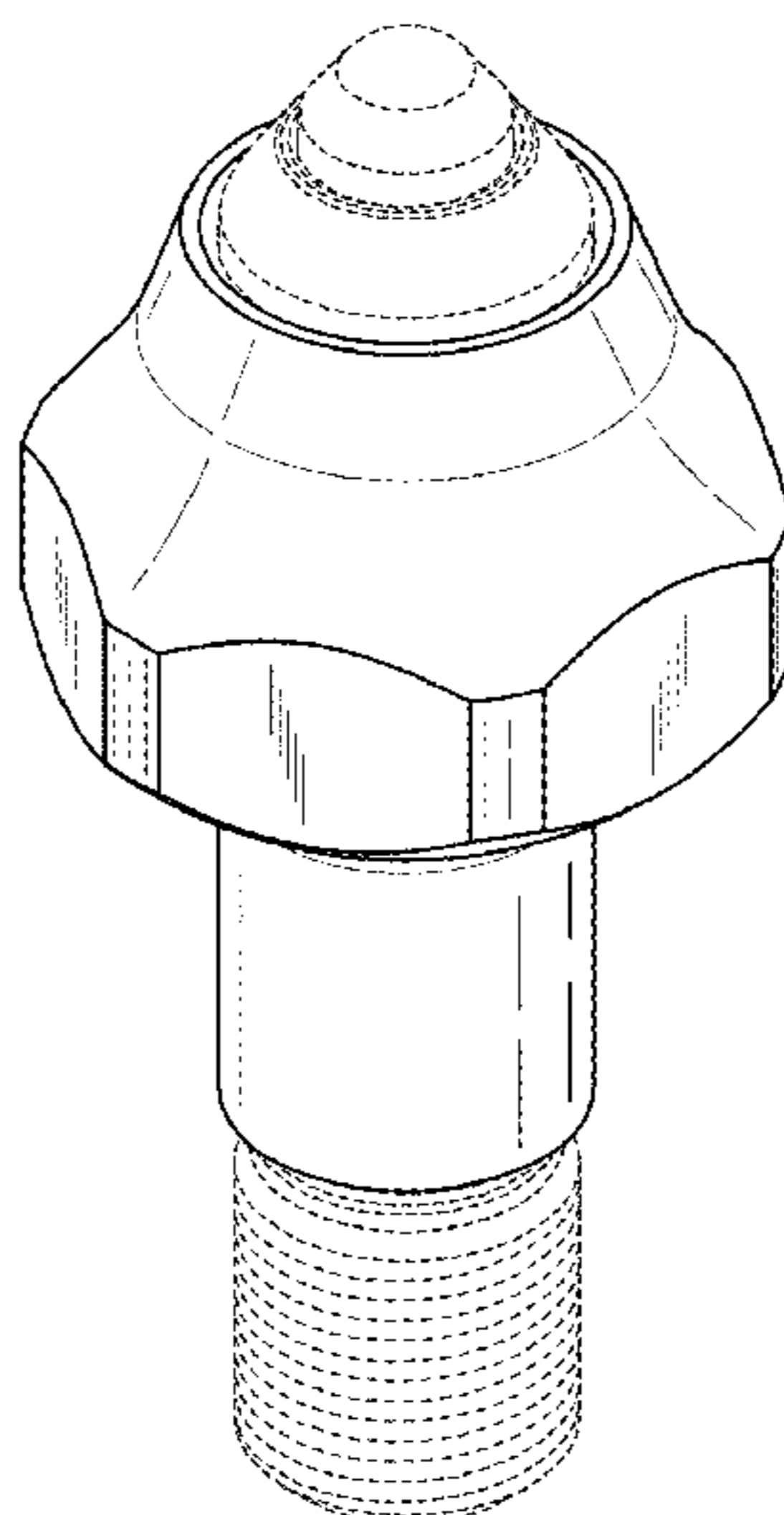
(56) **References Cited**

U.S. PATENT DOCUMENTS

4,240,669 A 12/1980 Rollins
6,244,665 B1 * 6/2001 Bise E21C 35/18
299/106
6,250,535 B1 * 6/2001 Sollami B23K 1/0008
228/125

FIG. 1 is front elevation view of the chisel, the rear elevation view being a mirror image thereof.
FIG. 2 is a perspective view of the chisel of FIG. 1.
FIG. 3 is a top view of the chisel of FIG. 1; and,
FIG. 4 is a bottom view of the chisel of FIG. 1.
The dashed lines are shown for environmental purposes only and form no part of the claimed design.

1 Claim, 2 Drawing Sheets



(56)

References Cited

U.S. PATENT DOCUMENTS

2008/0223744 A1 9/2008 Tewes et al.
2009/0146491 A1* 6/2009 Fader B28D 1/186
299/105
2010/0148568 A1* 6/2010 Latham E21C 35/19
299/111
2011/0148179 A1 6/2011 Lehnert et al.
2011/0204702 A1* 8/2011 Lehnert E21C 35/183
299/105
2011/0241409 A1* 10/2011 Swope B28D 1/186
299/111
2012/0080930 A1* 4/2012 Latham B28D 1/188
299/104
2012/0272552 A1 11/2012 Tack
2013/0181501 A1* 7/2013 Hall E21C 35/19
299/105
2014/0117741 A1 5/2014 Lehnert et al.

2015/0252670 A1* 9/2015 Wachsmann E21C 35/197
299/10
2016/0229084 A1* 8/2016 Lehnert E21C 35/19
2016/0230551 A1* 8/2016 Lehnert E21C 35/18
2017/0074098 A1* 3/2017 Roth E21C 35/197

FOREIGN PATENT DOCUMENTS

WO 2015043883 A2 4/2015
WO 2015043884 A2 4/2015

OTHER PUBLICATIONS

Co-pending U.S. Appl. No. 15/023,718, filed Sep. 1, 2014. (not prior art).
Co-pending U.S. Appl. No. 29/576,855, filed Sep. 7, 2016. (not prior art).

* cited by examiner

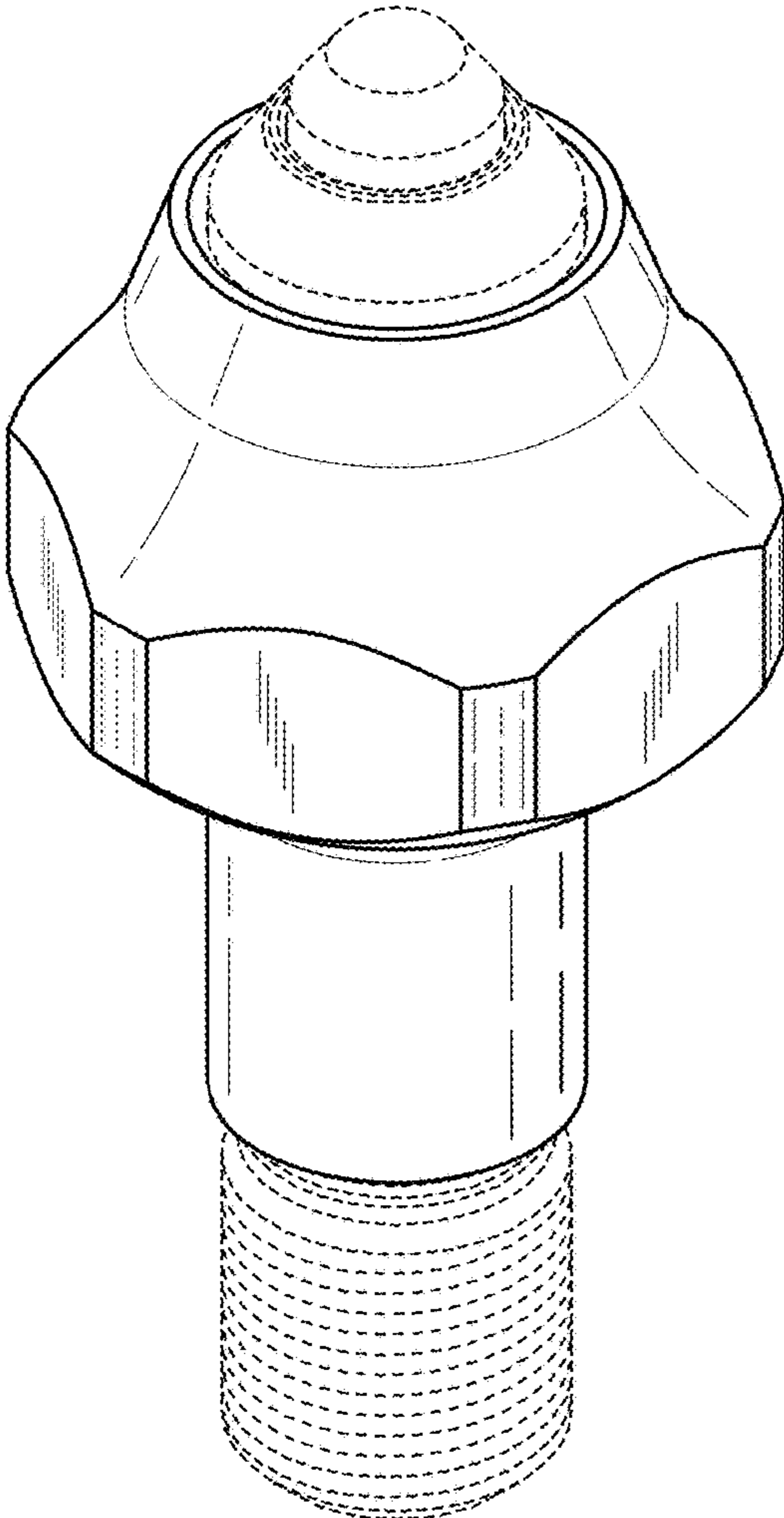


FIG. 1

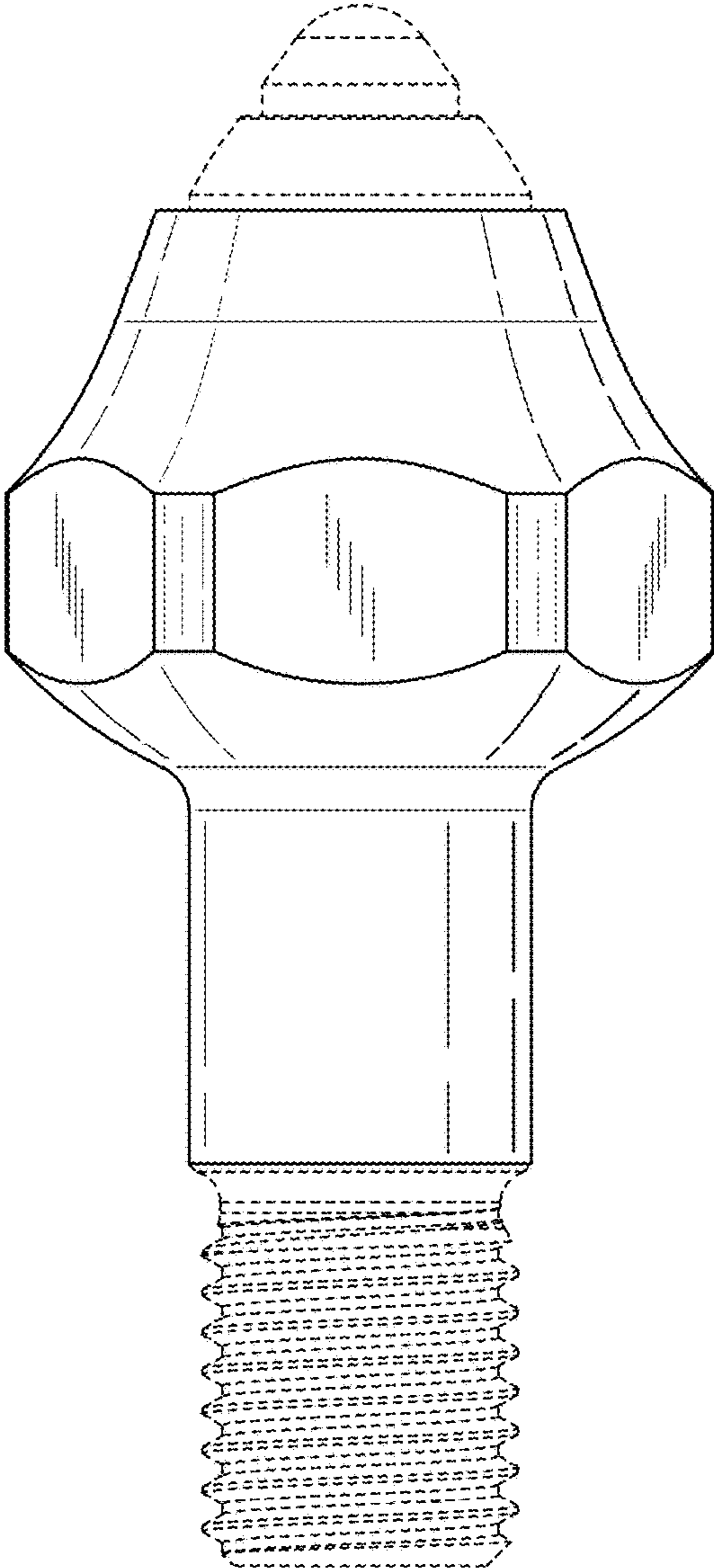


FIG. 2

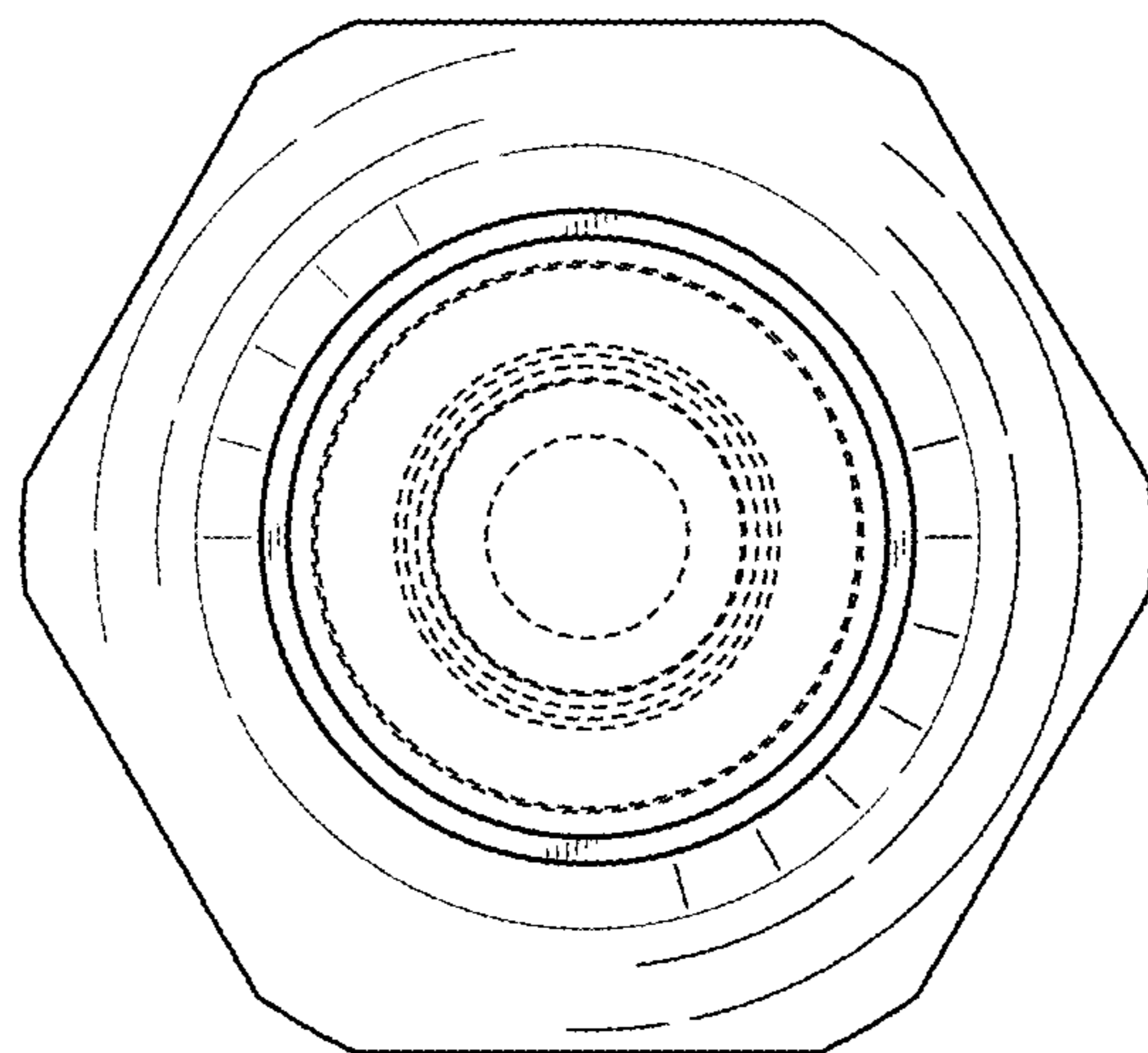


FIG. 3

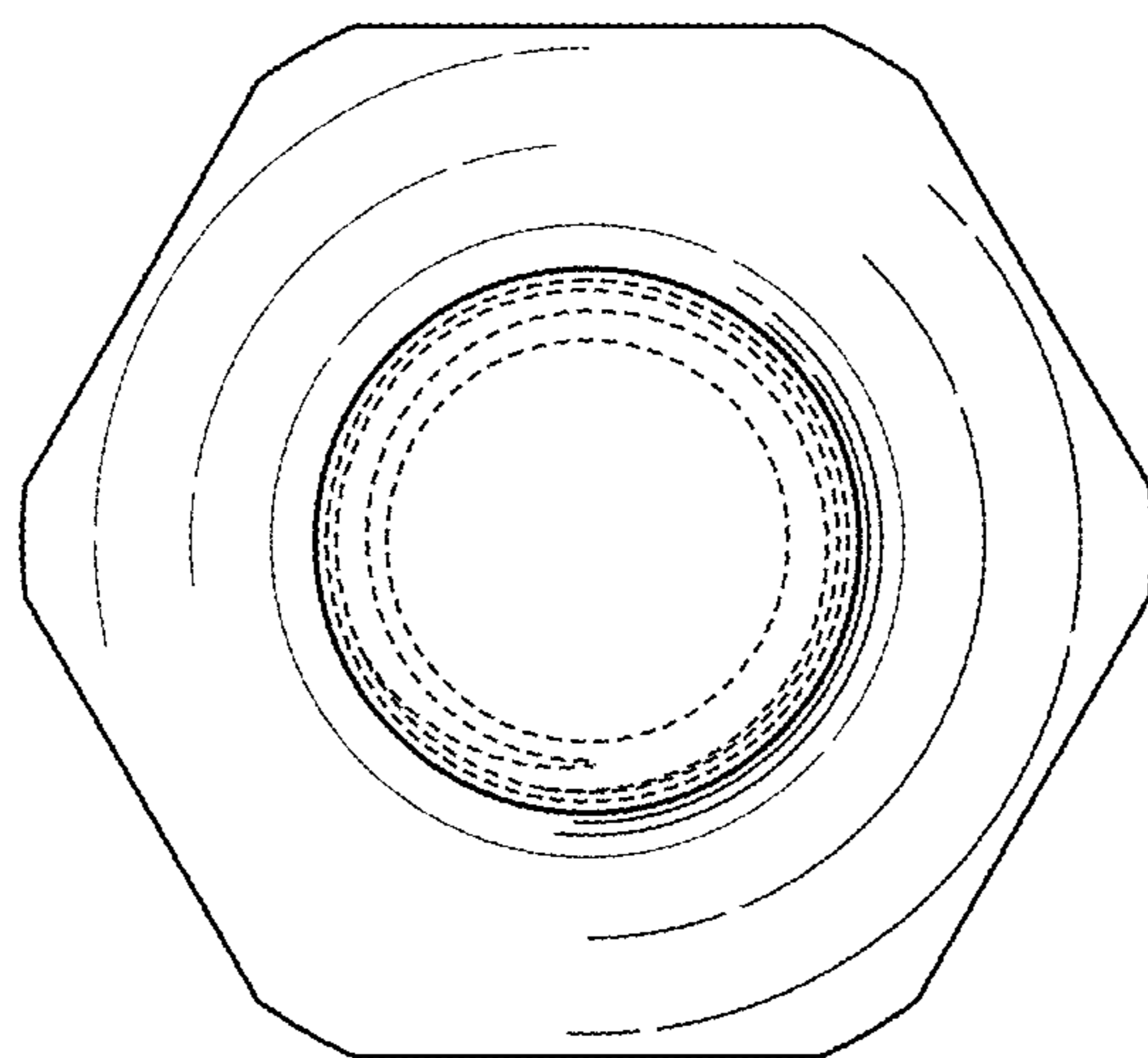


FIG. 4