



US00D819097S

(12) **United States Design Patent**
Prohaska et al.

(10) **Patent No.:** **US D819,097 S**
(45) **Date of Patent:** **** May 29, 2018**

(54) **COULTER SHANK AND OFFSET CASTING**

(71) Applicant: **FAST Global Solutions, Inc.,**
Glenwood, MN (US)

(72) Inventors: **James B. Prohaska**, Prior Lake, MN
(US); **Kurt M. Forth**, Cologne, MN
(US)

(73) Assignee: **FAST Global Solutions, Inc.,**
Glenwood, MN (US)

(**) Term: **15 Years**

(21) Appl. No.: **29/556,430**

(22) Filed: **Mar. 1, 2016**

(51) **LOC (11) Cl.** **15-09**

(52) **U.S. Cl.**
USPC **D15/139**

(58) **Field of Classification Search**
USPC D15/7, 9, 10, 13, 17, 27, 28, 122, 123,
D15/124, 125, 126, 127, 128, 129, 138,
D15/139, 140, 141, 199
CPC B25D 3/00; B25D 17/02; B25D 2250/111;
B25D 2211/003; B25D 16/00; E21B
10/52; E21B 10/16; E21B 10/567; C03B
23/047; C03B 23/0496

See application file for complete search history.

(56) **References Cited**

U.S. PATENT DOCUMENTS

D299,611 S * 1/1989 Brainard D8/25
D314,123 S * 1/1991 Brainard D8/25
D363,419 S * 10/1995 Dixon D8/25
D417,532 S * 12/1999 Worsham D15/199
D424,583 S * 5/2000 Mizukami D15/122

6,102,132 A 8/2000 Schimke
D442,195 S * 5/2001 Hansson D15/139
D443,284 S * 6/2001 Hansson D15/139
D444,156 S * 6/2001 Hansson D15/139
D763,643 S * 8/2016 Blood D8/21

FOREIGN PATENT DOCUMENTS

WO WO 2015/103707 A1 7/2015

* cited by examiner

Primary Examiner — Manpreet S Matharu

Assistant Examiner — Mojtaba Tehrani

(74) *Attorney, Agent, or Firm* — Christensen, Fonder,
Dardi & Herbert PLLC

(57) **CLAIM**

We claim the ornamental design for a coultter shank and offset casting, as shown and described.

DESCRIPTION

FIG. 1 is a top, front perspective view of the coultter shank and offset casting according to an embodiment of the invention.

FIG. 2 is a right side elevational view of the coultter shank and offset casting according to an embodiment of the invention.

FIG. 3 is a front elevational view of the coultter shank and offset casting according to an embodiment of the invention.

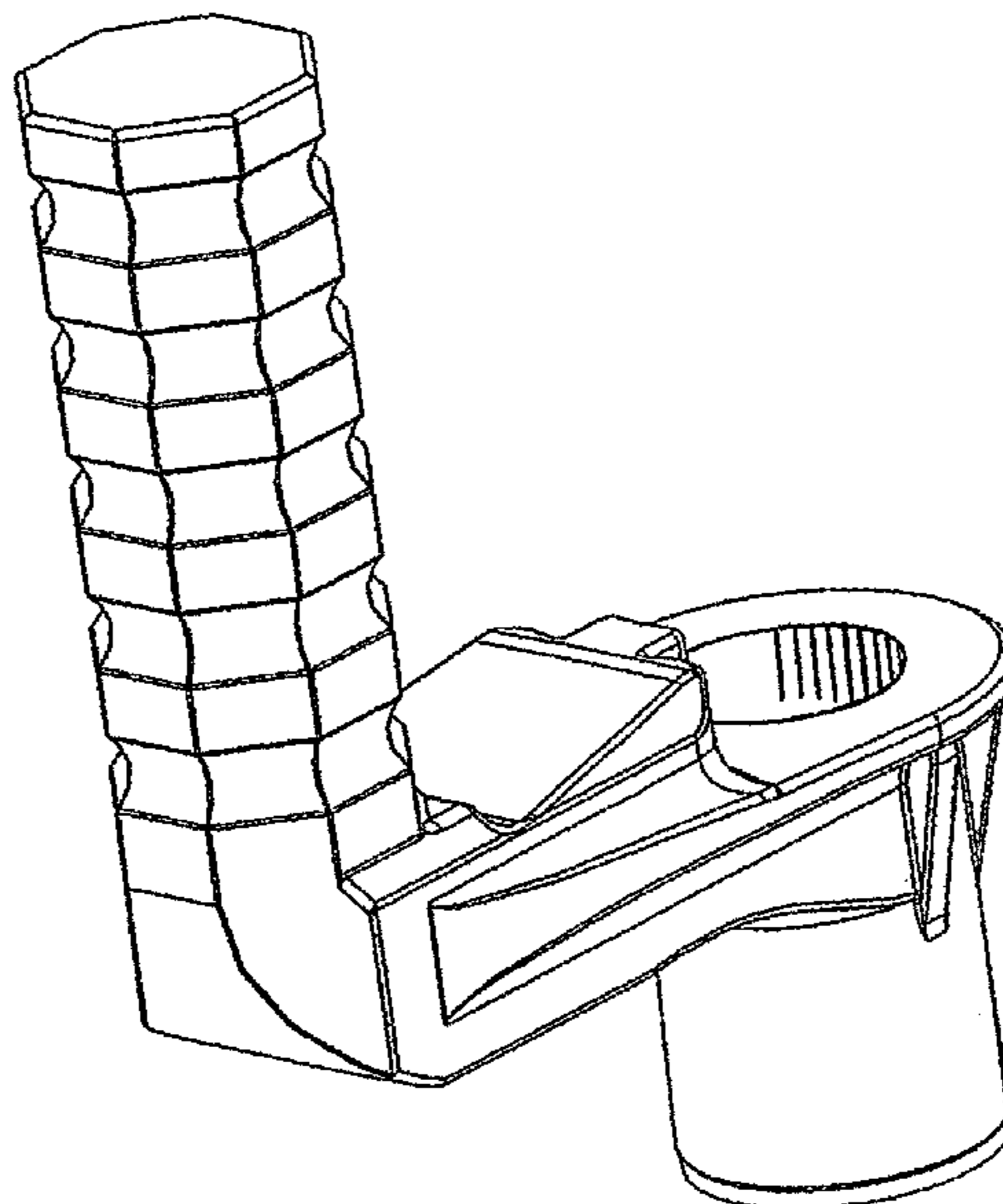
FIG. 4 is a left side elevational view of the coultter shank and offset casting according to an embodiment of the invention.

FIG. 5 is a rear elevational view of the coultter shank and offset casting according to an embodiment of the invention.

FIG. 6 is a top view of the coultter shank and offset casting according to an embodiment of the invention; and,

FIG. 7 is a bottom view of the coultter shank and offset casting according to an embodiment of the invention.

1 Claim, 7 Drawing Sheets



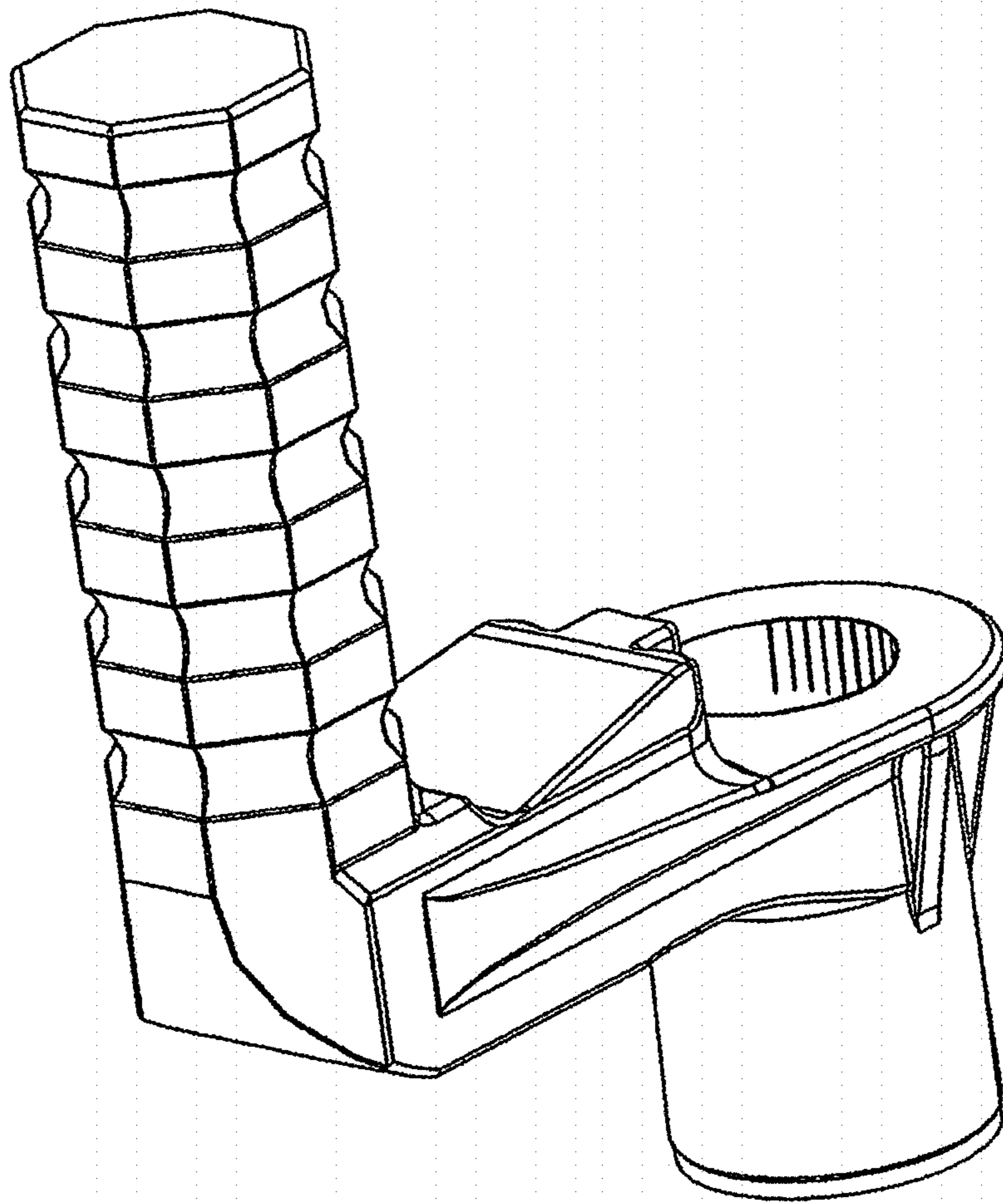


Fig. 1

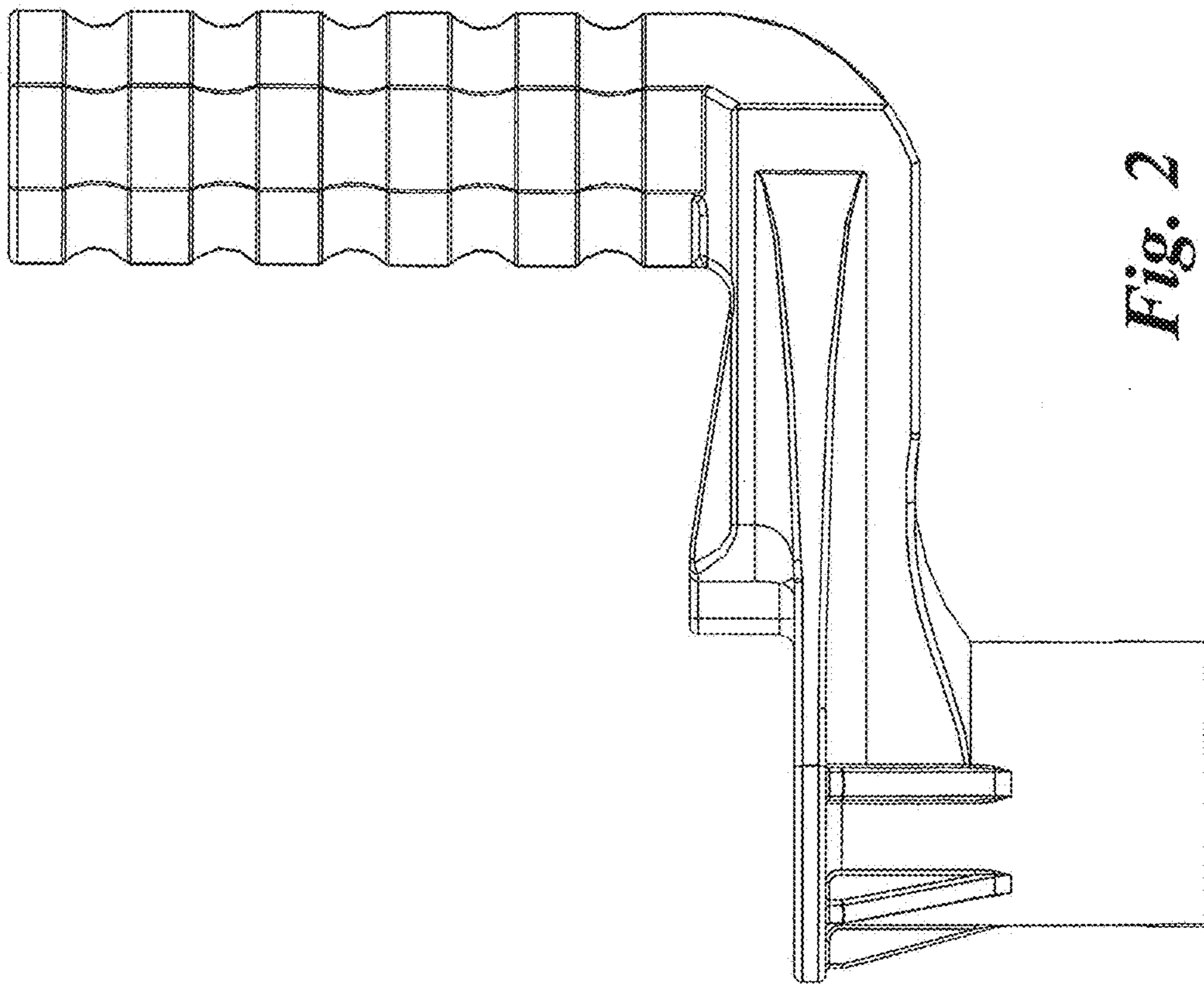


Fig. 2

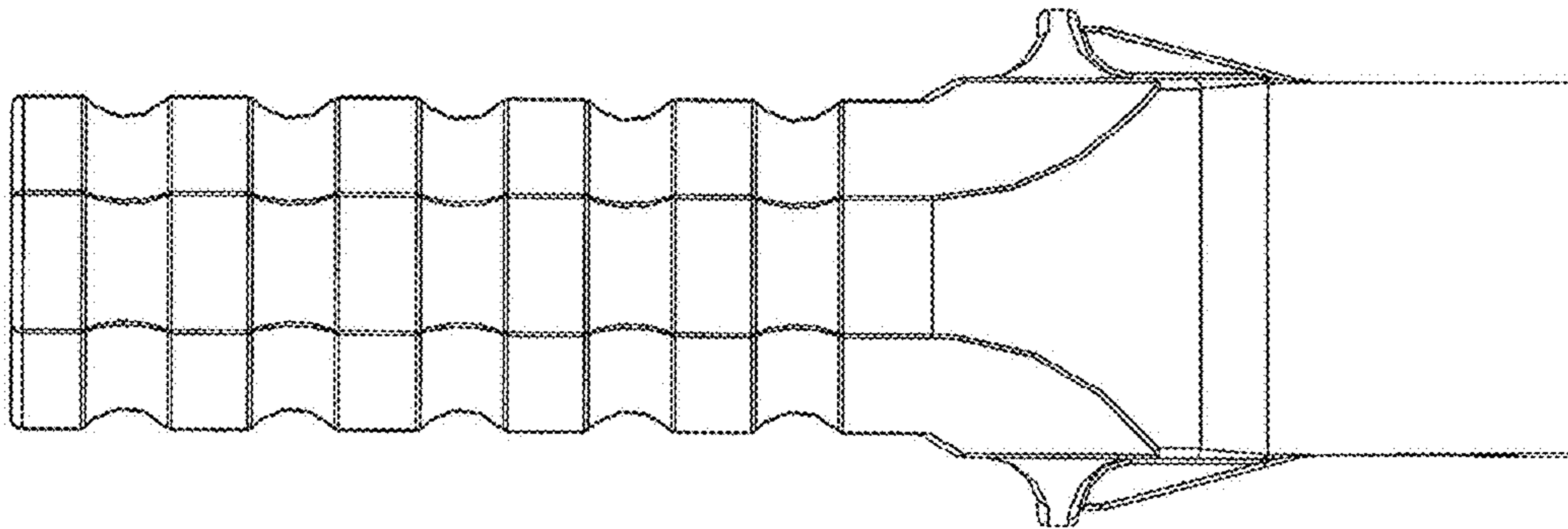


Fig. 3

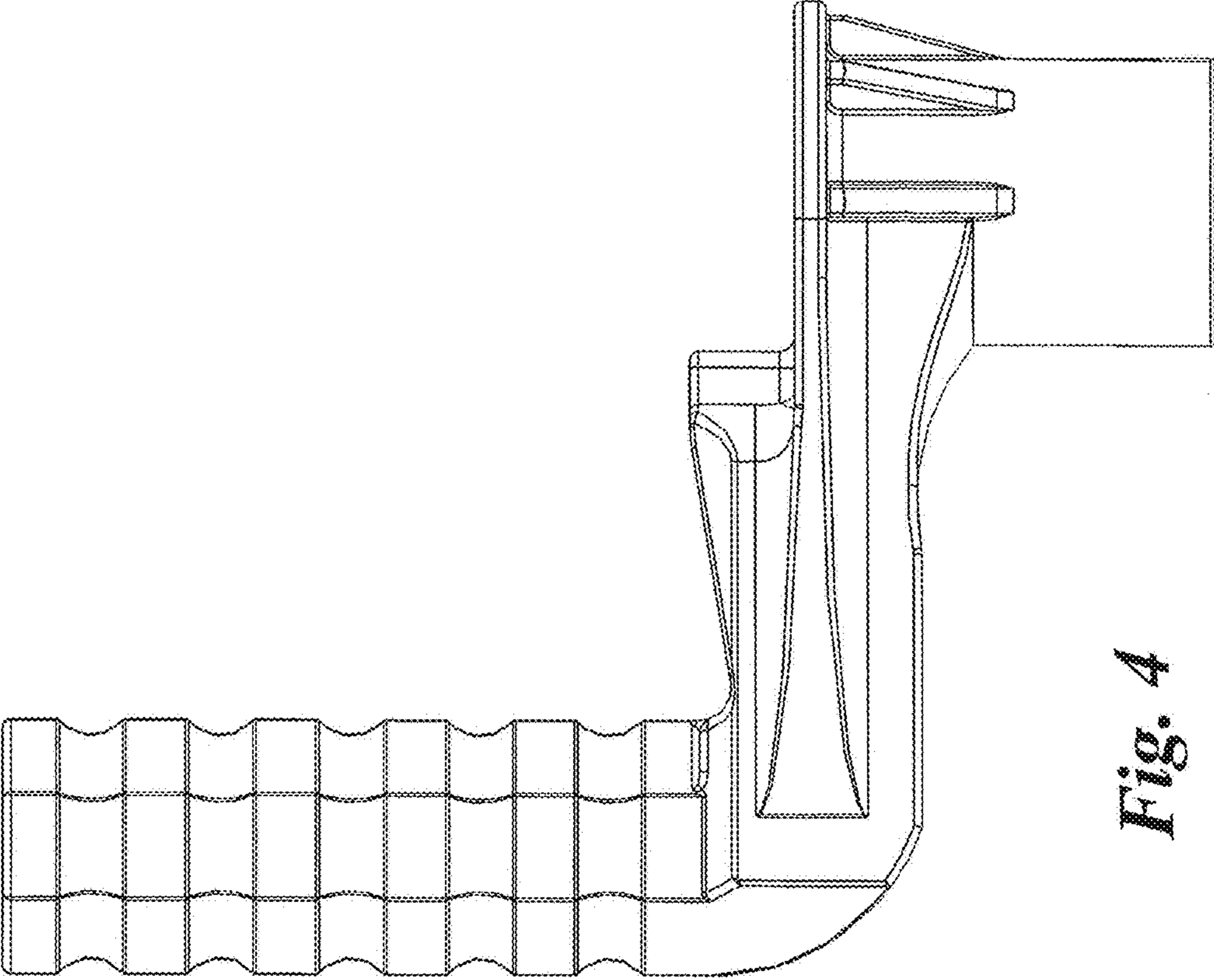


Fig. 4

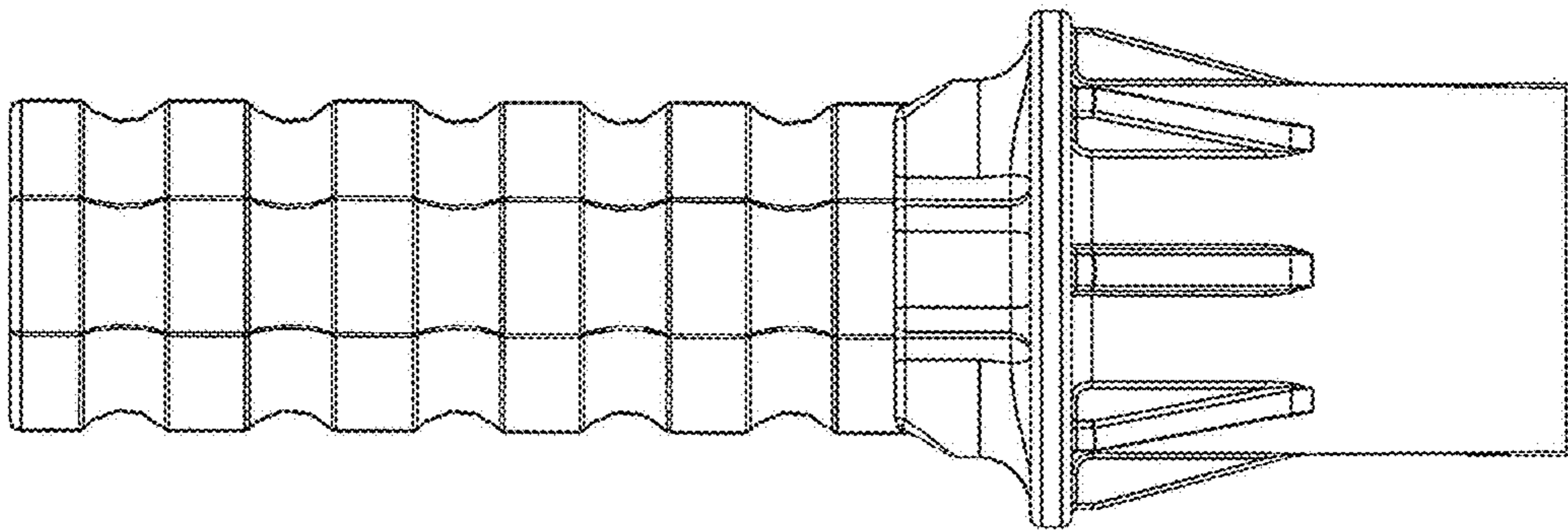


Fig. 5

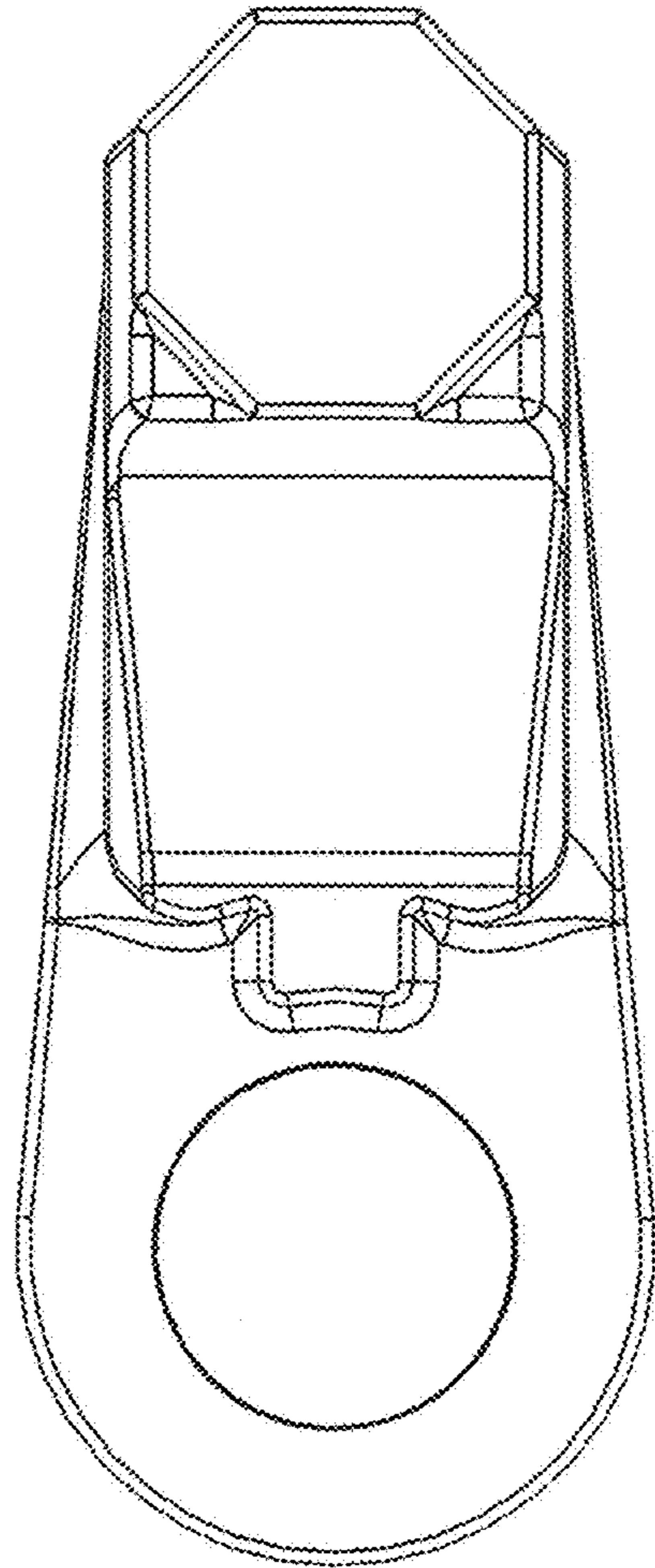


Fig. 6

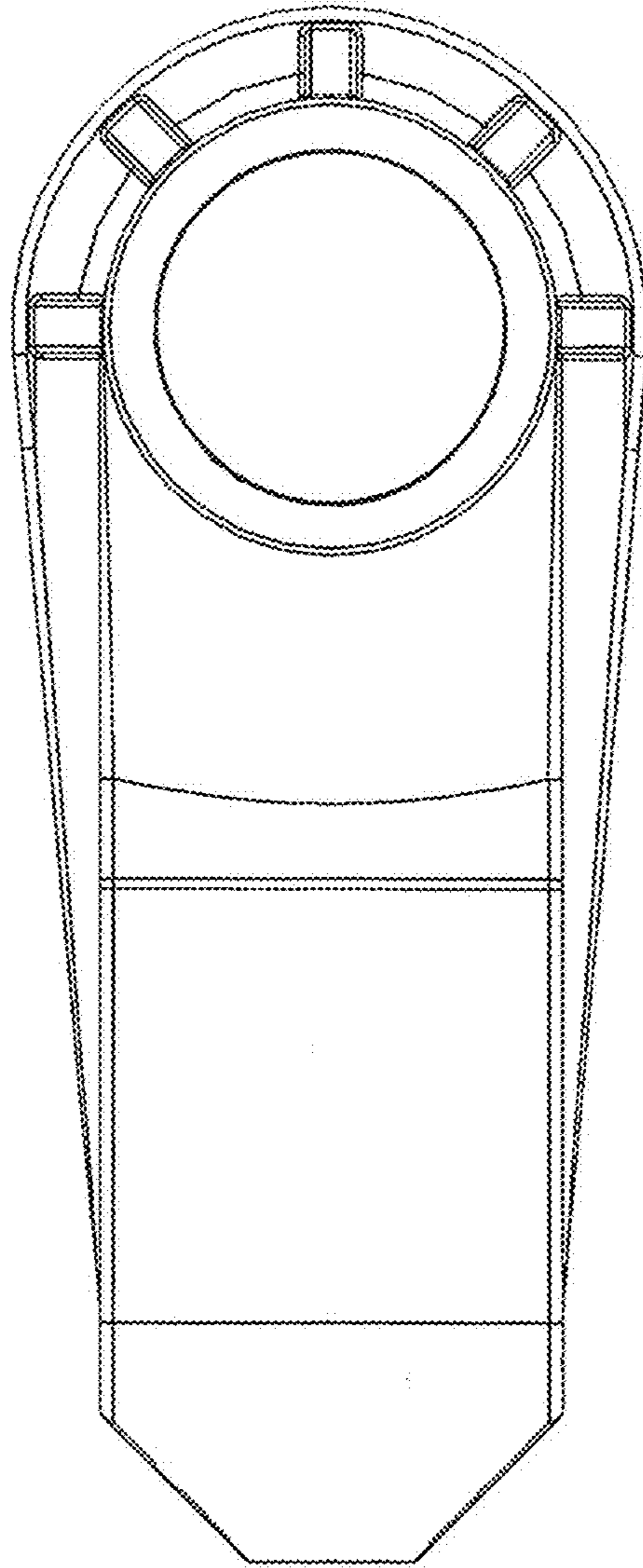


Fig. 7