



US00D819095S

(12) **United States Design Patent** (10) **Patent No.:** **US D819,095 S**
Sakaguchi et al. (45) **Date of Patent:** **** May 29, 2018**

(54) **FLASK-LESS MOLDING MACHINE**

FOREIGN PATENT DOCUMENTS

(71) Applicant: **SINTOKOGIO, LTD.**, Nagoya-shi, Aichi (JP)

CN	201692710 U	1/2011
CN	201791089 U	4/2011
TW	151847	2/2013

(72) Inventors: **Koichi Sakaguchi**, Toyokawa (JP); **Katsuhito Sato**, Toyokawa (JP)

OTHER PUBLICATIONS

(73) Assignee: **Sintokogio, Ltd.**, Nagoya-shi, Aichi (JP)

Taiwan Patent Office, Notice of Allowance in Taiwan Counterpart Application No. 105306741, dated Jun. 15, 2017.

(Continued)

(**) Term: **15 Years**

Primary Examiner — Ian Simmons

(21) Appl. No.: **29/583,632**

Assistant Examiner — Khawaja Anwar

(22) Filed: **Nov. 8, 2016**

(74) *Attorney, Agent, or Firm* — Leydig Voit & Mayer

(30) **Foreign Application Priority Data**

(57) **CLAIM**

May 17, 2016 (JP) 2016-010432

The ornamental design for a flask-less molding machine, as shown and described.

(51) **LOC (11) Cl.** **15-03**

DESCRIPTION

(52) **U.S. Cl.**

USPC **D15/135**

(58) **Field of Classification Search**

USPC D15/122, 135, 136, 137, 138, 141, 142, D15/199; D12/1, 2, 8; D8/313; D7/339-341, 348-349, 402-404

CPC B29C 45/0001; B29C 2043/3427; B29C 2043/3494; B29C 2045/0006; B29C 2045/0043; B29C 2045/0049; B29C 2045/14803; B29C 2945/76444; B29C 43/24; B29C 45/0005; B29C 45/0025; B29C 45/006; B29C 45/14311; B29C 45/14778; B29C 45/1481; B29C 45/14819;

FIG. 1 is a front perspective view of a flask-less molding machine of the present invention including windows with mesh fences.

FIG. 2 is a rear perspective view of the flask-less molding machine of FIG. 1.

FIG. 3 is a front view of the flask-less molding machine of FIG. 1.

FIG. 4 is a rear view of the flask-less molding machine of FIG. 1.

FIG. 5 is a top plan view of the flask-less molding machine of FIG. 1.

FIG. 6 is a bottom view of the flask-less molding machine of FIG. 1.

FIG. 7 is a right side view of the flask-less molding machine of FIG. 1; and,

FIG. 8 is a left side view of the flask-less molding machine of FIG. 1.

The features shown in broken lines illustrate portions of the flask-less molding machine and form no part of the claimed design.

(Continued)

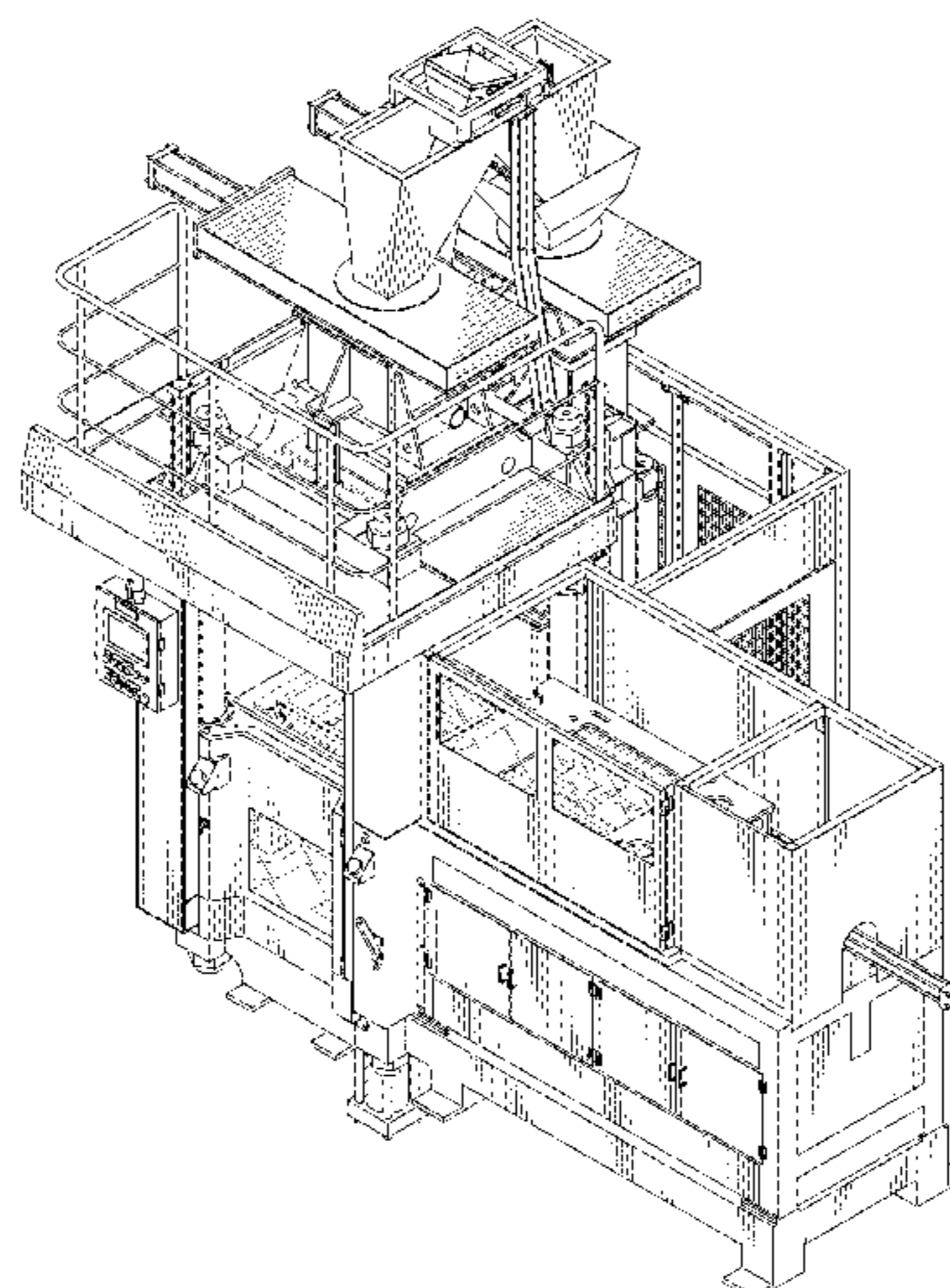
(56) **References Cited**

U.S. PATENT DOCUMENTS

D332,955 S 2/1993 Hull
D373,226 S 8/1996 Bloom et al.

(Continued)

1 Claim, 8 Drawing Sheets



(58) **Field of Classification Search**

CPC B29C 45/1657; B29C 45/1671; B29C
45/1761; B29C 45/2708; B29C 45/40;
B29C 45/401; B29C 45/42; B29C 45/84;
B29C 47/0004; B29C 47/0021

See application file for complete search history.

(56) **References Cited**

U.S. PATENT DOCUMENTS

D520,567 S	5/2006	Iannello et al.	
D547,336 S *	7/2007	Kai	D15/122
D617,356 S *	6/2010	Wang	D15/135
D665,682 S	8/2012	Nagai	
D665,683 S	8/2012	Nagai	
D690,331 S *	9/2013	Kitamura	D15/122
D707,273 S	6/2014	Maringer	
D710,912 S	8/2014	Wehmeier	
D725,163 S	3/2015	Ackley et al.	
D754,226 S	4/2016	Caylor et al.	
D768,216 S	10/2016	Funakoshi et al.	
D768,741 S *	10/2016	Funakoshi	D15/135
D769,339 S	10/2016	Funakoshi et al.	
2008/0303183 A1 *	12/2008	Rote	B29C 43/08 264/219

OTHER PUBLICATIONS

United States Patent and Trademark Office, Notice of Allowance in
U.S. Appl. No. 29/583,631, dated Oct. 5, 2017.

United States Patent and Trademark Office, Office Action in U.S.
Appl. No. 29/583,625, dated Dec. 13, 2017.

* cited by examiner

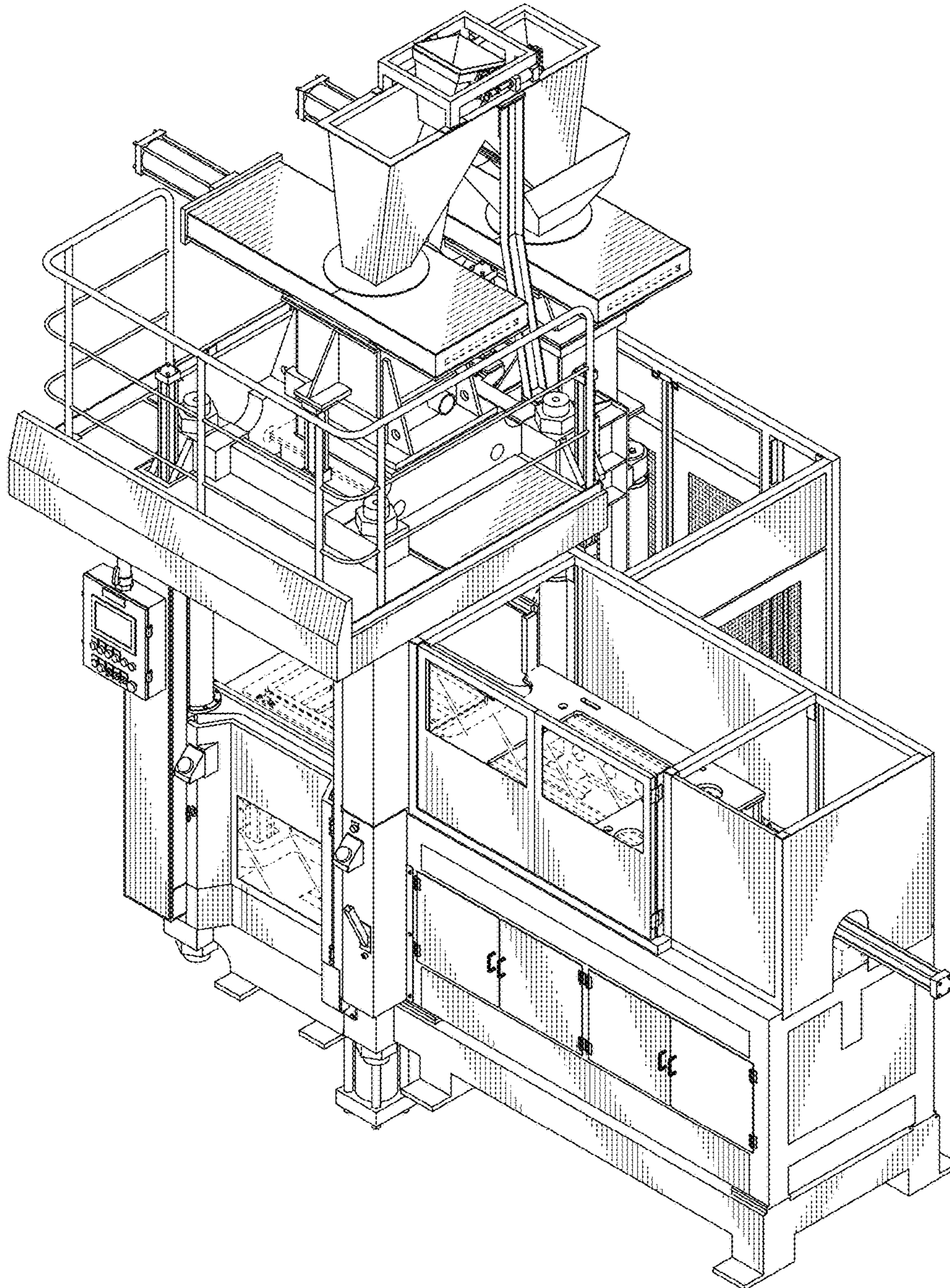


FIG. 1

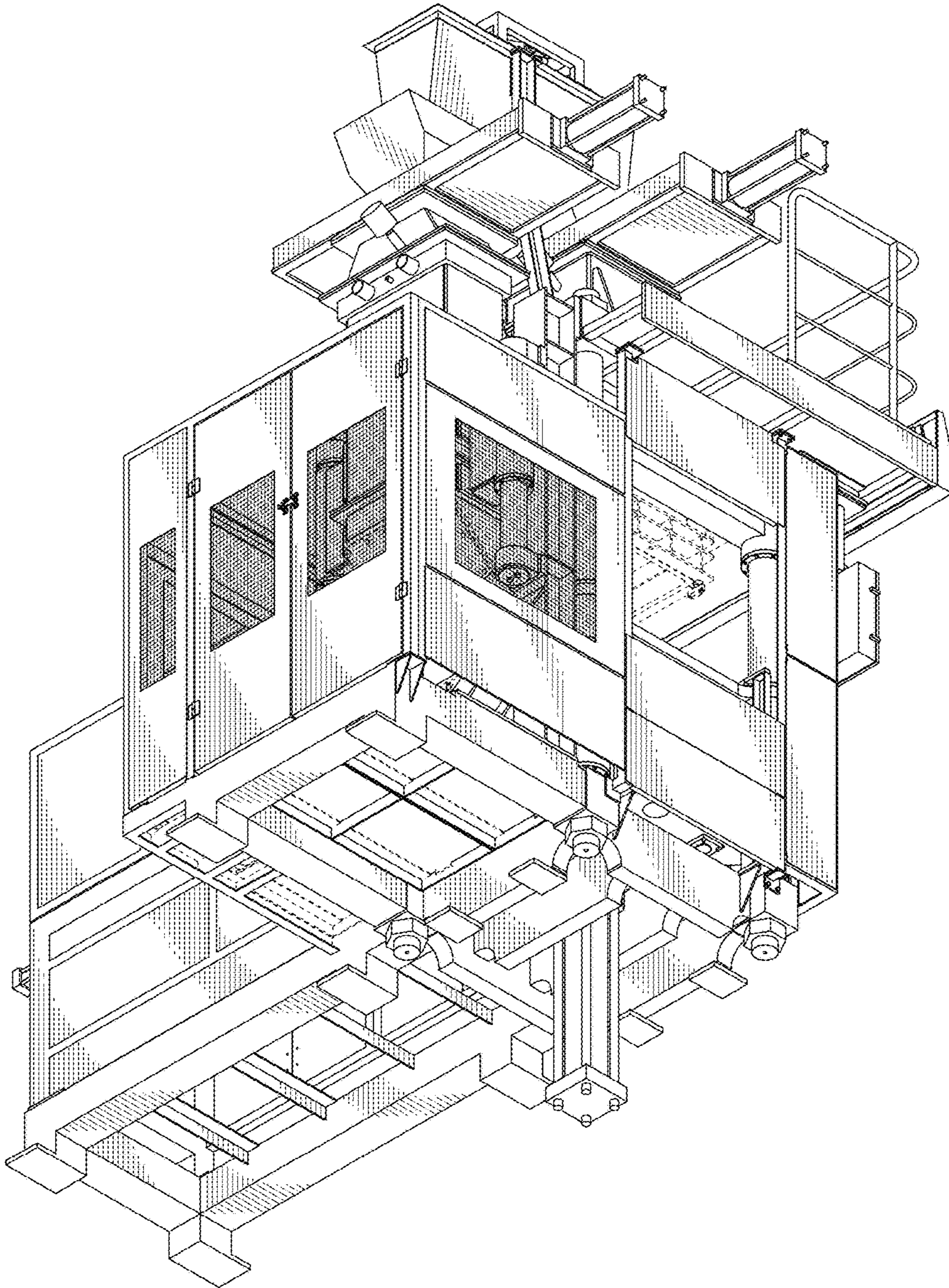


FIG. 2

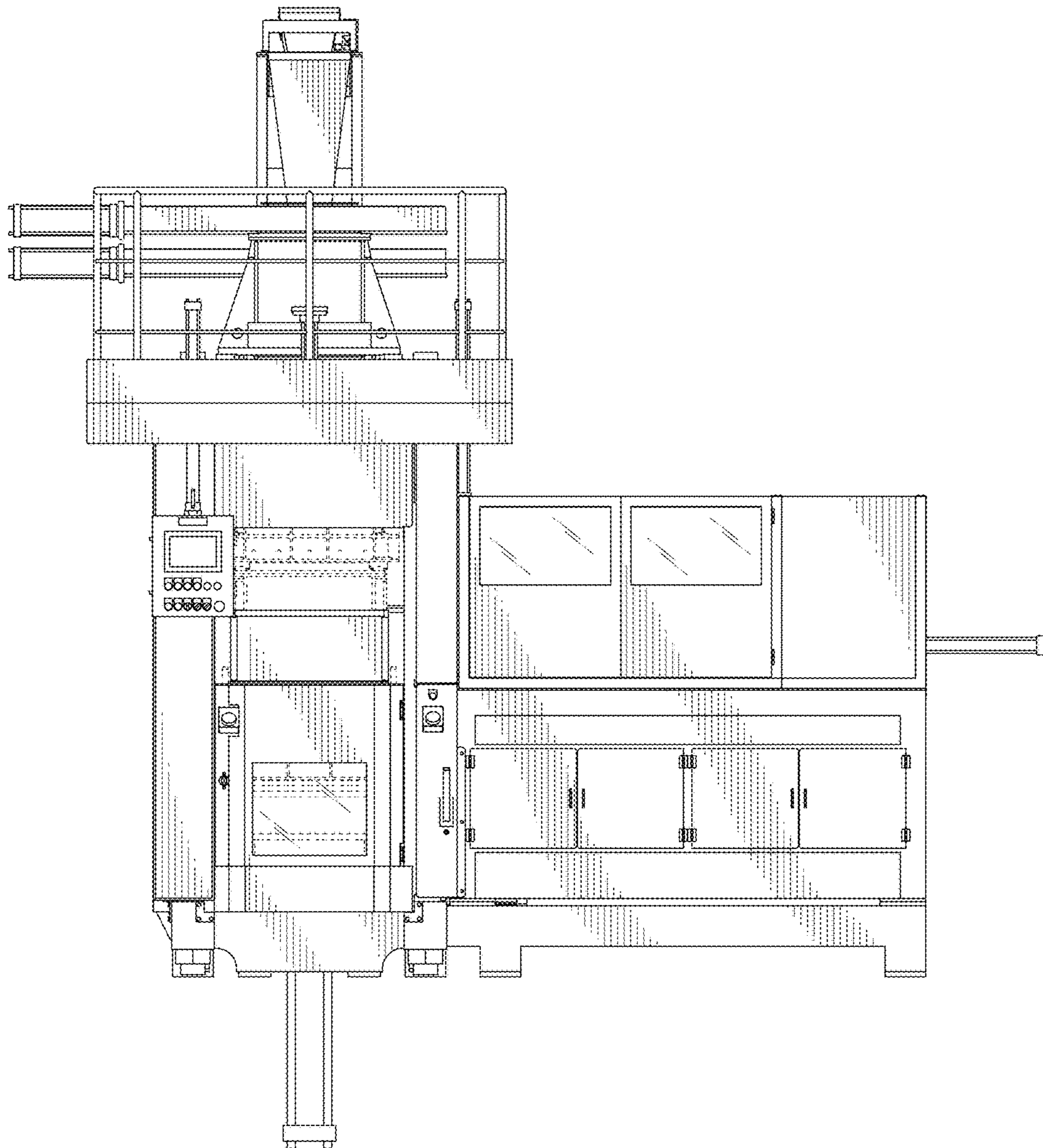


FIG. 3

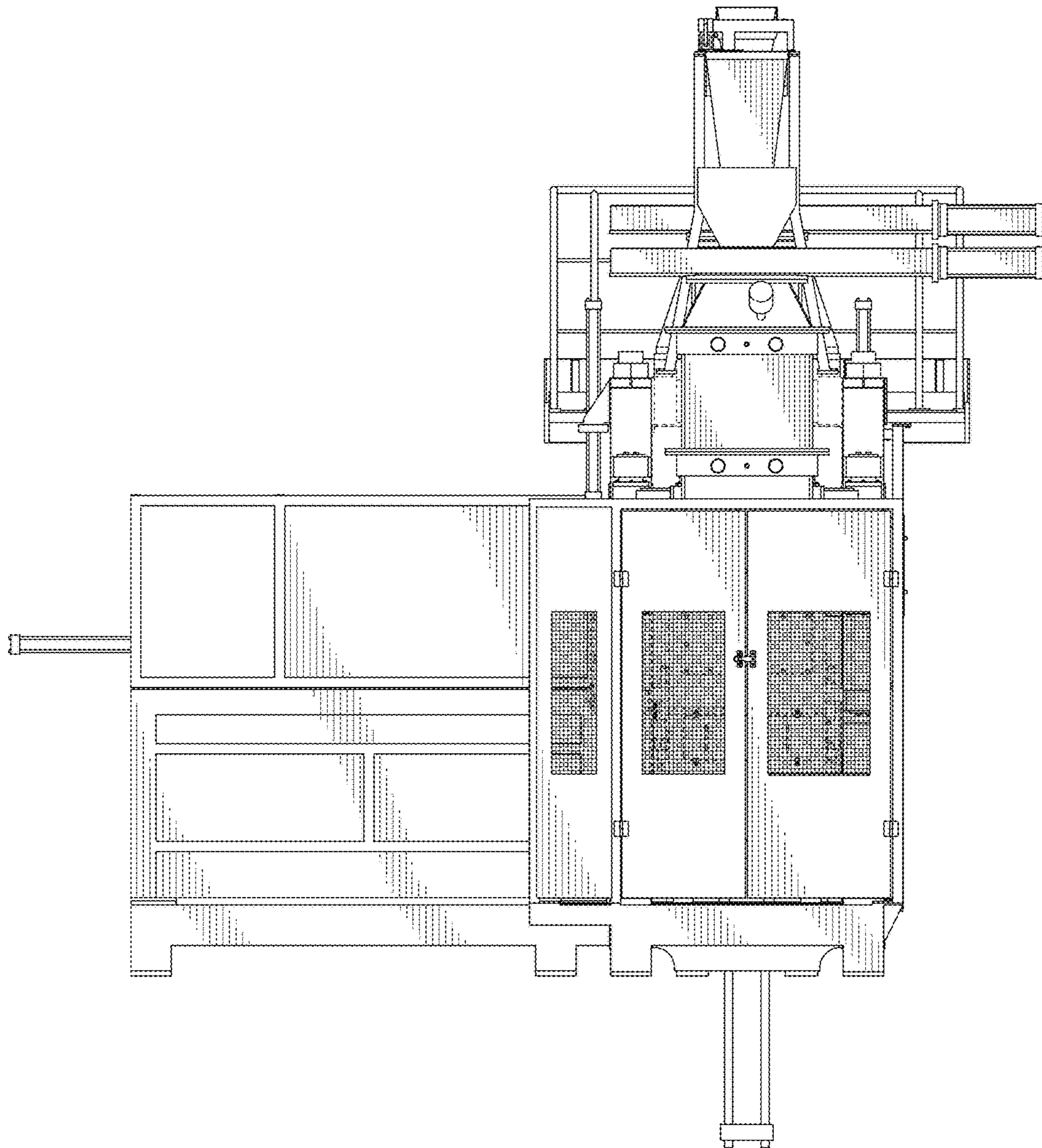


FIG. 4

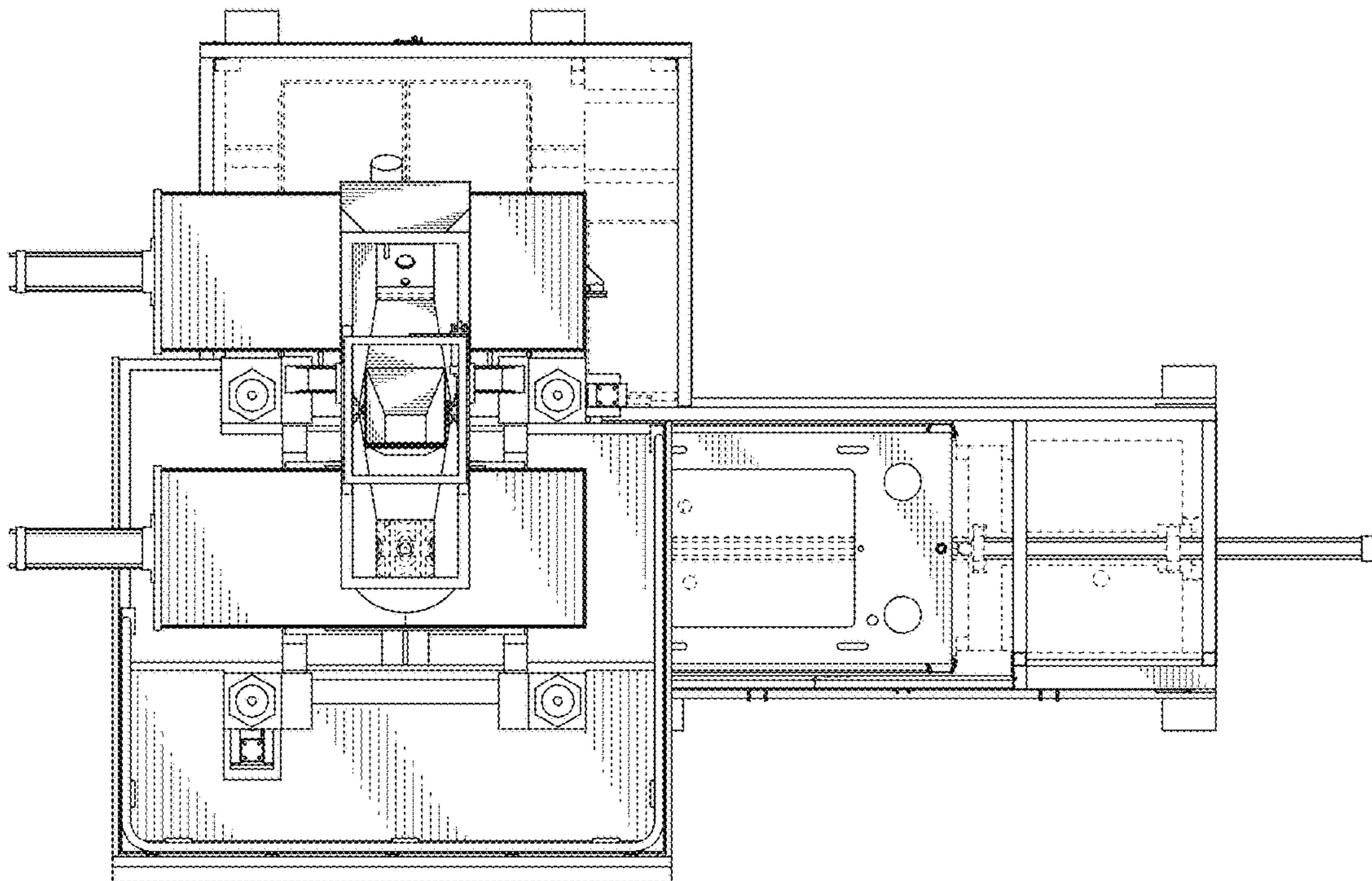


FIG. 5

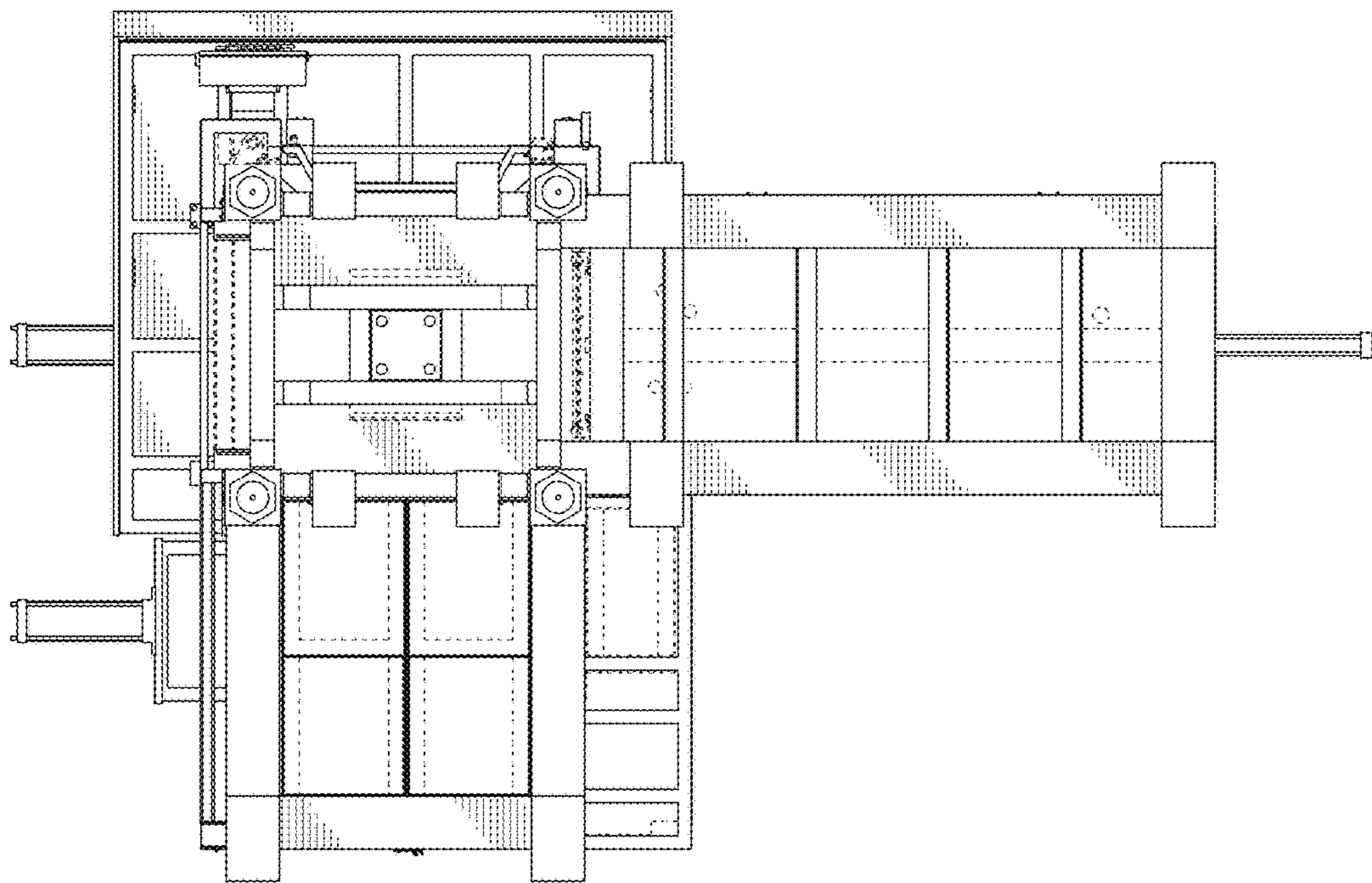


FIG. 6

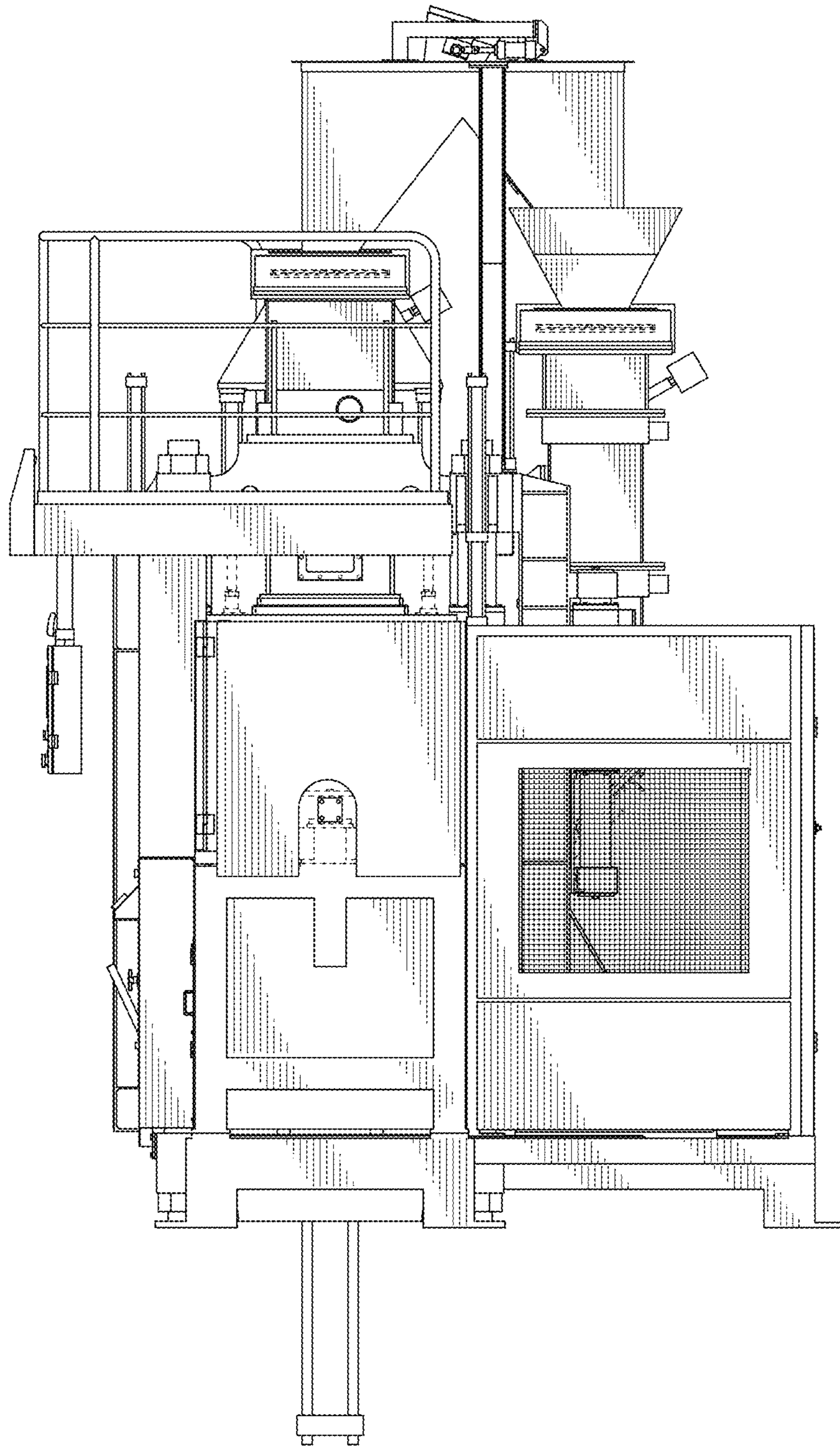


FIG. 7

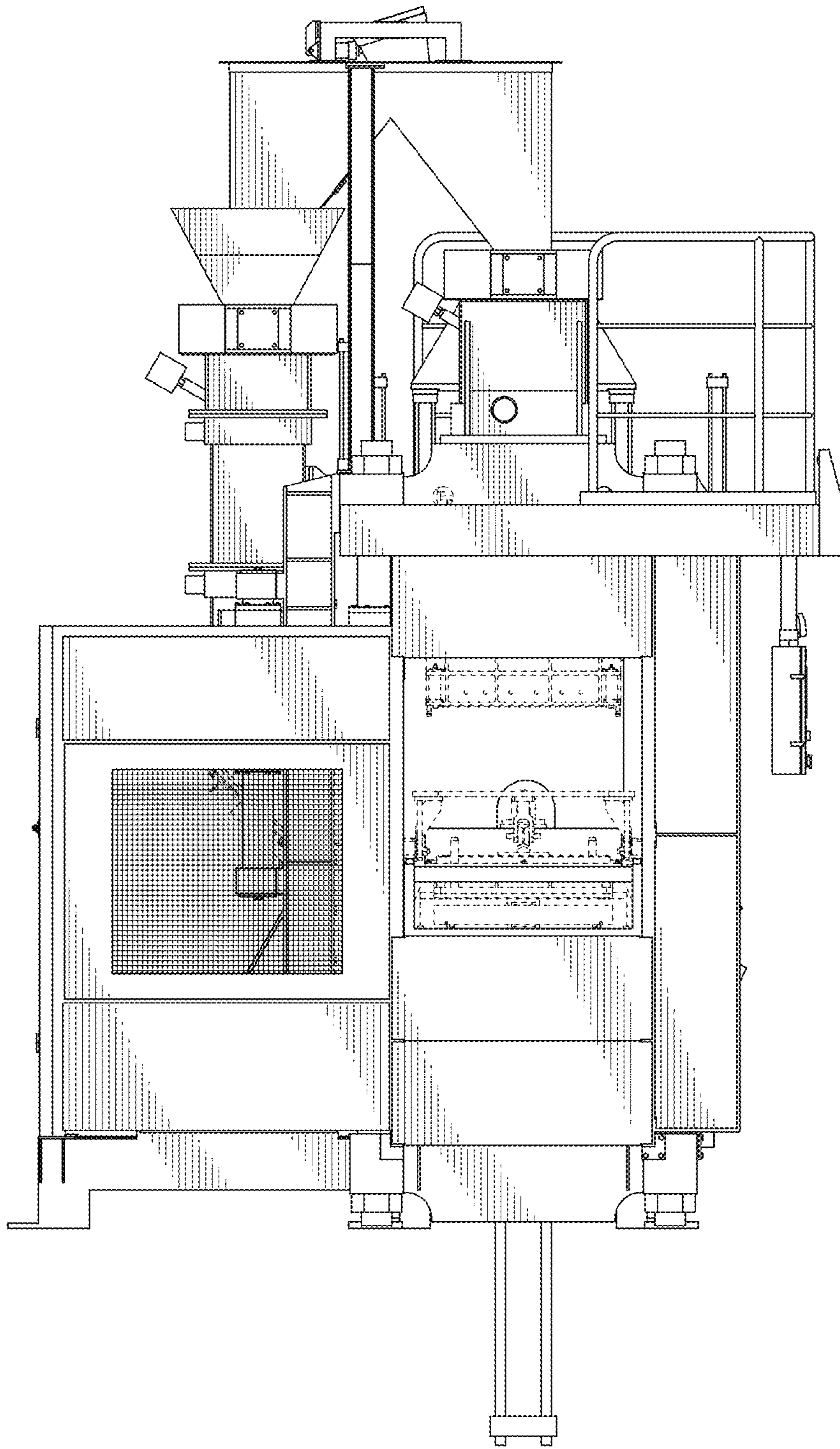


FIG. 8