



US00D819088S

(12) **United States Design Patent** (10) **Patent No.:** **US D819,088 S**
Renz (45) **Date of Patent:** **** May 29, 2018**

(54) **V-SHAPED DRUM MOUNTING**
(71) Applicant: **HAMM AG**, Tirschenreuth (DE)
(72) Inventor: **Julius Renz**, Taufkirchen (DE)
(73) Assignee: **HAMM AG**, Tirschenreuth (DE)
(**) Term: **15 Years**

D699,764 S * 2/2014 Loew D15/20
D720,779 S * 1/2015 Loew D15/20
D744,543 S * 12/2015 Loew D15/20
D745,063 S * 12/2015 Loew D15/20
D760,812 S * 7/2016 Roemer D15/28
D765,735 S * 9/2016 Roemer D15/20
D789,424 S * 6/2017 Roemer D15/20
D799,557 S * 10/2017 Renz D15/20
D799,558 S * 10/2017 Renz D15/20
D799,559 S * 10/2017 Renz D15/20
2014/0161529 A1* 6/2014 Darscheid E01C 19/38
404/84.05

(21) Appl. No.: **29/580,889**

* cited by examiner

(22) Filed: **Oct. 13, 2016**

Primary Examiner — Mark Goodwin

(51) **LOC (11) Cl.** **15-03**

(74) *Attorney, Agent, or Firm* — Greer, Burns & Crain, Ltd.

(52) **U.S. Cl.**
USPC **D15/28**

(58) **Field of Classification Search**
USPC D15/10, 20, 22–28, 33; D12/14;
180/89.12, 20; 73/82, 84, 78, 573;
404/122–125, 117, 128, 132, 90
CPC E02D 3/00–3/126; B30B 15/00
See application file for complete search history.

(57) **CLAIM**

The ornamental design for a V-shaped drum mounting, as shown and described.

DESCRIPTION

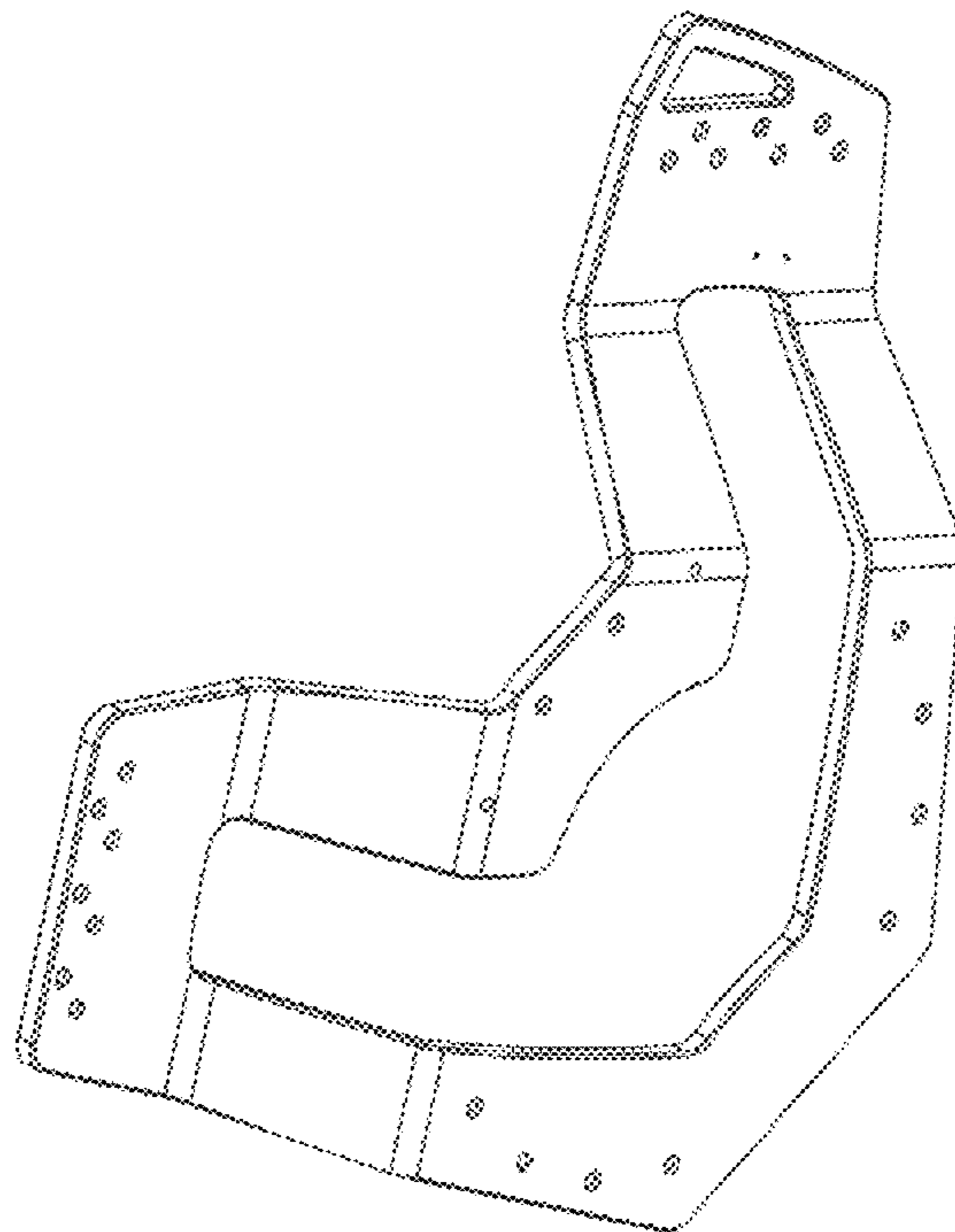
FIG. 1 is a front view of the present V-shaped drum mounting showing my new design;
FIG. 2 is a rear view of same;
FIG. 3 is a right side view of same;
FIG. 4 is a left side view of same;
FIG. 5 is a top plan view of same;
FIG. 6 is a bottom plan view of same;
FIG. 7 is a rear perspective view of the V-shaped drum mounting shown in FIG. 1; and,
FIG. 8 is a front perspective view of same.

(56) **References Cited**

U.S. PATENT DOCUMENTS

D396,431 S * 7/1998 Lindgren D12/14
D516,094 S * 2/2006 Dotsch D15/20
D611,505 S * 3/2010 Loew D15/20
D611,506 S * 3/2010 Loew D15/20
D668,269 S * 10/2012 Tezuka D15/20
D668,694 S * 10/2012 Tezuka D15/31
D694,278 S * 11/2013 Ewringmann D15/20
D694,279 S * 11/2013 Ewringmann D15/20

1 Claim, 8 Drawing Sheets



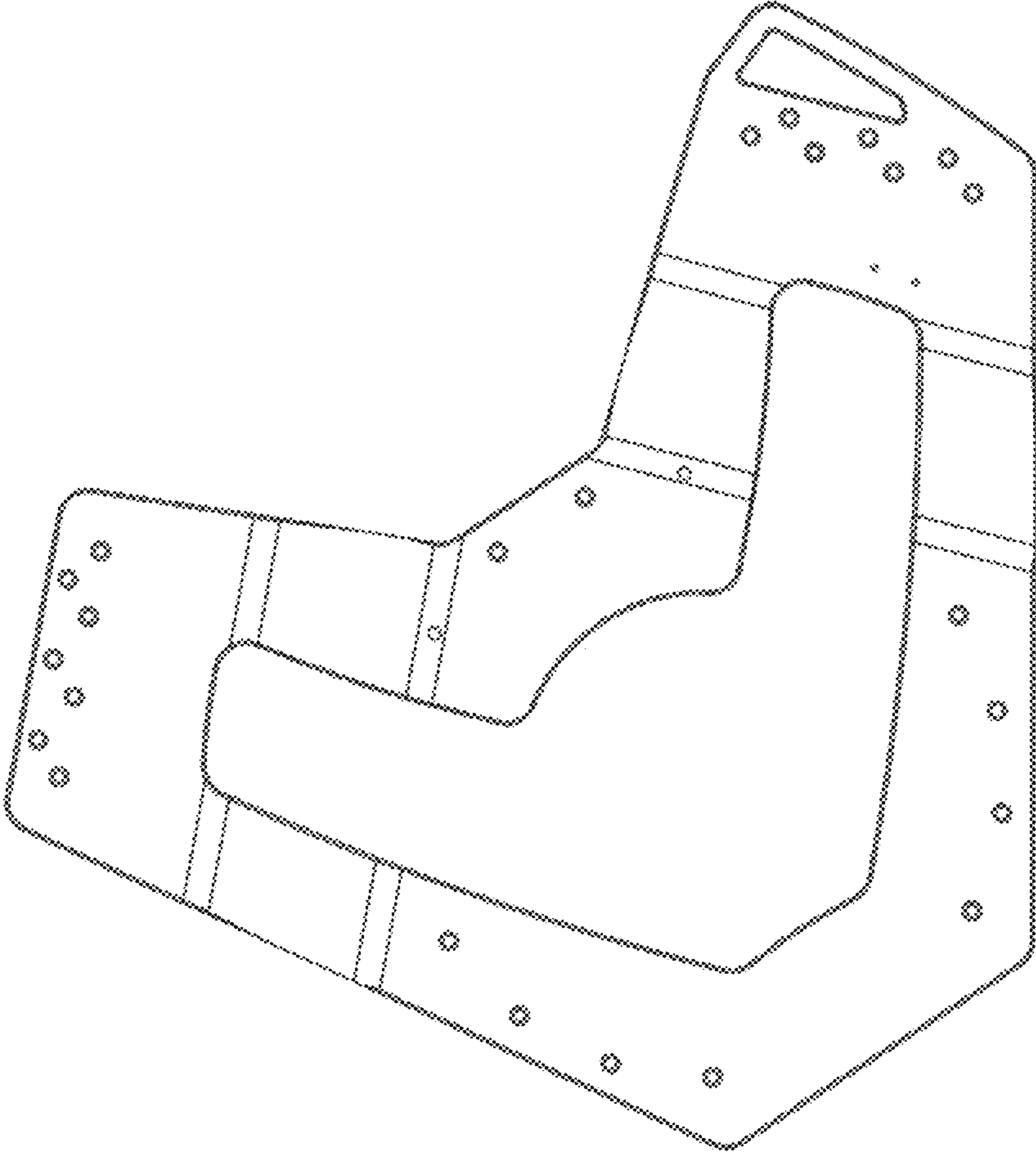


FIG. 1

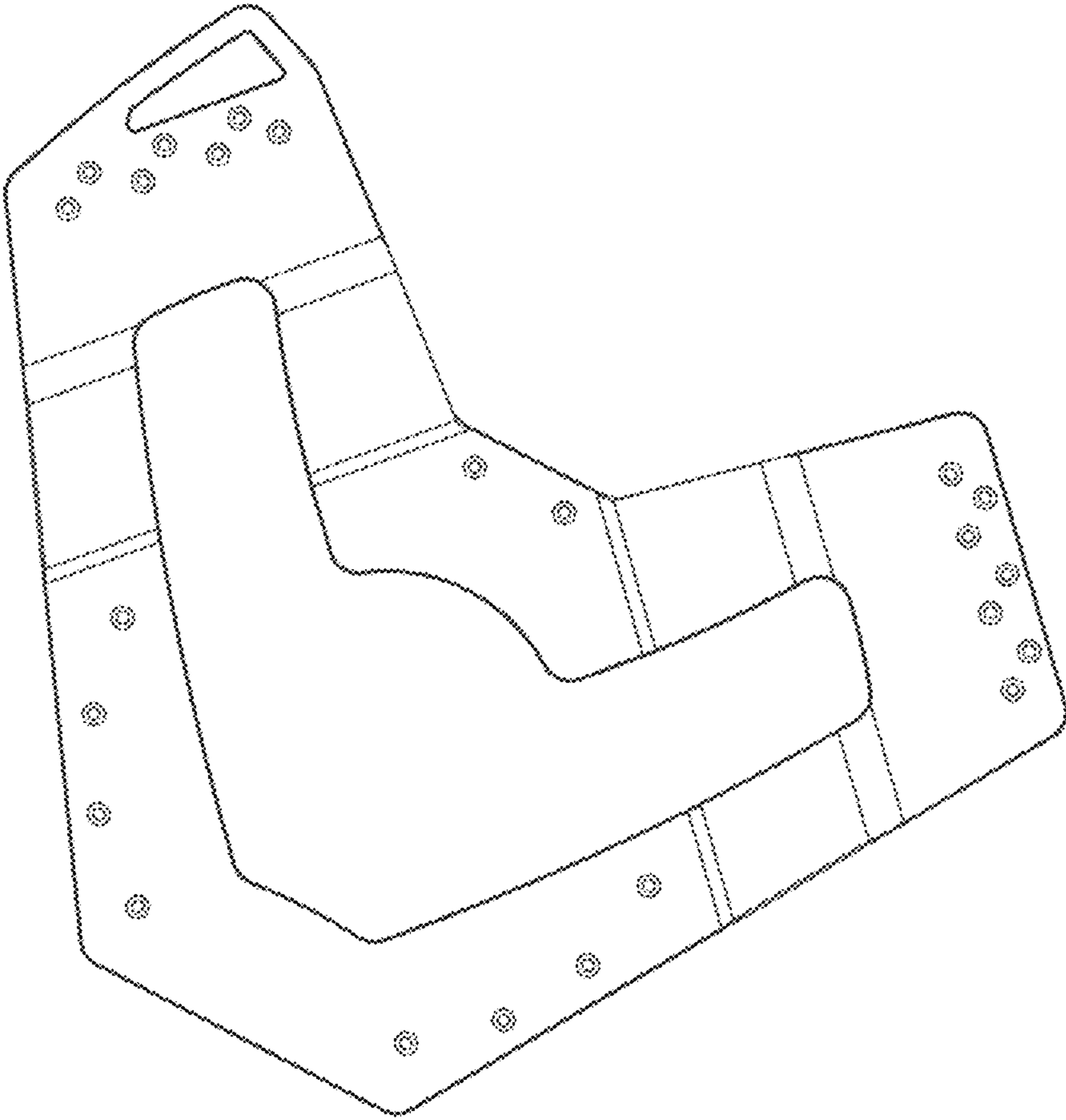


FIG. 2

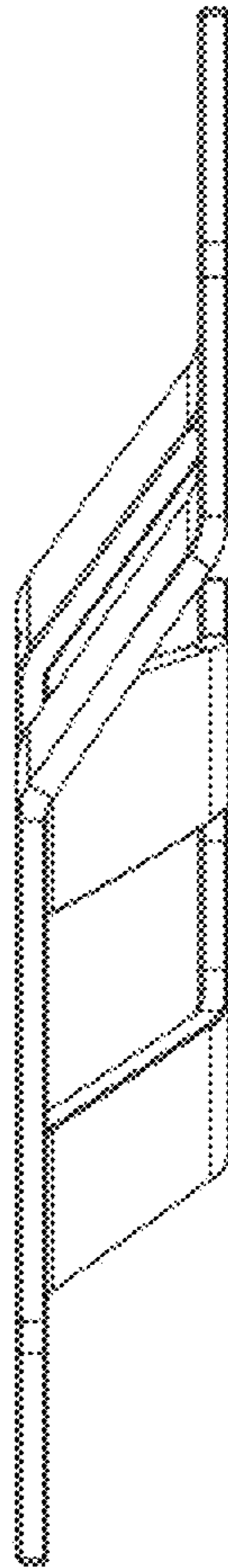


FIG. 3



FIG. 4

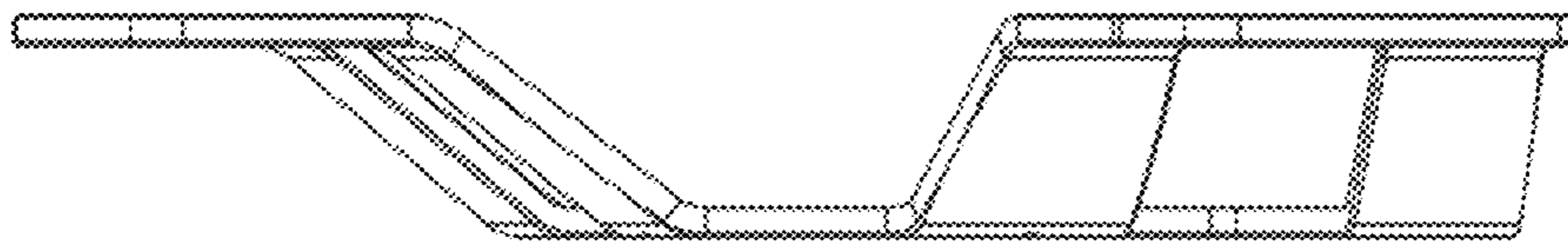


FIG. 5

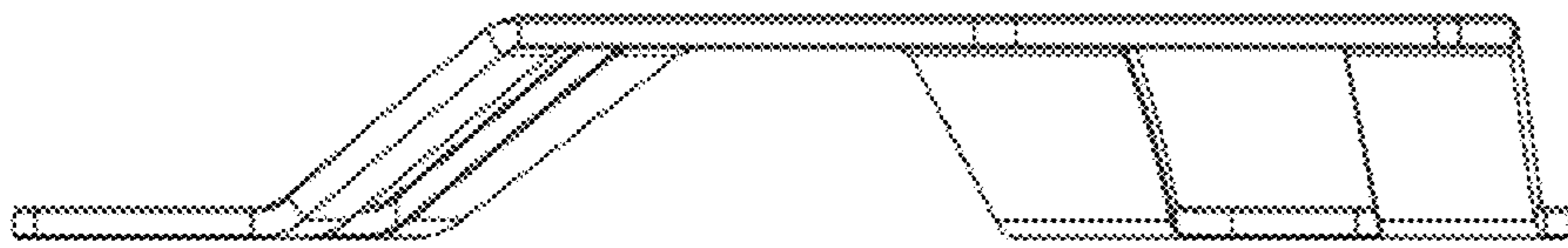


FIG. 6

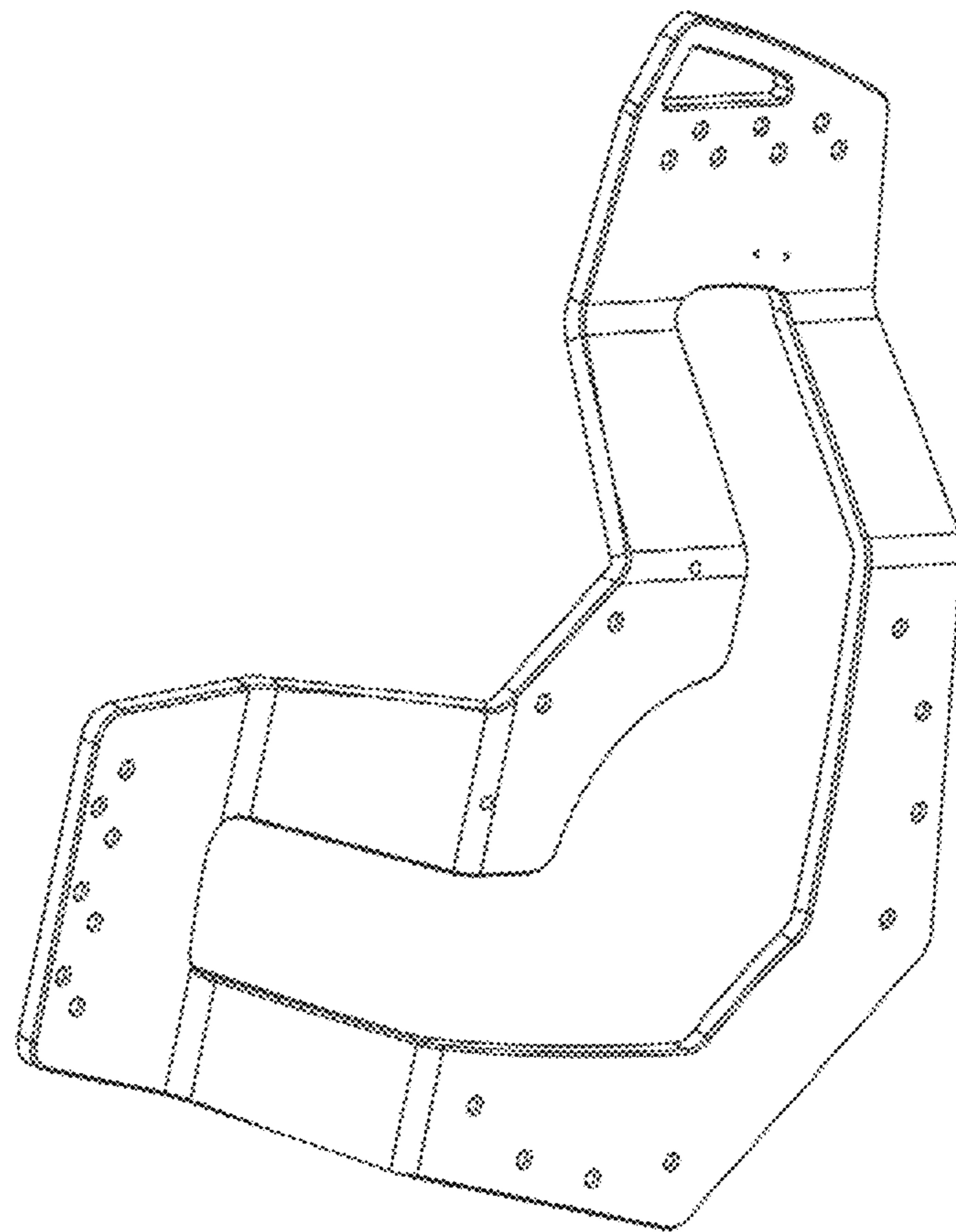


FIG. 7

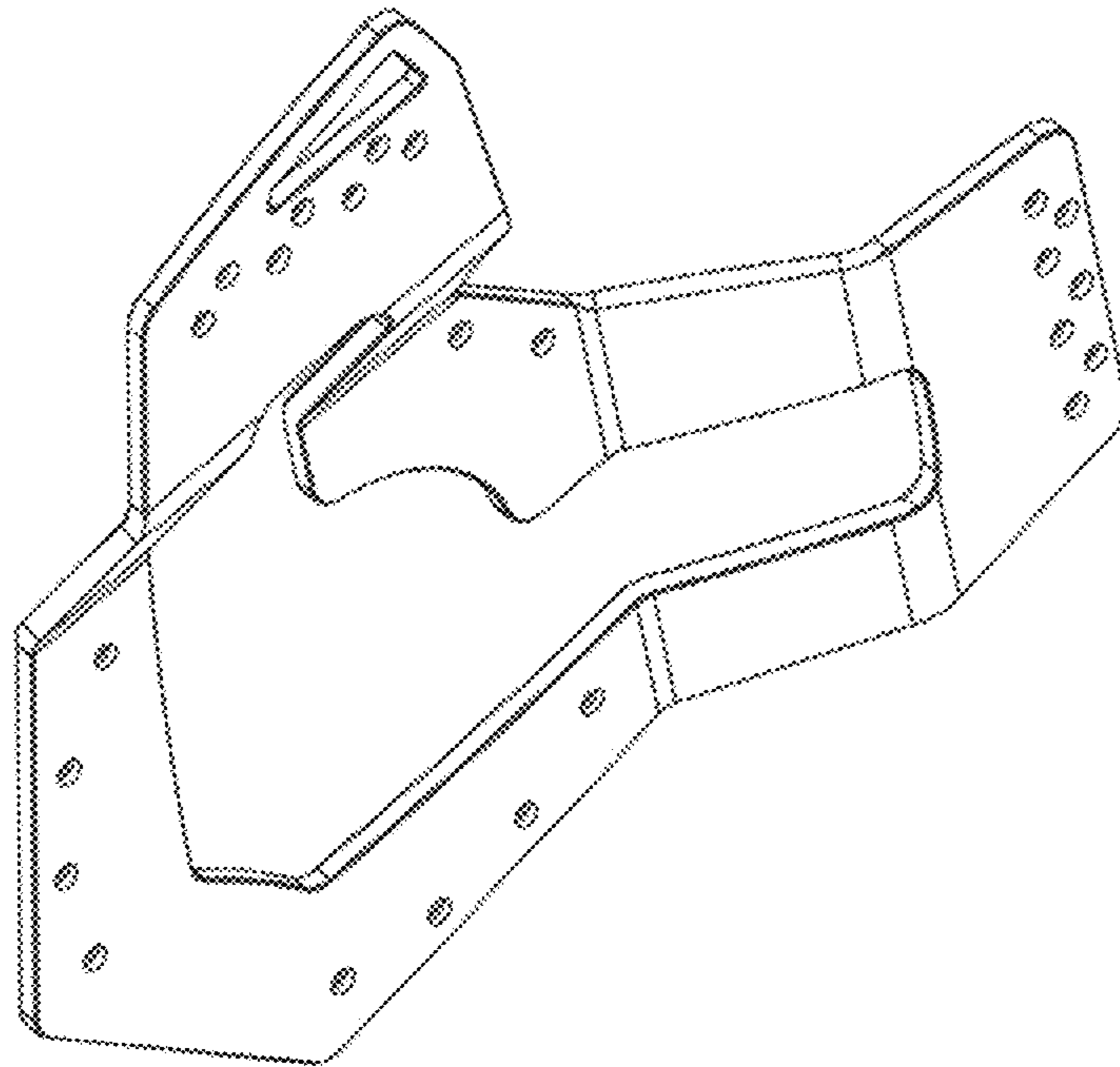


FIG. 8