



US00D819086S

(12) **United States Design Patent**  
**Klepacki**

(10) **Patent No.: US D819,086 S**

(45) **Date of Patent: \*\* May 29, 2018**

(54) **TRACK FOR TRACKLAYING VEHICLES**

(71) Applicant: **Maciej Klepacki**, Poznan (PL)

(72) Inventor: **Maciej Klepacki**, Poznan (PL)

(\*\*) Term: **15 Years**

(21) Appl. No.: **35/502,509**

(22) Filed: **Sep. 2, 2016**

(80) **Hague Agreement Data**

Int. Filing Date: **Sep. 2, 2016**

Int. Reg. No.: **DM/092955**

Int. Reg. Date: **Sep. 2, 2016**

Int. Reg. Pub. Date: **Mar. 3, 2017**

(51) **LOC (11) Cl. .... 12-09**

(52) **U.S. Cl.**  
USPC ..... **D15/24**

(58) **Field of Classification Search**  
USPC ..... D12/1-3; D34/29; D15/24  
CPC ..... G05D 1/00; G05D 1/021; A01B 69/00  
See application file for complete search history.

(56) **References Cited**

**U.S. PATENT DOCUMENTS**

- 5,404,660 A \* 4/1995 Webster ..... E02F 3/20  
172/247
- 6,921,140 B2 \* 7/2005 Simons ..... B60S 1/68  
305/107
- D592,228 S \* 5/2009 Davis ..... B66C 23/36  
D15/24
- D661,224 S \* 6/2012 Allaire ..... D12/12
- 8,702,183 B2 \* 4/2014 Yoshida ..... B62D 55/104  
305/132

- 8,776,312 B2 \* 7/2014 Overholt ..... A47L 9/0444  
15/413
- 8,844,665 B2 \* 9/2014 Wenger ..... B62D 5/063  
180/193
- 8,881,962 B2 \* 11/2014 Wetsch ..... B65B 55/20  
225/106
- 8,914,940 B2 \* 12/2014 Morgan ..... A47L 5/30  
15/351
- 9,387,894 B2 \* 7/2016 Kita ..... B62D 55/32
- D786,312 S \* 5/2017 Okuyama ..... D12/14
- 9,849,678 B2 \* 12/2017 Sakai ..... B41J 2/16508

\* cited by examiner

*Primary Examiner* — Michael A. Pratt

(57) **CLAIM**

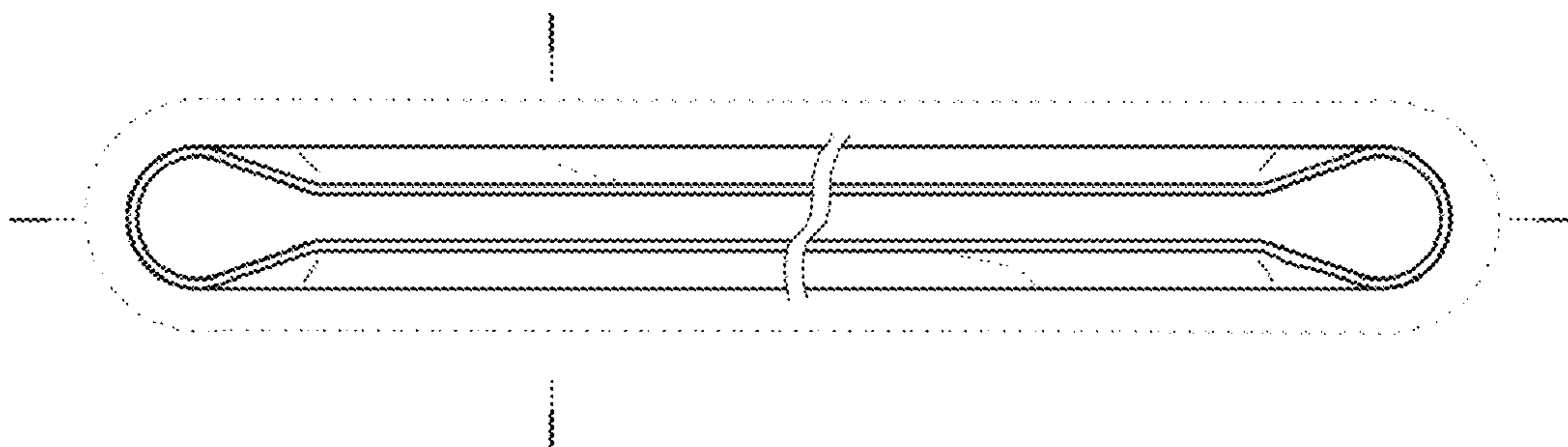
The ornamental design for track for tracklaying vehicles, as shown and described.

**DESCRIPTION**

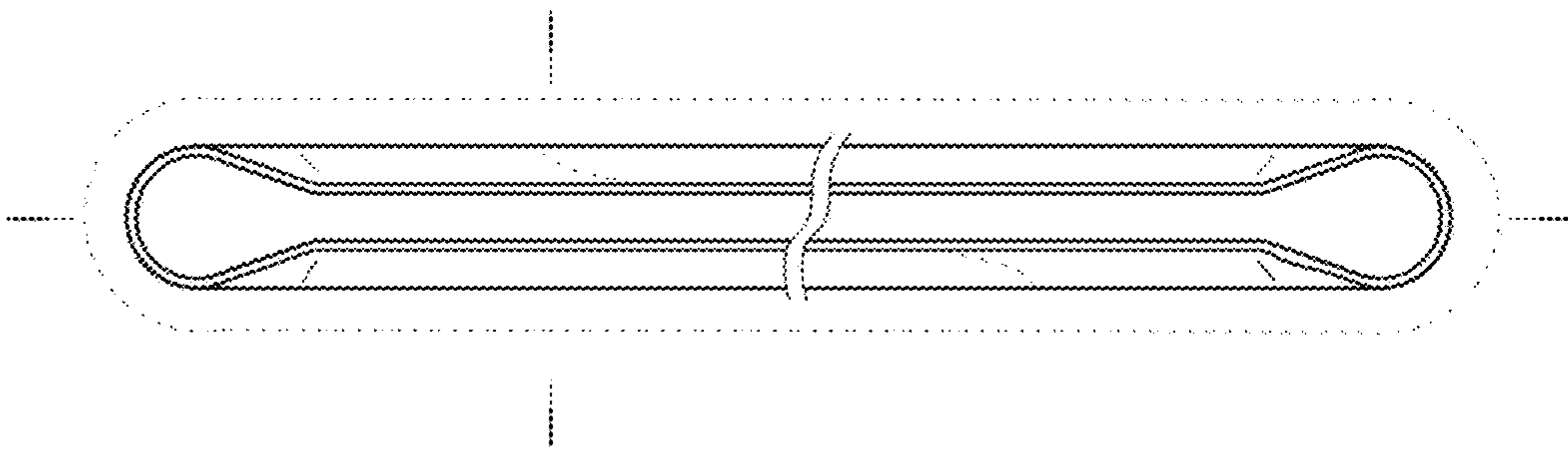
- 1. Track for tracklaying vehicles
- 1.1 : Front
- 1.2 : Right
- 1.3 : Left
- 1.4 : Back
- 1.5 : Bottom
- 1.6 : Top
- 1.7 : Cross-sectional
- 1.8 : Cross-sectional
- 1.9 : Perspective

The short thin lines not connected to outline are not part of surface ornament, but are supposed to describe the curvature of the 3D surface; the parts shown by means of broken lines in the reproductions are not part of the claimed design; the pair of thin wave lines on each drawing indicates a broken view.

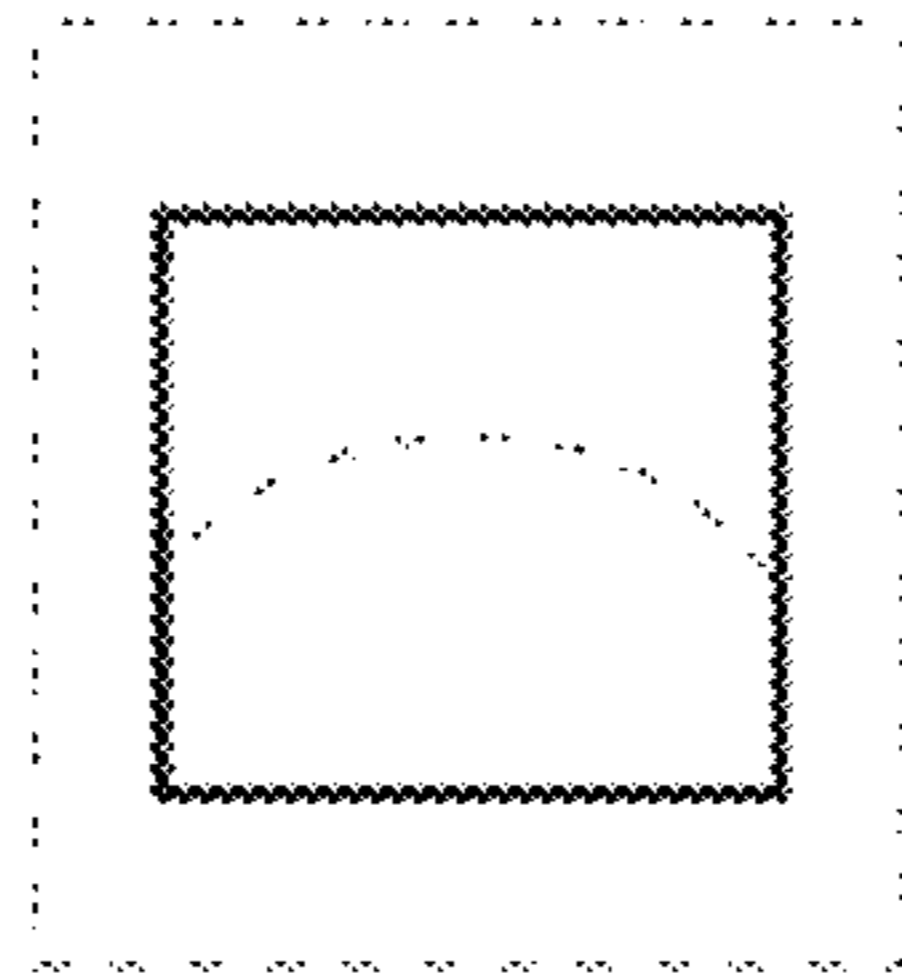
**1 Claim, 9 Drawing Sheets**



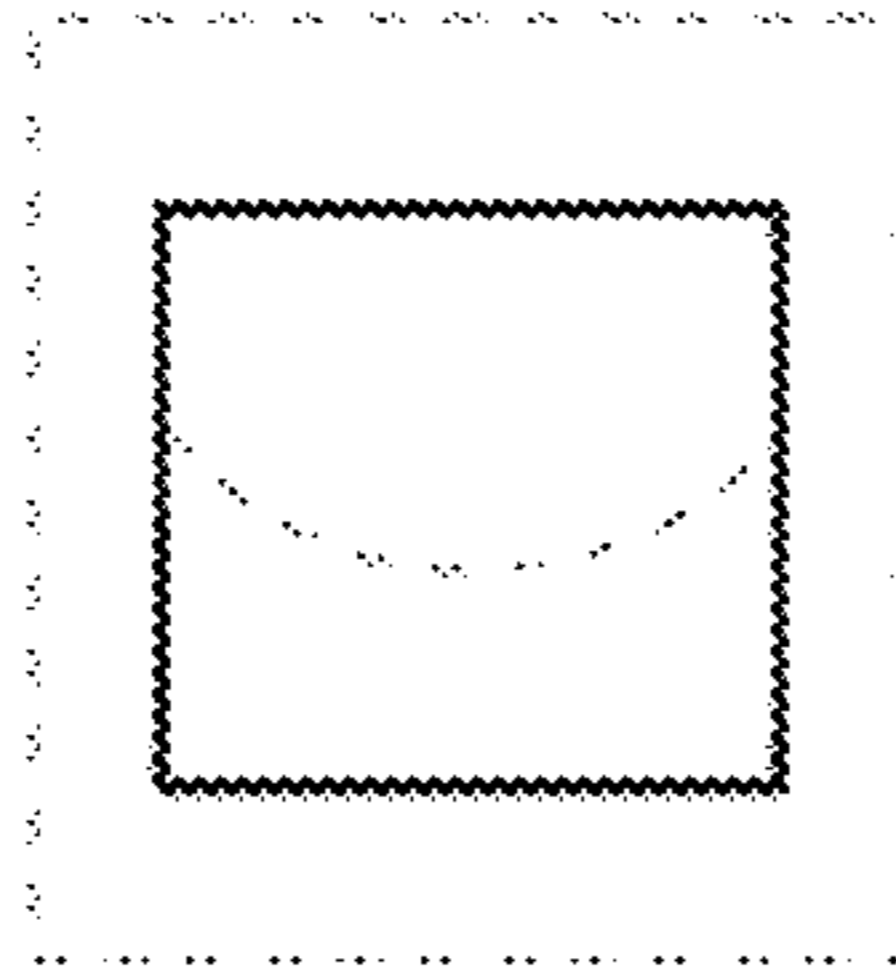
1.1



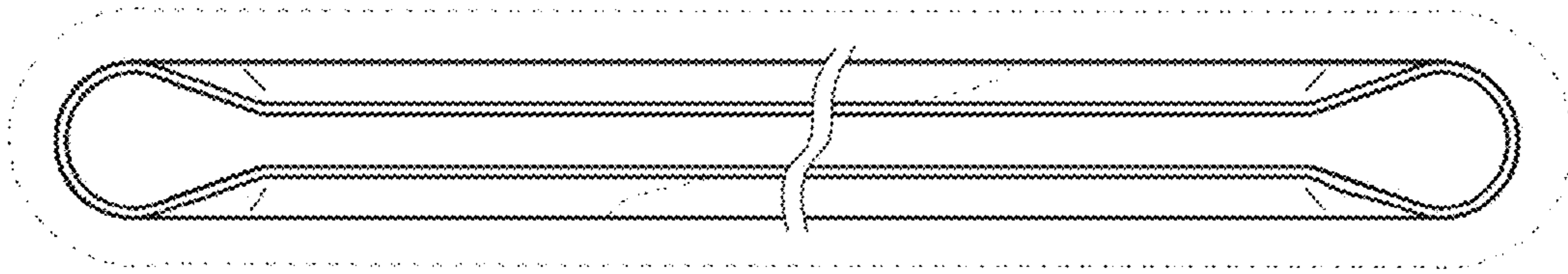
1.2



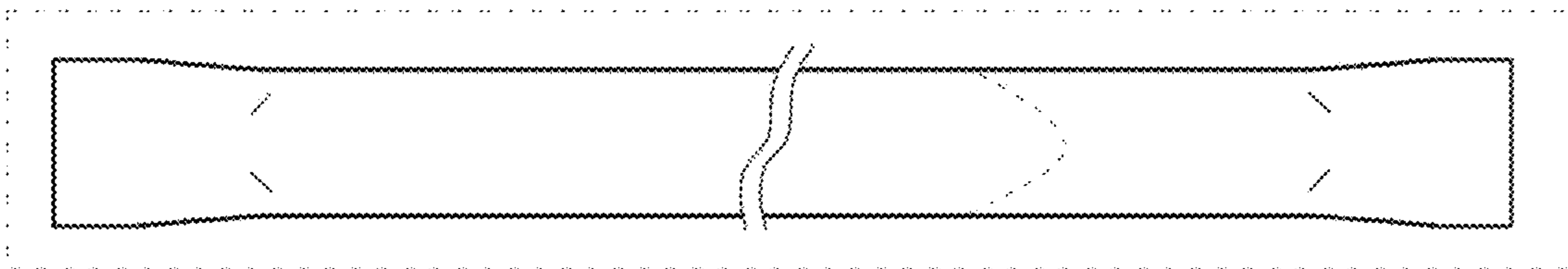
1.3



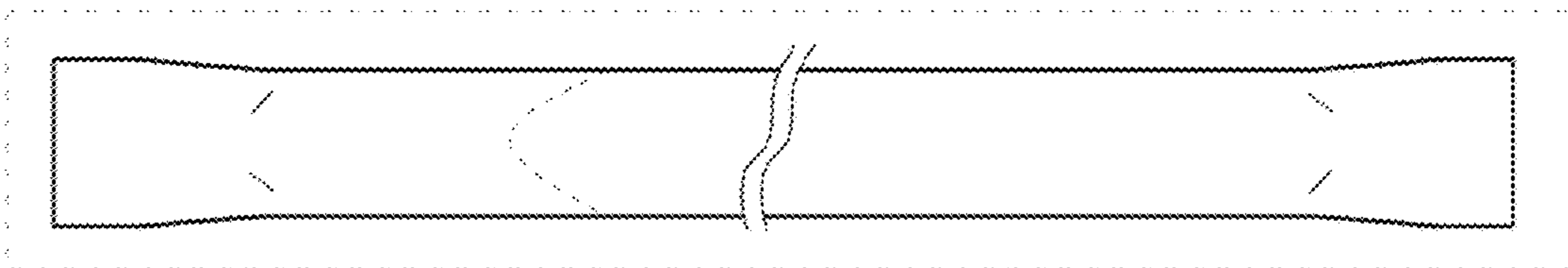
1.4



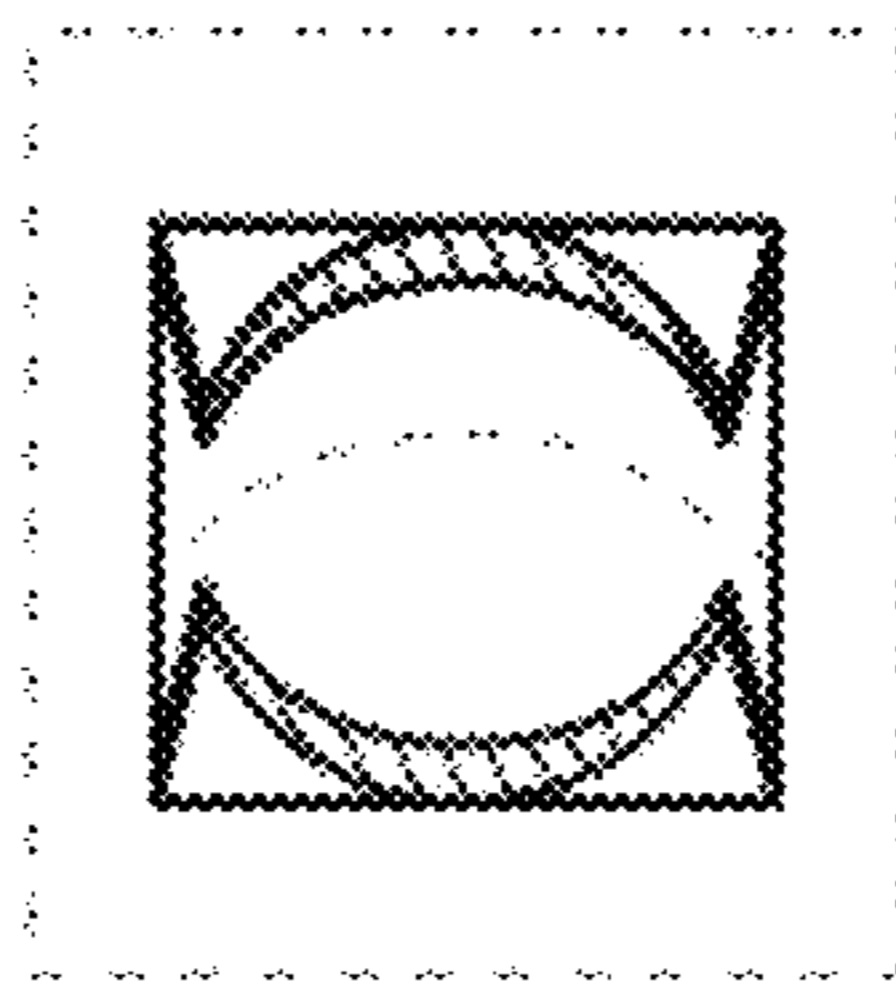
1.5



1.6

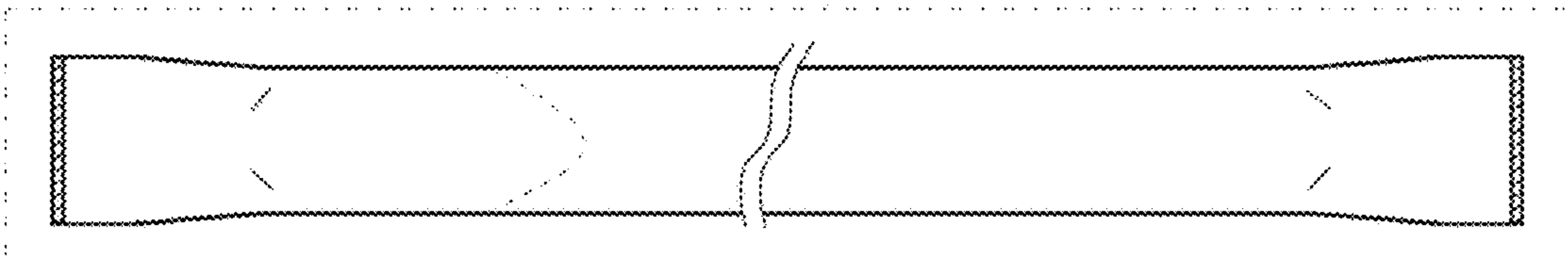


1.7





1.8



1.9

