



US00D819085S

(12) **United States Design Patent**
Ferguson

(10) **Patent No.:** **US D819,085 S**
(45) **Date of Patent:** **** May 29, 2018**

- (54) **TRANSMISSION PUMP**
- (71) Applicant: **David Ryan Ferguson**, Richmond, IN (US)
- (72) Inventor: **David Ryan Ferguson**, Richmond, IN (US)
- (**) Term: **15 Years**
- (21) Appl. No.: **29/598,246**
- (22) Filed: **Mar. 23, 2017**
- (51) **LOC (11) Cl.** **15-02**
- (52) **U.S. Cl.**
USPC **D15/7**
- (58) **Field of Classification Search**
USPC D15/5, 7-9; D23/231, 232, 225; 417/60, 417/235, 265, 321, 355, 358, 363, 359, 417/410.1, 415-416, 405, 900, 269, 539; 60/408, 412; 184/26-37; 415/140-147; 123/495, 509; 137/565.34
CPC F02M 37/04; F02M 37/14; F04B 53/92; F04B 1/005; F04B 27/0414; F04D 13/06; F04D 29/22; F04D 29/046; F04D 29/2266
See application file for complete search history.

D602,501 S *	10/2009	Ton	D15/7
D609,249 S *	2/2010	Foreman	D15/7
D611,504 S *	3/2010	Ton	D15/7
D622,736 S *	8/2010	Le	D15/7
D631,066 S *	1/2011	Itadani	D15/9
D648,747 S *	11/2011	McCombs	D15/9
D654,508 S *	2/2012	Foreman	D15/7
D698,368 S *	1/2014	Le	D15/7
D700,212 S *	2/2014	Alexander	D15/7
D700,628 S *	3/2014	Chu	D15/9
D706,834 S *	6/2014	Nowicki	D15/9
D707,717 S *	6/2014	King	D15/7
D738,935 S *	9/2015	Chu	D15/9
D759,123 S *	6/2016	Van Dyke	D15/7
D763,323 S *	8/2016	Mikulic	D15/9
D770,537 S *	11/2016	Ootake	D15/7
D788,180 S *	5/2017	Mantes	D15/7

* cited by examiner

Primary Examiner — Ralf Seifert
(74) *Attorney, Agent, or Firm* — Cionca IP Law P.C.;
Marin Cionca

(57) **CLAIM**

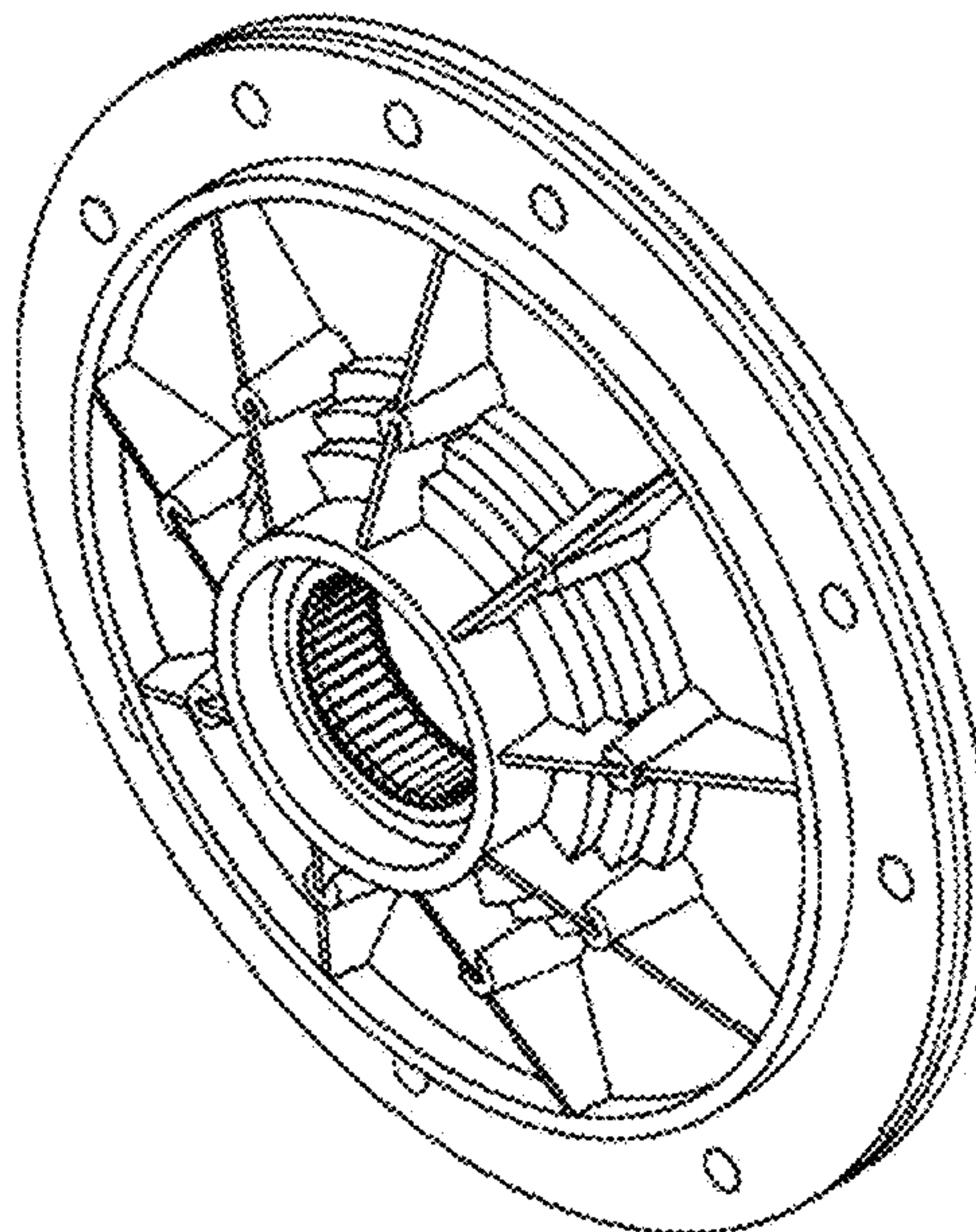
The ornamental design for a transmission pump, as shown and described.

DESCRIPTION

FIG. 1 is a top perspective view of a transmission pump showing the new design;
FIG. 2 is a bottom plan view thereof;
FIG. 3 is a bottom perspective view thereof;
FIG. 4 is a side elevation view thereof, all sides being similar;
FIG. 5 is a sectional side elevation view thereof; and,
FIG. 6 is a top plan view thereof with a line showing the plane of the sectional view of FIG. 5.

1 Claim, 4 Drawing Sheets

- (56) **References Cited**
U.S. PATENT DOCUMENTS
- | | | | | |
|--------------|---------|----------|-------|-------|
| D239,210 S * | 3/1976 | Marlow | | D15/7 |
| D469,111 S * | 1/2003 | Morita | | D15/9 |
| D490,819 S * | 6/2004 | Wahlberg | | D15/7 |
| D545,326 S * | 6/2007 | Zellers | | D15/7 |
| D555,174 S * | 11/2007 | Hwang | | D15/9 |
| D570,374 S * | 6/2008 | Hideki | | D15/7 |
| D570,375 S * | 6/2008 | Hideki | | D15/7 |
| D589,534 S * | 3/2009 | Chu | | D15/9 |



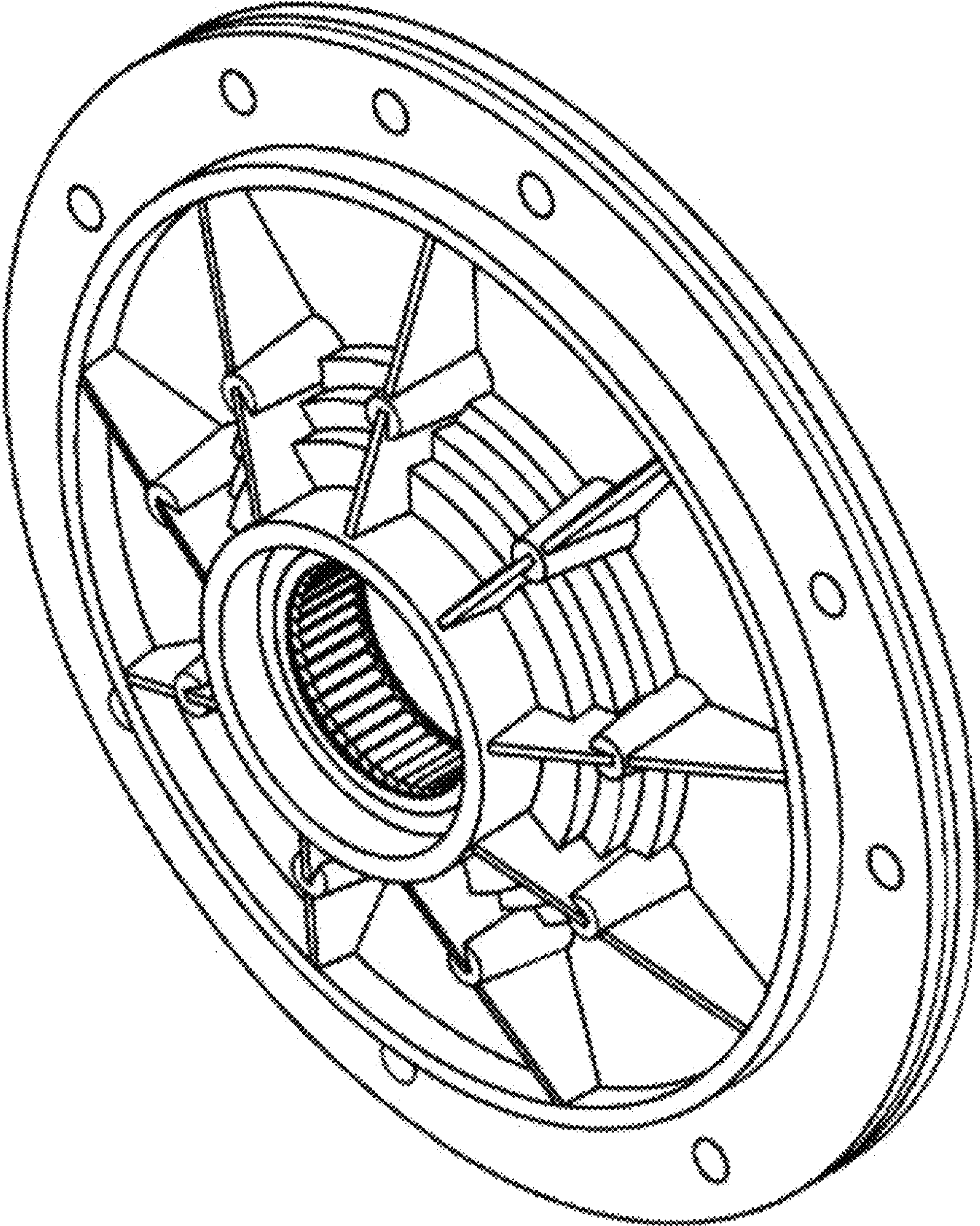


FIG. 1

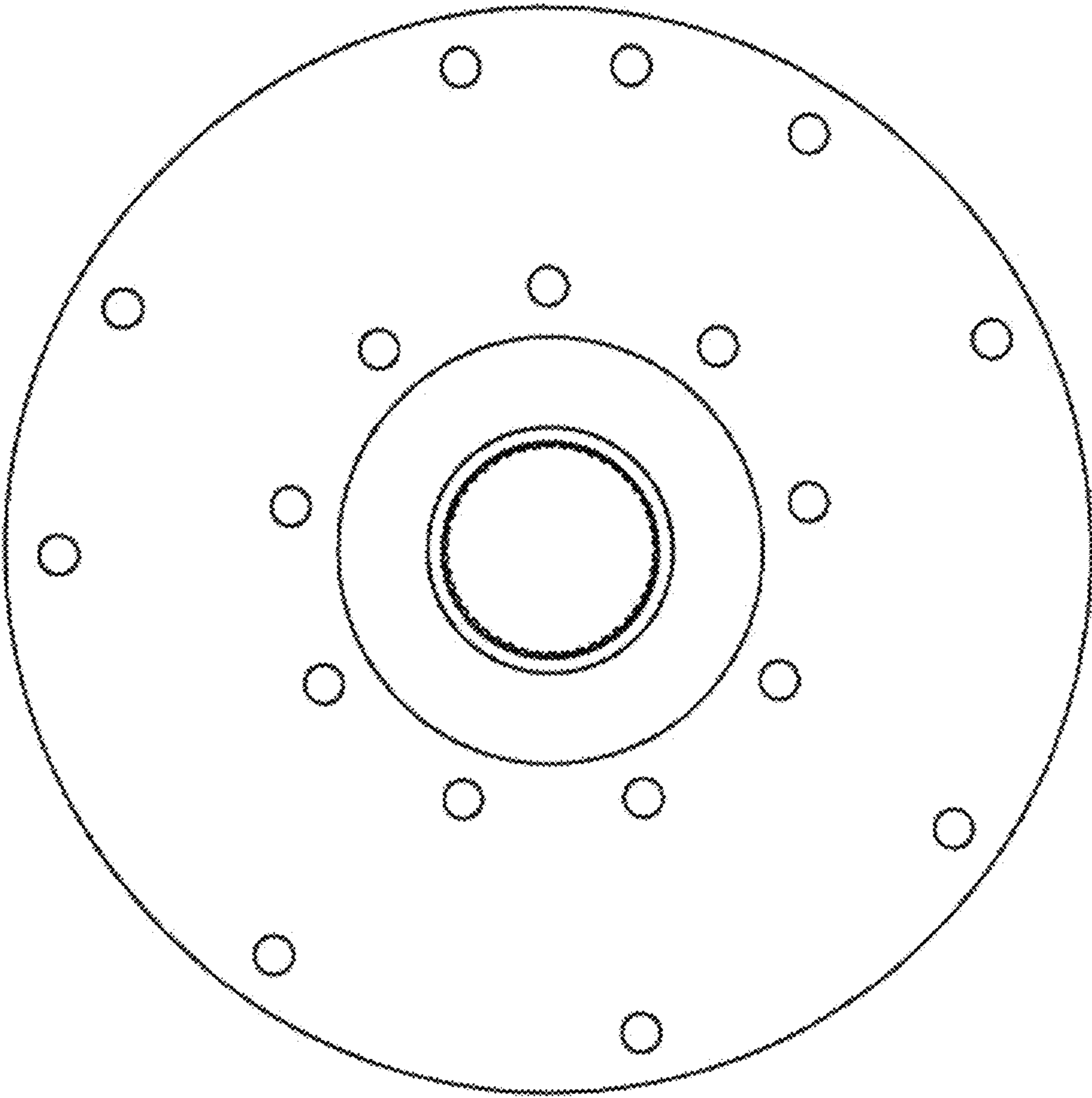


FIG. 2

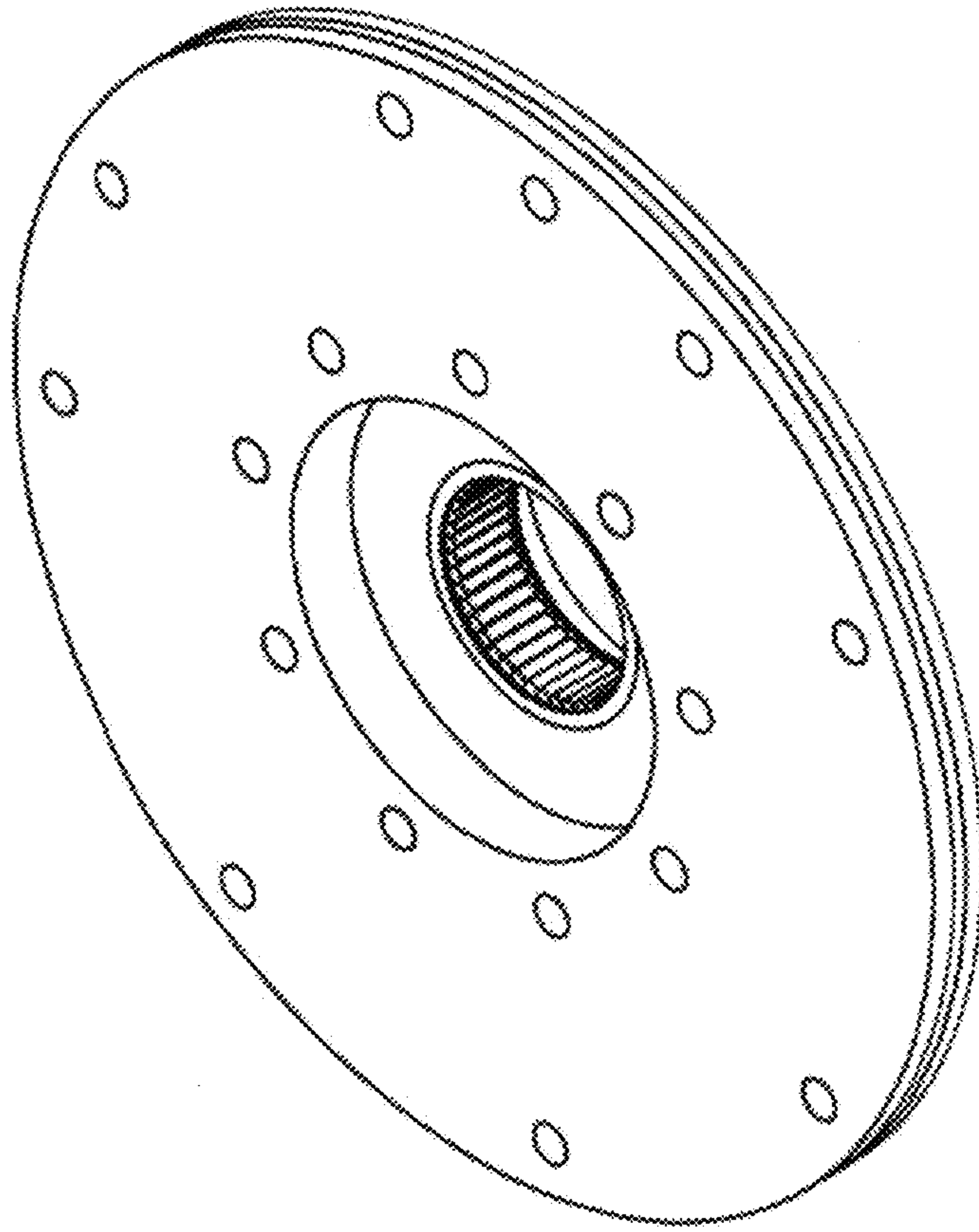


FIG. 3

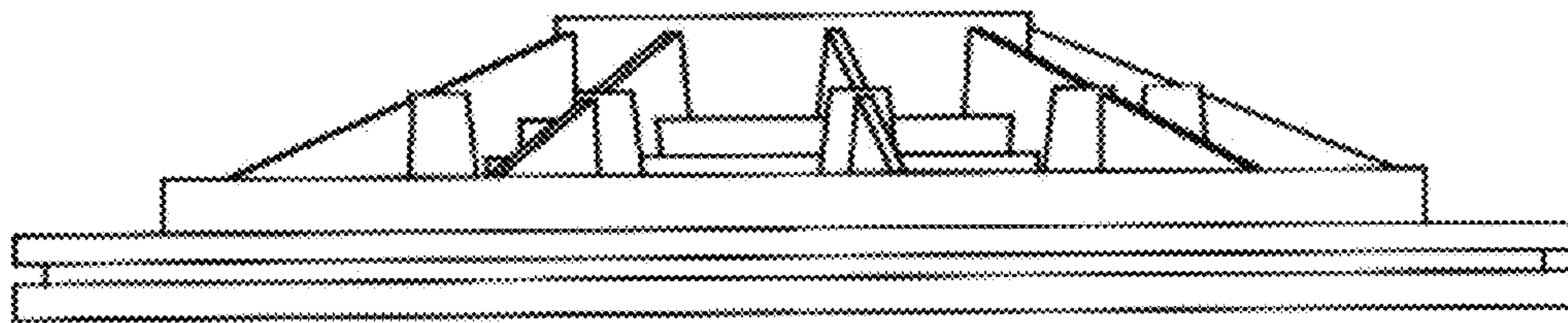


FIG. 4

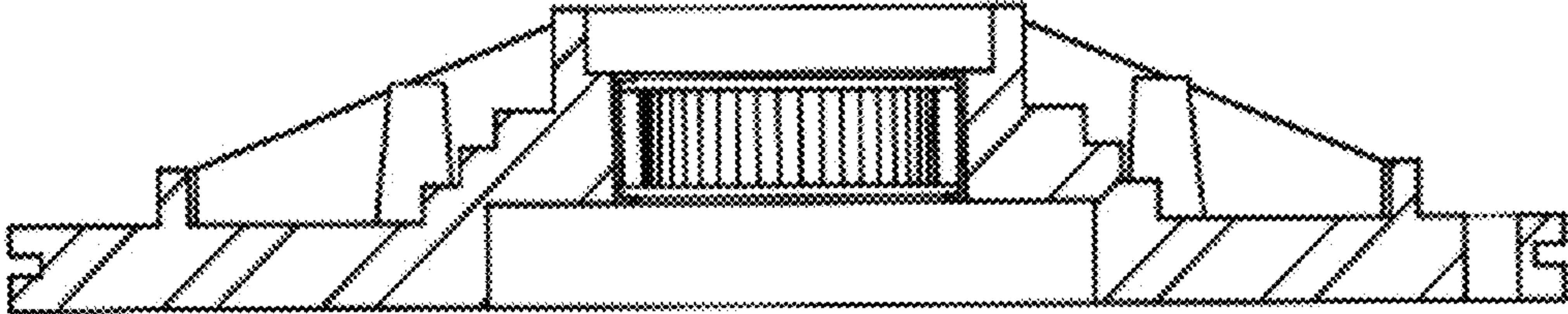


FIG. 5

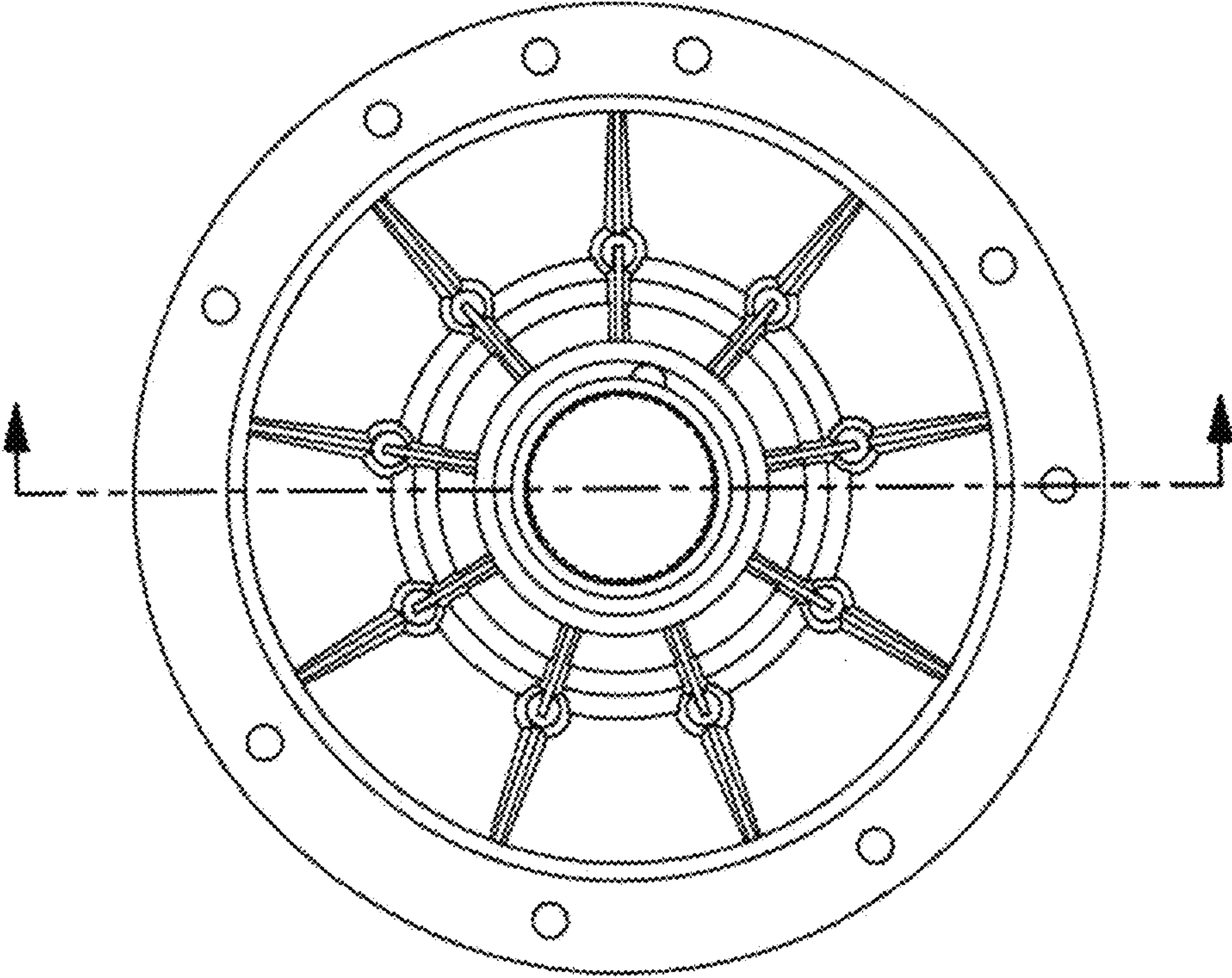


FIG. 6