



US00D819083S

(12) **United States Design Patent** (10) **Patent No.:** **US D819,083 S**
Fisher et al. (45) **Date of Patent:** **** May 29, 2018**

(54) **HYDRAULIC POWER UNIT**

(71) Applicant: **Eaton Corporation**, Cleveland, OH (US)
(72) Inventors: **Daniel P. Fisher**, Coldwater, MI (US); **Andrew N. Edler**, Homer, MI (US); **Scott M. Besemer**, Battle Creek, MI (US); **Jeffrey A. Oesch**, Roseville, MI (US); **Matthew G. Fox**, Ceresco, MI (US)

(**) Term: **15 Years**

(21) Appl. No.: **29/589,708**
(22) Filed: **Jan. 4, 2017**

Related U.S. Application Data

(63) Continuation-in-part of application No. 29/561,207, filed on Apr. 14, 2016, now Pat. No. Des. 776,719, which is a continuation-in-part of application No. 29/549,910, filed on Dec. 29, 2015, now Pat. No. Des. 771,147, which is a continuation-in-part of application No. 29/508,563, filed on Nov. 7, 2014, now abandoned.

(51) **LOC (11) Cl.** **15-01**
(52) **U.S. Cl.**
USPC **D15/5**

(58) **Field of Classification Search**
USPC D15/5, 7, 8, 9, 148, 149, 199; 475/226, 475/220, 149, 150, 151, 152, 153, 154, 475/249, 248, 231; D23/231, 232; D12/160, 159; 418/61.3; 180/65.235; 60/426
CPC F15B 11/162; F15B 11/26; F15B 13/044; F15B 13/026; F15B 2211/781; F16H 39/40

See application file for complete search history.

(56) **References Cited**

U.S. PATENT DOCUMENTS

2,239,866 A 4/1941 Vickers
2,853,091 A 9/1958 Tuer
2,917,898 A 12/1959 Berry
4,479,395 A 10/1984 Riley
D308,209 S 5/1990 Laqua et al.
D339,810 S * 9/1993 Hansen D15/7
5,827,145 A 10/1998 Okcuoglu
7,472,547 B2 1/2009 Grosskopf et al.
7,857,723 B2 12/2010 Krisher
(Continued)

FOREIGN PATENT DOCUMENTS

EP 0481022 B1 11/1995
Primary Examiner — T. Chase Nelson
Assistant Examiner — Ania Aman
(74) *Attorney, Agent, or Firm* — RMCK Law Group PLC

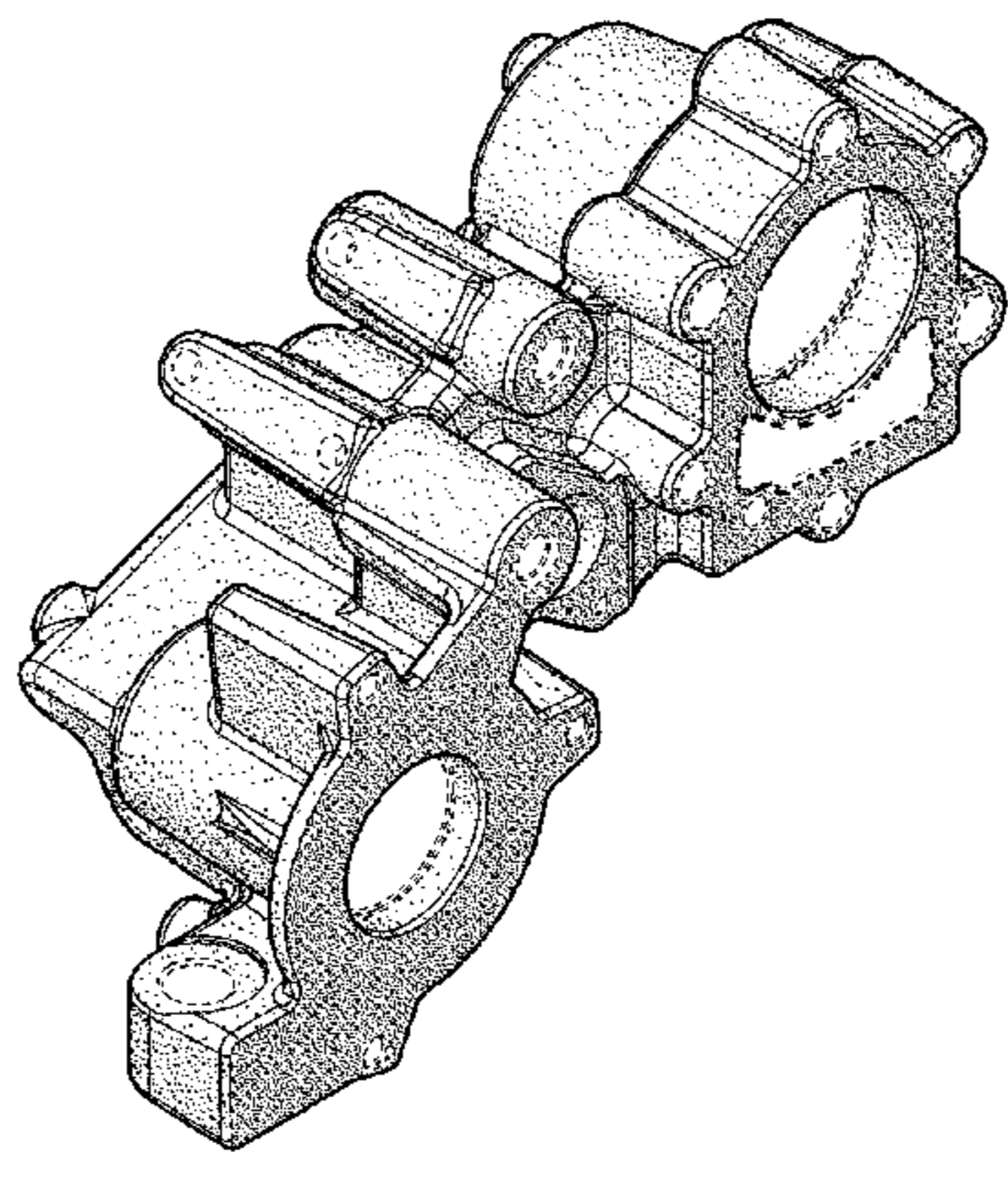
(57) **CLAIM**

The ornamental design for a hydraulic power unit, as shown and described.

DESCRIPTION

FIG. 1 is a front perspective view of a hydraulic power unit showing the new design.
FIG. 2 is a top view of the hydraulic power unit of FIG. 1.
FIG. 3 is a bottom view of the hydraulic power unit of FIG. 1.
FIG. 4 is a first side view of the hydraulic power unit of FIG. 1.
FIG. 5 is a second side view of the hydraulic power unit of FIG. 1.
FIG. 6 is a third side view of the hydraulic power unit of FIG. 1; and,
FIG. 7 is a fourth side view of the hydraulic power unit of FIG. 1.

(Continued)



The broken line showing portions of the hydraulic power unit form no part of the claimed design.

1 Claim, 5 Drawing Sheets

(56)

References Cited

U.S. PATENT DOCUMENTS

7,891,730	B2	2/2011	Rikkert
7,985,162	B2	7/2011	Buchele et al.
D741,916	S	10/2015	Fox
D744,542	S	12/2015	Edler et al.
D749,642	S	2/2016	Fisher et al.
2002/0103053	A1	8/2002	Thompson
2003/0059310	A1	3/2003	Koenig et al.
2005/0167228	A1	8/2005	Baxter
2008/0042488	A1	2/2008	Anderson
2008/0060867	A1	3/2008	Oda et al.
2009/0138166	A1	5/2009	Bruder
2010/0218746	A1	9/2010	Rabhi
2011/0147111	A1	6/2011	Sun et al.
2012/0329592	A1	12/2012	Sun et al.
2014/0179484	A1	6/2014	Fox et al.
2014/0274529	A1	9/2014	Edler et al.
2015/0105210	A1	4/2015	Wadhva et al.
2016/0076634	A1	3/2016	Mitsubori et al.
2016/0091077	A1	3/2016	Sotani et al.

* cited by examiner

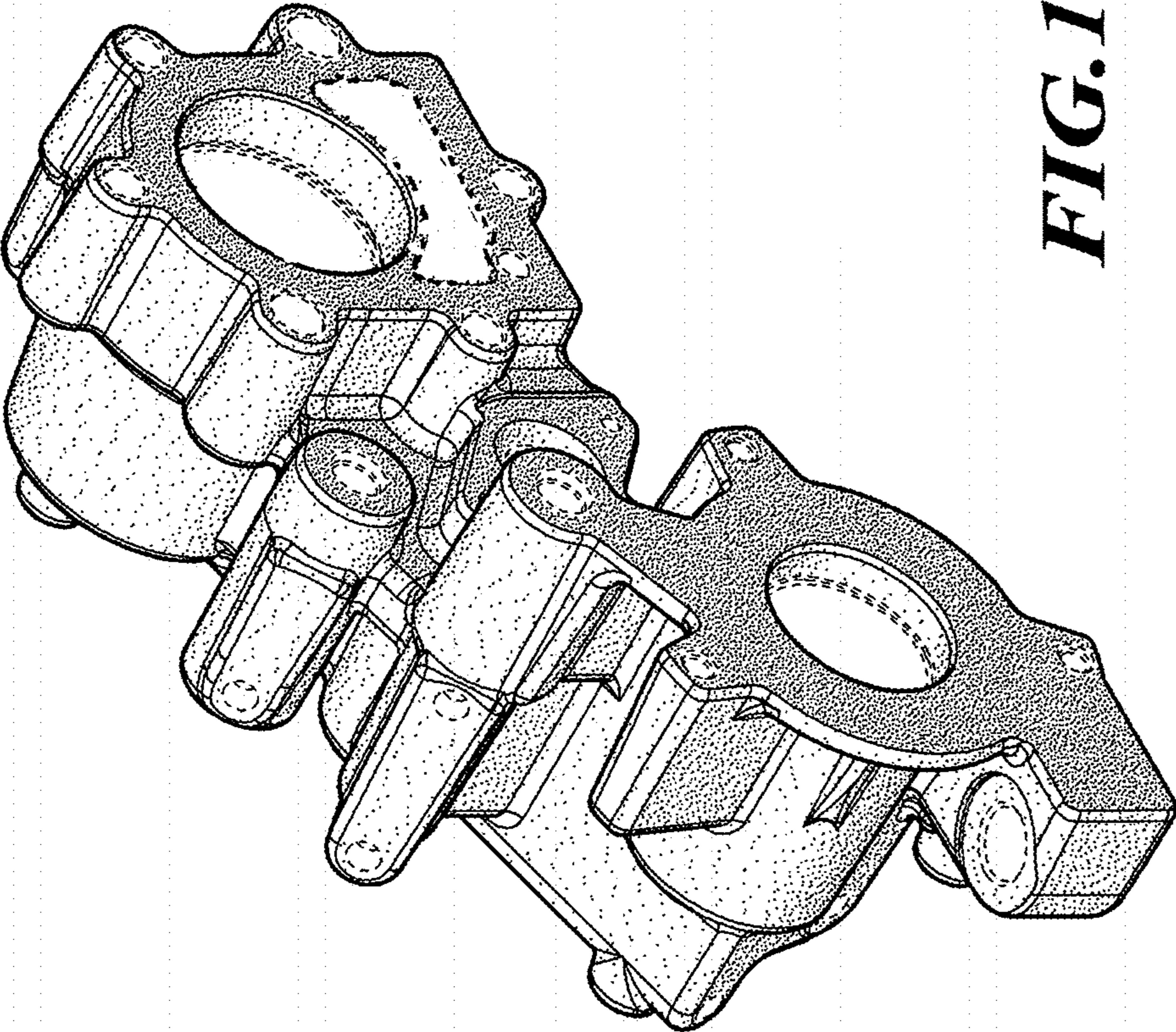


FIG. 1

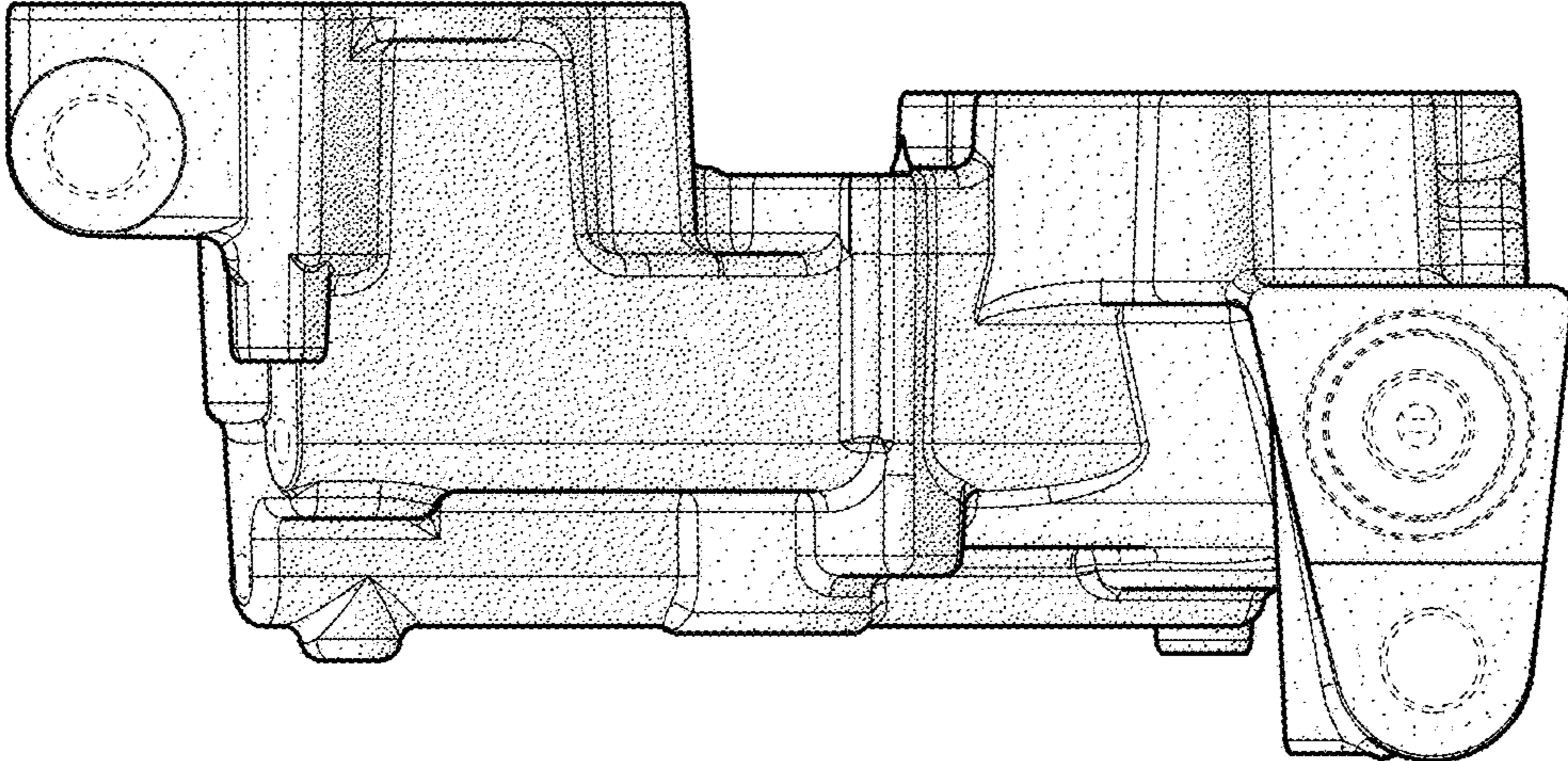


FIG. 3

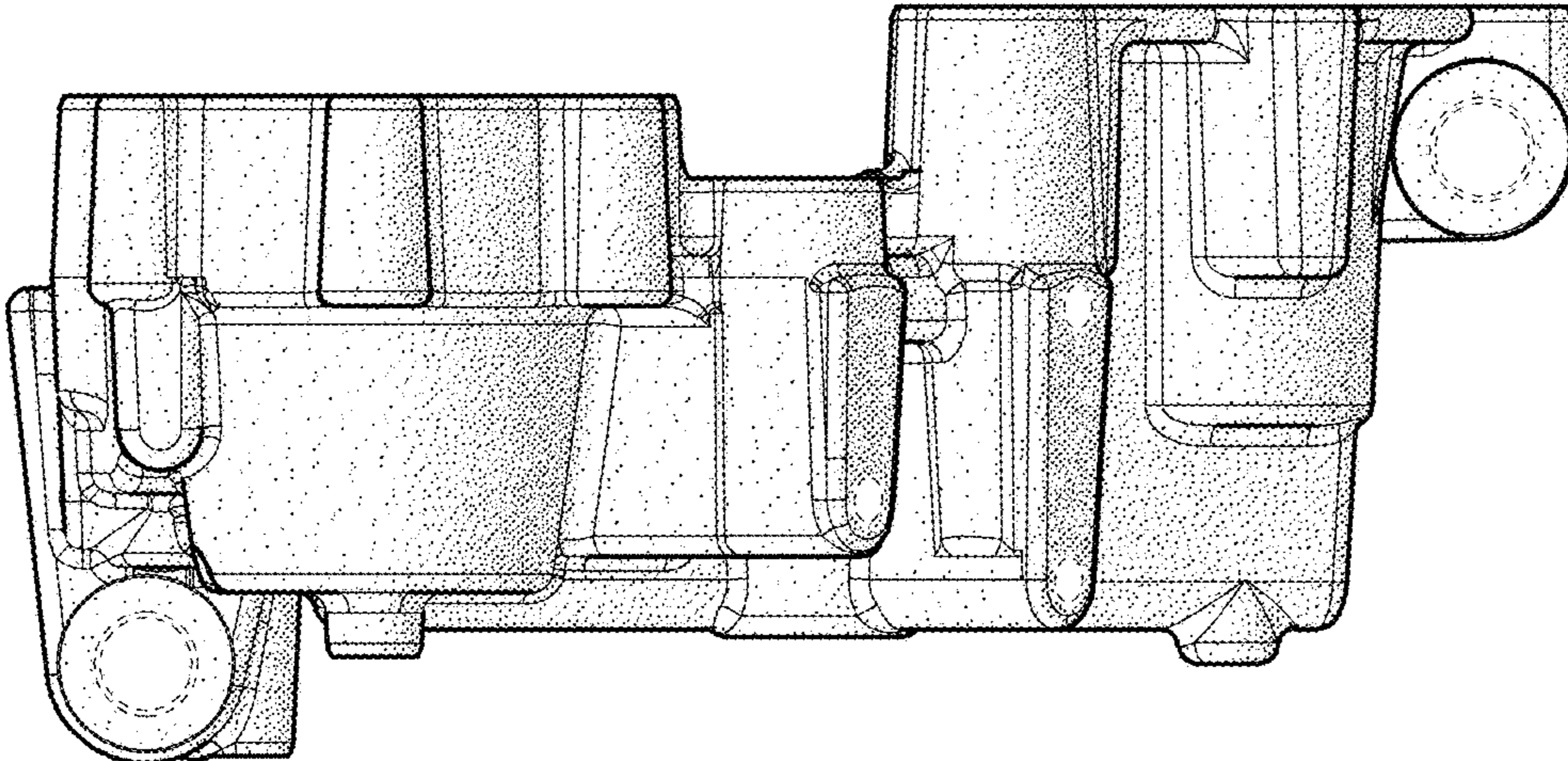


FIG. 2

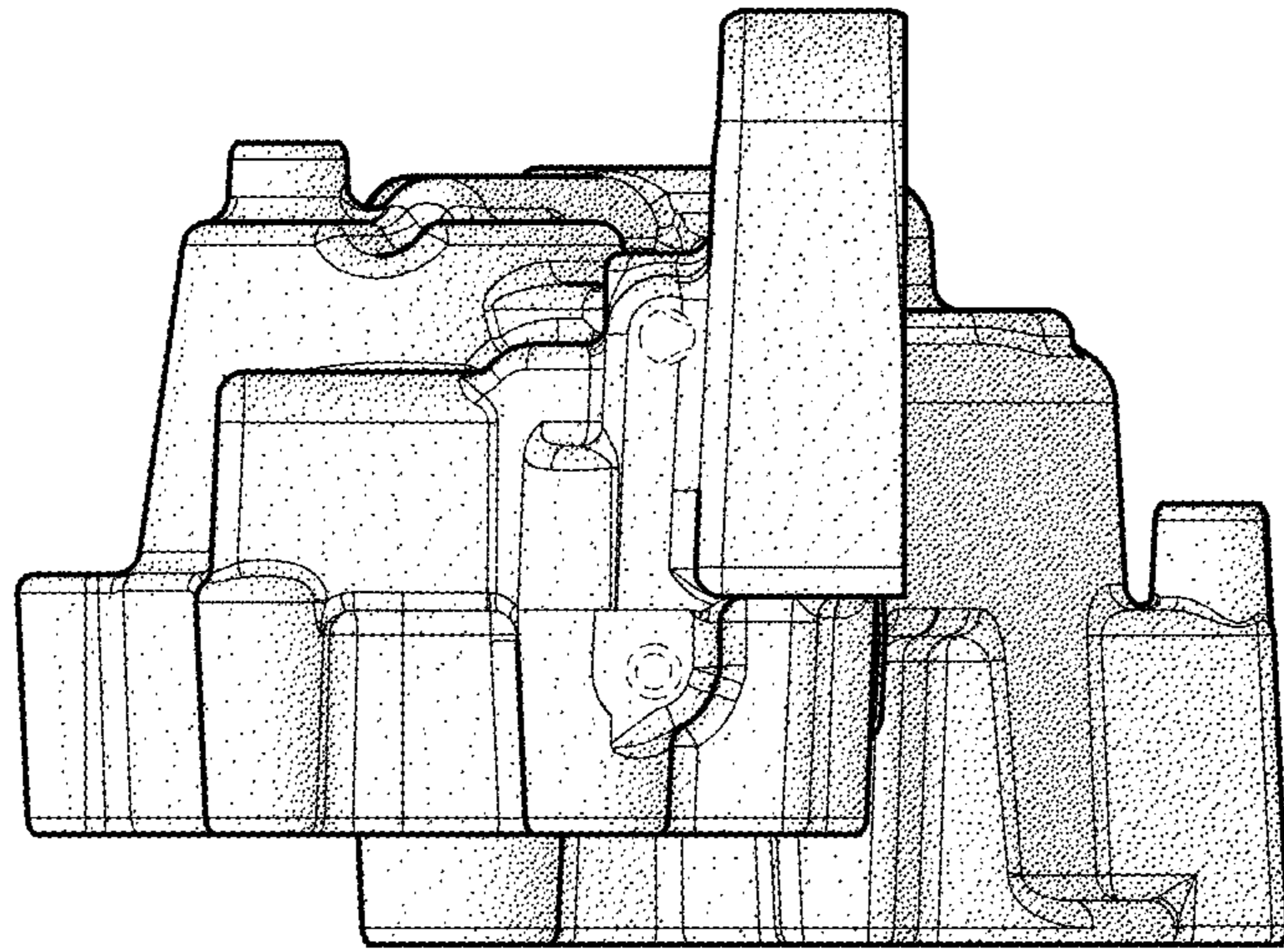


FIG. 5

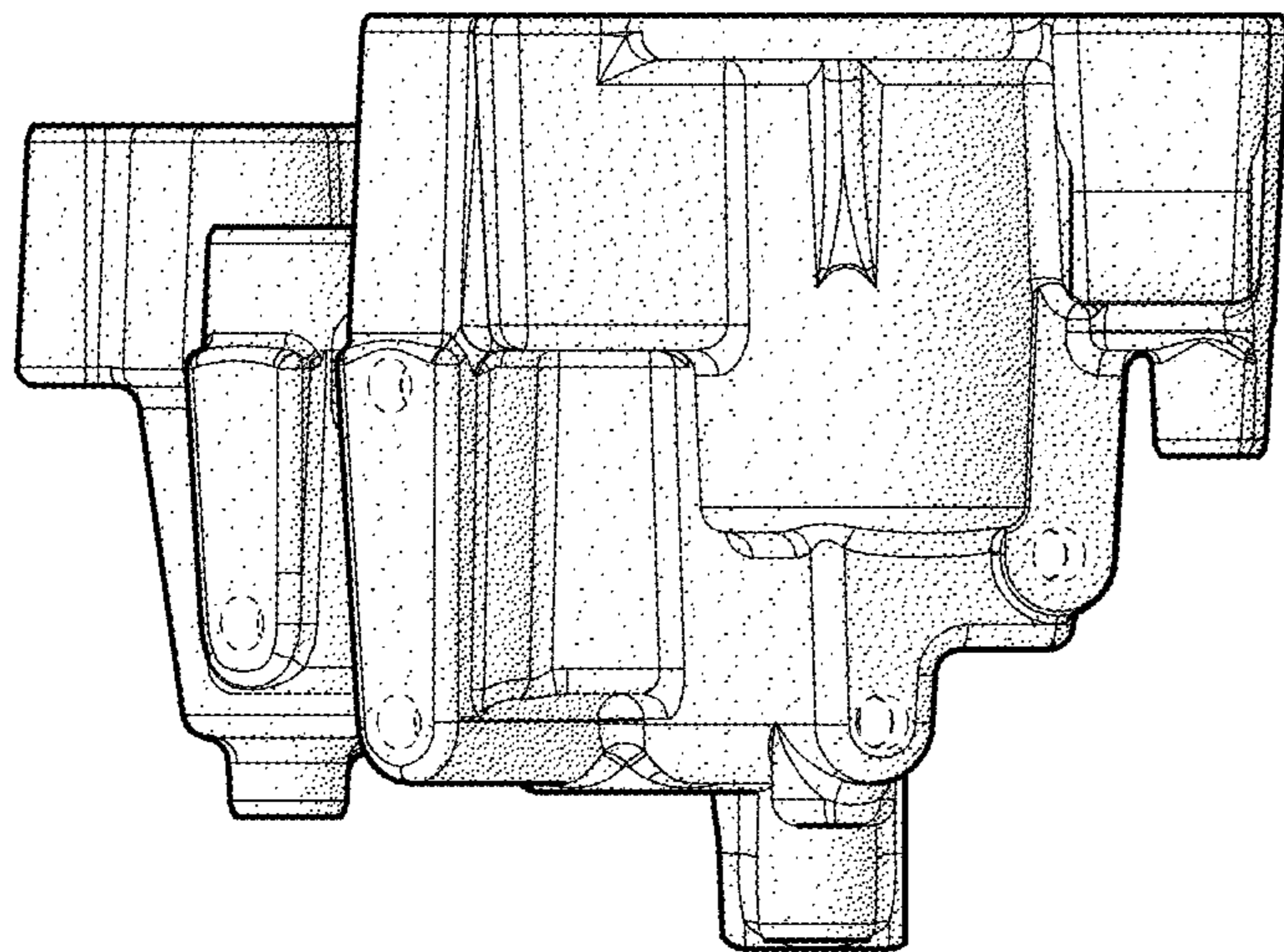


FIG. 4

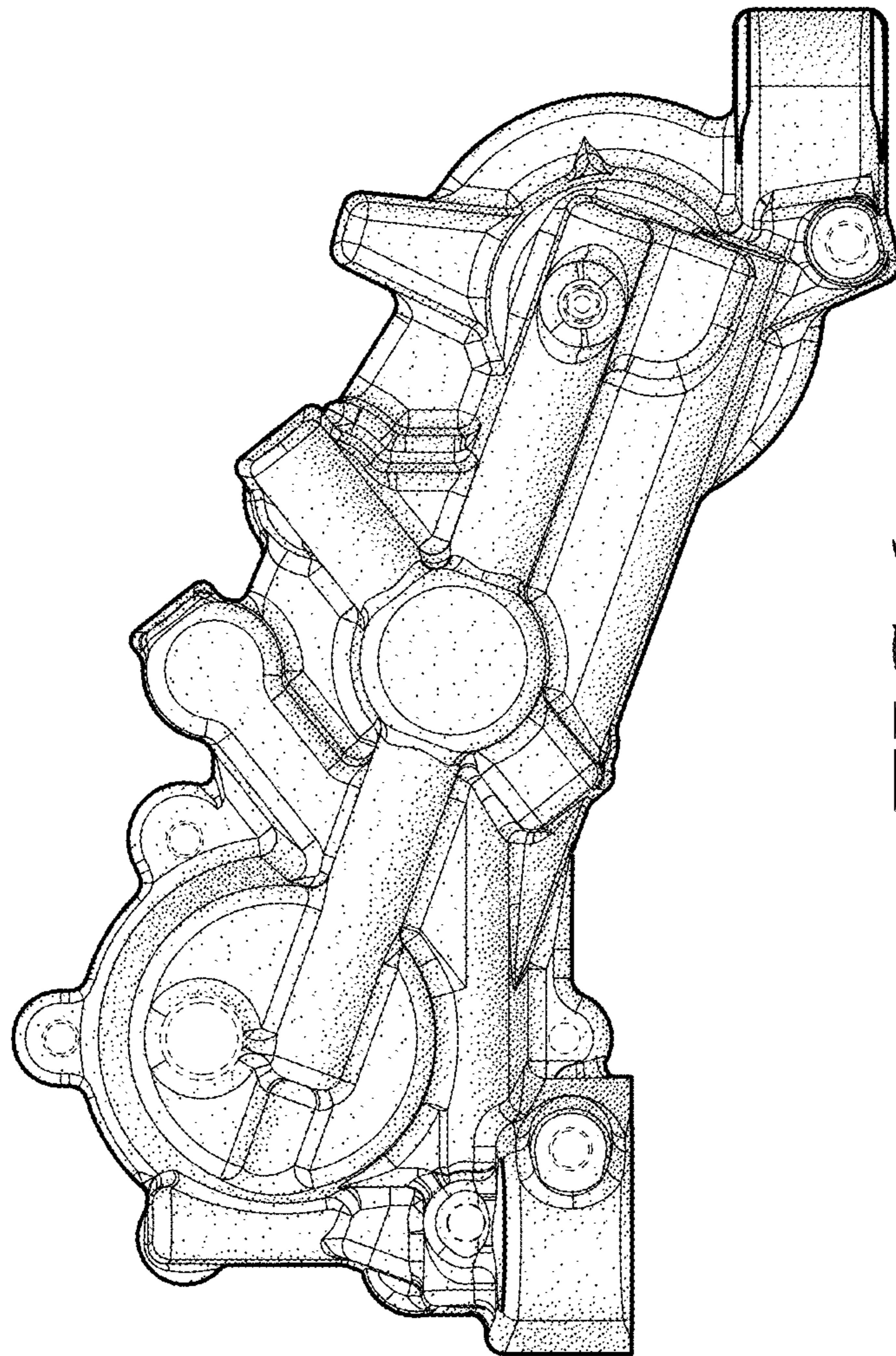


FIG. 6

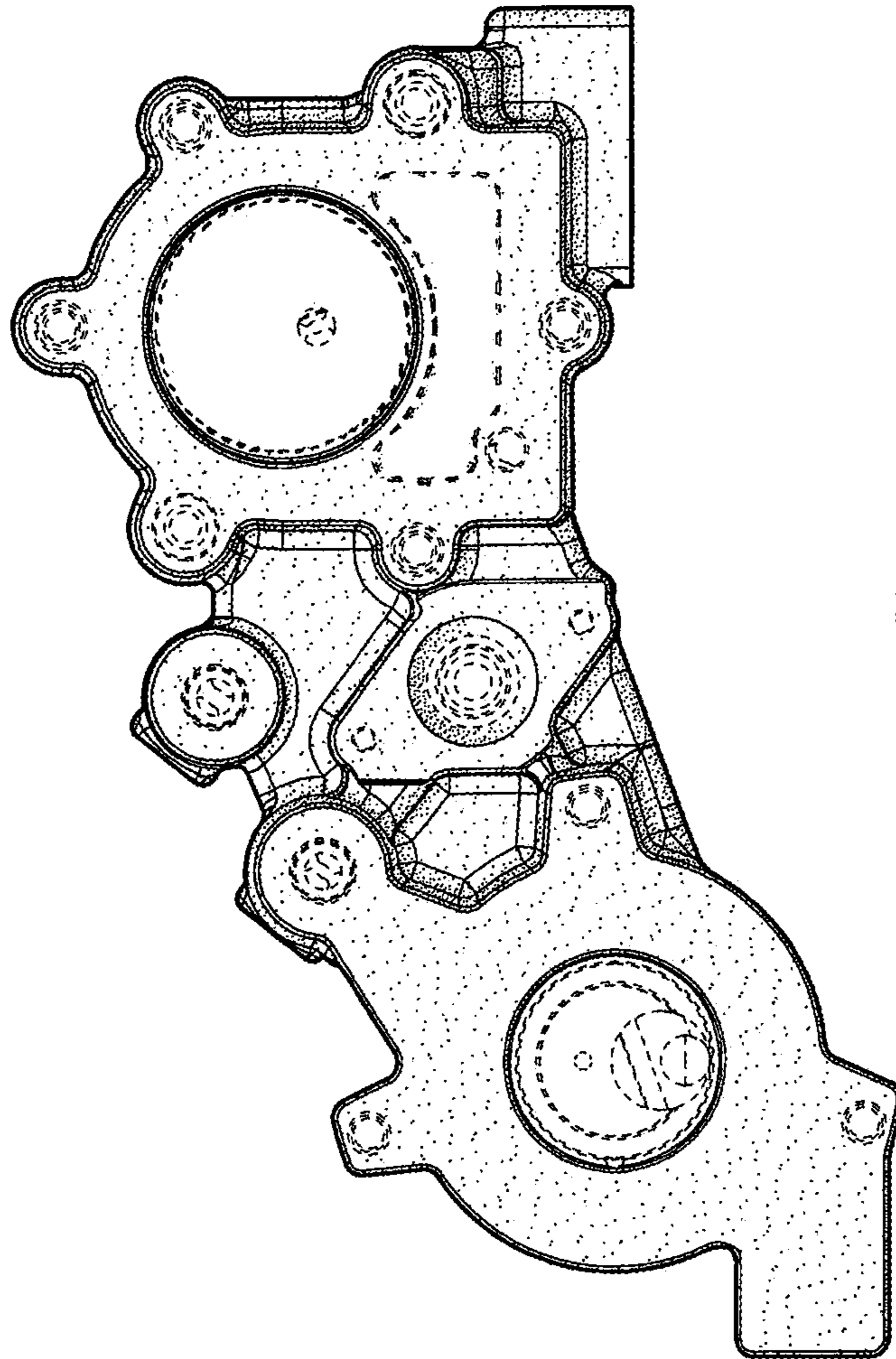


FIG. 7