



US00D819066S

(12) **United States Design Patent** (10) **Patent No.:** **US D819,066 S**
Anderson et al. (45) **Date of Patent:** **** May 29, 2018**

(54) **DISPLAY PANEL WITH A GRAPHICAL USER INTERFACE**

(71) Applicant: **C T CORPORATION SYSTEM**, New York, NY (US)

(72) Inventors: **Stephen C. Anderson**, Morris Plains, NJ (US); **Kimberly D. Friedman**, Brooklyn, NY (US)

(73) Assignee: **Corsearch, Inc.**, New York, NY (US)

(**) Term: **15 Years**

(21) Appl. No.: **29/563,531**

(22) Filed: **May 5, 2016**

(51) **LOC (11) Cl.** **14-04**

(52) **U.S. Cl.**
USPC **D14/486**

(58) **Field of Classification Search**
USPC D14/485-495; 345/1.1, 1.2, 2.1-2.3, 3.1, 345/902; 715/763, 810, 836, 837, 846, 715/847, 977
CPC G06F 3/048; G06F 3/0481; G06F 3/04812; G06F 3/04817; G06F 3/0482; G06F 3/0483; G06F 3/0484; G06F 3/04847; G06F 3/0485; G06F 3/04855; G06F 3/04886; G06Q 30/00; H03J 1/00; H03J 1/0008; H03J 1/0016; H03J 1/0025; H04N 5/00; H04N 5/08; H04N 5/14; H04N 5/222; H04N 5/225; H04N 5/232; H04N 5/445; H04N 5/44543; H04N 5/45; H04N 2005/44517; H04N 2005/44521; H04N 2005/44526; H04N 2005/4453; H04N 2005/44534; H04N 2005/44539; H04N 2005/44547; H04N 2005/44556; H04N 2005/4456; H04N 2005/44565; H04N 2005/44569; H04N 2005/44573; H04N 21/00; H04N 21/234; H04N 21/431; H04N 21/4312; H04N 21/4314; H04N 21/4316

See application file for complete search history.

(56) **References Cited**

U.S. PATENT DOCUMENTS

7,346,605 B1 3/2008 Hepworth et al.
7,516,416 B2 * 4/2009 Viswanathan A61B 34/20
715/769
D614,192 S * 4/2010 Takano D14/486
8,346,548 B2 1/2013 Owen
D684,585 S * 6/2013 Plesnicher D14/486
(Continued)

FOREIGN PATENT DOCUMENTS

WO WO-2002099694 A1 12/2002
WO WO-2010003286 A1 1/2010

OTHER PUBLICATIONS

Andrews et al., Search result visualisation with xFIND, User Interfaces to Data Intensive Systems, Proceedings of Second International Workshop UIDIS 2001 (May 31-Jun. 1, 2001).
(Continued)

Primary Examiner — Cathron C Brooks
Assistant Examiner — Christian P. McLean
(74) *Attorney, Agent, or Firm* — Marshall, Gerstein & Borun LLP

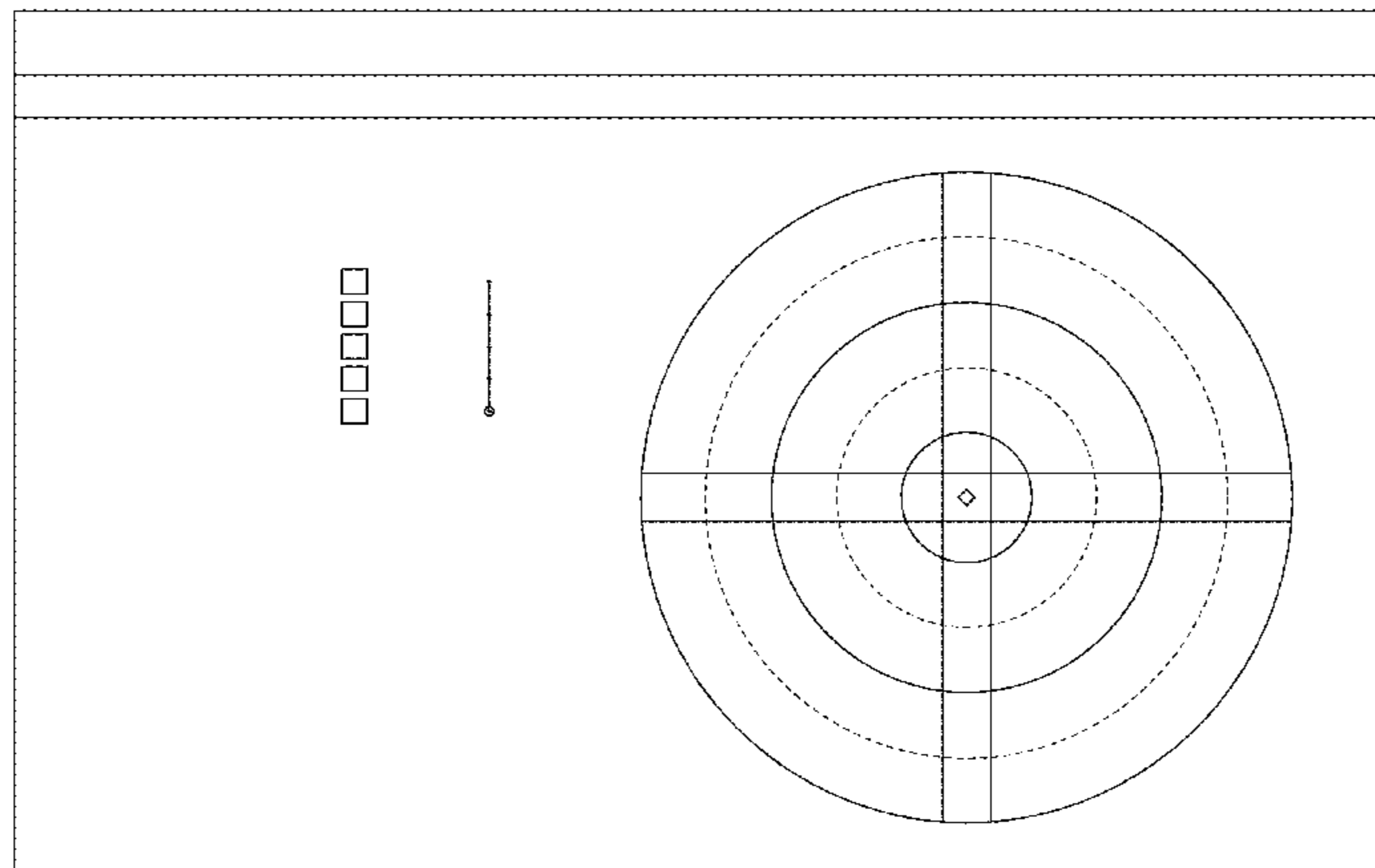
(57) **CLAIM**

The ornamental design for a display panel with a graphical user interface, as shown and described.

DESCRIPTION

The FIGURE is a front view of a display panel with a graphical user interface showing our new design. The outermost rectangle illustrates the display panel. The broken lines showing of portions of the display panel with a graphical user interface illustrate portions of the display panel with the graphical user interface which form no part of the claimed design.

1 Claim, 1 Drawing Sheet



(56)

References Cited

U.S. PATENT DOCUMENTS

D685,813 S * 7/2013 Bork D14/486
 8,589,786 B2 11/2013 Johnston
 D697,080 S * 1/2014 Scholz D14/489
 D719,176 S * 12/2014 Cohen D14/485
 D719,177 S * 12/2014 Cohen D14/485
 8,935,229 B1 1/2015 Ritchey
 D732,555 S * 6/2015 Schoger D14/486
 D733,167 S * 6/2015 Schoger D14/486
 D765,672 S * 9/2016 Raff D14/485
 D769,287 S * 10/2016 Lirov D14/486
 D772,941 S * 11/2016 Nuovo D14/488
 D781,905 S * 3/2017 Nakaguchi D14/487
 D782,515 S * 3/2017 Dzijind D14/486
 D783,046 S * 4/2017 Dzijind D14/488
 D783,680 S * 4/2017 Gauci D14/486
 D786,273 S * 5/2017 Herman D14/485
 D792,894 S * 7/2017 Dzijind D14/486
 D794,675 S * 8/2017 Liu D14/489
 D797,792 S * 9/2017 Patterson D14/488
 D798,884 S * 10/2017 Kaasalainen G06F 3/04817
 D14/485

2002/0042784 A1 4/2002 Kerven et al.
 2003/0171949 A1 9/2003 Degnan et al.

2004/0220903 A1 11/2004 Shah et al.
 2004/0230568 A1 11/2004 Budzyn
 2005/0289473 A1 12/2005 Gustafson et al.
 2008/0065611 A1 3/2008 Hepworth et al.
 2009/0228476 A1 9/2009 Luther
 2010/0229130 A1* 9/2010 Edge G06F 3/04883
 715/863
 2011/0047166 A1 2/2011 Stading et al.
 2014/0096078 A1* 4/2014 Prior G06F 19/363
 715/810
 2014/0280104 A1 9/2014 Summerfield
 2015/0324469 A1 11/2015 Keyngnaert et al.

OTHER PUBLICATIONS

International Search Report and Written Opinion, International Application No. PCT/US2017/031026, dated Jul. 10, 2017.
 Nguyen et al., A novel visualization model for web search results, IEEE Trans. on Visualization and Computer Graphics, IEEE Service Center, Los Alamitos, California, vol. 12, No. 5, pp. 981-988 (Sep. 1, 2006).
 Nowell et al., Visualizing search results, Proceedings of the 19th Annual International ACM SIGIR Conference on Research and Development in Information Retrieval (Aug. 18-22, 1996).

* cited by examiner

