



US00D819038S

(12) **United States Design Patent** (10) **Patent No.:** **US D819,038 S**
Diebel (45) **Date of Patent:** **** May 29, 2018**

(54) **COVER FOR ELECTRONIC TABLET**

(71) Applicant: **Incase Designs Corp.**, Chino, CA (US)

(72) Inventor: **Markus Diebel**, San Francisco, CA (US)

(73) Assignee: **Incase Designs Corp.**, Los Angeles, CA (US)

(**) Term: **15 Years**

(21) Appl. No.: **29/556,588**

(22) Filed: **Mar. 1, 2016**

Related U.S. Application Data

(63) Continuation of application No. 29/469,241, filed on Oct. 8, 2013, now Pat. No. Des. 750,632, which is a (Continued)

(51) **LOC (11) Cl.** **14-02**

(52) **U.S. Cl.**
USPC **D14/440**

(58) **Field of Classification Search**

USPC D14/439, 440, 345, 341-344, 346, 371, D14/125-129, 327, 248; 206/320, 576, 206/305, 215, 232, 524, 425, 472, 224, 206/312, 387.13, 307, 387.1, 756, 206/45.2-45.34, 764, 765; D3/286, 283, D3/295, 273, 303, 247, 215, 245, 232, D3/900, 249, 201, 276, 294, 301, 319, D3/203.1, 323, 227; 224/929; 708/110; 190/109, 100, 119, 901; 361/683, 725, 361/681, 686, 679, 679.01; 229/87.5, 229/67.1, 800; 220/522, 4.23; 345/169, 345/104, 156, 168, 173, 179, 672, 174; 150/147, 135; 402/2, 70-79, 500-502; 281/45, 38, 31, 29, 19.1, 34; D19/3, 26, D19/27, 33, 75, 86, 22, 90, 59, 60, 78, D19/83; D18/7, 17, 18; 383/97, 4, 110; 178/18.03, 18.01; 349/12; 428/332;

D6/632, 407, 596, 601, 310, 611, 502, D6/583, 582, 595; 248/458-460; D13/102, 184; D20/18, 27, 42; 40/654.01, 536; D15/122; D21/480, D21/690; D25/48; D12/401, 182, 203, (Continued)

(56) **References Cited**

U.S. PATENT DOCUMENTS

1,347,839 A 7/1920 Coons
1,659,395 A 2/1928 Douglas
(Continued)

OTHER PUBLICATIONS

Apple Smart Cover Product, Mar. 2, 2011, 36 pages.
(Continued)

Primary Examiner — Susan Moon Lee

(74) *Attorney, Agent, or Firm* — Manatt, Phelps & Phillips, LLP

(57) **CLAIM**

The ornamental design for a cover for electronic tablet, as shown and described.

DESCRIPTION

FIG. 1 shows a perspective view of a design for a cover for electronic tablet.

FIG. 2 shows a front view of the cover.

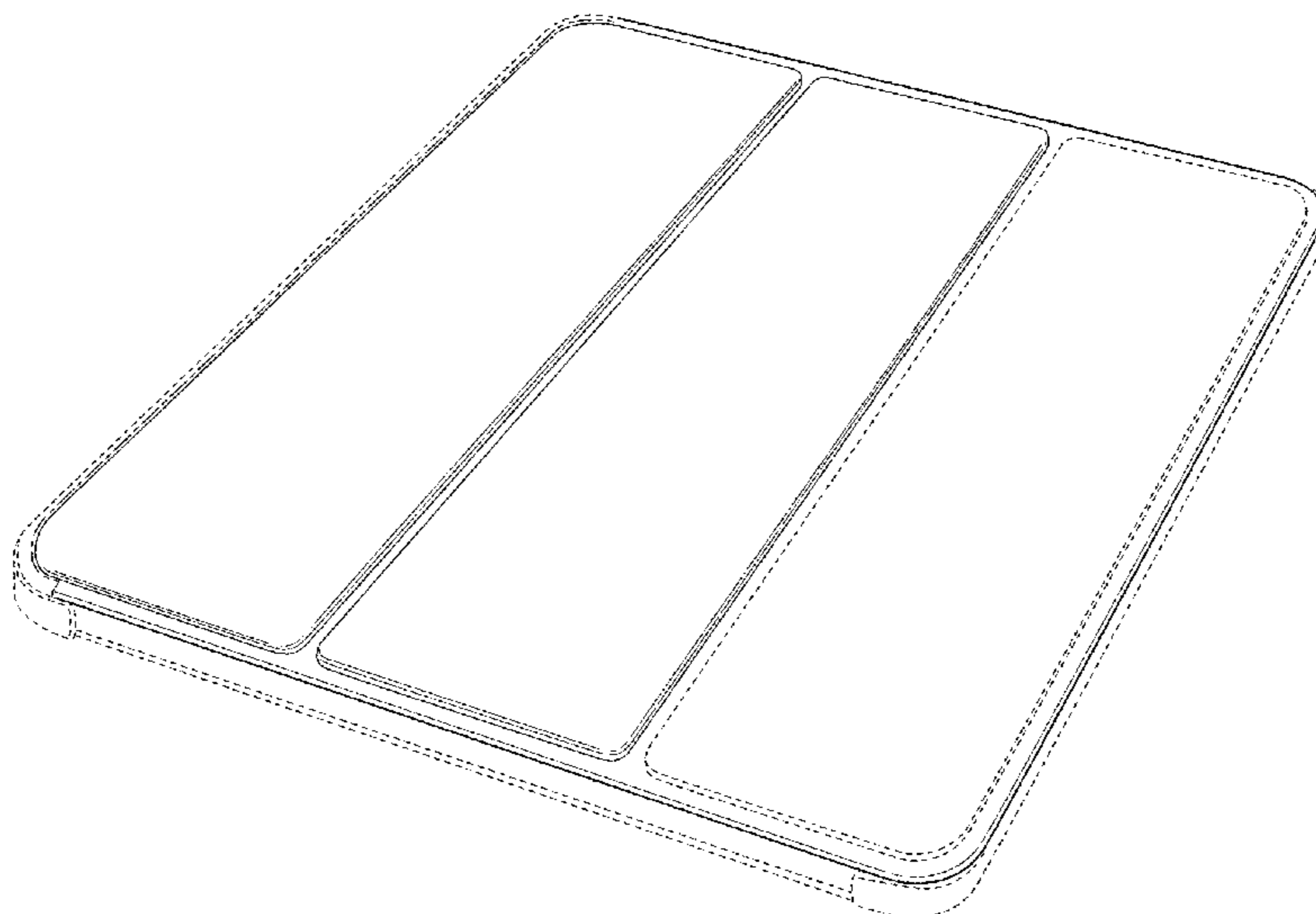
FIG. 3 shows a bottom view of an interior of the cover.

FIG. 4 shows a perspective view of cover folded into a first stand position; and,

FIG. 5 shows a perspective view of cover folded into a second stand position.

The broken-line features in the figures are for illustrative purposes only and form no part of the claimed design.

1 Claim, 5 Drawing Sheets



Related U.S. Application Data

continuation of application No. 29/419,054, filed on Apr. 24, 2012, now Pat. No. Des. 691,143, which is a continuation of application No. 29/388,000, filed on Mar. 22, 2011, now Pat. No. Des. 658,188, which is a continuation of application No. 29/387,775, filed on Mar. 17, 2011, now Pat. No. Des. 658,187.

(58) **Field of Classification Search**

USPC D12/400, 191; D24/205, 206, 200, 188, D24/207, 212, 215; 280/808; 112/420; 5/420; 604/308; 601/15, 108, 112, 60, 601/64, 70, 71; 160/370.23, 370.21; D7/629, 392.1; D28/7, 8, 83, 84, 82; 15/118; D32/40; 424/443; 442/123; D23/304; D9/435
 CPC . G06F 1/00; G06F 1/16; G06F 1/1601; G06F 1/1603; G06F 1/1607; G06F 1/1611; G06F 1/1613; G06F 1/1616; G06F 1/1618; G06F 1/162; G06F 1/1622; G06F 1/1626; G06F 1/1632; G06F 1/1637; G06F 1/1628; G06F 2200/1633; A45C 11/00; A45C 13/005; A45C 5/02; A45C 2011/003; A45C 2013/025; A45C 2200/15; Y10T 29/49826; Y10T 29/49002
 See application file for complete search history.

(56) **References Cited**

U.S. PATENT DOCUMENTS

1,955,040 A 4/1934 Wittcoff
 2,596,292 A 5/1952 Sackner
 2,675,807 A 4/1954 Pursel
 2,738,834 A 3/1956 Jaffe et al.
 2,834,970 A 5/1958 Nappe
 2,870,464 A * 1/1959 Lalick A47G 9/0207
 2/69.5
 D192,953 S 5/1962 Zelony
 3,061,844 A 11/1962 Coursey
 3,069,203 A 12/1962 Ropus
 3,369,998 A 2/1968 Eskandry
 3,427,020 A 2/1969 Montour et al.
 3,459,179 A 8/1969 Olesen
 3,568,227 A 3/1971 Dunham
 3,769,741 A 11/1973 Hessler
 3,900,035 A 8/1975 Welch et al.
 4,197,342 A 4/1980 Bethe
 D268,696 S 4/1983 Bowen
 4,389,742 A 6/1983 DeWitt
 4,433,783 A * 2/1984 Dickinson B65D 77/08
 206/484
 4,586,506 A 5/1986 Nangle
 4,630,863 A 12/1986 Roberts
 D290,654 S 6/1987 Ohnishi
 D290,918 S 7/1987 Ball
 4,679,848 A 7/1987 Spierings
 4,824,171 A 4/1989 Hollingsworth
 4,854,319 A 8/1989 Tobin
 4,880,327 A 11/1989 Sanabria
 D311,688 S 10/1990 Hodge
 D312,130 S 11/1990 Jones
 D312,214 S 11/1990 Hodge
 4,969,683 A 11/1990 Wallace
 D312,835 S 12/1990 Holm
 D313,964 S 1/1991 Fuller
 4,981,386 A 1/1991 Beleckis
 5,000,319 A 3/1991 Mermelstein
 5,005,374 A 4/1991 Spittler
 D317,329 S 6/1991 Annand
 D318,372 S 7/1991 Mackey
 D319,016 S 8/1991 Kahl
 D320,274 S 9/1991 Douglas
 D321,091 S 10/1991 Dickinson

D321,761 S 11/1991 Shimizu
 5,066,158 A 11/1991 Huang
 5,080,316 A 1/1992 MacEwan
 5,092,354 A 3/1992 Pacelli, Jr.
 D325,637 S 4/1992 O'Brien
 D327,046 S 6/1992 Eskandry
 5,138,869 A 8/1992 Tom
 D329,747 S 9/1992 Embree
 5,143,341 A 9/1992 Juster
 D331,191 S 11/1992 Ventola
 5,179,944 A 1/1993 McSymytz
 5,228,655 A 7/1993 Garcia
 D341,373 S 11/1993 Stern
 D342,790 S 12/1993 Zona
 D344,590 S 2/1994 Greene
 D345,014 S 3/1994 Huffman
 5,333,336 A 8/1994 Langsam
 D352,357 S 11/1994 Ashley
 5,377,794 A 1/1995 Book
 D356,120 S 3/1995 Allen
 5,431,449 A 7/1995 Arimoto
 D360,778 S 8/1995 Apt, III et al.
 5,439,101 A 8/1995 Brink et al.
 D362,578 S 9/1995 Ackley
 5,450,858 A 9/1995 Zablotzky
 D364,191 S 11/1995 Allen
 5,480,192 A 1/1996 Angerbauer
 5,487,566 A 1/1996 Hedge, Jr.
 D370,177 S 5/1996 Bankier
 D370,650 S 6/1996 Eskandry
 D371,929 S 7/1996 Nilsson
 5,566,871 A 10/1996 Weintraub
 5,653,195 A 8/1997 Young
 D383,213 S 9/1997 Ingram
 D389,509 S 1/1998 Yasoshima
 D389,646 S 1/1998 Sankey
 D390,007 S 2/1998 Ahern, Jr.
 D391,298 S 2/1998 Johnson
 5,722,628 A 3/1998 Menaged
 D405,200 S 2/1999 Hines
 D406,463 S 3/1999 Rutledge
 5,887,723 A 3/1999 Myles et al.
 5,902,256 A 5/1999 Benaron
 D411,353 S 6/1999 Dickinson
 5,911,657 A 6/1999 Meiners
 5,996,778 A 12/1999 Shih
 D418,867 S 1/2000 Platte, III
 6,058,535 A 5/2000 Firkins, Jr.
 6,058,536 A 5/2000 Henry
 6,122,785 A 9/2000 Bondie
 D432,477 S 10/2000 Gorodetsky
 6,132,455 A 10/2000 Shang
 D435,171 S 12/2000 Anderson
 D436,179 S 1/2001 Small
 D442,321 S 5/2001 Cheng
 D445,744 S 7/2001 Hsing
 D446,982 S 8/2001 Block
 6,289,968 B1 9/2001 Karten
 6,763,942 B1 7/2004 Yeh
 6,772,879 B1 8/2004 Domotor
 6,829,140 B2 12/2004 Shimano
 7,036,162 B1 5/2006 Gatten
 7,038,909 B1 5/2006 Chen
 7,065,814 B2 6/2006 Rutkowski
 7,318,521 B2 1/2008 Lau
 D560,947 S 2/2008 Kreucher
 D581,857 S 12/2008 Bogard
 D583,479 S * 12/2008 Yim D24/206
 D584,141 S 1/2009 Smith
 D584,612 S 1/2009 Ianello
 D584,911 S 1/2009 Hisey
 D587,797 S 3/2009 Blanchard
 D587,812 S 3/2009 Uchiyama
 D592,402 S 5/2009 Ahlgrim
 7,537,192 B2 5/2009 Al-Haleem
 D596,305 S * 7/2009 Usui D24/206
 D597,302 S 8/2009 Adams
 D599,286 S 9/2009 Horito
 D599,484 S 9/2009 Gray

(56)

References Cited

U.S. PATENT DOCUMENTS

D599,761 S	9/2009	Birsel	D679,715 S	4/2013	Akana
D599,959 S	9/2009	Washington	D681,033 S	4/2013	Chen
D600,699 S	9/2009	Johnston et al.	D681,041 S	4/2013	Phillips
7,584,841 B2	9/2009	Chan et al.	D681,641 S	5/2013	Van Den Nieuwenhuizen
D601,369 S	10/2009	Mock	D682,836 S	5/2013	Akana
D602,598 S	10/2009	Yim	D682,838 S	5/2013	Akana
D603,906 S	11/2009	Miller	D682,839 S	5/2013	Sampson
D604,463 S	11/2009	Pittman	D683,040 S *	5/2013	Arsenault D24/206
D604,727 S	11/2009	Chu	D683,731 S	6/2013	Chiu
D605,940 S	12/2009	Lin	D685,381 S	7/2013	Symons
D606,119 S	12/2009	Miller	D685,803 S	7/2013	Akana
D606,120 S	12/2009	Miller	D685,916 S *	7/2013	Hoglund D24/206
D606,121 S	12/2009	Miller	D686,627 S	7/2013	Akana
D607,253 S	1/2010	McCammon	8,474,609 B1	7/2013	Hong
7,643,274 B2	1/2010	Bekele	D687,438 S	8/2013	Lu
D609,358 S	2/2010	Vim	D688,251 S	8/2013	Akana
D609,360 S	2/2010	Yim	D688,669 S	8/2013	Akana
D609,912 S	2/2010	Kyono	D689,498 S	9/2013	Akana
D613,062 S	4/2010	Romero	D689,501 S	9/2013	Fong
D613,982 S	4/2010	Wilson	D690,305 S	9/2013	Wen
D616,930 S	6/2010	Engel	8,538,479 B2	9/2013	Lee
7,735,644 B2	6/2010	Sirichai et al.	D690,702 S	10/2013	Chung
D620,122 S	7/2010	Cotton	D691,123 S	10/2013	Lay
D620,877 S	8/2010	Rusher	D691,142 S	10/2013	Diebel
D622,061 S	8/2010	Higginson	D691,143 S	10/2013	Diebel
D623,940 S	9/2010	Ianello	D691,145 S	10/2013	Nam-Su
D624,615 S	9/2010	Kusmierz	D691,611 S	10/2013	Kirzinger
7,799,063 B2	9/2010	Ingram	D691,805 S	10/2013	Chang
D627,078 S	11/2010	Matsuo	D692,237 S	10/2013	Chang
D627,117 S	11/2010	Hale	D692,432 S	10/2013	Liu
D627,775 S	11/2010	Li	D692,433 S	10/2013	Akana
D628,004 S	11/2010	Moorefield	D692,434 S	10/2013	Kim
D628,132 S	11/2010	Grzyb	8,567,578 B2	10/2013	Cuong
D628,197 S	11/2010	Li	D692,902 S	11/2013	Groene
D628,705 S	12/2010	Usui	D693,821 S	11/2013	Bates
D628,706 S	12/2010	Usui	D693,822 S	11/2013	Bates
D629,195 S	12/2010	Jusic	D693,823 S	11/2013	Chen
D629,914 S	12/2010	Hunter	D694,245 S	11/2013	Sanz
D631,912 S	2/2011	Epstein	D694,523 S	12/2013	Chiang
D632,660 S	2/2011	Donowho	D696,253 S	12/2013	Akana
D633,388 S	3/2011	Andre	D696,254 S	12/2013	Groene
D633,673 S	3/2011	McKnight	D696,256 S	12/2013	Piedra
D633,879 S	3/2011	Heng	D696,262 S	12/2013	Groene
D635,135 S	3/2011	Li	D696,669 S	12/2013	Akana
D635,564 S	4/2011	Li	D697,512 S	1/2014	Akana
D637,399 S	5/2011	Romero	D700,611 S	3/2014	Boldetti
D638,526 S	5/2011	Newman	D701,205 S *	3/2014	Akana D14/341
D638,627 S	5/2011	Romero	D701,210 S	3/2014	Bates
D640,089 S	6/2011	Green	D701,488 S	3/2014	Lim
D640,534 S	6/2011	Austro	D703,209 S	4/2014	Marcus
D641,720 S	7/2011	Heng	8,695,150 B1	4/2014	Cooper
7,980,526 B2	7/2011	Lord	D704,702 S *	5/2014	Akana D14/341
8,042,241 B2	10/2011	McConnell	D705,227 S	5/2014	Groene
8,070,220 B2	12/2011	Reeb	D705,783 S	5/2014	Weng
8,143,982 B1	3/2012	Lauder	8,720,843 B1	5/2014	Chen
D657,832 S	4/2012	Beber	8,724,300 B2	5/2014	Smith
D658,186 S	4/2012	Akana	D706,270 S	6/2014	Akana
D658,188 S	4/2012	Diebel	D707,229 S	6/2014	Almodova
D663,304 S	7/2012	Akana	8,761,660 B2	6/2014	Libin
8,253,518 B2	8/2012	Lauder	D708,836 S	7/2014	Lee
8,282,065 B1	10/2012	Stone	D708,839 S	7/2014	Lee
D671,114 S *	11/2012	Akana D14/250	8,763,795 B1	7/2014	Oten
D671,686 S	12/2012	Schacht	D710,859 S	8/2014	Mecchella
D671,948 S	12/2012	Akana	D711,887 S	8/2014	Akana
D672,353 S	12/2012	Liu	8,807,333 B1	8/2014	Cooper
D672,781 S	12/2012	Lu	D713,048 S	9/2014	Ogaki
D673,158 S	12/2012	Yang	D713,402 S	9/2014	Akana
8,344,836 B2	1/2013	Lauder	D713,847 S	9/2014	Su
D675,626 S	2/2013	Williamson	D713,848 S	9/2014	Akana
D678,272 S	3/2013	Groene	8,824,136 B1	9/2014	Interian, III
D678,277 S	3/2013	Groene	D716,311 S	10/2014	Bates
D678,300 S	3/2013	Groene	D716,783 S	11/2014	Loncar
D678,881 S	3/2013	Groene	D718,086 S	11/2014	Lewis
D678,882 S	3/2013	Groene	8,884,730 B2	11/2014	Lauder
D679,279 S	4/2013	Yang	D718,768 S	12/2014	Page
			D719,169 S	12/2014	McBroom
			D719,956 S	12/2014	Akana

(56)

References Cited

U.S. PATENT DOCUMENTS

D720,355 S	12/2014	Akana	2012/0287565 A1	11/2012	Bennett, Jr.	
D720,747 S	1/2015	Kim	2012/0293953 A1	11/2012	Wu	
D720,748 S	1/2015	Groene	2012/0305413 A1	12/2012	Chung	
D720,756 S	1/2015	Stavarakakis	2012/0325689 A1	12/2012	Wibby	
D721,080 S	1/2015	Mecchella	2012/0325838 A1	12/2012	Huang	
D721,081 S	1/2015	Hirst	2013/0016467 A1	1/2013	Ku	
8,928,437 B2	1/2015	Lauder	2013/0020216 A1	1/2013	Chiou	
D722,059 S	2/2015	Hirst	2013/0043148 A1	2/2013	Chen	
D723,037 S	2/2015	Huang	2013/0048517 A1	2/2013	Mecchella	
D723,040 S	2/2015	Kang	2013/0048520 A1	2/2013	Garrett	
D723,041 S	2/2015	Kim	2013/0058065 A1	3/2013	Minaguchi	
8,960,421 B1	2/2015	Diebel	2013/0075280 A1	3/2013	Besner	
D723,568 S	3/2015	Kim	2013/0076614 A1	3/2013	Ive	
D723,569 S	3/2015	Peng	2013/0083465 A1	4/2013	Motoishi	
D724,090 S	3/2015	Kim	2013/0088431 A1	4/2013	Ballagas	
D724,095 S	3/2015	Kim	2013/0093304 A1	4/2013	Childs	
D725,118 S	3/2015	Hong	2013/0099636 A1	4/2013	Igarashi	
D725,659 S	3/2015	Tussy	2013/0127308 A1	5/2013	Yang	
D726,191 S	4/2015	Tseng	2013/0134061 A1	5/2013	Wu	
D726,192 S	4/2015	Massucco	2013/0140194 A1	6/2013	Han	
D726,193 S	4/2015	Kim	2013/0140203 A1	6/2013	Chiang	
D726,730 S	4/2015	Mahmood	2013/0146482 A1	6/2013	Huang	
D726,731 S	4/2015	Kim	2013/0199960 A1	8/2013	Chen	
D727,915 S	4/2015	Mecchella	2013/0233732 A1	9/2013	Hsu	
D727,916 S	4/2015	Melmon	2013/0233762 A1	9/2013	Balaji	
D727,919 S	4/2015	Melmon	2013/0241381 A1	9/2013	Hynecek	
D728,579 S	5/2015	Mecchella	2013/0242490 A1	9/2013	Ku	
D729,253 S	5/2015	Nyholm	2013/0258586 A1	10/2013	Shao	
D729,810 S	5/2015	Klusener	2013/0271373 A1	10/2013	Milhe	
D730,362 S	5/2015	Akana	2013/0277271 A1	10/2013	Toulotte	
D730,913 S	6/2015	Shao	2013/0279100 A1	10/2013	Fontana	
D731,495 S	6/2015	Hassett	2013/0284613 A1	10/2013	Lee	
D732,044 S	6/2015	Longo	2013/0284614 A1	10/2013	Lee	
D732,542 S	6/2015	Hassett	2013/0284615 A1	10/2013	Lee	
D733,150 S	6/2015	Sirichai	2013/0313142 A1	11/2013	Wen	
D733,151 S	6/2015	Brierley	2013/0328825 A1	12/2013	Brown	
D733,152 S	6/2015	Sirichai	2013/0328914 A1*	12/2013	Smith	G06F 3/01 345/619
D733,153 S	6/2015	Longo	2014/0028865 A1	1/2014	Ohtaka	
9,049,911 B1	6/2015	Wood	2014/0028903 A1	1/2014	Ohtaka	
D734,340 S	7/2015	Kim	2014/0029195 A1	1/2014	Barnes	
D734,760 S	7/2015	Brunner	2014/0029197 A1	1/2014	Hishinuma	
D734,761 S	7/2015	Ballou	2014/0036438 A1	2/2014	Gioscia	
D735,205 S	7/2015	Akana	2014/0061071 A1	3/2014	Kim	
9,086,844 B2	7/2015	Blue	2014/0063735 A1	3/2014	Lee	
D737,276 S	8/2015	Armstrong	2014/0071654 A1	3/2014	Chien	
D737,827 S	9/2015	Tseng	2014/0083883 A1	3/2014	Elias	
D757,280 S *	5/2016	Ogaki	2014/0092008 A1	4/2014	Hsu	
D792,393 S *	7/2017	Akana	2014/0102924 A1	4/2014	Chang	
2002/0162935 A1	11/2002	Hardy	2014/0102924 A1	4/2014	Chang	
2003/0121116 A1	7/2003	Keck	2014/0131225 A1	5/2014	Couch, III	
2006/0285283 A1	12/2006	Simonian	2014/0131251 A1	5/2014	Westrup	
2007/0110495 A1	5/2007	Willat	2014/0132133 A1	5/2014	Chiou	
2007/0182152 A1	8/2007	David	2014/0139989 A1	5/2014	Mori	
2008/0061207 A1	3/2008	Panziera	2014/0146455 A1	5/2014	Abdelsamie	
2009/0017883 A1	1/2009	Lin	2014/0202889 A1	7/2014	Kim	
2009/0159763 A1	6/2009	Kim	2014/0202891 A1	7/2014	Piatt	
2009/0194209 A1	8/2009	De Filippis et al.	2014/0202899 A1	7/2014	Murchison	
2010/0122924 A1	5/2010	Andrews	2014/0246340 A1	9/2014	Jiang	
2010/0294909 A1	11/2010	Hauser et al.	2014/0262853 A1	9/2014	DeChant	
2011/0163642 A1	7/2011	Ohrbach	2014/0267957 A1	9/2014	Iwamoto	
2011/0227463 A1	9/2011	Hou	2014/0274215 A1	9/2014	Del Toro	
2011/0266194 A1	11/2011	Bau	2014/0284228 A1	9/2014	Chiou	
2011/0290687 A1	12/2011	Han	2014/0291174 A1	10/2014	Chung	
2011/0297566 A1	12/2011	Gallagher	2014/0291175 A1	10/2014	Chung	
2011/0297581 A1	12/2011	Angel	2014/0291177 A1	10/2014	Ko	
2012/0037285 A1	2/2012	Diebel	2015/0001105 A1	1/2015	Nyholm	
2012/0043234 A1	2/2012	Westrup	2015/0041341 A1	2/2015	Marshall	
2012/0044638 A1	2/2012	Mongan	2015/0065208 A1	3/2015	Balaji	
2012/0068919 A1	3/2012	Lauder	2015/0151871 A1	6/2015	Huang	
2012/0088557 A1	4/2012	Liang	2015/0151887 A1	6/2015	Huang	
2012/0125809 A1	5/2012	Leung	2015/0189781 A1	7/2015	Klepar	
2012/0138494 A1	6/2012	Thomas	2015/0237979 A1	8/2015	Huang	
2012/0181195 A1	7/2012	Lu	2015/0263776 A1	9/2015	Shyu	
2012/0205277 A1	8/2012	Chang	2015/0266610 A1	9/2015	Melmon	
2012/0268891 A1	10/2012	Cencioni	2015/0280768 A1	10/2015	Huang	

(56)

References Cited

U.S. PATENT DOCUMENTS

2015/0282354 A1 10/2015 Spollen
2017/0068282 A1* 3/2017 Smith G06F 1/1669

OTHER PUBLICATIONS

Speck PixelSkin HD Wrap Product, Mar. 15, 2011, 4 pages.
Speck CandyShell Wrap Product, Jan. 25, 2011, 10 pages.
Apple iPad Case Product, Mar. 15, 2010, 12 pages.

* cited by examiner

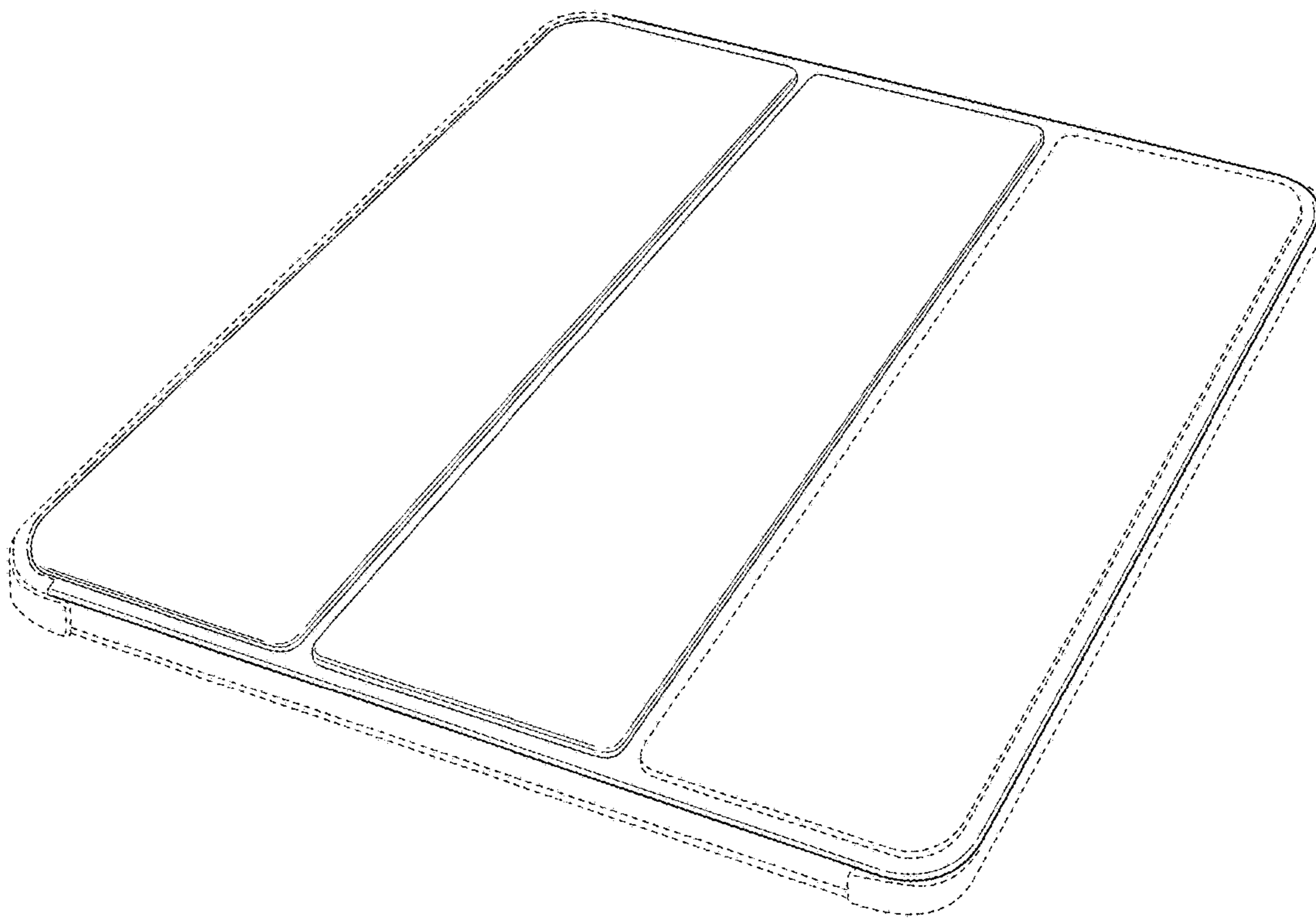


FIG. 1

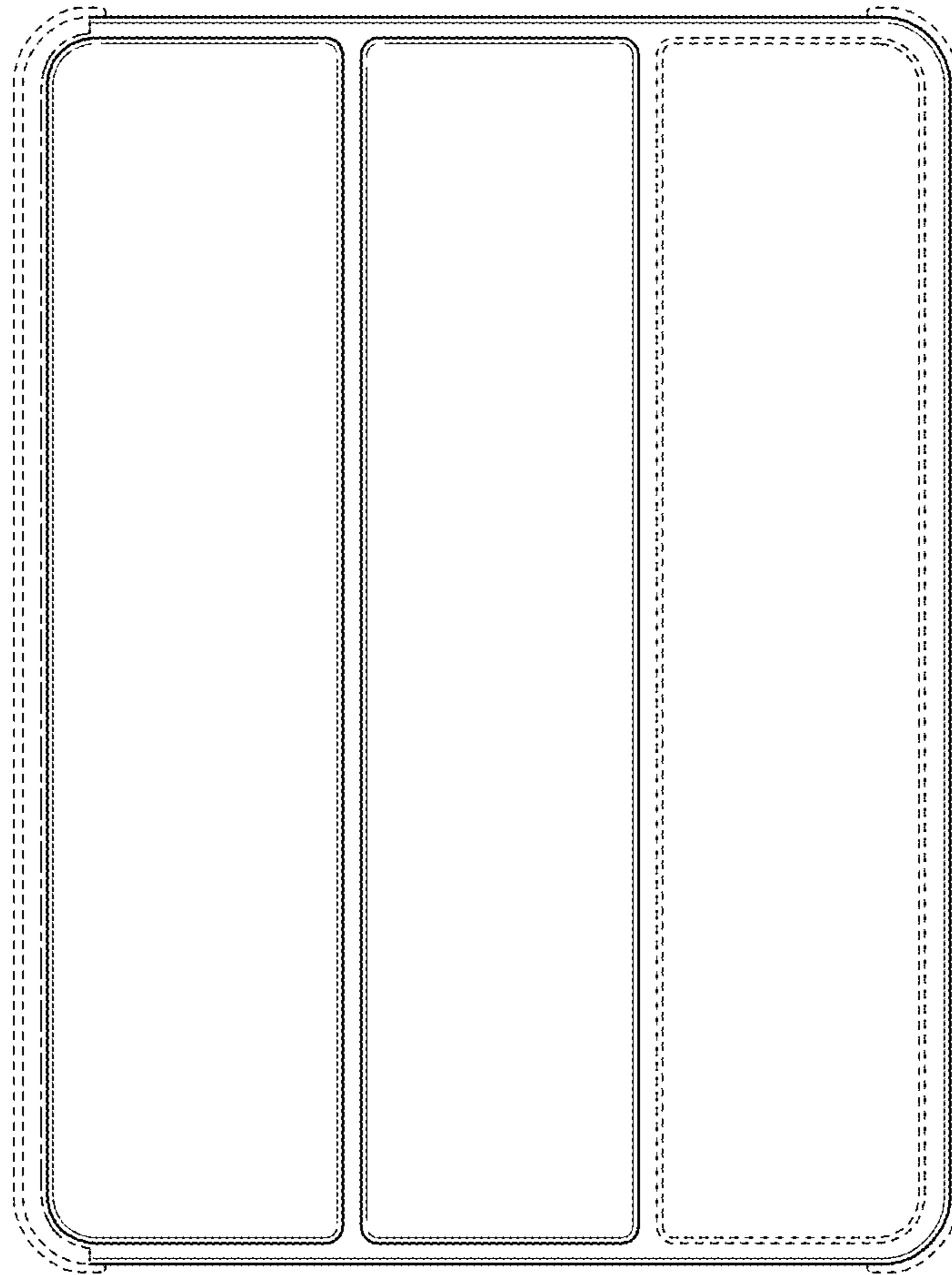


FIG. 2

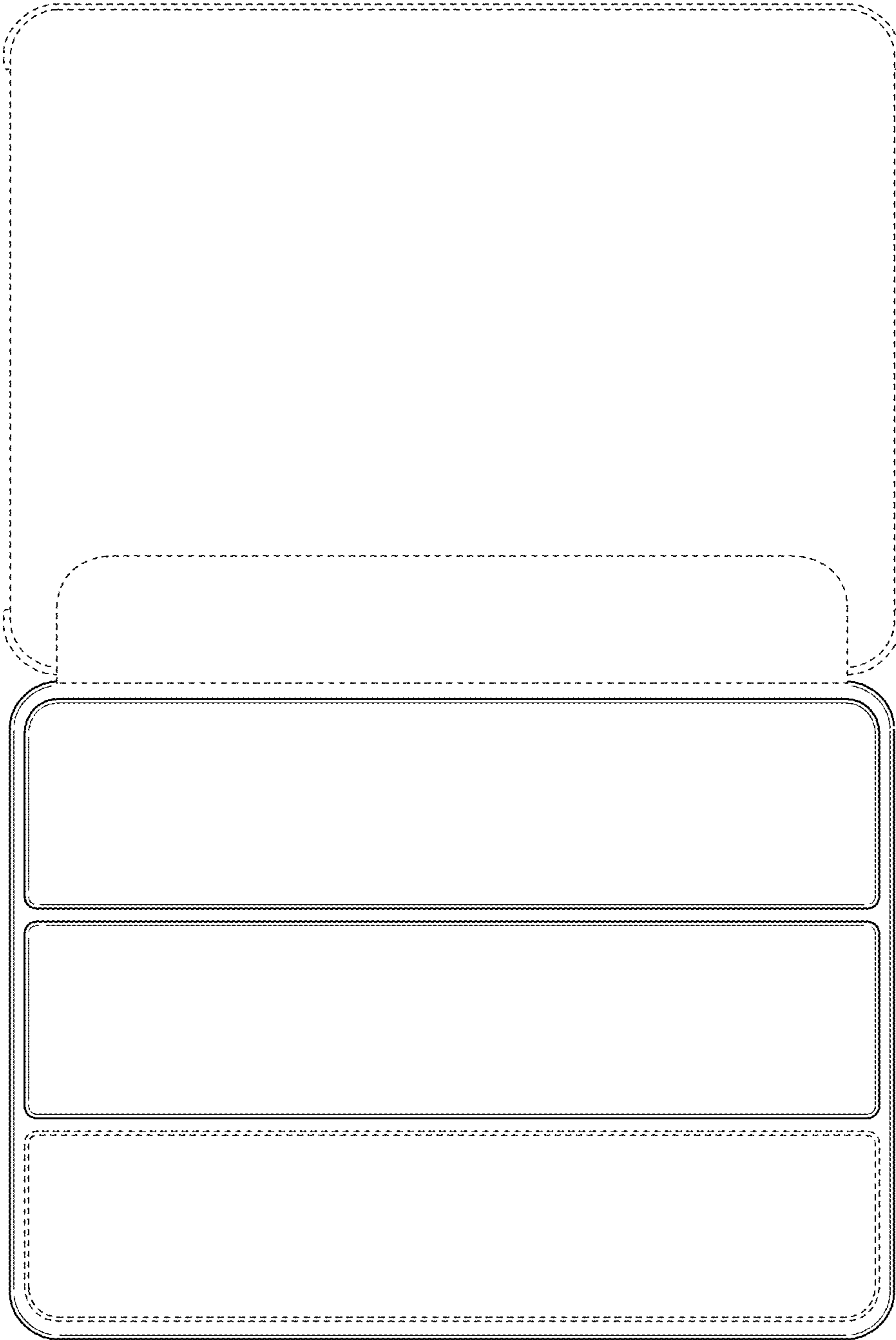


FIG. 3

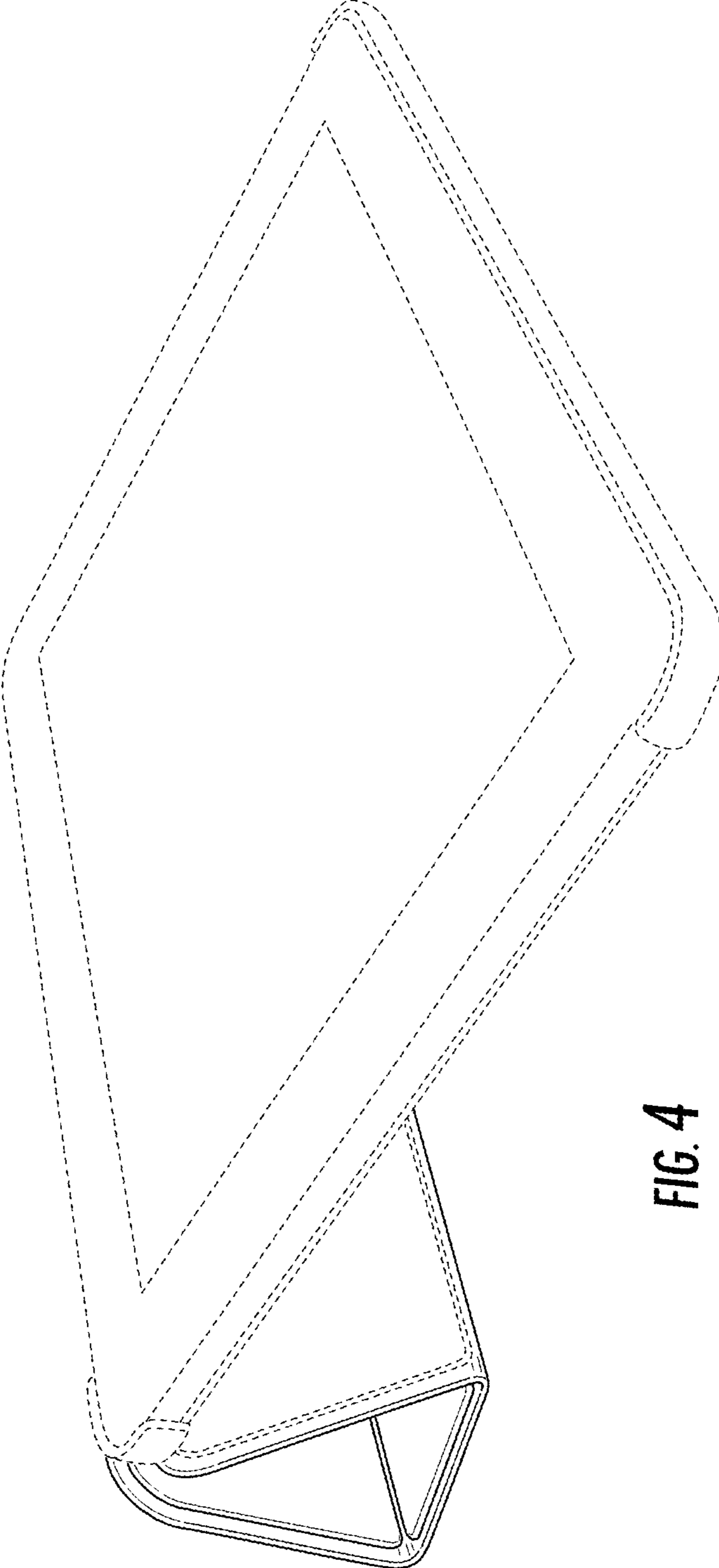


FIG. 4

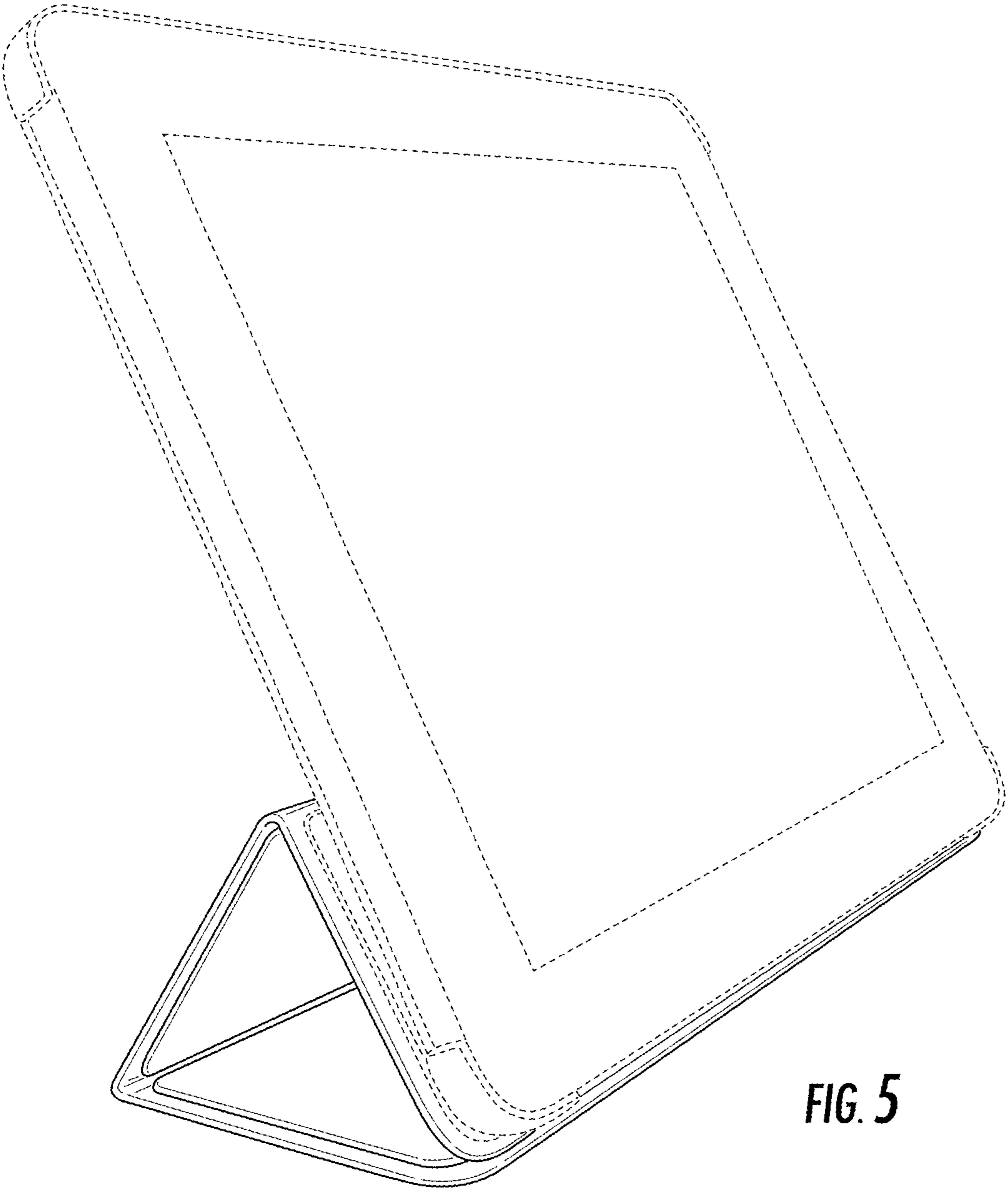


FIG. 5