



US00D819036S

(12) **United States Design Patent** (10) **Patent No.:** **US D819,036 S**
Ahlgrim et al. (45) **Date of Patent:** **** May 29, 2018**

(54) **DIAGNOSTIC TEST BASE STATION**

(71) Applicant: **Confer Health, Inc.**, Allston, MA (US)

(72) Inventors: **Dirk Ahlgrim**, Boston, MA (US); **Juan Carlos Noguera**, Guatemala (GT)

(73) Assignee: **CONFER HEALTH, INC.**, Allston, MA (US)

(**) Term: **15 Years**

(21) Appl. No.: **29/577,323**

(22) Filed: **Sep. 12, 2016**

(51) **LOC (11) Cl.** **14-02**

(52) **U.S. Cl.**
USPC **D14/434**; D10/46; D10/78; D13/133

(58) **Field of Classification Search**
USPC D10/46, 78, 81; D13/133, 137.1-148;
D14/434

CPC G01N 27/42; G01N 27/423; G01N 27/426;
G01N 27/44; G01N 27/447; G01N 27/44704; G01N 27/44708; G01N 27/44713; G01N 27/44717; G01N 27/44721; G01N 27/44726; G01N 27/4473; G01N 27/44734; G01N 27/44739; G01N 27/44743; G01N 27/44747; G01N 27/44752; G01N 27/44756; G01N 27/4476; G01N 27/44765; G01N 27/44769; G01N 27/44773; G01N 27/44778; G01N 27/44782; G01N 27/44786; G01N 27/44791; G01N 27/44795; G01N 27/453

See application file for complete search history.

(56) **References Cited**

U.S. PATENT DOCUMENTS

D687,437 S * 8/2013 Hagenauer D14/434

* cited by examiner

Primary Examiner — Antoine Duval Davis

(74) *Attorney, Agent, or Firm* — Morgan, Lewis & Bockius LLP

(57) **CLAIM**

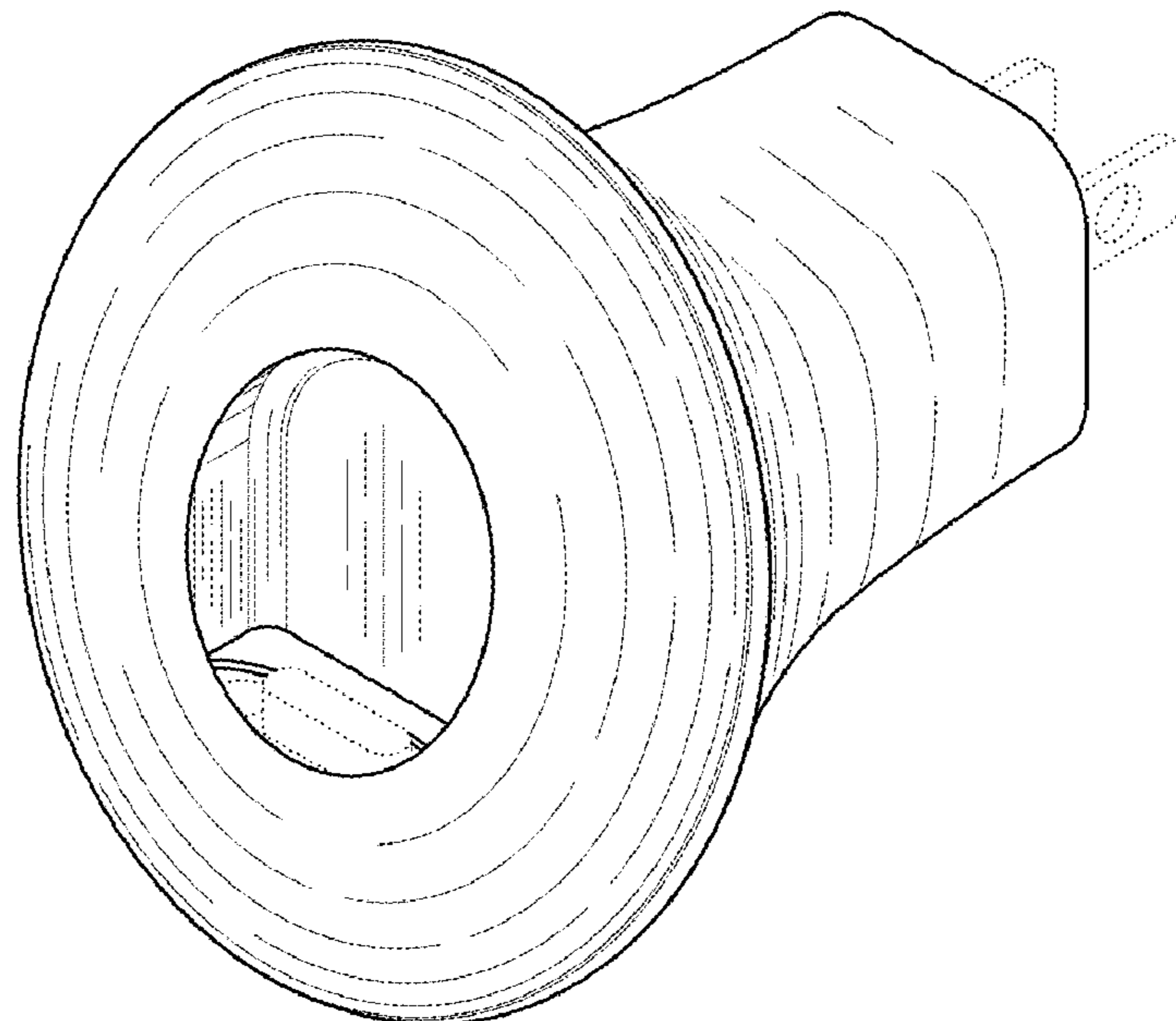
The ornamental design for a diagnostic test base station, as shown and described.

DESCRIPTION

FIG. 1 is a front, top, left-side, perspective view of a diagnostic test base station showing our new design; FIG. 2 is a rear, bottom, right-side, perspective view of the diagnostic test base station shown in FIG. 1; FIG. 3 is a front elevational view of the diagnostic test base station shown in FIG. 1; FIG. 4 is a rear elevational view of the diagnostic test base station shown in FIG. 1; FIG. 5 is a left-side elevational view of the diagnostic test base station shown in FIG. 1; FIG. 6 is a right-side elevational view of the diagnostic test base station shown in FIG. 1; FIG. 7 is a top plan view of the diagnostic test base station shown in FIG. 1; and, FIG. 8 is a bottom plan view of the diagnostic test base station shown in FIG. 1.

The broken lines shown in the drawings represent portions of the diagnostic test base station that form no part of the claimed design.

1 Claim, 5 Drawing Sheets



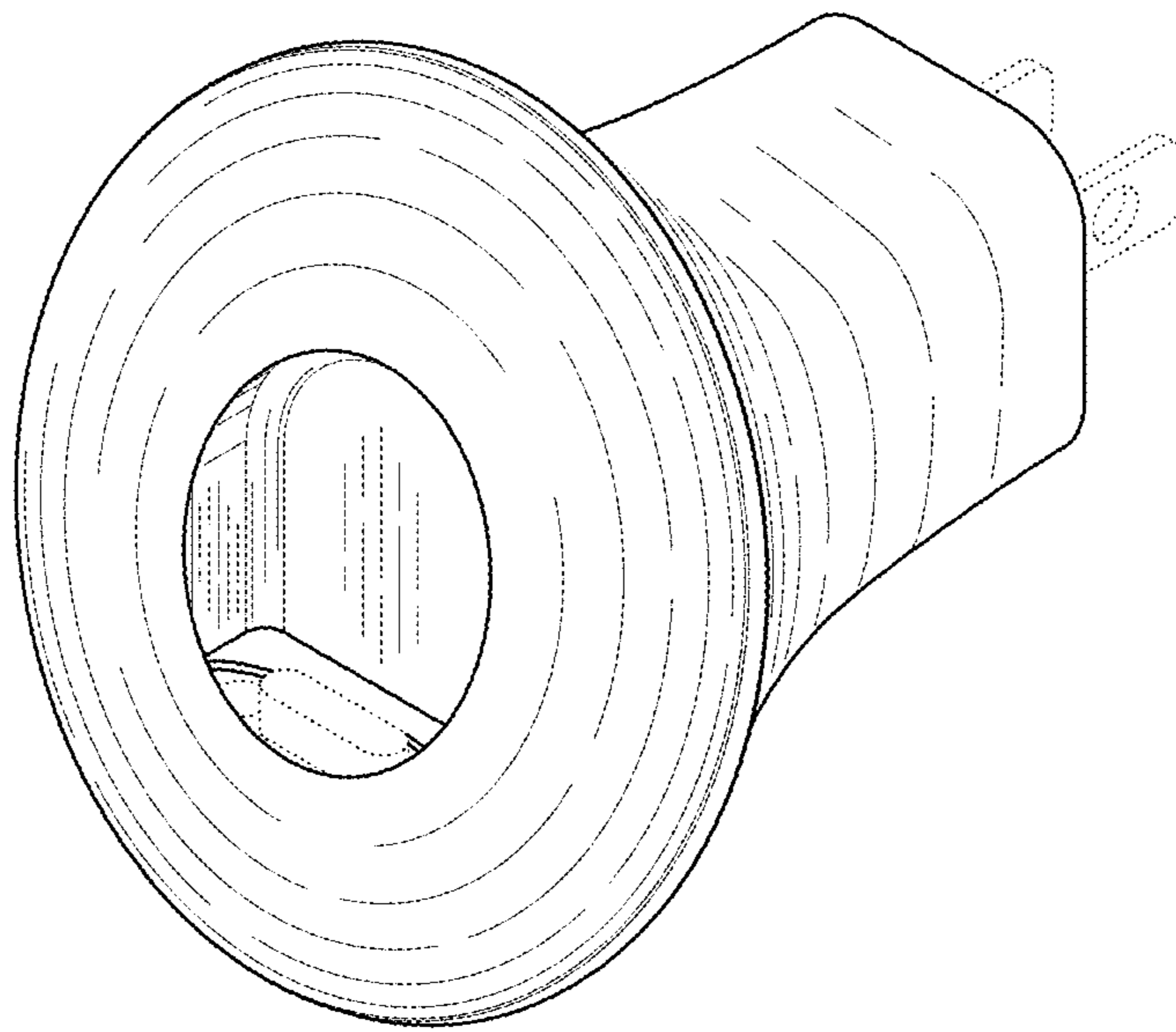


FIG. 1

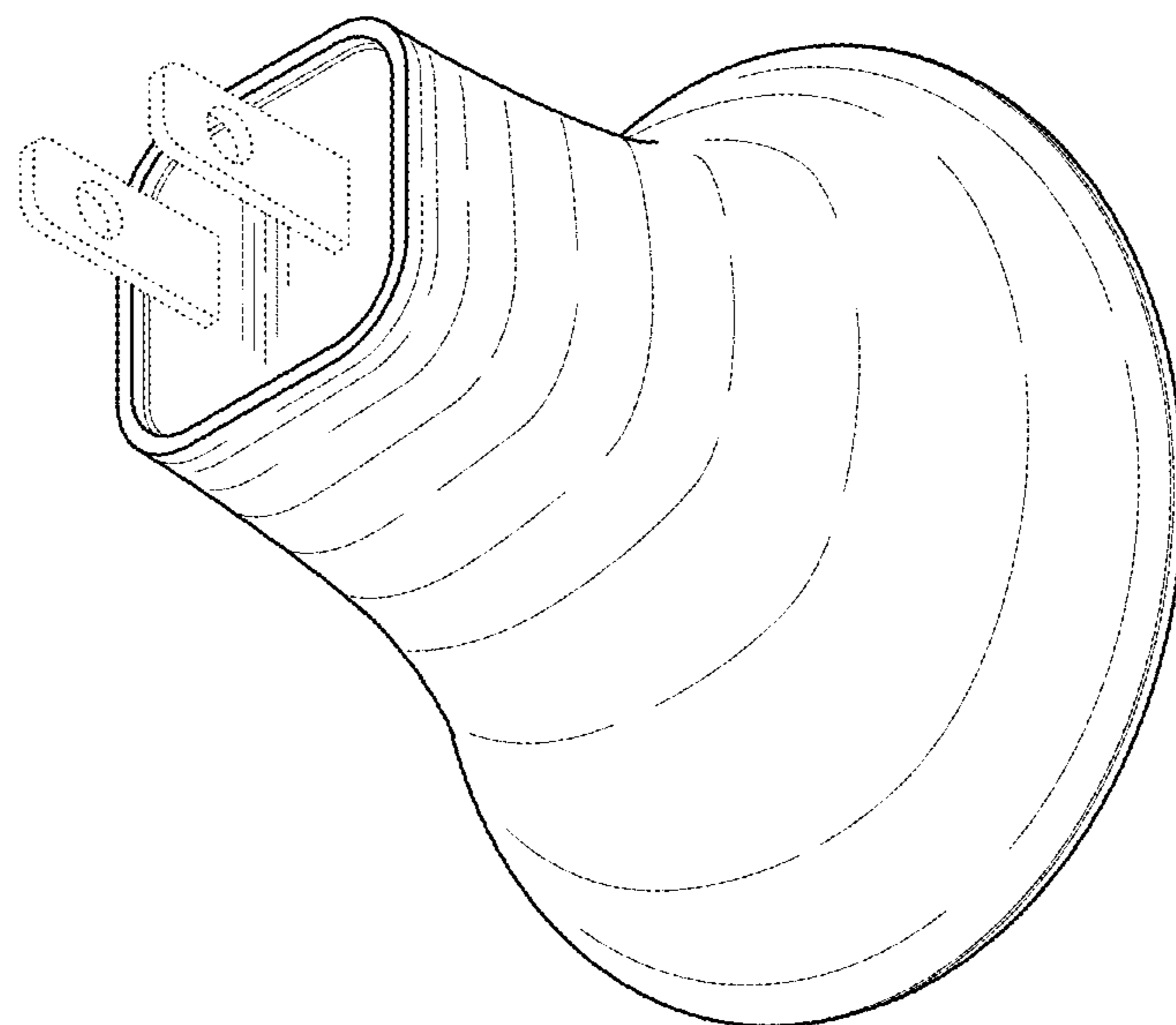


FIG. 2

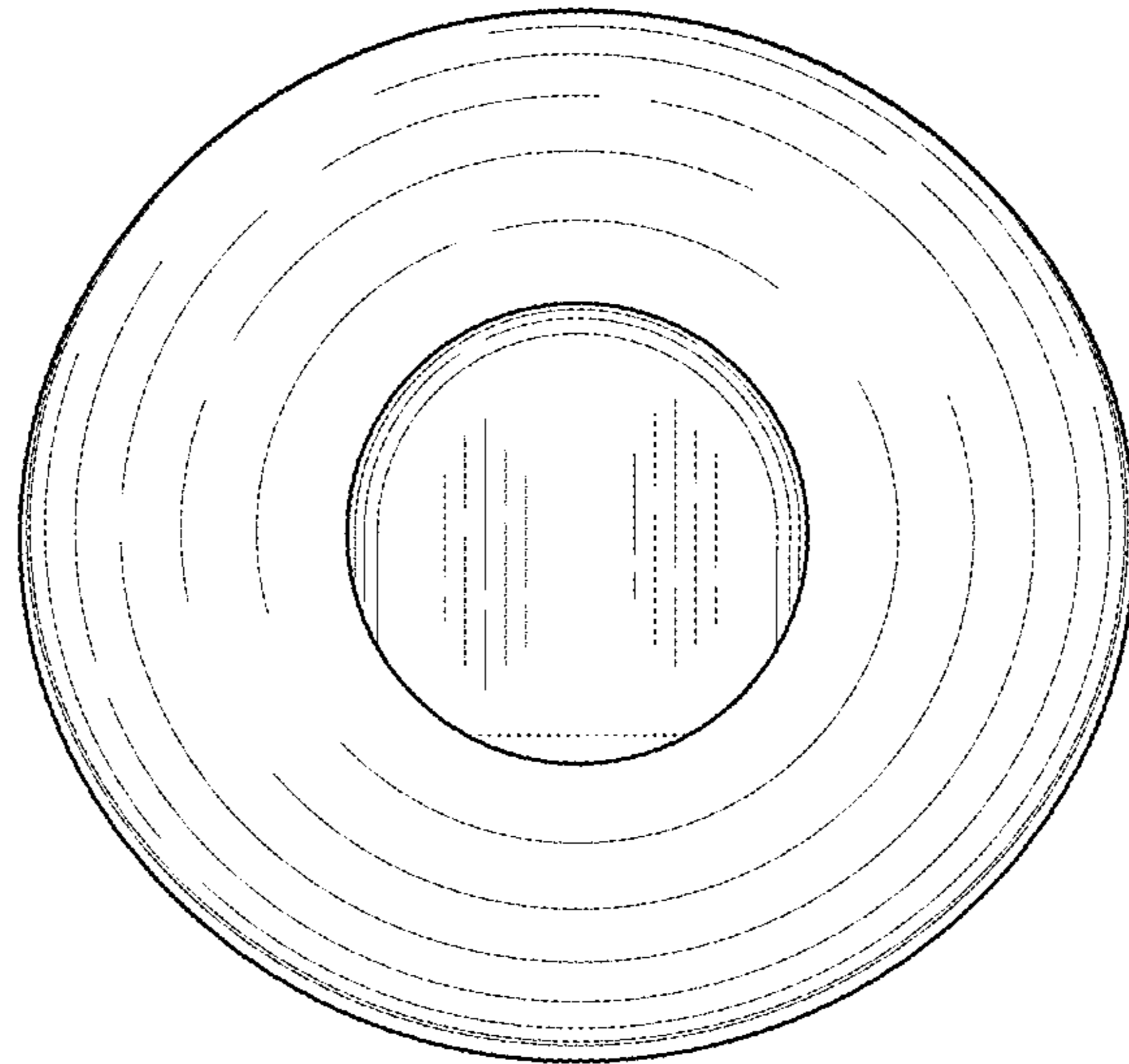


FIG. 3

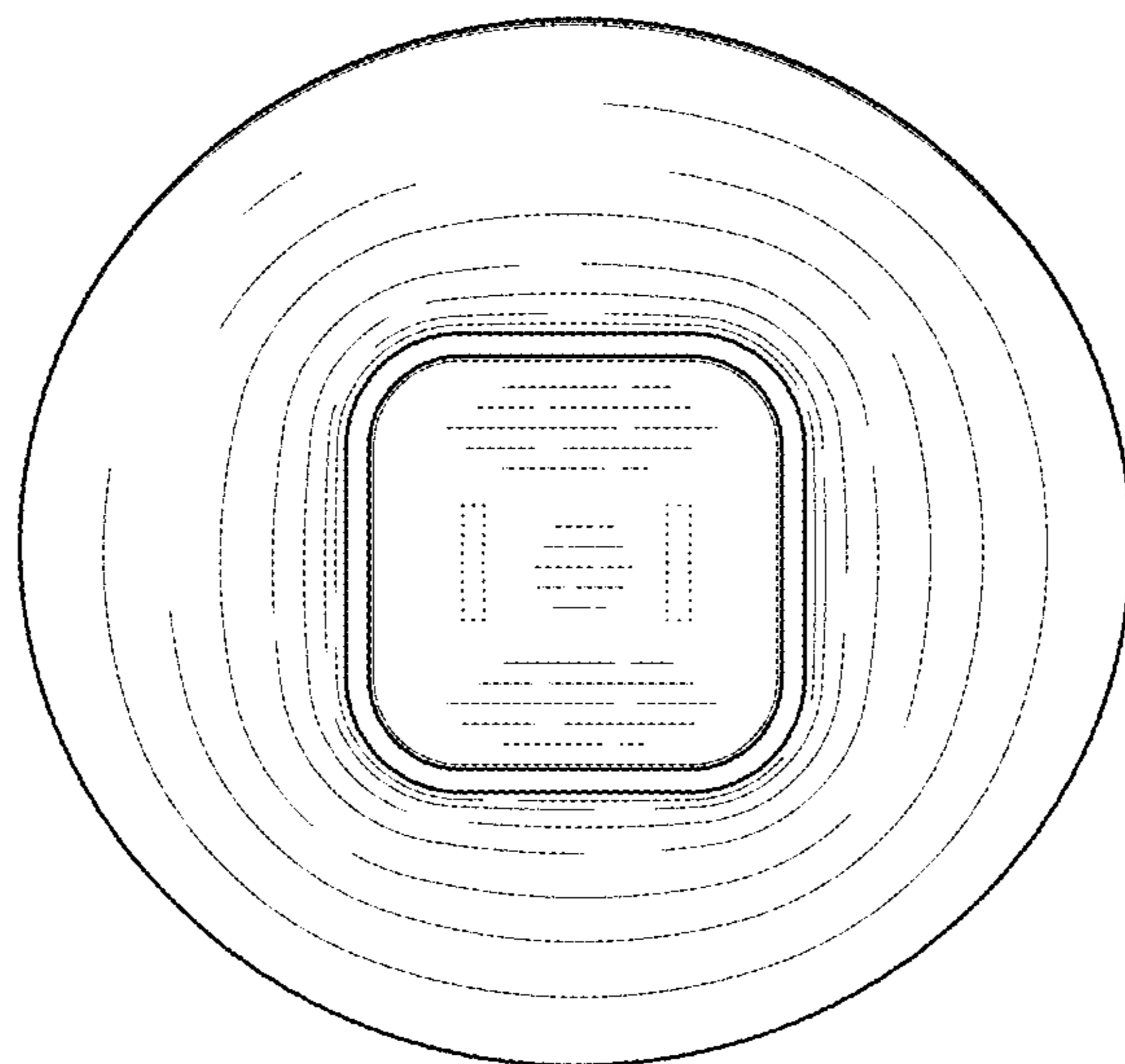


FIG. 4

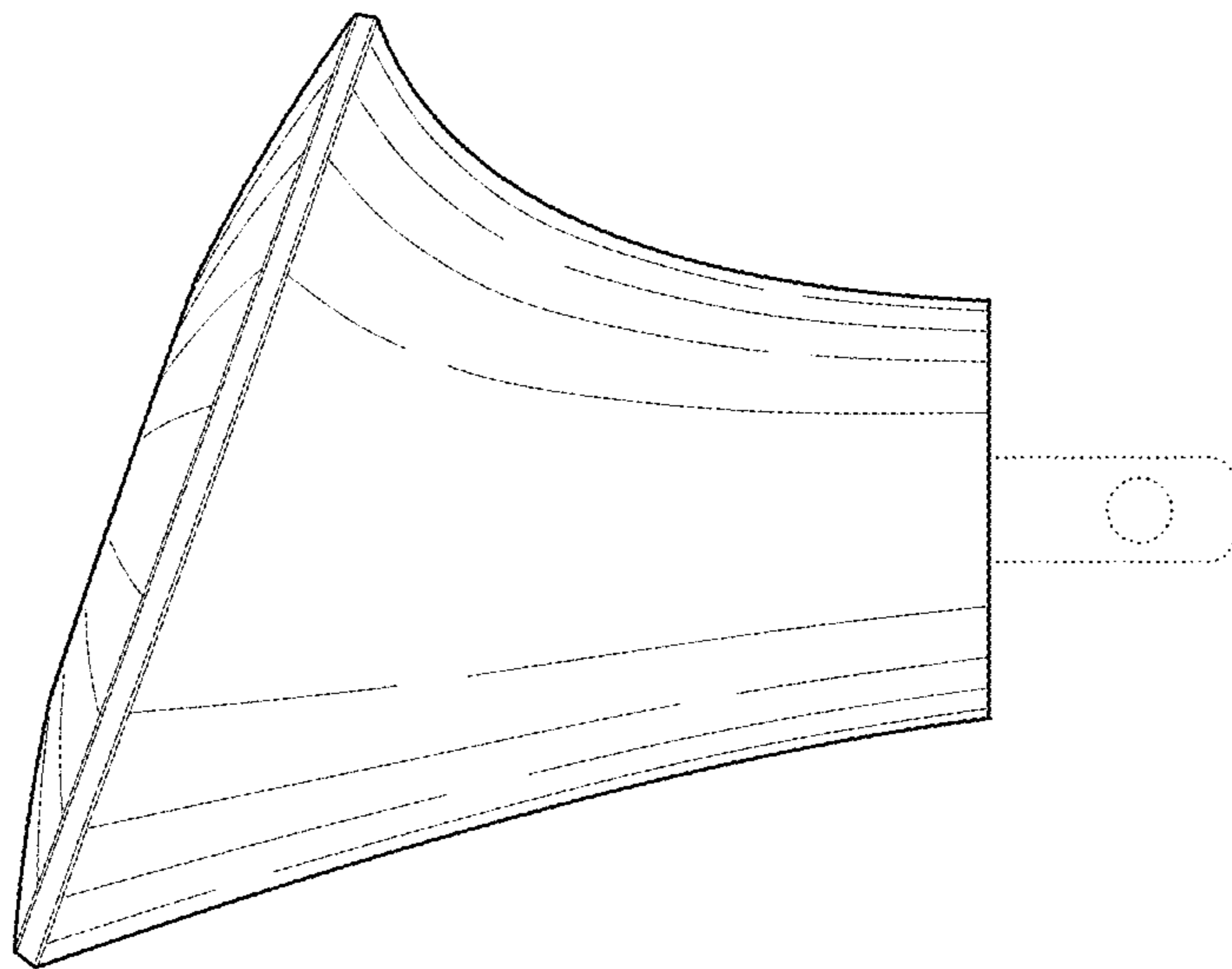


FIG. 5

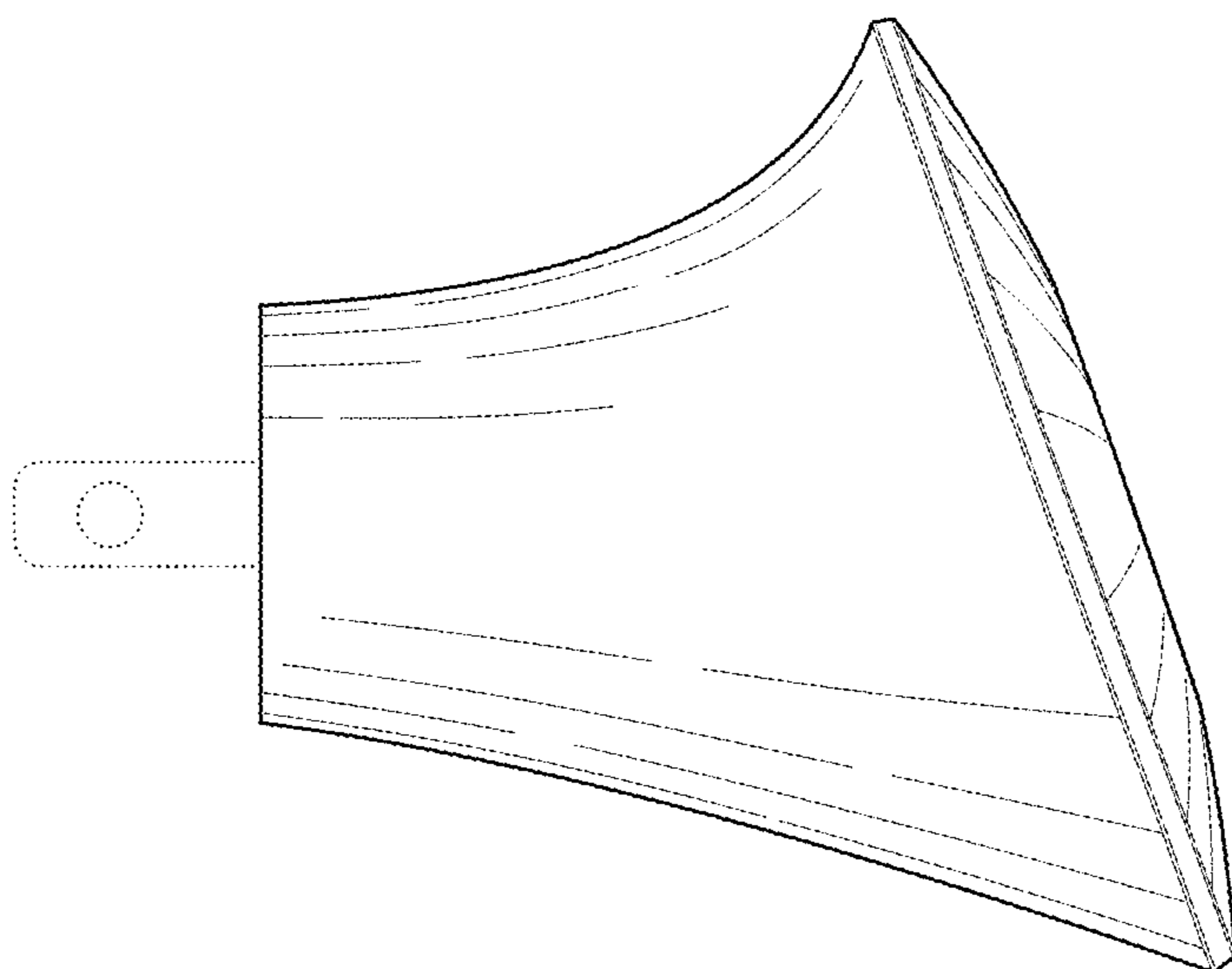


FIG. 6

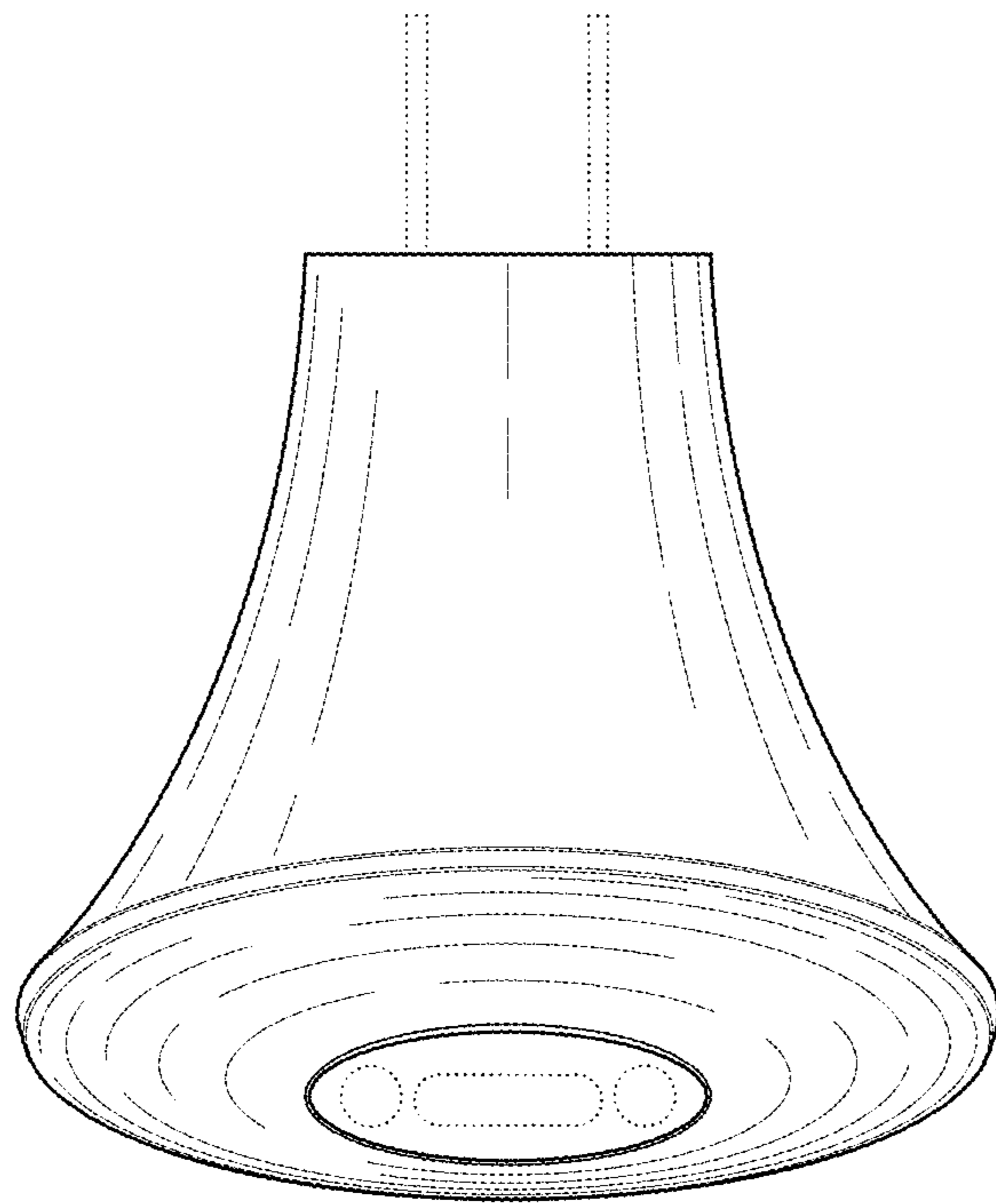


FIG. 7

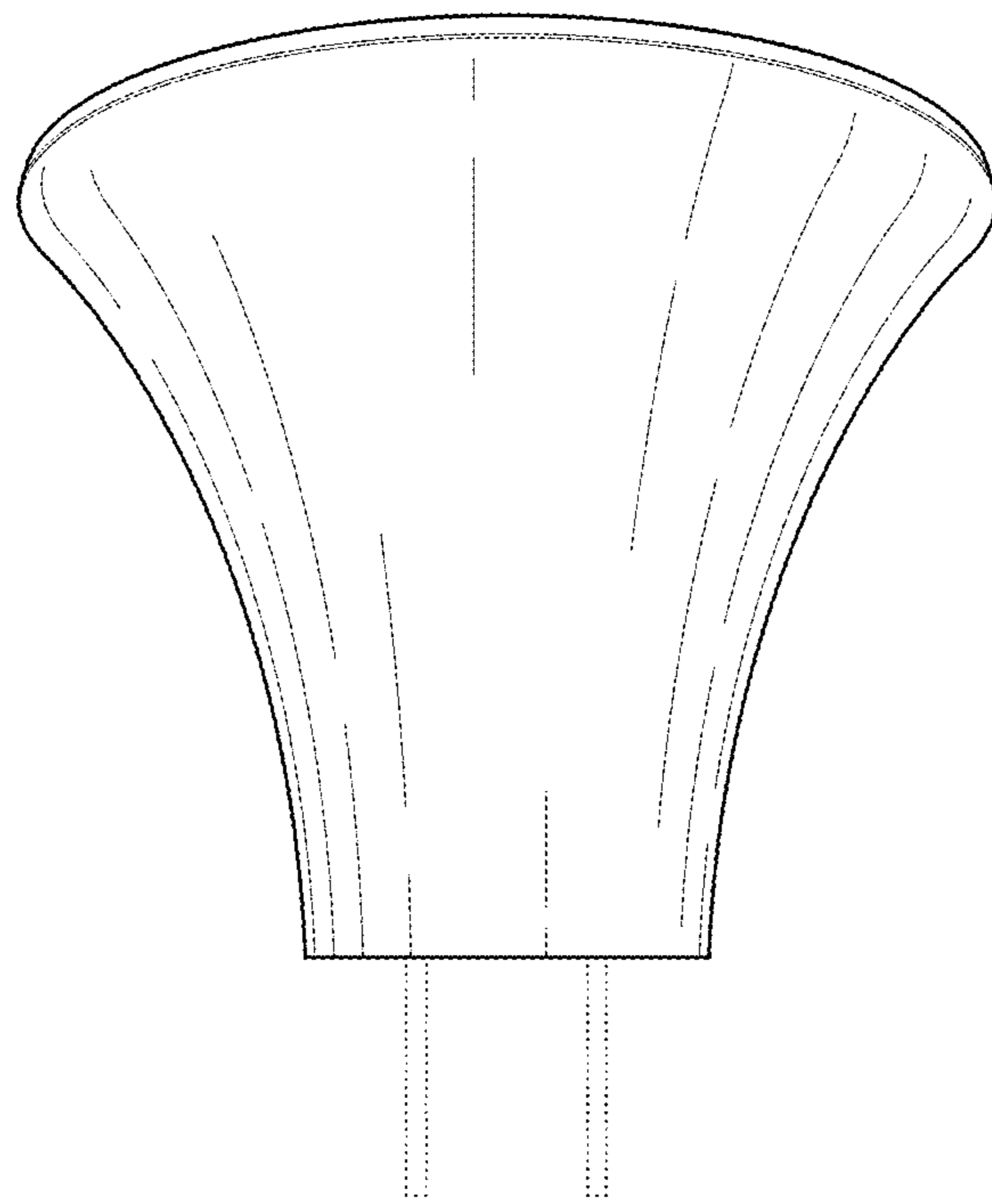


FIG. 8