



US00D819035S

(12) **United States Design Patent**  
**Yang**

(10) **Patent No.:** **US D819,035 S**

(45) **Date of Patent:** **\*\* May 29, 2018**

(54) **CEILING FAN HOUSING WITH LIGHT**

(71) Applicant: **YOUNGO LIMITED**, Hong Kong  
(CN)

(72) Inventor: **Helen Yang**, Rowland Heights, CA  
(US)

(73) Assignee: **Youngo Limited**, Central (HK)

(\*\*) Term: **15 Years**

(21) Appl. No.: **29/568,596**

(22) Filed: **Jun. 20, 2016**

(51) **LOC (11) Cl.** ..... **23-03**

(52) **U.S. Cl.**  
USPC ..... **D14/411**; D26/59; D26/89

(58) **Field of Classification Search**  
USPC ..... D23/377, 379, 385, 411, 413; D26/51,  
D26/59, 67, 72, 85, 88-90, 113, 118, 120,  
D26/124, 138  
CPC ..... F04D 25/088; F21V 33/0096  
See application file for complete search history.

(56) **References Cited**

U.S. PATENT DOCUMENTS

D403,795 S	*	1/1999	Hsu	.....	D26/85
D434,490 S	*	11/2000	Tsuji	.....	D23/377
D439,322 S	*	3/2001	Lee	.....	D23/377
D528,198 S	*	9/2006	Dye	.....	D23/411
D528,199 S	*	9/2006	Hidalgo	.....	D23/411
D529,164 S	*	9/2006	Hidalgo	.....	D23/377

D534,680 S	*	1/2007	Miranda	.....	D26/135
D556,887 S	*	12/2007	Curtin	.....	D23/411
D570,986 S	*	6/2008	Flores	.....	D23/377
D575,863 S	*	8/2008	Bucher	.....	D23/411
D582,093 S	*	12/2008	Zakula	.....	D26/152
D599,493 S	*	9/2009	Yang	.....	D26/59
D603,035 S	*	10/2009	Yang	.....	D23/377
D713,026 S	*	9/2014	Glasbrenner	.....	D23/411
D782,097 S	*	3/2017	Orozco	.....	D26/85

\* cited by examiner

*Primary Examiner* — Cathron C Brooks

*Assistant Examiner* — Sharon S Oum

(74) *Attorney, Agent, or Firm* — Muncy, Geissler, Olds & Lowe, P.C.

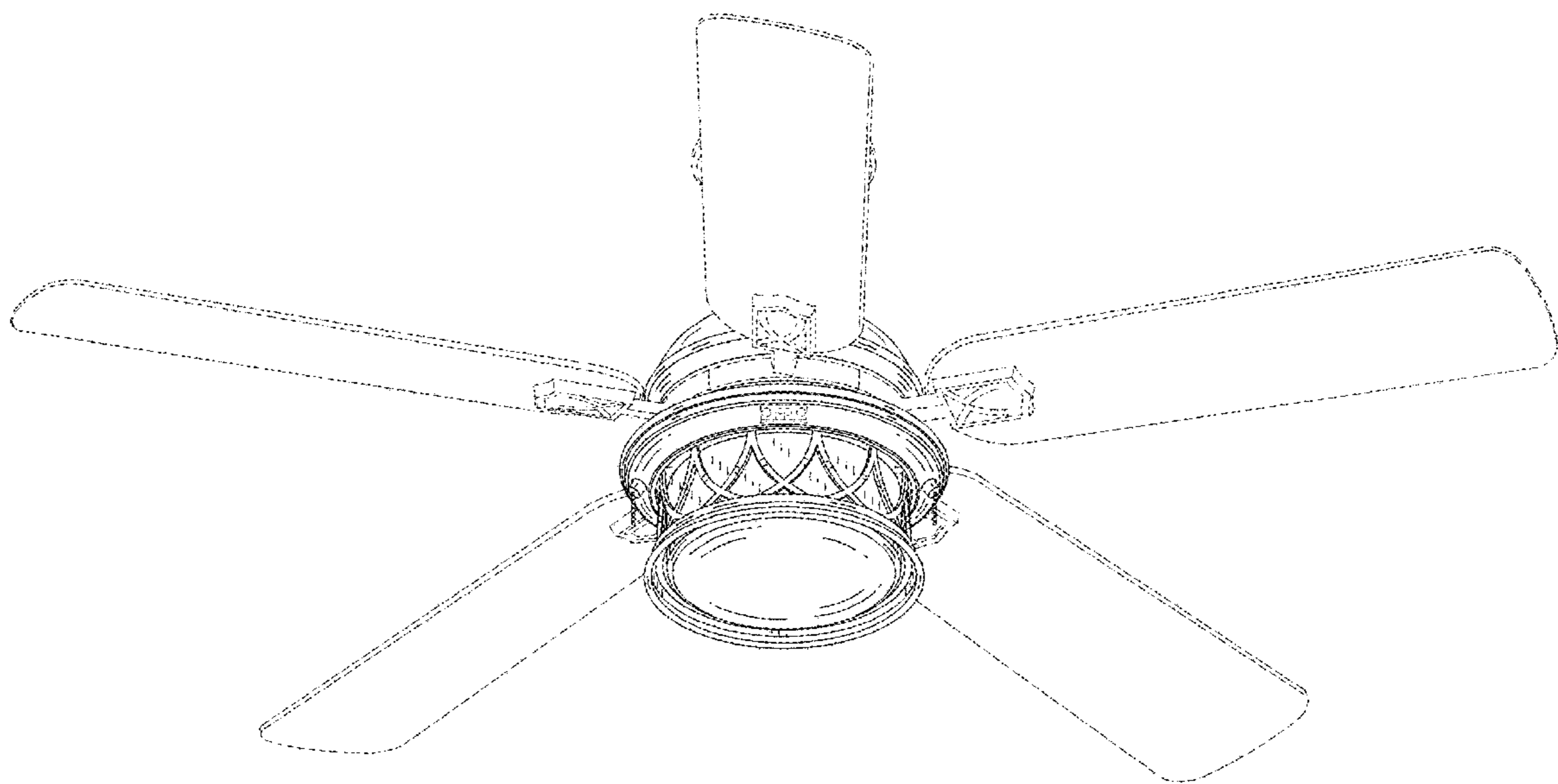
(57) **CLAIM**

The ornamental design for a ceiling fan housing with light, as shown and described.

**DESCRIPTION**

FIG. 1 is a perspective view of the present design; FIG. 2 is an enlarged front view of the present design; FIG. 3 is an enlarged rear view of the present design; FIG. 4 is an enlarged left side view of the present design; FIG. 5 is an enlarged right side view of the present design; FIG. 6 is an enlarged top view of the present design; FIG. 7 is an enlarged bottom view of the present design; and, FIG. 8 is an enlarged perspective view of the present design. The broken lines in the drawings illustrate portions of the ceiling fan housing with light and form no part of the claimed design.

**1 Claim, 8 Drawing Sheets**



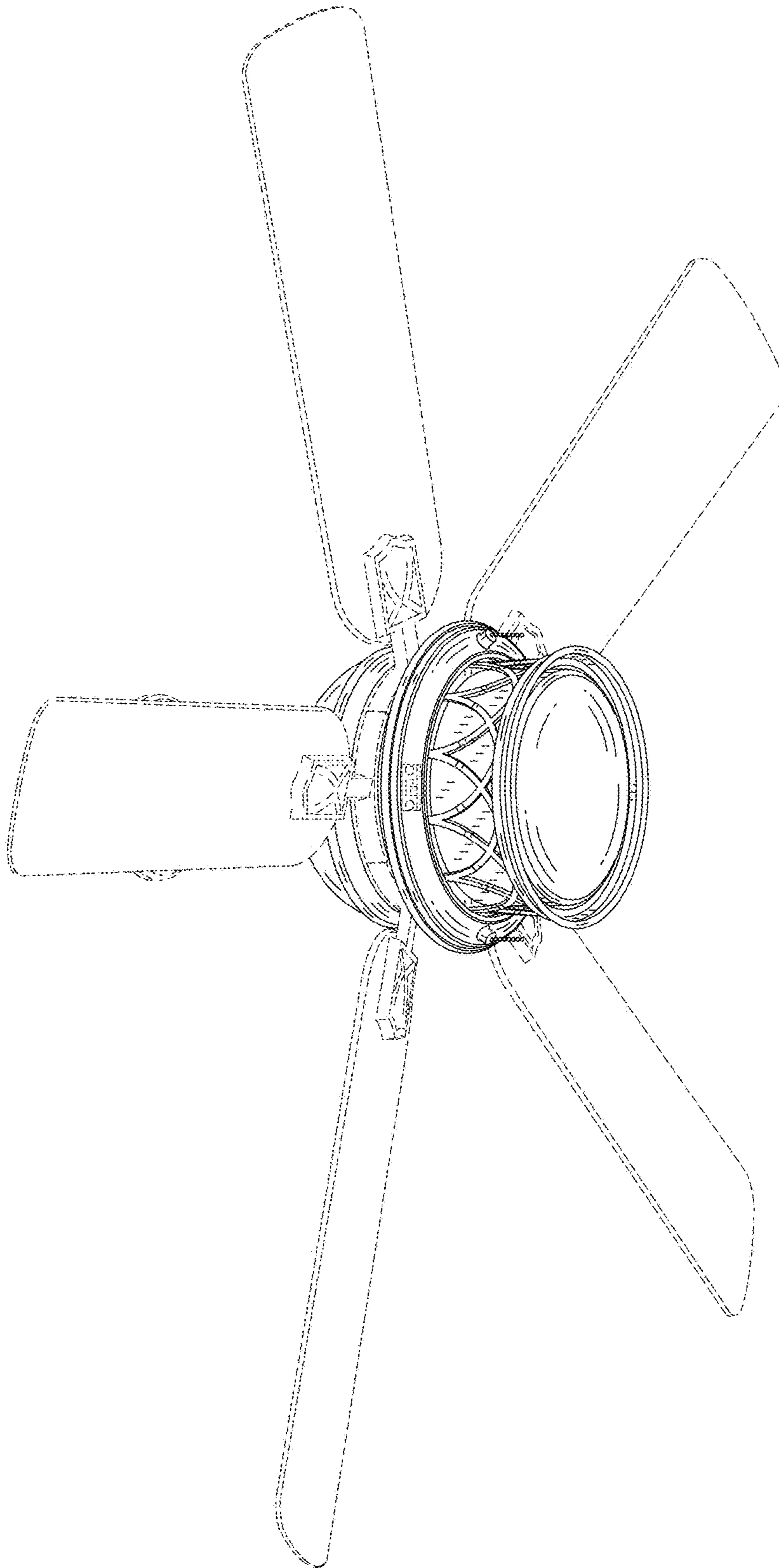


FIG. 1

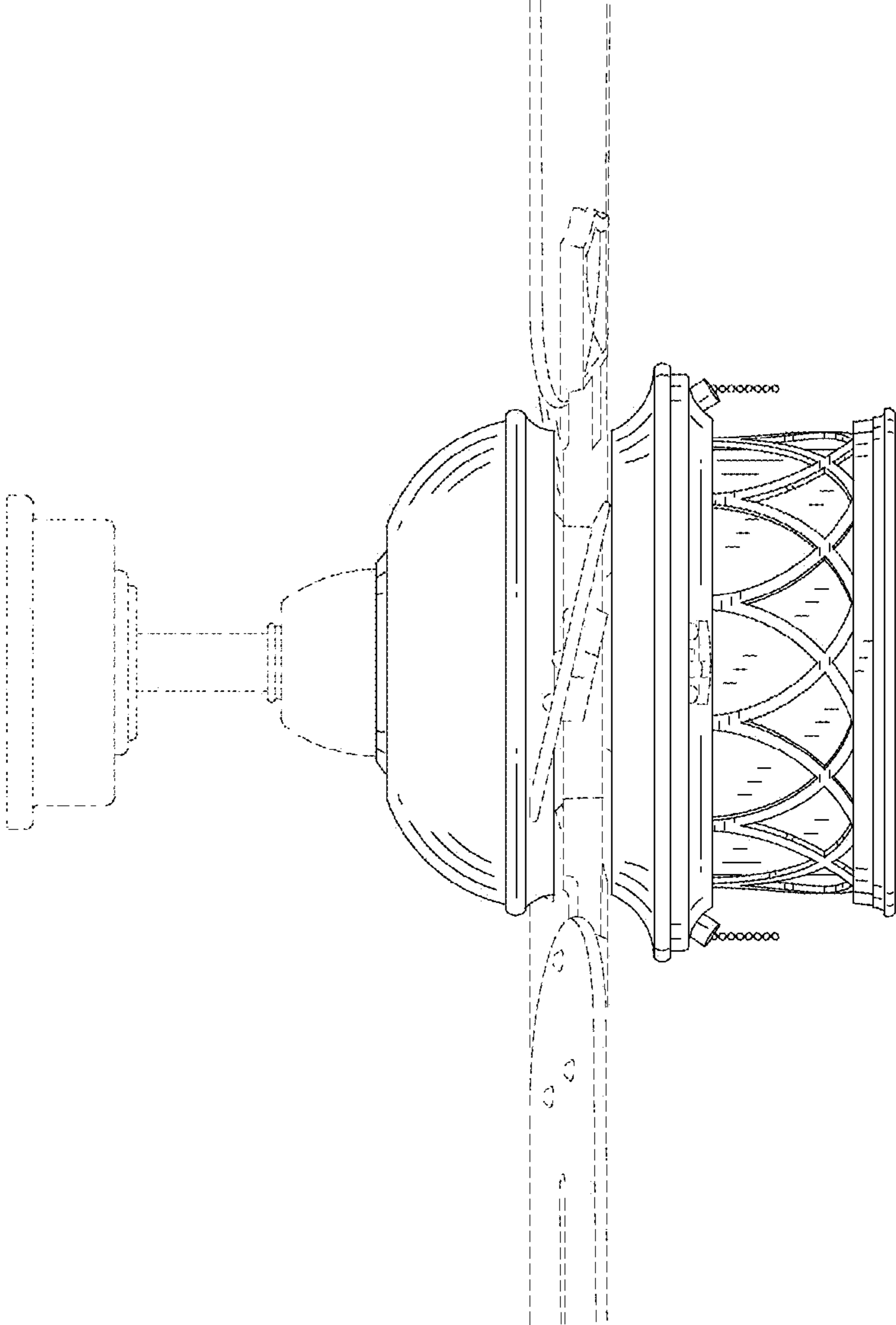


FIG. 2

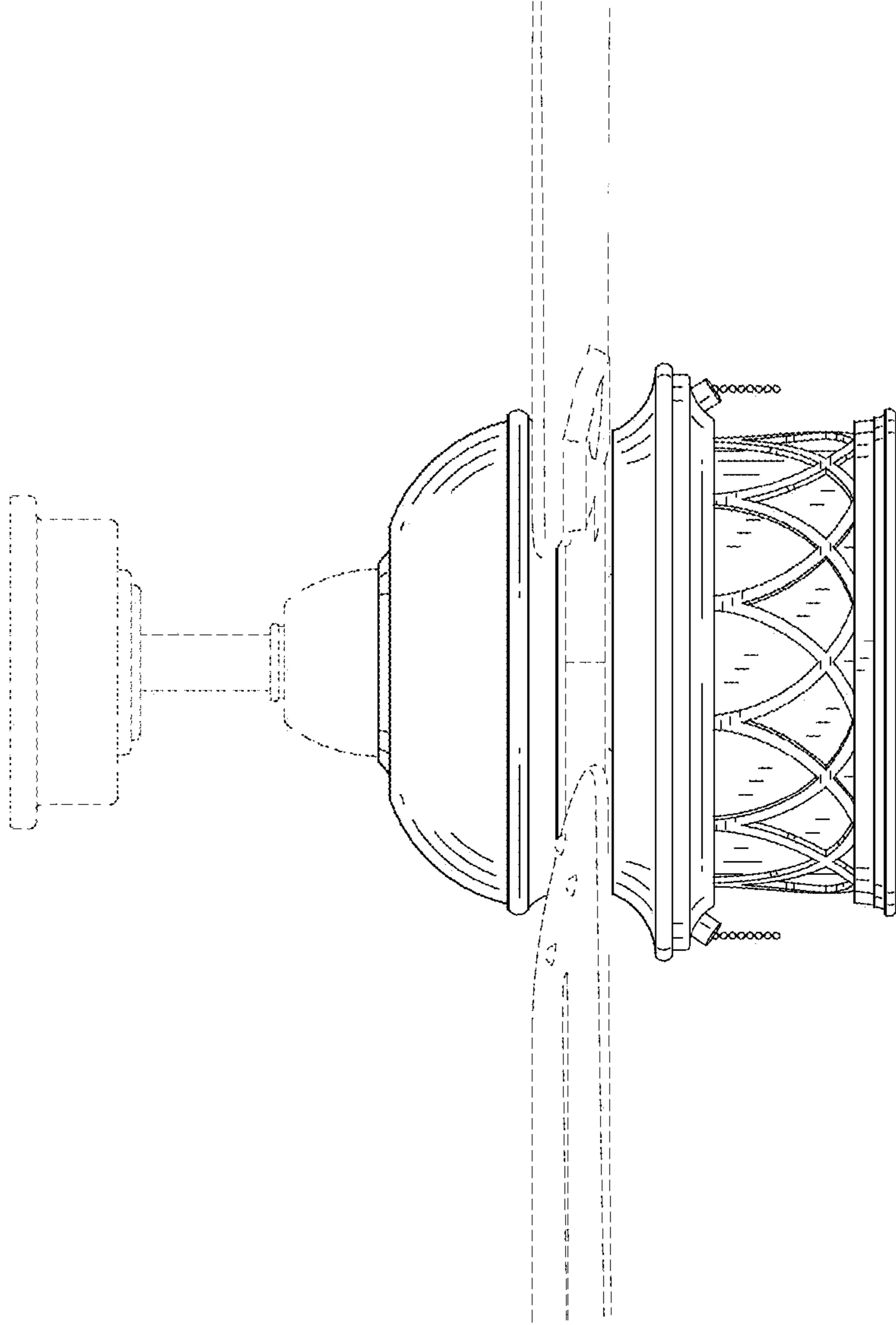


FIG. 3

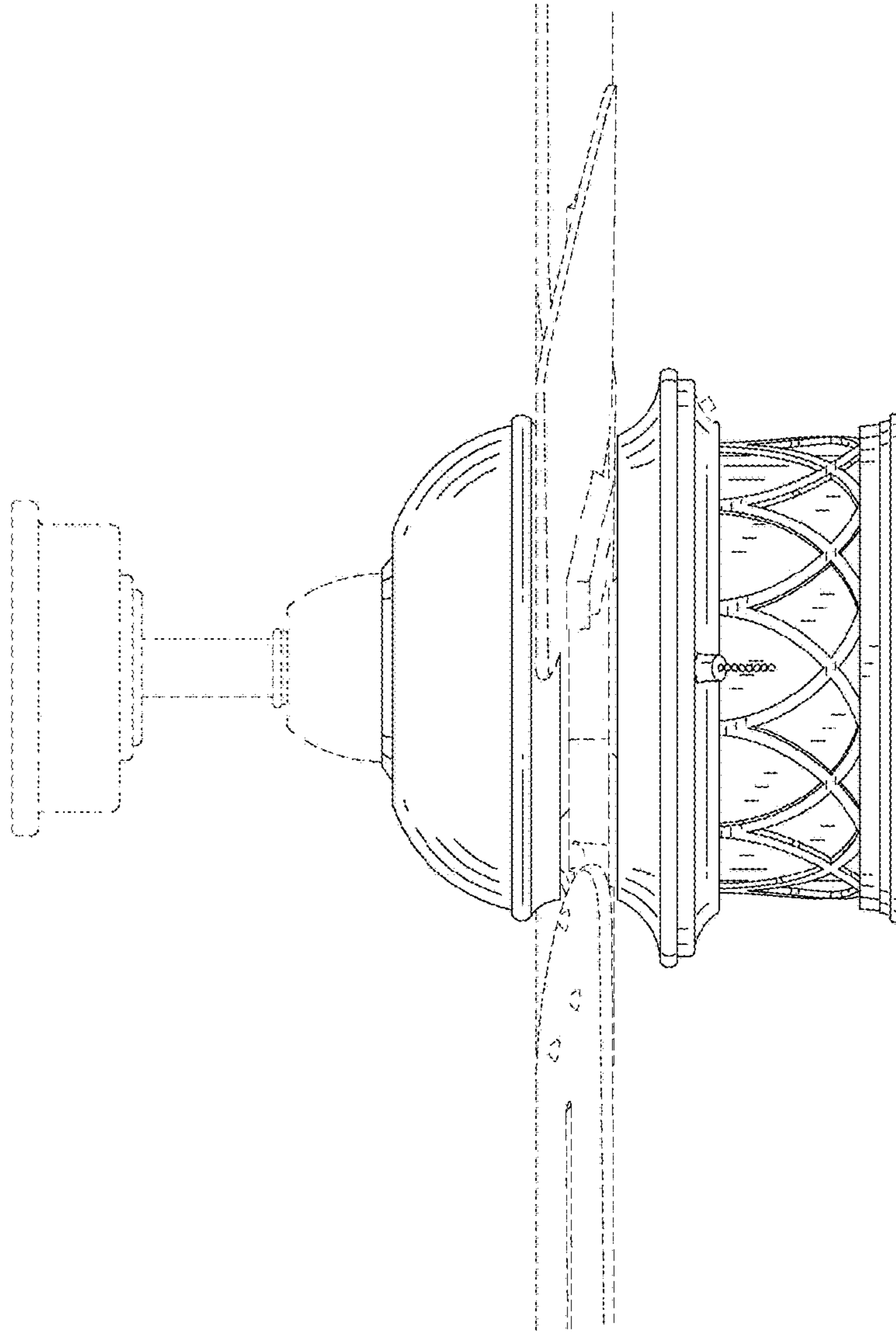


FIG. 4

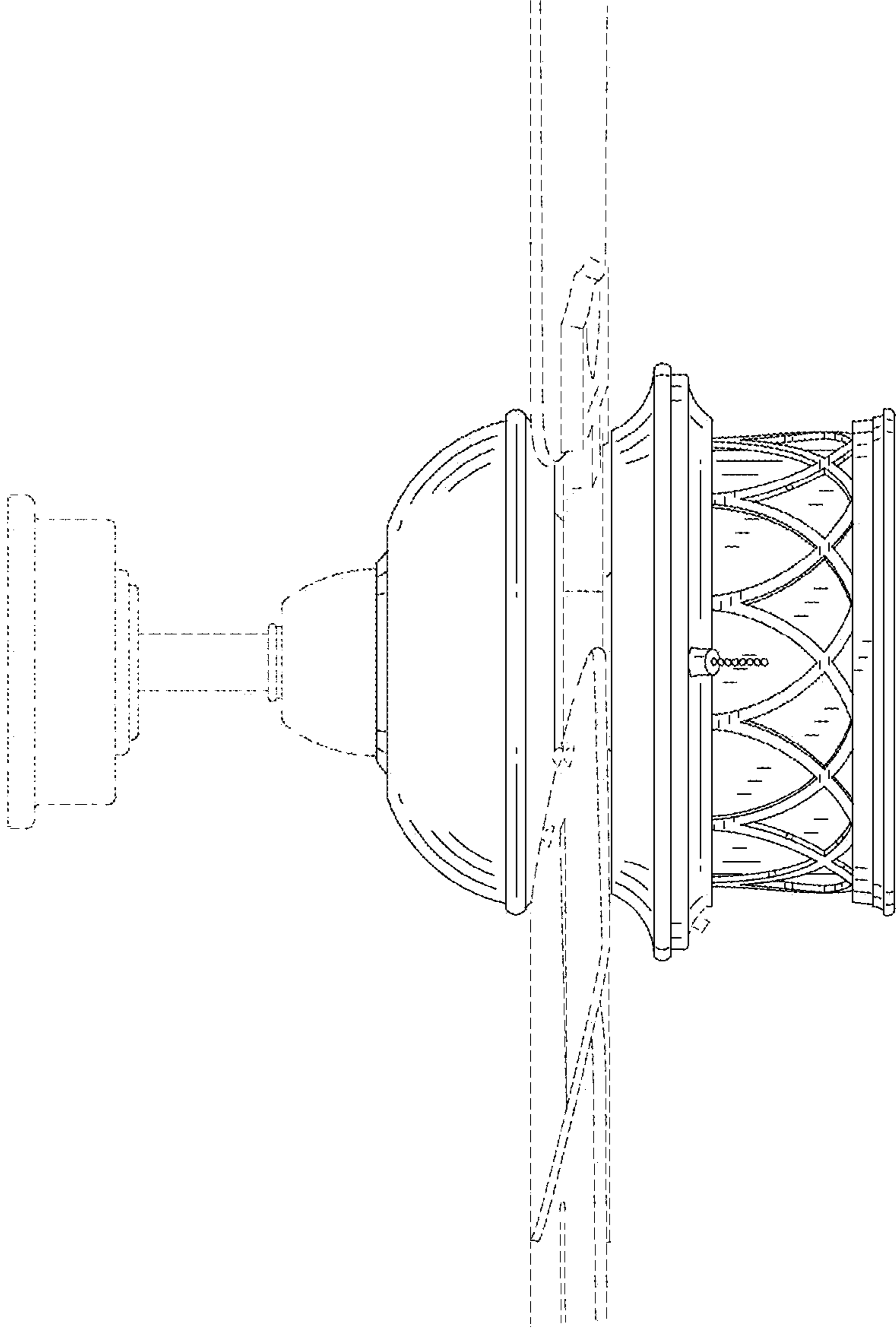


FIG. 5

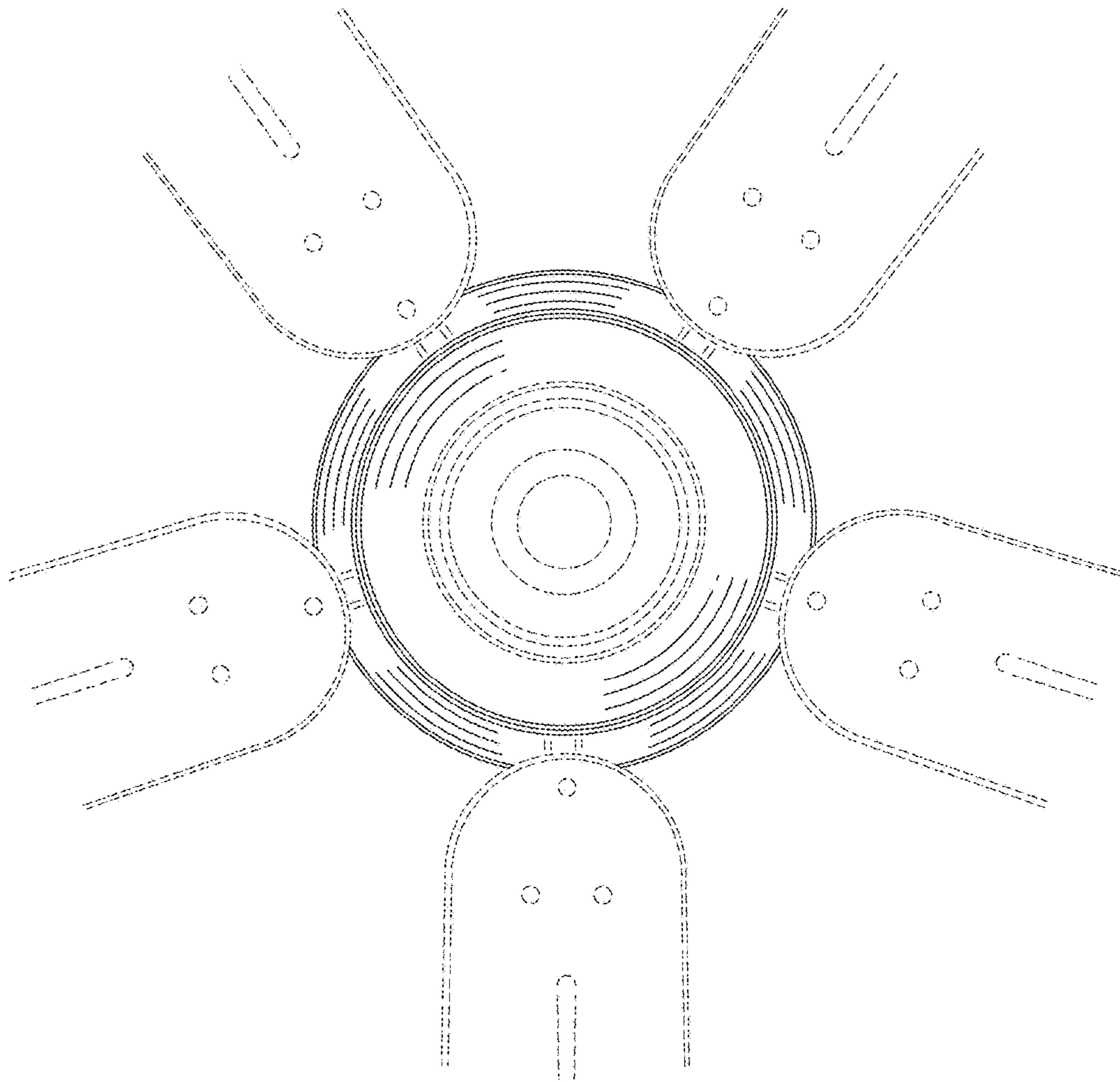


FIG. 6

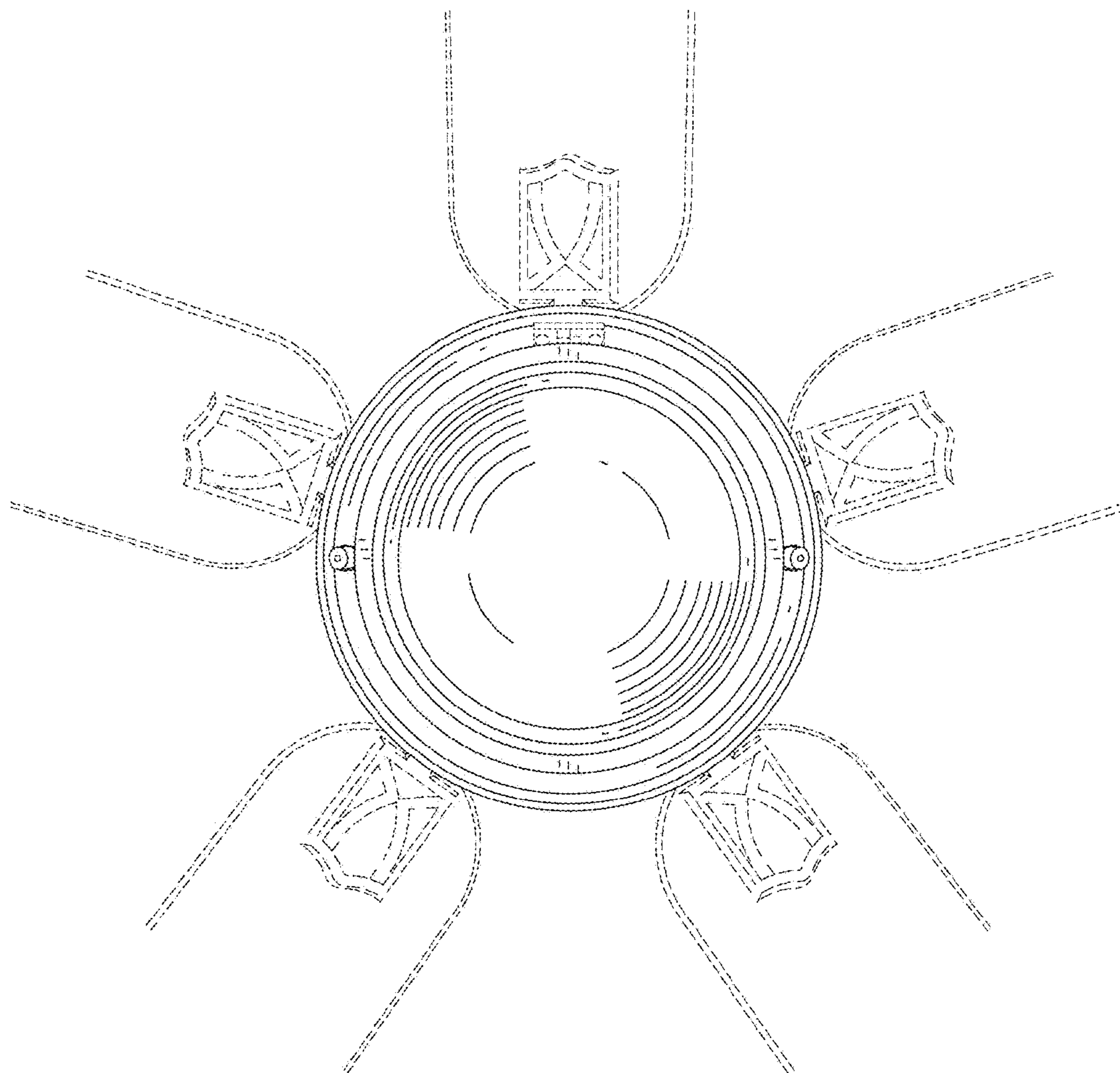


FIG. 7



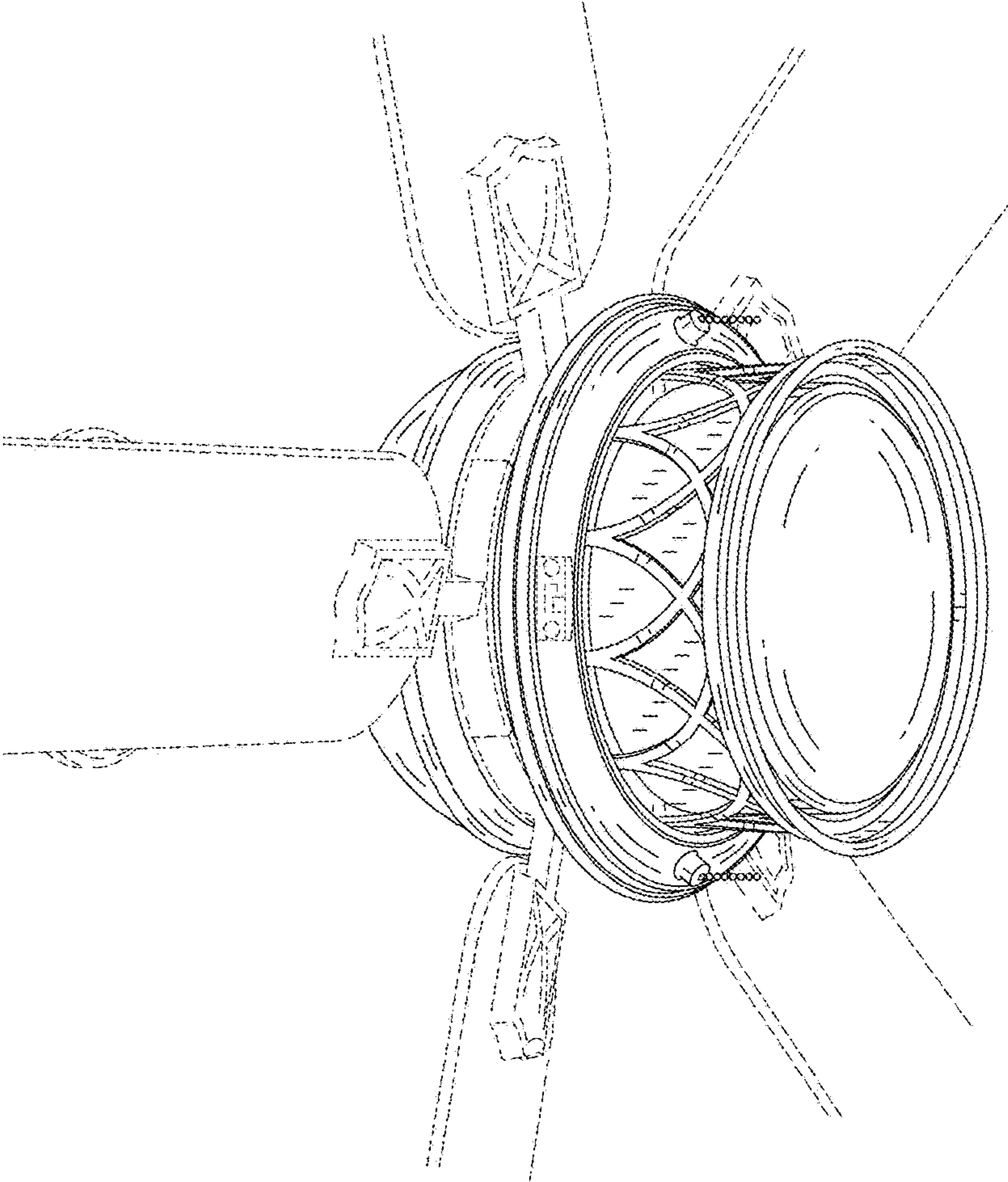


FIG. 8