



US00D819033S

(12) **United States Design Patent**  
**Duran et al.**

(10) **Patent No.:** **US D819,033 S**

(45) **Date of Patent:** **\*\* May 29, 2018**

(54) **DATA LOGGER**

(71) Applicant: **Arcelik Anonim Sirketi**, Tuzla Istanbul (TR)

(72) Inventors: **Nihat Duran**, Tuzla Istanbul (TR);  
**Dogac C. Sagirosmanoglu**, Tuzla Istanbul (TR)

(73) Assignee: **Arçelik Anonim Şirketi**, Istanbul (TR)

(\*\*) Term: **15 Years**

(21) Appl. No.: **29/597,734**

(22) Filed: **Mar. 20, 2017**

(30) **Foreign Application Priority Data**

Jan. 24, 2017 (EM) ..... 003703131-0001

(51) **LOC (11) Cl.** ..... **14-02**

(52) **U.S. Cl.**  
USPC ..... **D14/385**

(58) **Field of Classification Search**

USPC ..... D14/356–358, 383–385, 420, 426, 427,  
D14/432–439, 447, 453, 454, 217, 253,  
D14/299; D13/107, 108, 133, 146, 147,  
D13/152, 154, 156, 158, 162, 162.1, 168,  
D13/173, 177, 102; 235/441, 451, 492,  
235/380, 439, 375; 361/679.31, 600,  
361/679.01, 679.02

CPC .... G06C 20/347; G06C 20/322; G06C 40/02;  
G06C 30/06; G07F 7/0886

See application file for complete search history.

(56) **References Cited**

**U.S. PATENT DOCUMENTS**

D576,603 S \* 9/2008 Ohno ..... D14/167  
D592,177 S \* 5/2009 Dobbs ..... D14/158

D624,524 S \* 9/2010 Terzigni ..... D14/167  
D669,879 S \* 10/2012 Iijima ..... D14/167  
D688,226 S \* 8/2013 Morisawa ..... D14/167  
D700,606 S \* 3/2014 Lo ..... D14/385  
D709,854 S \* 7/2014 Pan ..... D14/159  
D719,127 S \* 12/2014 Nishiwaki ..... D14/167  
D736,207 S \* 8/2015 Bousfield ..... D14/385  
D740,286 S \* 10/2015 Templeton ..... D14/385  
D744,974 S \* 12/2015 Tang ..... D14/167  
D764,433 S \* 8/2016 Grothe ..... D14/167  
D766,866 S \* 9/2016 Cho ..... D14/167  
D766,901 S \* 9/2016 Nguyen ..... D14/385  
D797,740 S \* 9/2017 Nguyen ..... D14/385  
D798,903 S \* 10/2017 Isozaki ..... D14/496

\* cited by examiner

*Primary Examiner* — Austin Murphy

(74) *Attorney, Agent, or Firm* — Fox Rothschild LLP

(57) **CLAIM**

The service informant design for a data logger, as shown and described.

**DESCRIPTION**

FIG. 1 is a front-perspective view of a data logger according to the present invention.

FIG. 2 is a rear-perspective view thereof;

FIG. 3 is a right side view thereof;

FIG. 4 is a left side view thereof;

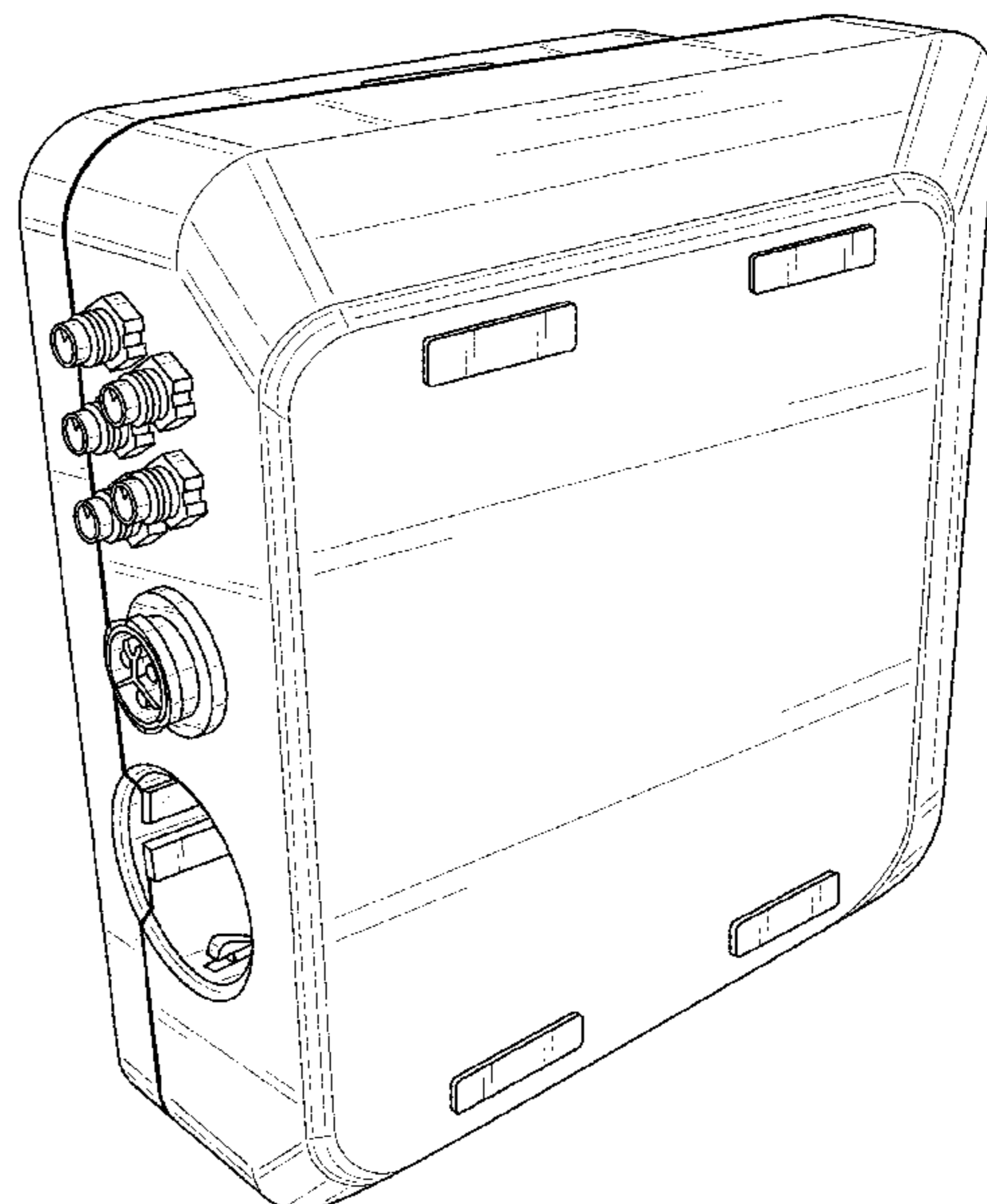
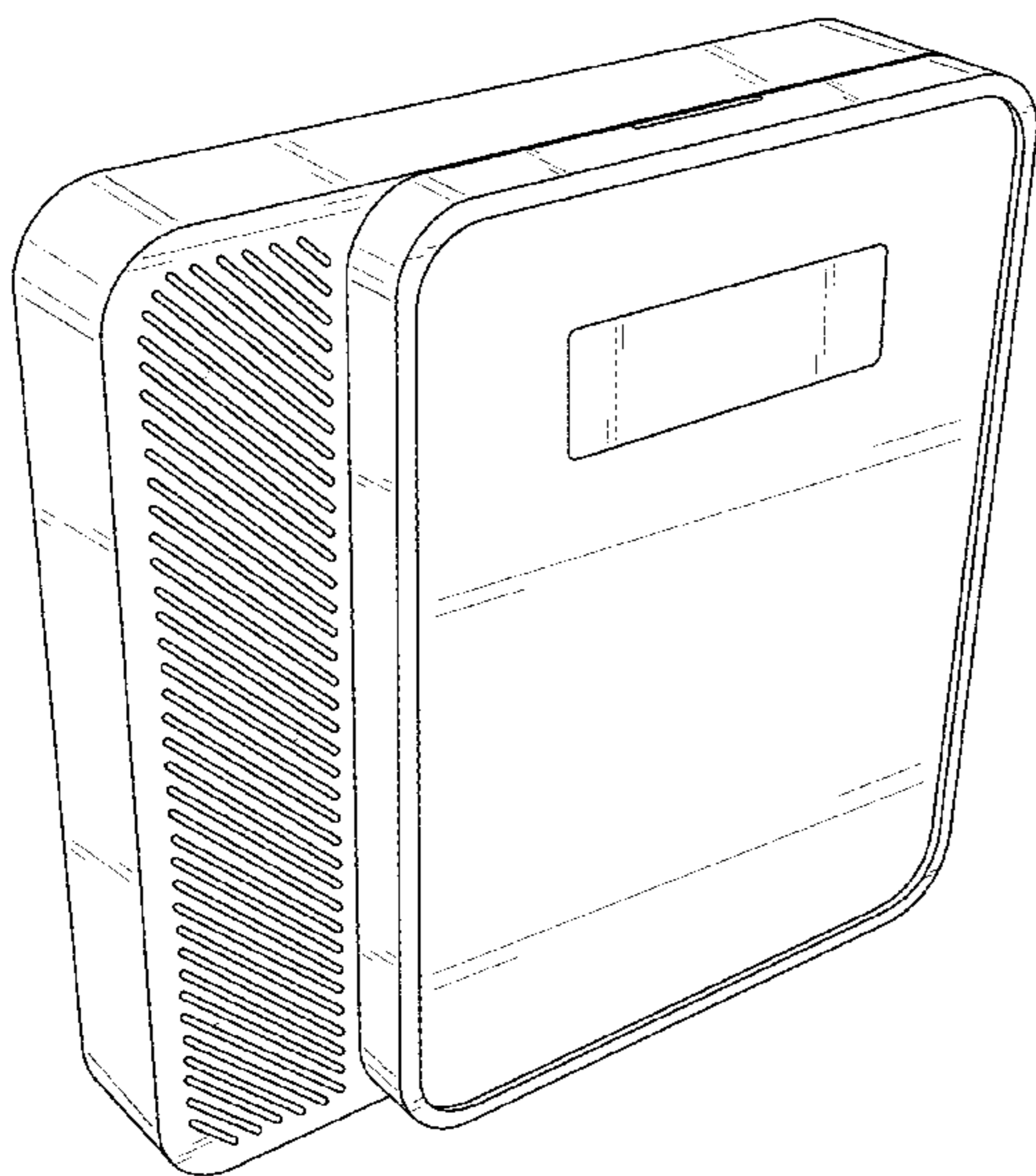
FIG. 5 is a front view thereof;

FIG. 6 is a rear view thereof;

FIG. 7 is a top plan view thereof; and,

FIG. 8 is a bottom plan view thereof.

**1 Claim, 8 Drawing Sheets**



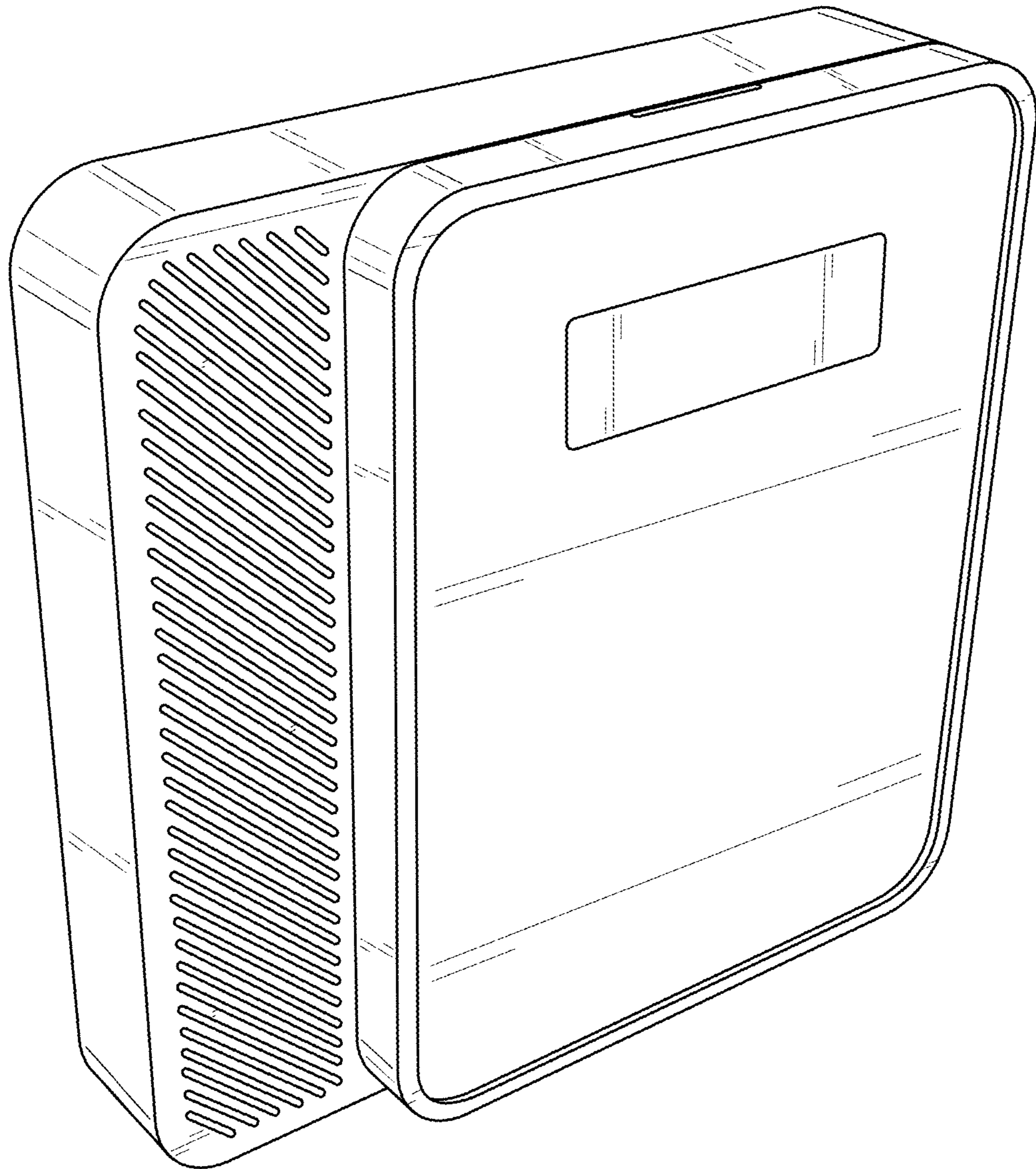


FIG. 1

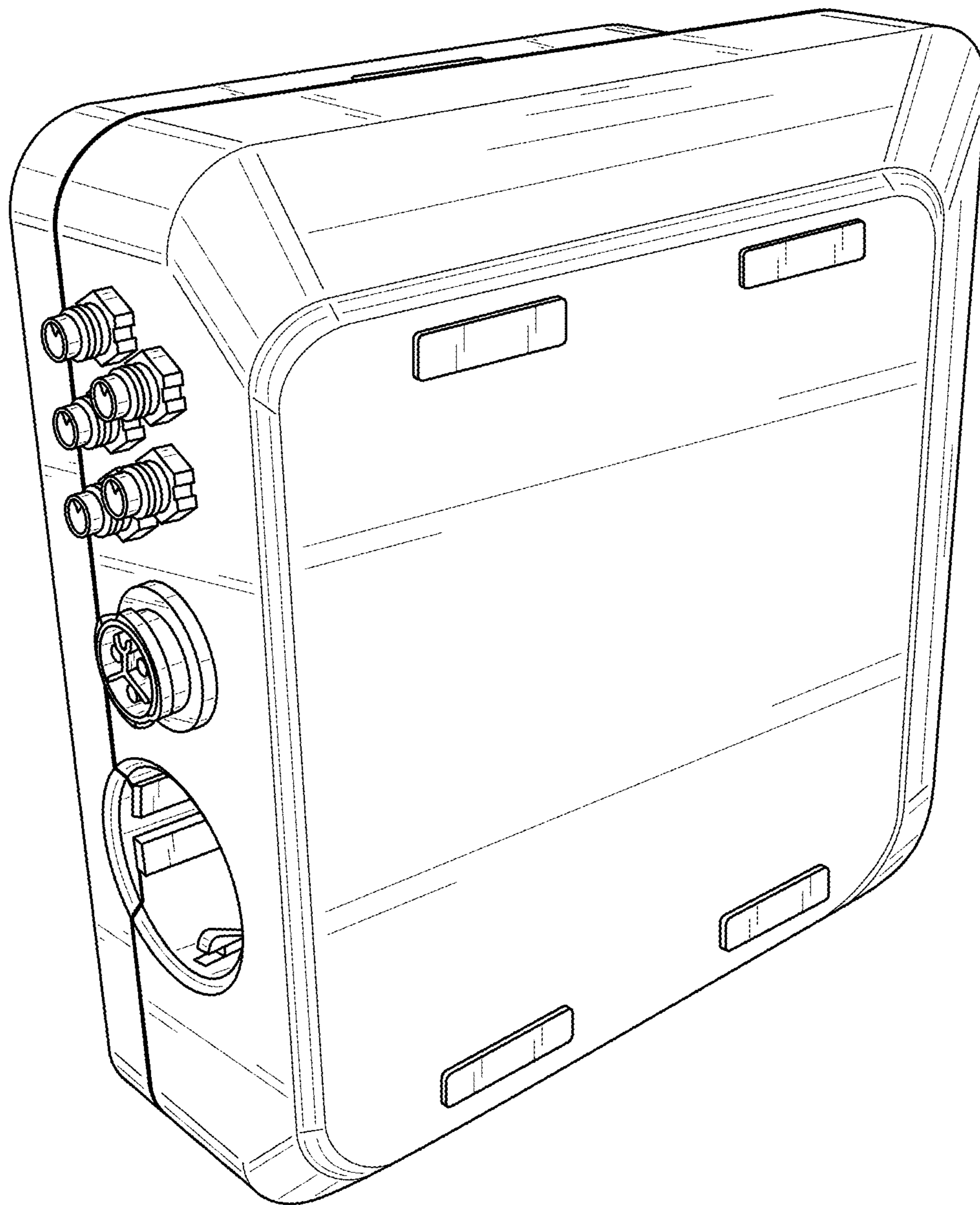


FIG. 2

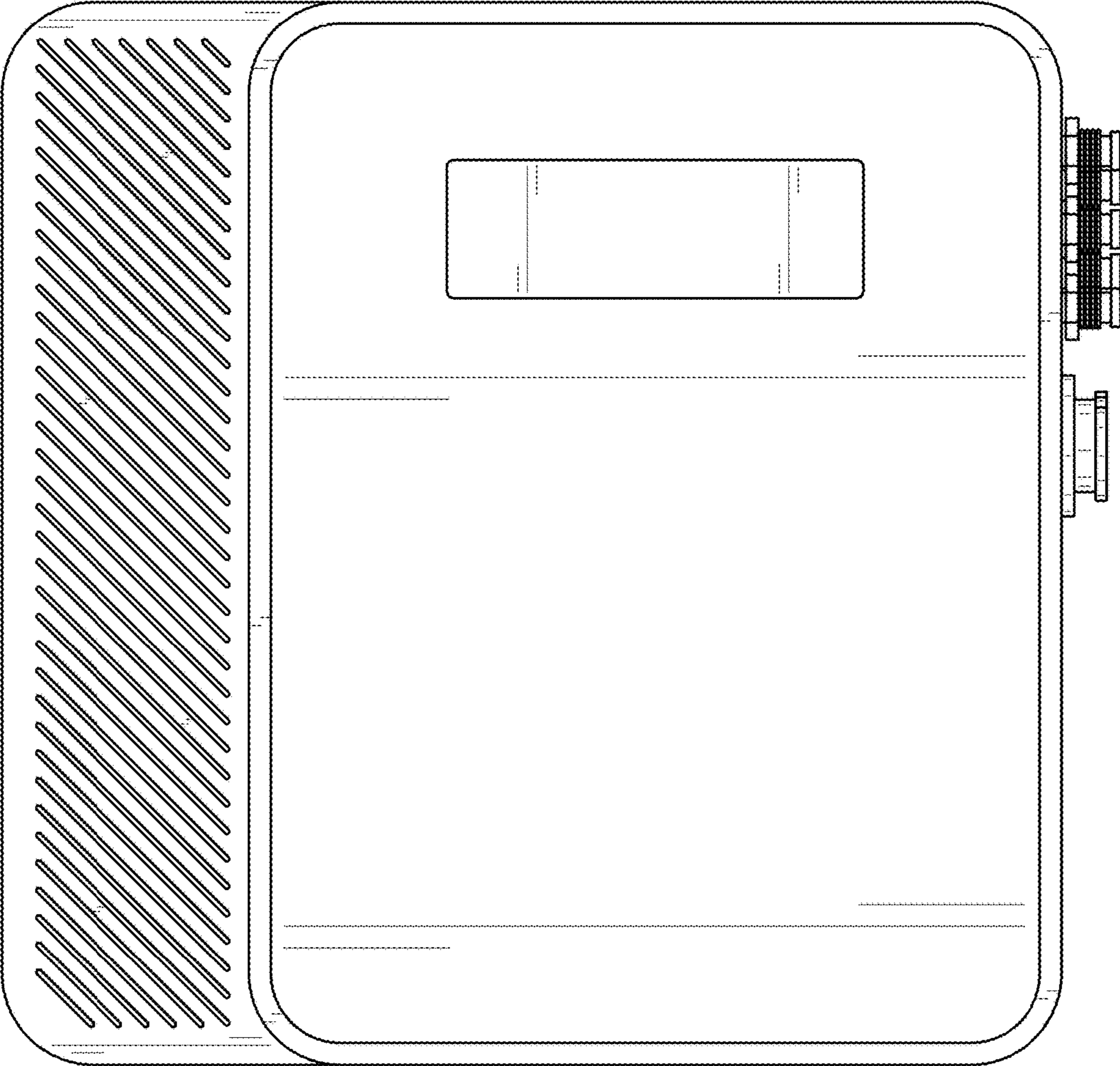


FIG. 3

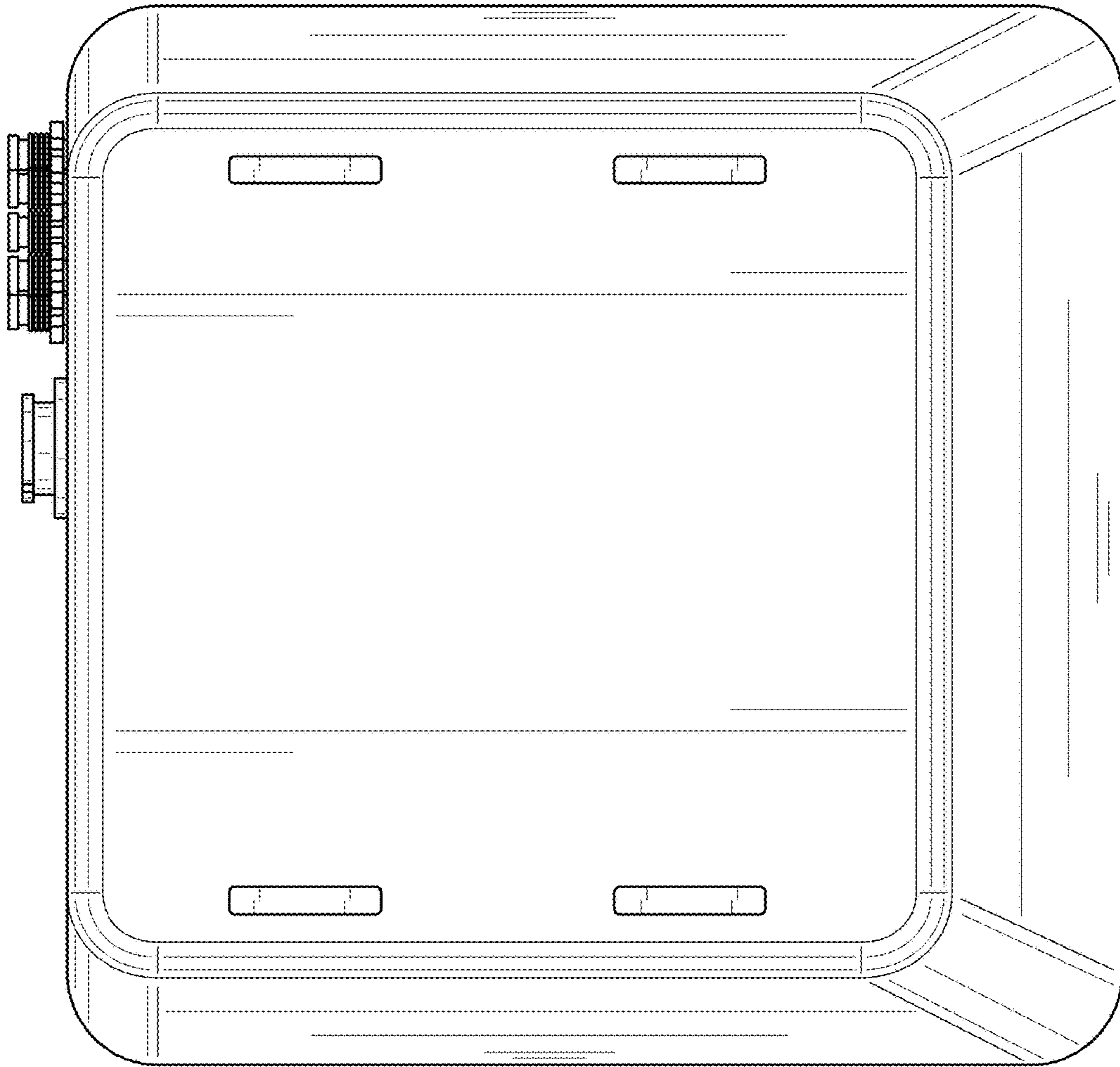


FIG. 4

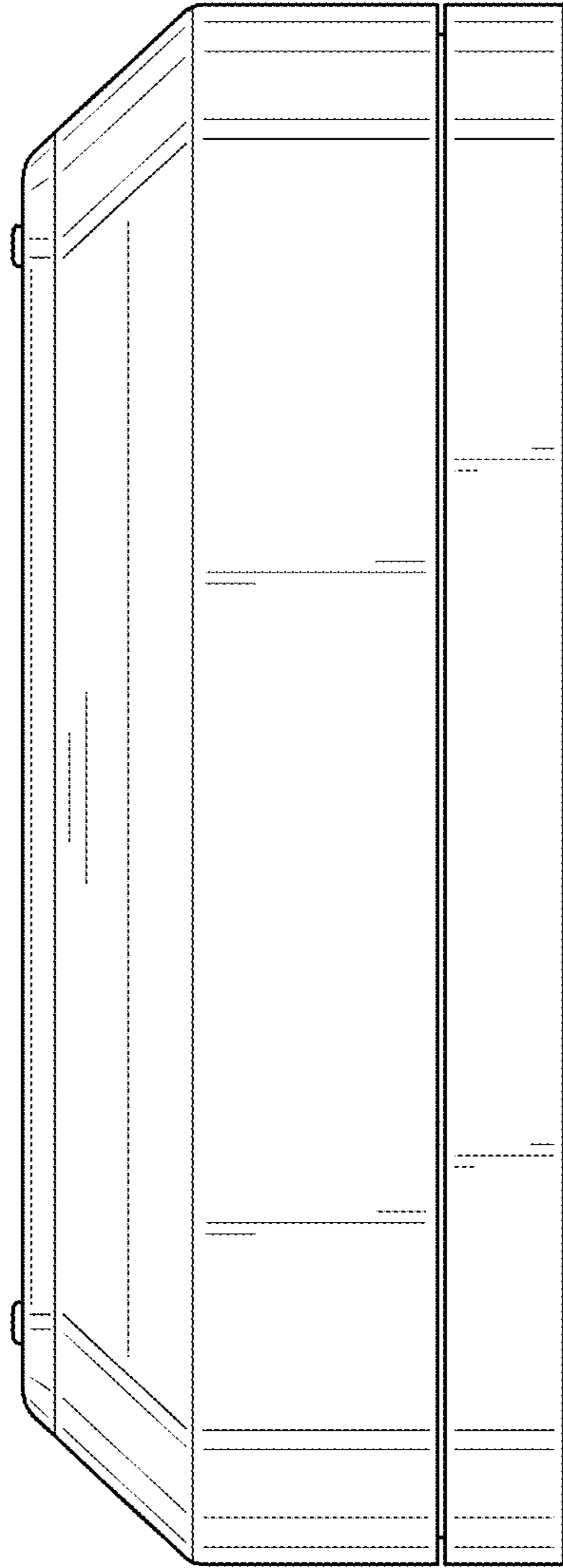


FIG. 5

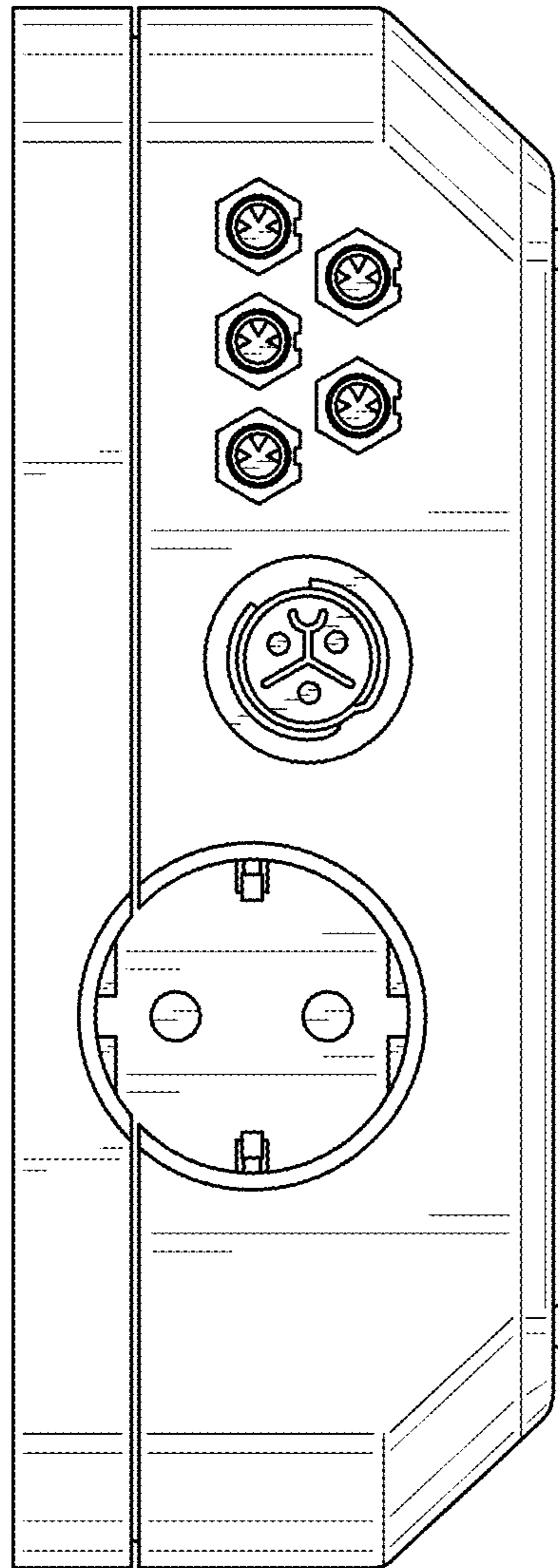


FIG. 6

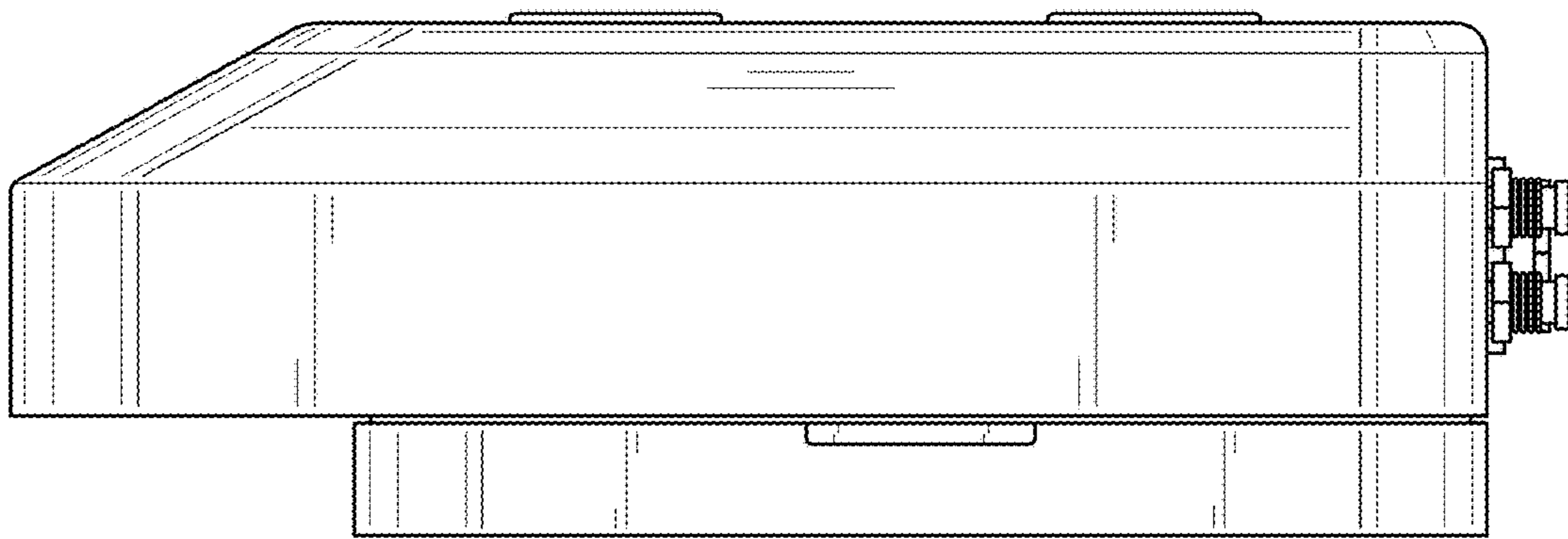


FIG. 7



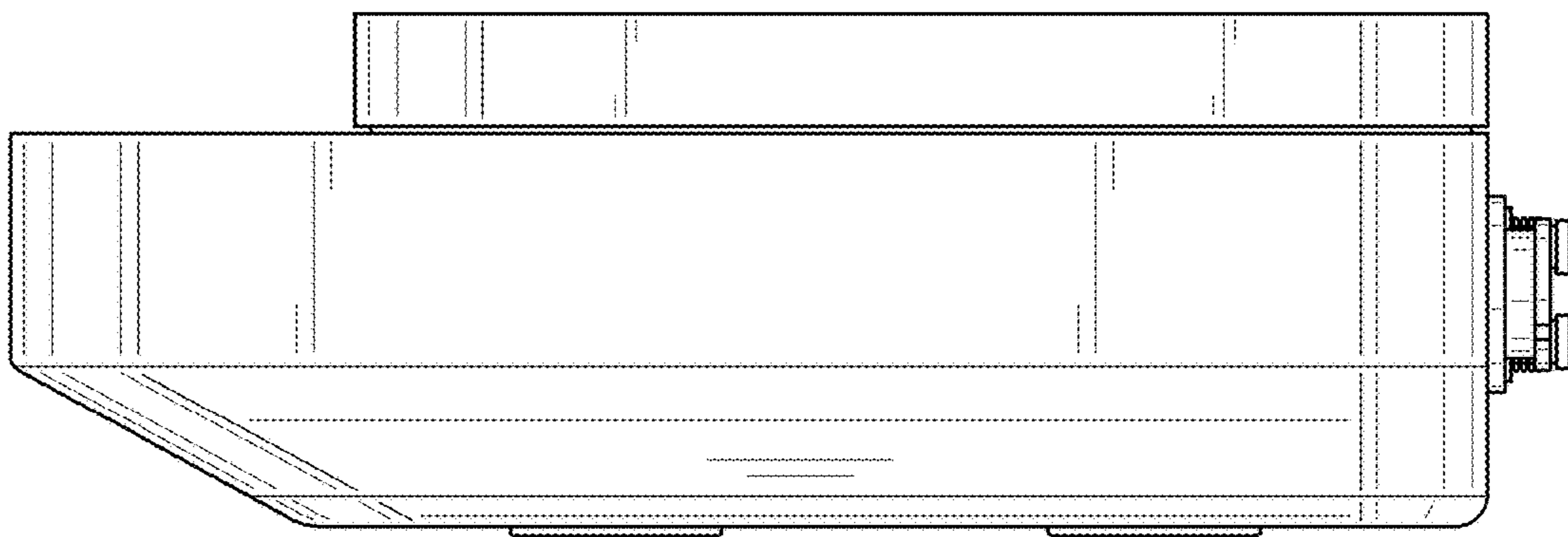


FIG. 8