



US00D819031S

(12) **United States Design Patent** (10) **Patent No.:** **US D819,031 S**  
**Seo et al.** (45) **Date of Patent:** **\*\* May 29, 2018**

(54) **MONITOR**

FOREIGN PATENT DOCUMENTS

(71) Applicant: **Samsung Electronics Co., Ltd.**,  
Suwon-si (KR)

KR 300783006 2/2015

(72) Inventors: **Young Jin Seo**, Seoul (KR); **Taeyeon Won**, Seoul (KR)

OTHER PUBLICATIONS

(73) Assignee: **SAMSUNG ELECTRONICS CO., LTD.**, Suwon-si (KR)

AKG, "BenQ XR3501 Curved 35" 144Hz Monitor Review", Hardware Canucks, <http://www.hardwarecanucks.com/forum/hardware-canucks-reviews/70741-benq-xr3501-curved-35-144hz-monitor-review.html> (Last accessed Feb. 28, 2017).

(\*\*) Term: **15 Years**

*Primary Examiner* — Freda S Nunn

(21) Appl. No.: **29/595,518**

(74) *Attorney, Agent, or Firm* — McAndrews Held & Malloy, Ltd.

(22) Filed: **Feb. 28, 2017**

(30) **Foreign Application Priority Data**

(57) **CLAIM**

Sep. 1, 2016 (KR) ..... 30-2016-0043060

The ornamental design for a monitor, as shown and described.

(51) **LOC (11) Cl.** ..... **14-02**

**DESCRIPTION**

(52) **U.S. Cl.**

USPC ..... **D14/374**

(58) **Field of Classification Search**

USPC ..... D14/371-375, 125-129, 336, 337;

D6/300, 308; D19/113, 114; D20/10

CPC ..... G09F 15/0025; G09F 15/0062; G09F

15/0068; G06F 1/16; G06F 1/1613; G06F

1/133308; G06F 1/1601; G06F 3/037;

G06F 1/162; F16M 11/02; F16M 11/10;

F16M 11/00; F16M 11/06; F16M 11/18;

F16M 11/045; F16M 11/105; F16M

11/041; F16M 11/126; F16M 11/04;

F16M 11/24; F16M 13/02; A47F 5/00

See application file for complete search history.

FIG. 1 is a front perspective view of a monitor showing our new design;

FIG. 2 is a front elevation view thereof;

FIG. 3 is a rear elevation view thereof;

FIG. 4 is a left side elevation view thereof;

FIG. 5 is a right side elevation view thereof;

FIG. 6 is a top plan view thereof;

FIG. 7 is a bottom plan view thereof;

FIG. 8 is a rear perspective view thereof; and,

FIG. 9 is an enlarged view of the portion encircled in FIG. 8.

The short dash-dash lines that are immediately adjacent the shaded areas and define unshaded regions represent the bounds of the claim and are not included in the claim. All other short dash-dash broken lines are directed to environment and are for illustrative purposes only. The dot-dot-dash broken lines encircling portions of the claimed design that are illustrated in enlargements form no part of the claimed design. All of the broken lines throughout the views form no part of the claimed design.

(56) **References Cited**

U.S. PATENT DOCUMENTS

D573,118 S \* 7/2008 Yang ..... D14/126

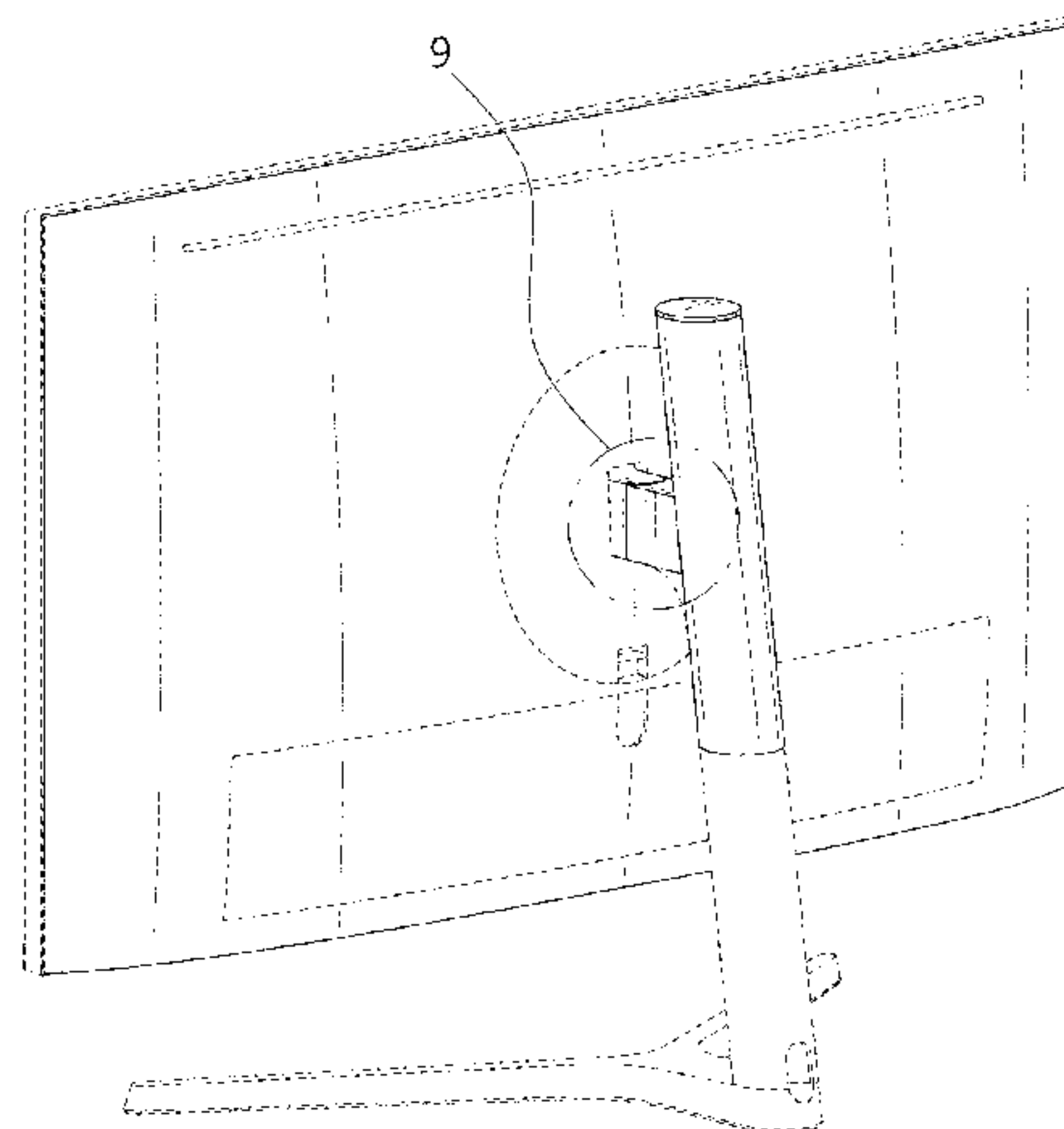
D653,254 S \* 1/2012 Lu ..... D14/374

D669,077 S \* 10/2012 McManigal ..... D14/374

D712,397 S 9/2014 Akana et al.

(Continued)

**1 Claim, 9 Drawing Sheets**



(56)

**References Cited**

U.S. PATENT DOCUMENTS

D727,898 S *	4/2015	Yum	.....	D14/374
D752,587 S *	3/2016	Gong	.....	D14/375
2002/0020792 A1 *	2/2002	Lee	.....	F16M 11/10 248/278.1
2006/0237599 A1 *	10/2006	Ternus	.....	F16M 11/10 248/176.1
2013/0044411 A1 *	2/2013	Zhen	.....	F16M 11/041 361/679.01

\* cited by examiner

FIG. 1

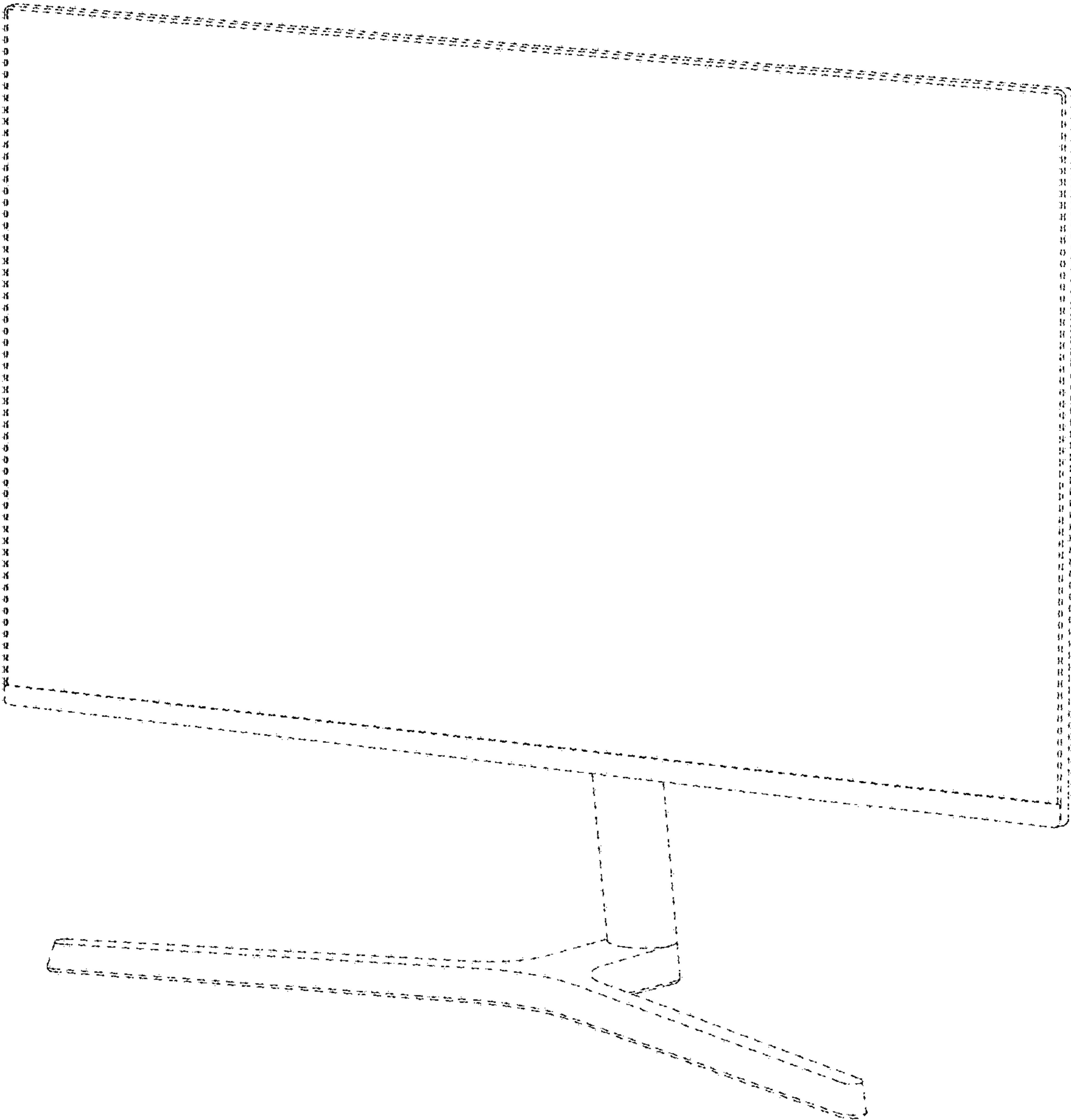


FIG. 2

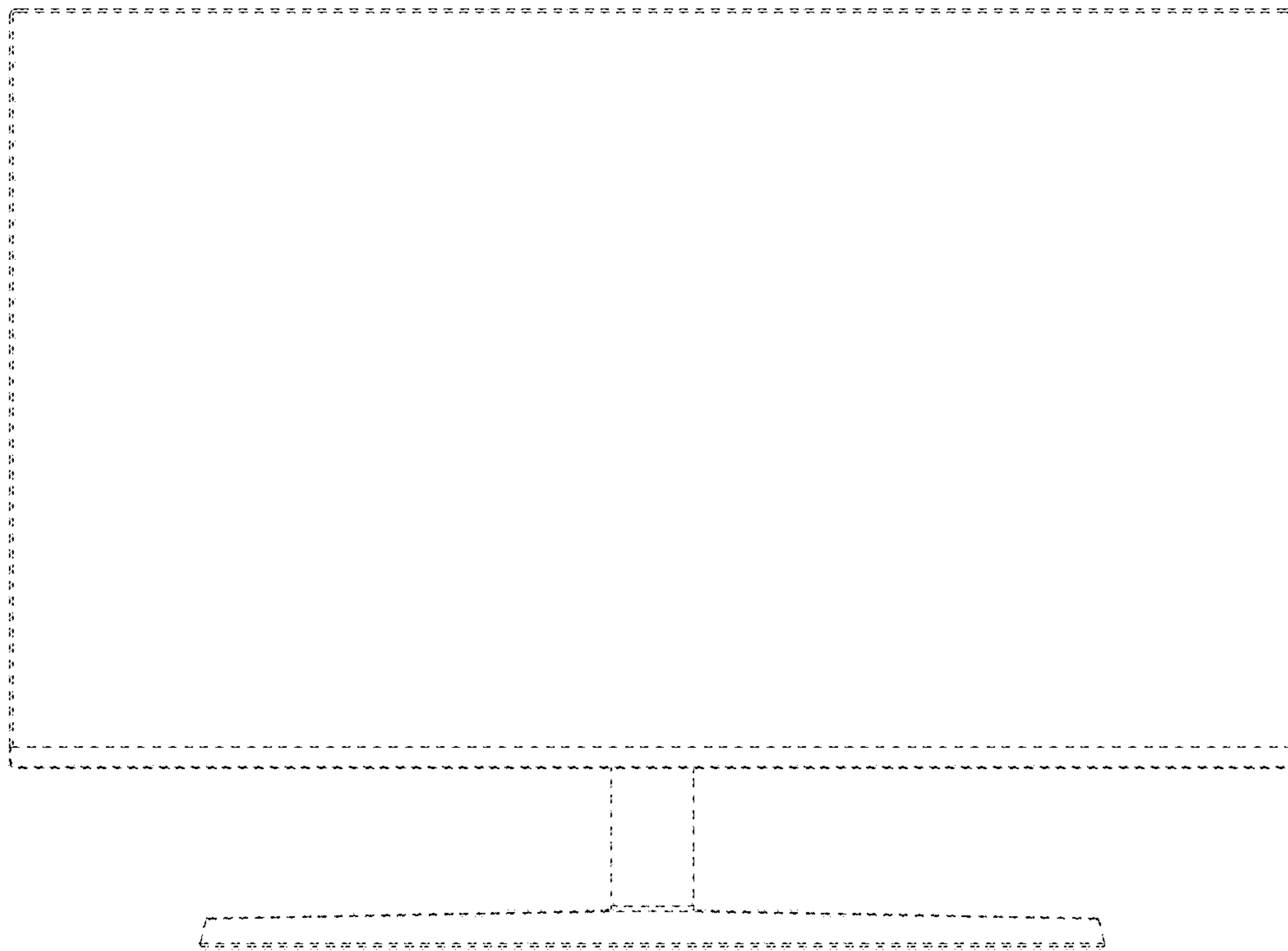


FIG. 3

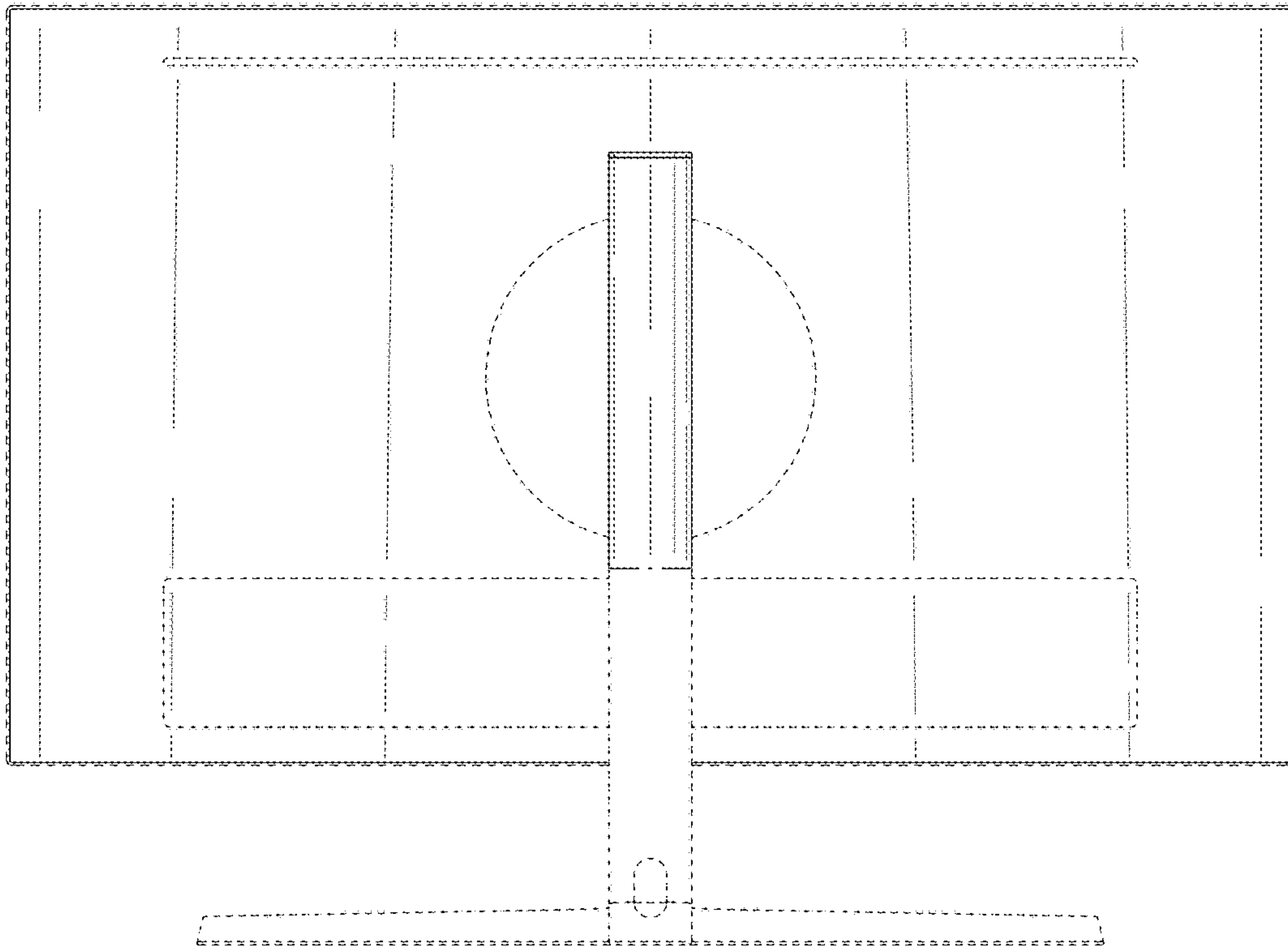


FIG. 4

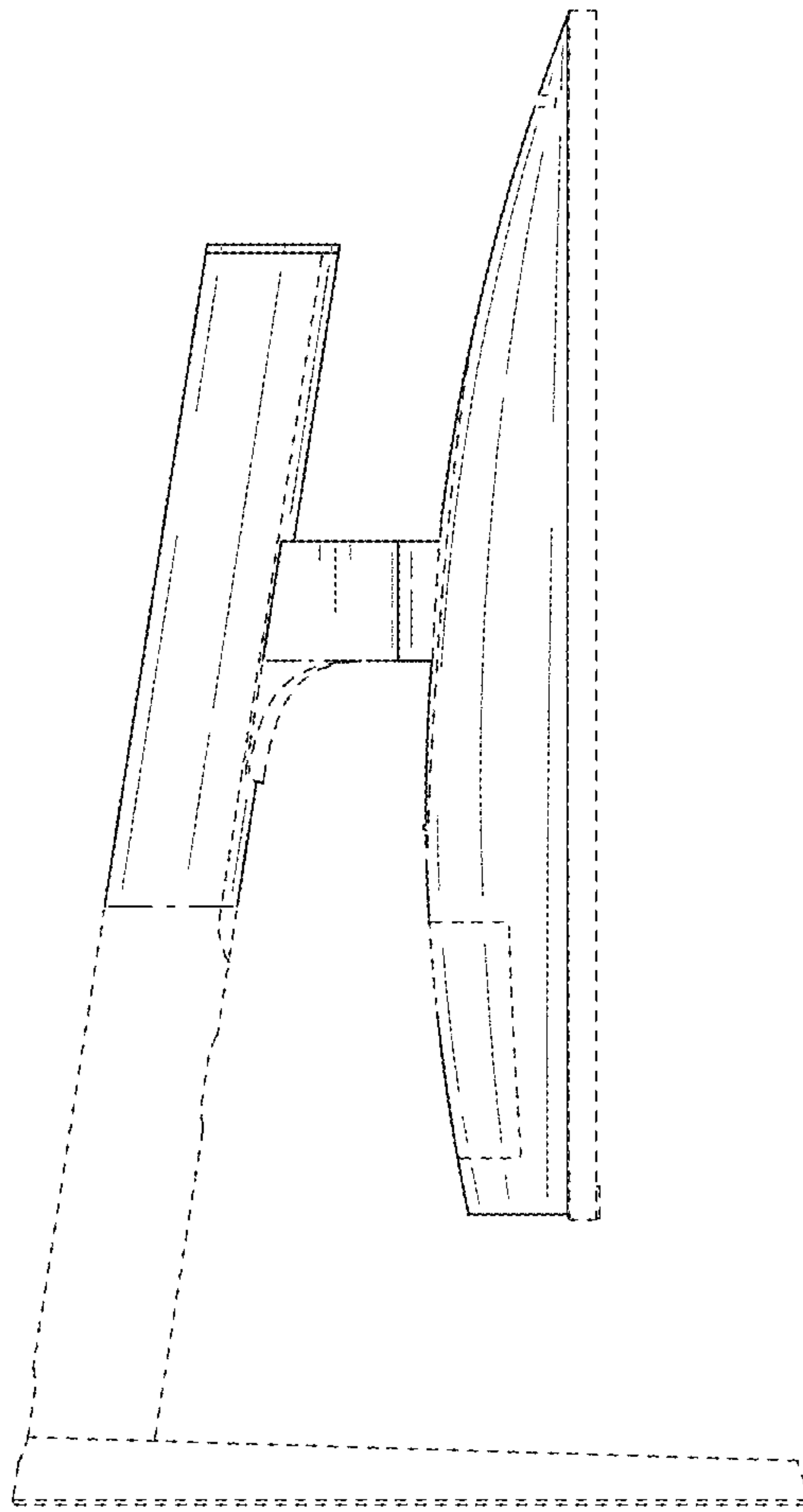


FIG. 5

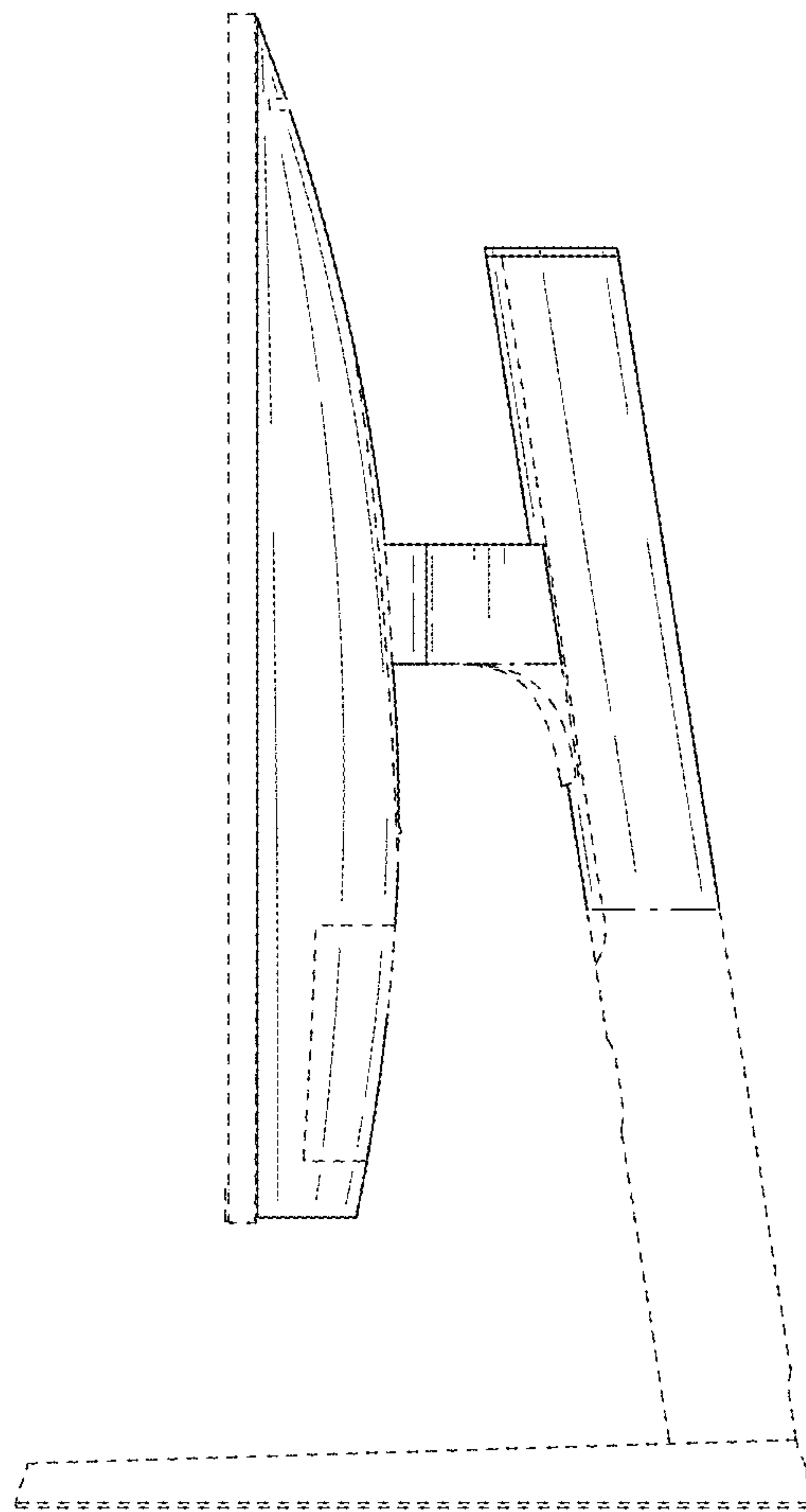


FIG. 6

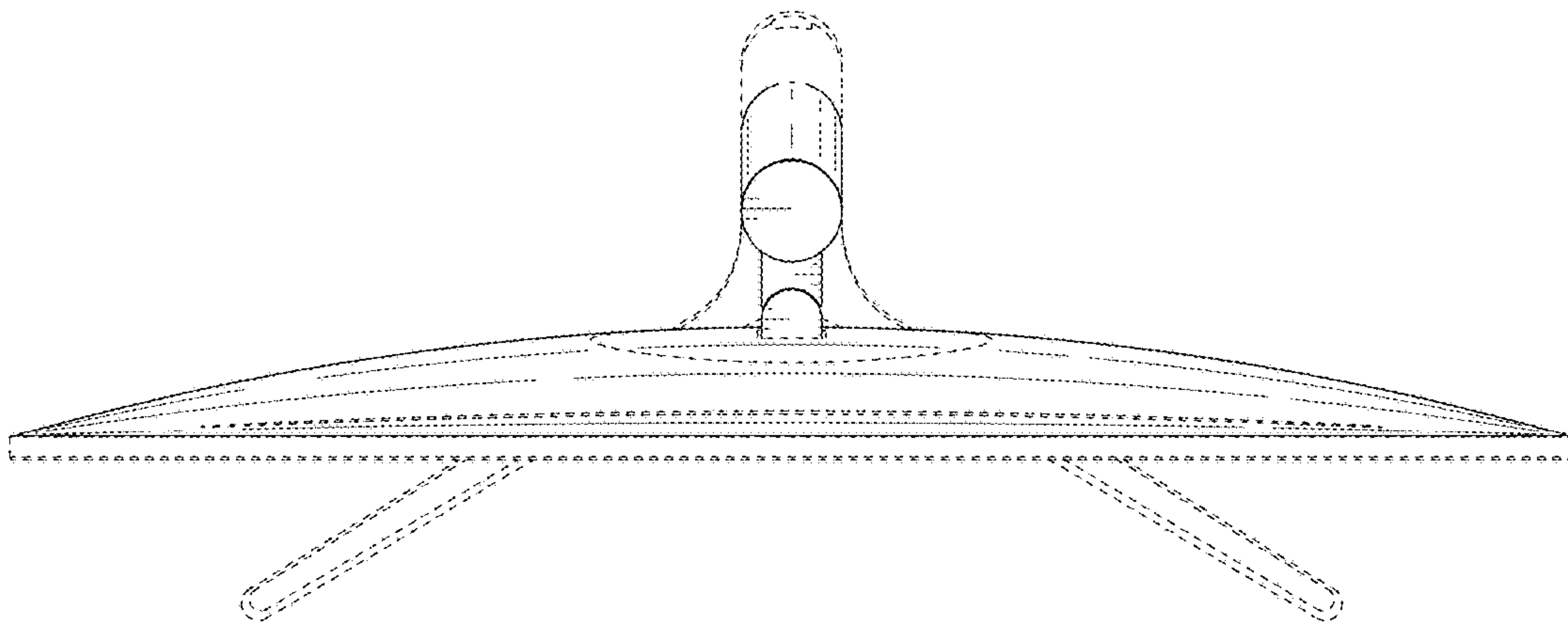




FIG. 7

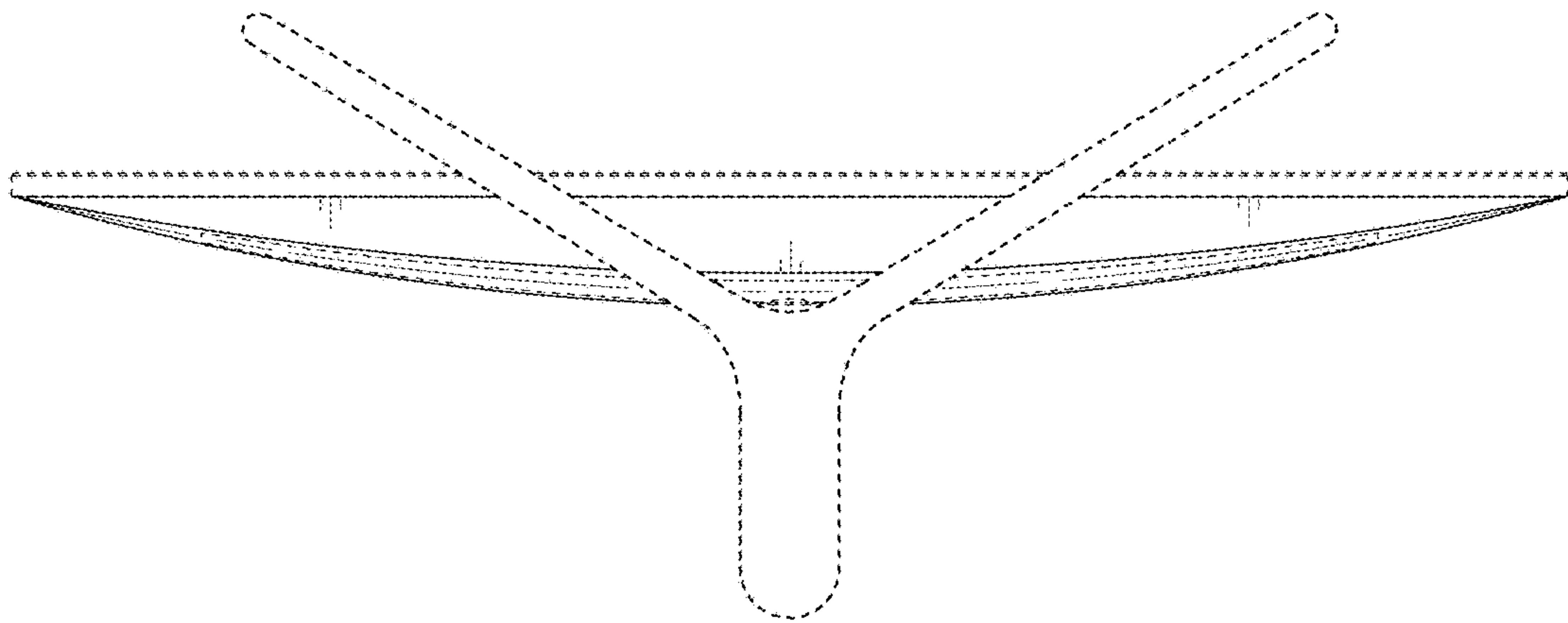


FIG. 8

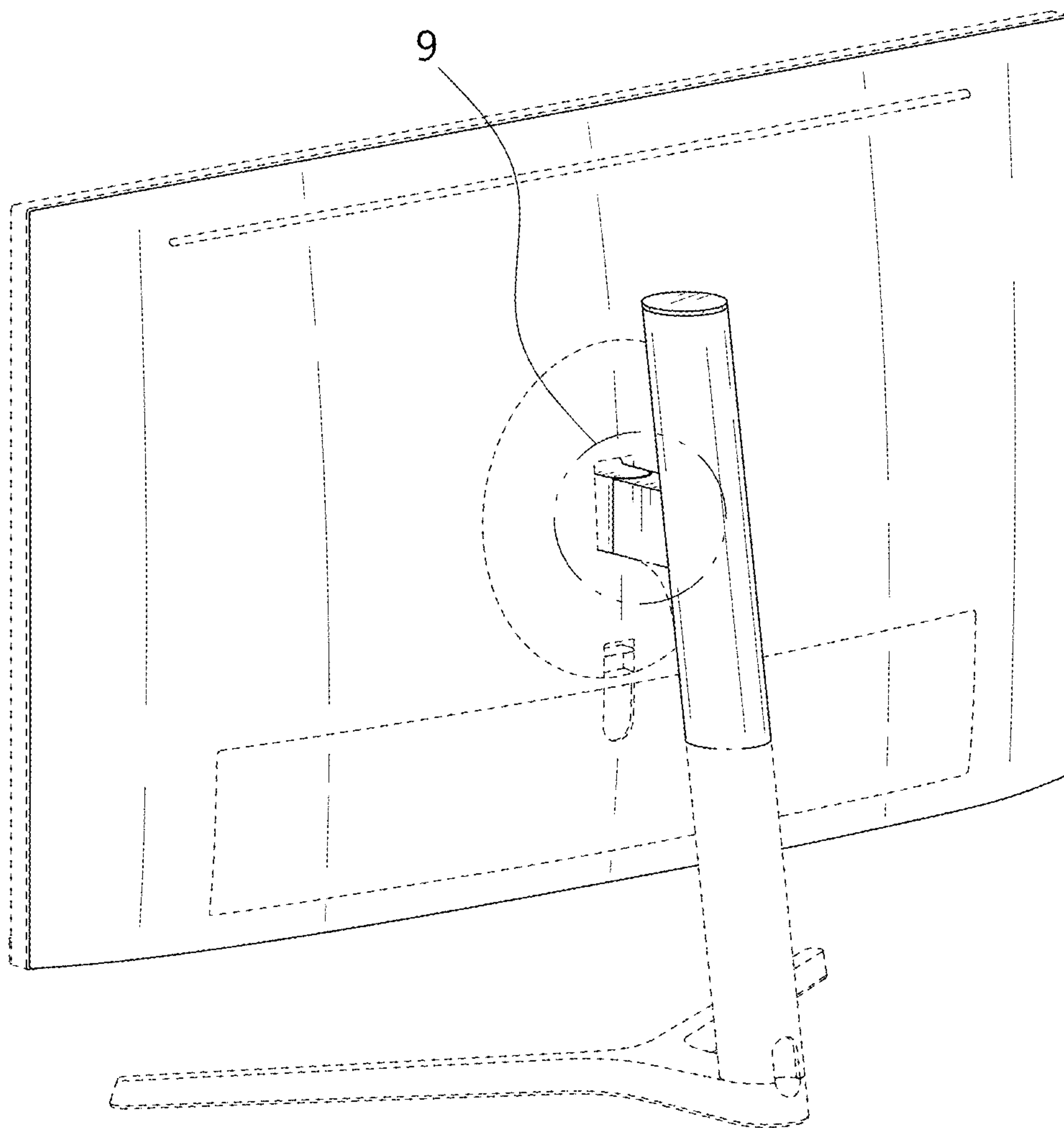


FIG. 9

